

Table of Contents

6.1 Introduction	6.1-1
6.2 Symbol	6.2-1
6.3 Circuit Fault Diagnosis	6.3-1
Diagnostic Procedure	6.3-1
Diagnostic Tools	6.3-2
Fault Testing	6.3-3
Repair Tools	6.3-5
Wiring Harness Terminal Repair	6.3-7
6.4.1 Integrated Electronic Parking Brake System (Including ESP)	6.4.1-1
Integrated Electronic Parking Brake System (Including ESP)	6.4.1-1
Power Supply/EPB Central Box Switch Box	6.4.1-2
Central Box Switch Box (Low Configuration)	6.4.1-3
Front Wheel Speed Sensor	6.4.1-4
EPB Actuator Motor/Rear Wheel Speed Sensor	6.4.1-5
6.4.2 Electronic Power Steering	6.4.2-1
Electronic Power Steering	6.4.2-1
6.4.3 Cooling System	6.4.3-1
Cooling System	6.4.3-1
Radiator Fan	6.4.3-2
Electric Auxiliary Water Pump/Coolant Temperature Sensor	6.4.3-3
6.4.4 Fuel System	6.4.4-1
Fuel System	6.4.4-1
6.4.5 Ignition System	6.4.5-1
Ignition System	6.4.5-1
6.4.6 Starting System	6.4.6-1
Starting System	6.4.6-1
6.4.7 Charging System	6.4.7-1
Charging System	6.4.7-1
6.4.8 Electronic Control System	6.4.8-1
Electronic Control System	6.4.8-1
Power Supply	6.4.8-4
Brake Switch/Accelerator Pedal Sensor	6.4.8-5
Carbon Canister Stop Valve/Front Oxygen Sensor	6.4.8-6
Rear Oxygen Sensor/Carbon Canister Solenoid Valve/Intake OCV/Exhaust OCV/ Air Intake Pressure Discharge Valve	6.4.8-7
Fuel Tank Pressure Sensor/Exhaust Bypass Actuator/Oil Pressure Alarm Assembly	6.4.8-8

Table of Contents

Knock Sensor/PCJ Control Valve/Variable Displacement Oil Pump/ Coolant Temperature Sensor	6.4.8-9
ACC Self-adaptive Cruise/Electric Wiring Harness Conduit/Air Intake Temperature/ Pressure Sensor/Fuel Rail Pressure Sensor/Boost Pressure/Temperature Sensor/ Desorption Pressure Sensor	6.4.8-10
Intake Camshaft Position Sensor/Exhaust Camshaft Position Sensor/Crankshaft Position Sensor/High Pressure Oil Pump/Electronic Throttle Position Sensor	6.4.8-11
6.4.9 Automatic Transmission	6.4.9-1
Automatic Transmission	6.4.9-1
Electronic Shift Actuator Controller/Electronic Shift Control Assembly/ Electronic Shift Actuator Controller	6.4.9-3
TCU Power Supply	6.4.9-4
Input Shaft 1 Speed Sensor - UMC/Input Shaft 2 Speed Sensor - UMC/ PRND Sensor/HCU/Oil Temperature Sensor	6.4.9-5
TCU/HCU	6.4.9-6
6.4.10 Heating, Ventilation and Air Conditioning	6.4.10-1
Heating, Ventilation and Air Conditioning	6.4.10-1
Center Control Panel (Automatic)/Ion Generator/Inner and Outer Recirculation Damper Actuator/Emergency Alarm Switch	6.4.10-3
Room Temperature Sensor/Evaporator Temperature Sensor/Ambient Light Sensor/ Right Mix Damper Actuator/Mode Damper Actuator	6.4.10-4
A/C Pipe Pressure Sensor/Outside Temperature Sensor/ A/C Pressure Switch	6.4.10-5
Front Blower/Speed Regulation Module	6.4.10-6
Compressor	6.4.10-7
6.4.11 Airbag Restraint System	6.4.11-1
Airbag Restraint System	6.4.11-1
Power Supply/Seat Sensor/Seat Belt Switch/Frontal Collision Sensor/Driver/ Front Passenger Airbag	6.4.11-2
Side Collision Sensor/Driver/Front Passenger Airbag/Air Curtain	6.4.11-3
6.4.12 Instrument Cluster	6.4.12-1
Instrument Cluster	6.4.12-1
Power Supply/Display USB	6.4.12-2
Rotary Connector (Multi-functional Switch Low Configuration)/Brake Fluid Level Sensor/Fuel Level Sensor	6.4.12-3
6.4.13 Horn	6.4.13-1
Horn	6.4.13-1
6.4.14 USB & On-board Power Supply	6.4.14-1
USB & On-board Power Supply	6.4.14-1
6.4.15 Information and Entertainment System	6.4.15-1
Information and Entertainment System	6.4.15-1
Power Supply/Central Box Switch Box	6.4.15-3

Table of Contents

Left Woofer/Left Tweeter/Microphone	6.4.15-4
Right Woofer/Right Tweeter	6.4.15-5
Front Display/User USB/GPS Antenna/Radio Antenna/TF-Slot	6.4.15-6
Integrated Panoramic View Controller	6.4.15-7
T-BOX (Russia)	6.4.15-8
6.4.16 Lighting System	6.4.16-1
Lighting System	6.4.16-1
Headlamp	6.4.16-4
Combination Lamp Switch	6.4.16-5
Position Lamp	6.4.16-6
Turn/Warning Lamp	6.4.16-7
Brake Lamp/Rear Fog Lamp	6.4.16-9
Reversing Lamp/Daytime Running Lamp	6.4.16-10
Indoor Lamp-2	6.4.16-12
Background Lamp	6.4.16-13
6.4.17 Wiper	6.4.17-1
Wiper	6.4.17-1
Front Wiper Motor	6.4.17-3
Front Washer Motor/Rear Washer Motor	6.4.17-4
Rear Wiper Motor	6.4.17-5
Rain/Ambient Light Sensor (Russia Level 3, Level 4)/Americas (Level 3, Level4)	6.4.17-6
6.4.18 Power Rearview Mirror	6.4.18-1
Power Rearview Mirror	6.4.18-1
Power Rearview Mirror Folding	6.4.18-2
Power Rearview Mirror Adjusting	6.4.18-3
6.4.19 Central Door Lock and Body Theft Deterrent System	6.4.19-1
Central Door Lock and Body Theft Deterrent System	6.4.19-1
Door Lock Motor/Oil Tank Cover Motor	6.4.19-2
Door Contact Switch	6.4.19-3
6.4.20 Power Window System	6.4.20-1
Power Window System	6.4.20-1
Window Anti-pinch Controller	6.4.20-2
Left Front Door Window	6.4.20-3
Right Front Door Window	6.4.20-4
Left Rear Door Window	6.4.20-5
Right Rear Door Window	6.4.20-6
6.4.21 Defroster	6.4.21-1
Defroster	6.4.21-1
Rearview Mirror Heater, Rear Defroster	6.4.21-2

Table of Contents

Front Windshield Heater	6.4.21-3
6.4.22 Sunroof	6.4.22-1
Sunroof	6.4.22-1
Panoramic Sunroof Russia Level 4/Americas (Level 3, 4)	6.4.22-2
Sunroof Russia Level (2, 3)/Americas Level 2	6.4.22-3
6.4.23 Parking Assist System	6.4.23-1
Parking Assist System	6.4.23-1
6.4.24 Body Control System	6.4.24-1
Body Control System	6.4.24-1
6.4.25 On-board Network System	6.4.25-1
On-board Network System	6.4.25-1
Data Link Connector	6.4.25-3
ADAS CAN	6.4.25-4
EPS CAN	6.4.25-5
P CAN	6.4.25-6
B CAN	6.4.25-7
I CAN	6.4.25-8
LIN Line	6.4.25-9
6.4.26 Keyless Entry Control System	6.4.26-1
Keyless Entry Control System	6.4.26-1
Power Supply	6.4.26-2
Antenna/ENGINE START STOP Switch/Concealed Door Handle	6.4.26-3
Radio Frequency Sensor	6.4.26-4
6.4.27 Self-adaptive Cruise System	6.4.27-1
Self-adaptive Cruise System	6.4.27-1
6.4.28 Seat Heating and Ventilation System	6.4.28-1
Seat Heating and Ventilation System (Russia)	6.4.28-1
Rear Seat Heating System (Russia LEVEL 3, 4)	6.4.28-2
Power Supply/Driver Heating Controller/Front Passenger Heating Controller (Only for Russia)	6.4.28-3
Rear Seat Heating (Russia LEVEL 3, 4)	6.4.28-4
Seat Adjustment System	6.4.28-5
6.4.29 Power Back Door System	6.4.29-1
Power Back Door System	6.4.29-1
Power Supply/Instrument Panel Switch Box/Back Door Close Switch	6.4.29-2
Door Lock Motor - Back Door/Back Door Buzzer/Left Electric Stay Bar	6.4.29-3
6.4.30 Lane Departure System	6.4.30-1
Lane Departure System	6.4.30-1

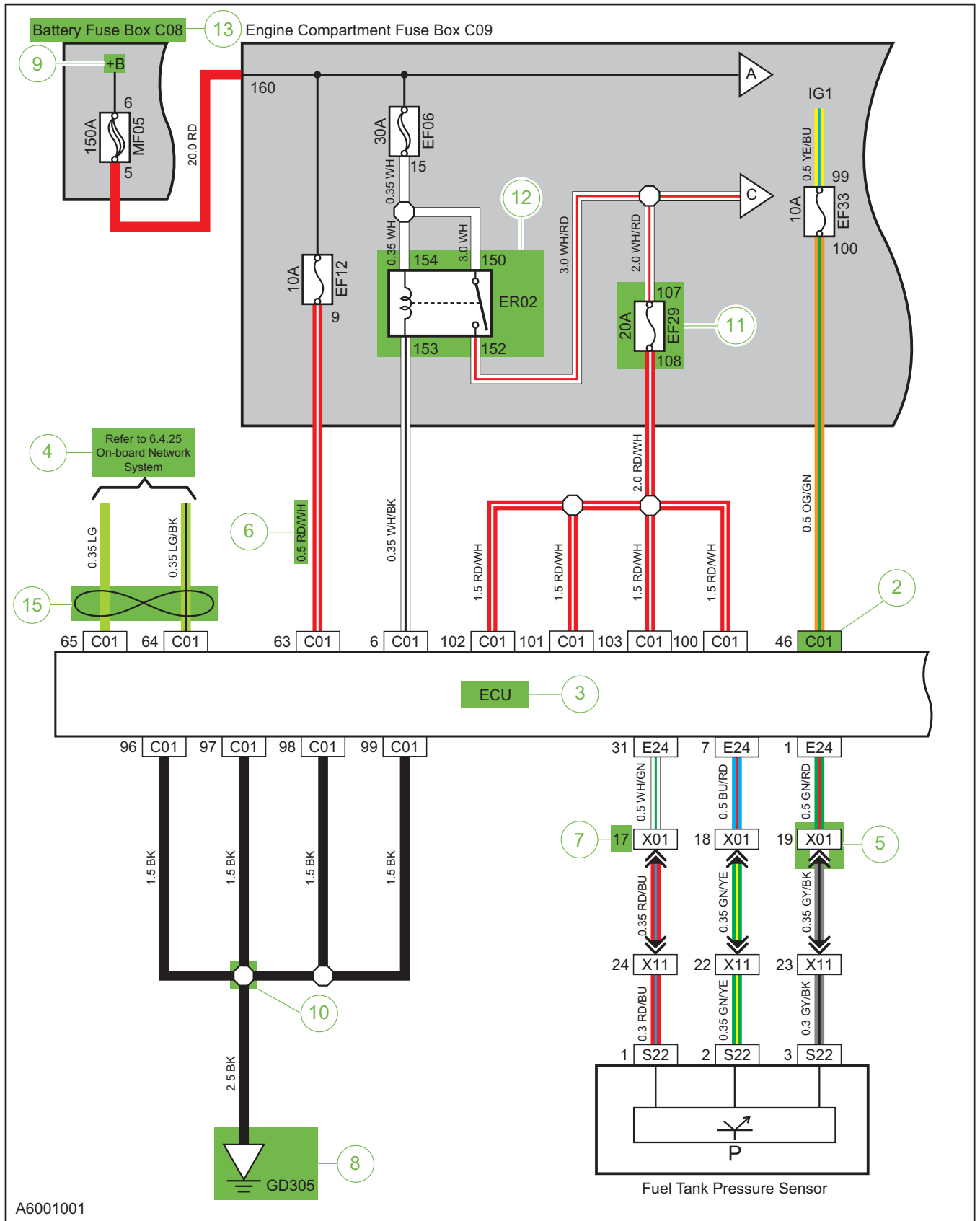
Table of Contents

6.5 Fuse and Relay Information	6.5-1
Fuse and Relay Information	6.5-1
Engine Compartment Fuse Box	6.5-3
Instrument Panel Fuse Box	6.5-7
6.6 Power Supply Distribution	6.6-1
Power Supply Distribution - 1	6.6-1
Power Supply Distribution - 2	6.6-2
Power Supply Distribution - 3	6.6-3
Power Supply Distribution - 4	6.6-4
Power Supply Distribution - 5	6.6-5
Power Supply Distribution - 6	6.6-6
Power Supply Distribution - 7	6.6-7
Power Supply Distribution - 8	6.6-8
Power Supply Distribution - 9	6.6-9
6.7 Fuse Details	6.7-1
MF03 MF04 MF05 MF07 SB01 SB04 SB08 ER03	6.7-1
EF06 EF07 EF30 SB02 ER02 ER07 ER14 ER18	6.7-2
EF09 EF25 EF26 EF28 ER04	6.7-3
EF27 EF29	6.7-4
EF15 EF16 ER13 ER16 ER17	6.7-5
EF01 EF08 SB03 SB09 ER05 ER08 ER15 ER19	6.7-6
EF10 EF21 SB07 SB10 SB11 SB12 SB14 ER06	6.7-7
EF02 EF03 EF04 EF05 EF11 EF12 EF13 EF14 EF17 EF18 EF19 EF20	6.7-8
EF33 EF34 EF35 EF36 EF45 SB05 SB06 SB13	6.7-9
DF01 DF02 DF03 DF04 DF05 DF07 SB15 SB16	6.7-10
DF10 DF11 DF12 DF13 DF14 DF23	6.7-11
DF27 DF28 DF29 DF30 DF38 DR03 DR04	6.7-12
DF31 DF32 DF35 DF36 DF37 DF39 DF40 DF42	6.7-13
DF44 DF45 DF46 DF47 DF48	6.7-14
6.8 Grounding Distribution	6.8-1
GD101 GD102 GD103 GD104	6.8-1
GD105	6.8-2
GD201 GD202 GD205	6.8-3
GD206 GD207 GD208	6.8-4
GD209 GD210	6.8-5
GD301 GD302 GD303 GD304 GD305	6.8-6
GD306 GD307 GD308	6.8-7
GD004 GD001 GD002 GD1402	6.8-8
GD401	6.8-9

Table of Contents

6.9 Wiring Harness Connector Location View	6.9-1
Wiring Harness to Wiring Harness (X--)	6.9-1
Chassis Wiring Harness Connector (S--)	6.9-21
Roof Wiring Harness Connector (L--)	6.9-26
Rear Bumper Wiring Harness Connector (J--)	6.9-28
Engine Wiring Harness Connector (E--)	6.9-30
Engine Compartment Wiring Harness Connector (C--)	6.9-34
Door Wiring Harness Connector (D--)	6.9-39
Instrument Panel Wiring Harness Connector (P--)	6.9-47
6.10 Grounding Location View	6.10-1
GD301 GD302 GD303 GD304 GD305 GD306 GD307 GD308	6.10-1
GD101 GD102 GD103 GD104 GD105	6.10-2
GD201 GD202 GD205 GD206 GD207 GD208 GD209 GD210	6.10-3
GD1401 GD1402	6.10-4
GD401	6.10-5
6.11 Wiring Harness Connector Terminal View	6.11-1
Wiring Harness to Wiring Harness Connector (X--)	6.11-1
Engine Compartment Wiring Harness Connector (C--)	6.11-42
Engine Wiring Harness Connector (E--)	6.11-70
Chassis Wiring Harness Connector (S--)	6.11-93
Instrument Panel Wiring Harness Connector (P--)	6.11-132
Rear Bumper Wiring Harness Connector (J--)	6.11-184
5-Door Wiring Harness Connector (D--)	6.11-188
Roof Wiring Harness Connector (L--)	6.11-221
6.12 Abbreviation	6.12-1
Abbreviation List	6.12-1

Electronic Control System ①



1. System name.
2. Wiring harness connector number.




In this manual, the wiring harness connector is numbered based on wiring harness. For example, connector of ECU wiring harness in engine compartment wiring harnesses is numbered as C01. C is the wiring harness code, 01 is the connector serial number.

The following table lists are wiring harness codes:

Definition	Wiring Harness Name
C--	Engine Compartment Wiring Harness
E--	Engine Wiring Harness
S--	Chassis Wiring Harness
P--	Instrument Panel Wiring Harness
J--	Rear Bumper Wiring Harness
D--	Door Wiring Harness
L--	Roof Wiring Harness
X--	Wiring Harness to Wiring Harness Connector

CAUTION:

- 1 Door wiring harness consists of wiring harness of five doors.
 - 2 For details of wiring harness connector numbering, please refer to wiring harness layout views.
3. Component name.
 4. System information related to the circuit.
 5. For wiring harness to wiring harness connector, the black arrow represents positive pole and the box represents the negative pole. The character in the box is the connector code.
 6. Wiring harness color and wire diameter. The following table shows the color code:

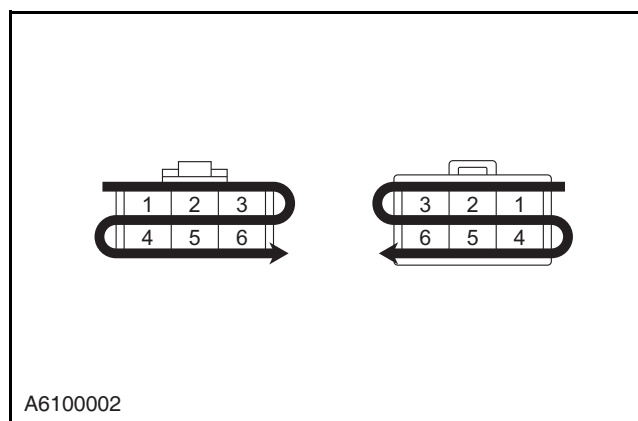
Color Code	Wiring Harness Color	Legend
BK	Black	
BN	Brown	
BU	Blue	

GN	Green	
GY	Gray	
LG	Light Green	
LU	Light Blue	
OG	Orange	
PK	Pink	
RD	Red	
SR	Silver	
VT	Violet	
WH	White	
YE	Yellow	

If a wiring harness has two colors, the first character shows the background color and the second shows the stripe color, divided by "/".

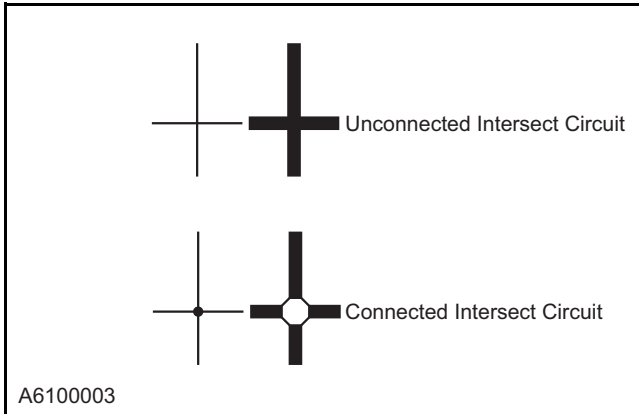
For example, YE/WH means yellow background color with white stripe.

7. Pin number. The pin number of mated connector pair are mirrored relationship, as shown below:



8. Grounding number. The grounding number starts with GD. For grounding details, please refer to grounding layout view.
9. For power supply type supplied to fuse, +B represents battery power supply, ACC represents power supply output when ignition switch is at "ACC", IG1 represents power supply output when ignition switch is at "ON".

10. Wiring harness splice point.



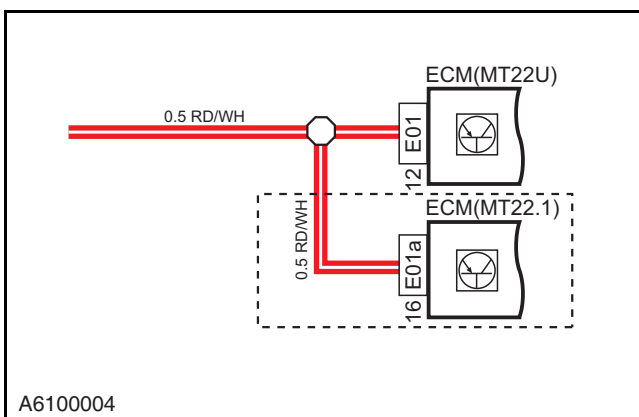
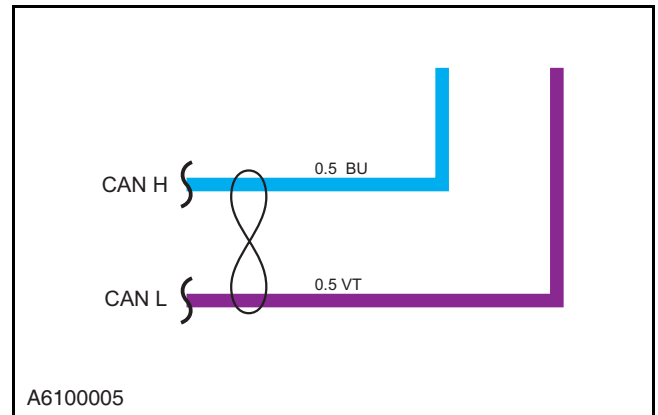
11. Fuse number consists of a fuse code and a sequential number. Code EF represents fuses in the engine compartment fuse and relay box; Code DF represents fuses in instrument panel fuse and relay box. For details, please refer to fuse table.

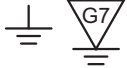
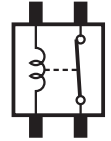


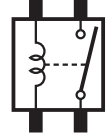

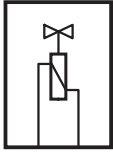
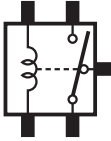
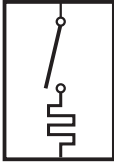











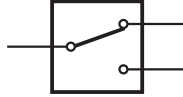

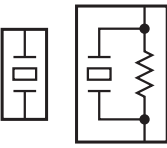
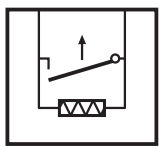
12. A relay is represented by two capital English letters. Code ER represents relays in the engine compartment fuse and relay box; Code DR represents relays in the instrument panel fuse and relay box. For details, please refer to the relay table.

13. Filling gray shade means the electronic component, C08 represents the wiring harness connector code.






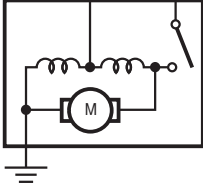


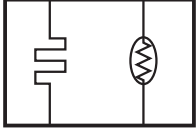

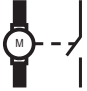

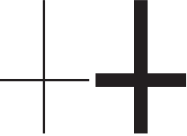
14. Circuit differences in different models, engines or specifications are noted by dashed lines and texts beside the circuit.

15. The 8-shaped symbol between wiring harnesses represents twisted pair, which is used for sensor signal or data communication.



	Grounding		Normally Closed Relay		Battery
	Temperature Sensor		Normally Open Relay		Capacity
	Solenoid Valve		Double-throw Relay		Cigarette Lighter
	Solenoid Valve		Resistor		Antenna
	Small Load Fuse		Potentiometer		Normally Open Switch
	Medium Load Fuse		Variable Resistor		Normally Closed Switch
	Large Load Fuse		Ignition Coil		Double-throw Switch
	Heater		Knock Sensor		Airbag

A6200001

	<p>Diode</p>		<p>Bulb</p>		<p>Twisted-pair Wire</p>
	<p>Photo Diode</p>		<p>Horn</p>		<p>Starting Motor</p>
	<p>Light Emitting Diode</p>		<p>Spiral Cable</p>		<p>Oxygen Sensor</p>
	<p>Motor</p>		<p>Limit Switch</p>		<p>Connected Intersect Circuit</p>
	<p>Unconnected Intersect Circuit</p>				

A6200002

Diagnostic Procedure

Refer to the following procedures for circuit fault diagnosis:

1. Confirm Fault

To do proper repair, confirm the fault symptoms described by the customer first. Inspect the relevant component carefully to confirm fault symptoms and make record. DO NOT disassemble the component before confirming the fault scope and causes.

2. Read Wiring Diagram and Analyze Causes

Make a complete analysis and judgment on the fault components from power supply to grounding according to the sub-system wiring diagram and determine the repair solution. If it cannot be determined, please read the system description in "Description and Operation" section in the repair manual to understand the working principle. And inspect other circuits that has common part with the fault circuit, for example, the fuse, grounding, switch, etc. Inspect the common circuit not covered in step 1. If other components in the common circuit work properly, it means that the fault exists in its own circuit. Otherwise, the fuse or grounding may have faults.

3. Inspect Circuits and Components

Always use the wiring diagram together with repair manual and refer to the diagnostic procedure for circuits and components in repair manual. For the circuit with a control module, fully use diagnostic tools to do the test. Effective diagnosis should be a logical and reasonable operation. Fully use the diagnostic procedures in the repair manual and start the inspection from the most likely causes and the components with easiest inspection way.

4. Repair Fault

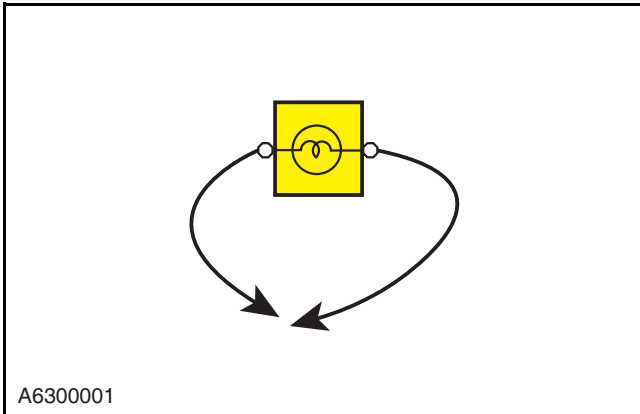
For the detected fault, refer to the wiring diagram and the description for fault treatment in repair manual. For example, the diagnostic procedure for poor grounding and the wiring harness connector treatment.

5. Confirm Circuit Working Condition

After repair, all functions should be re-inspected to confirm that the fault is repaired. For the blown fault of fuse, inspect all the relevant circuits sharing this fuse.

Diagnostic Tools

1. Voltmeter and Test Lamp

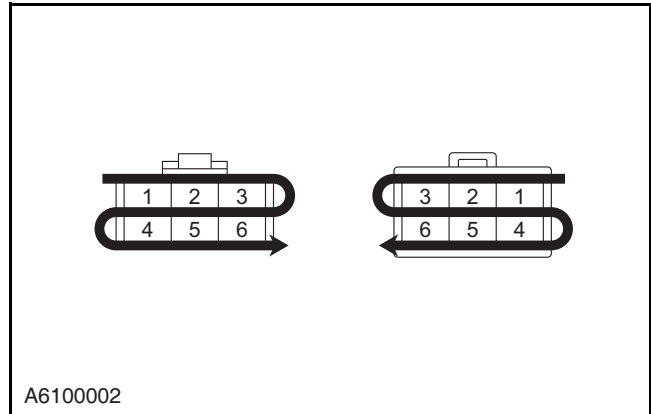


Use test lamp or voltmeter to inspect the circuit status. Check for voltage. Test lamp comprises a pair of wiring harnesses and a 12 V bulb. When inspecting, connect one wiring harness to the ground and the other one to the certain measurement point. If the bulb is lit, it means the measurement point has power supply.

⚠ WARNING: When inspecting the electronic control module voltage, **DO NOT** use test lamp to inspect the module circuit. Otherwise it could damage the interior circuit inside the module. Please use a voltmeter with 10 MΩ or higher internal resistance (for example, to inspect the ECM voltage circuit).

Voltmeter has the same usage method as the test lamp, but voltmeter can show the voltage value of the circuit. Use a voltmeter with high impedance to test the voltage. If the circuit has poor connection, the voltmeter may show the normal value, but the voltage cannot drive the load successfully.

2. Self-powered Test Lamp and Ohmmeter

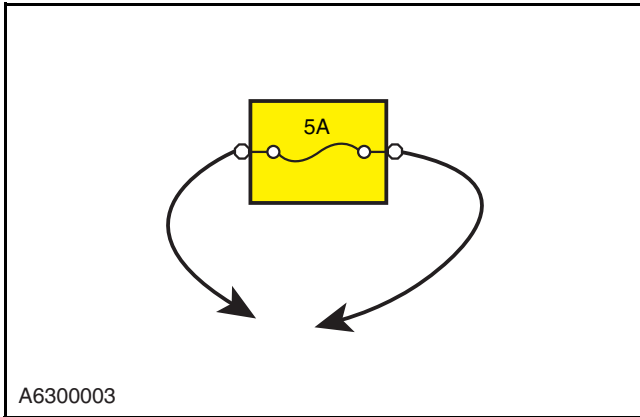


Use test lamp with own 12 V power supply or ohmmeter to inspect the circuit for continuity. Self-powered test lamp comprises a bulb, battery and a pair of wiring harnesses. The bulb will be lit when the two wiring harnesses are connected. Before testing, disconnect the negative battery cable and pull out the fuse of circuit. To test the circuit for continuity, connect two wiring harnesses to the two measurement points. If the bulb is lit, it means the circuit is normal.

⚠ WARNING: **DO NOT** use self-powered test lamp to inspect the control module. Otherwise, it could damage the interior circuit inside the control module. Please use a ohmmeter with 10 MΩ or higher internal resistance.

Ohmmeter has the same operation method as voltmeter, but ohmmeter can show the resistance value. The lower resistance, the better continuity.

3. Jumper Wire with Fuse

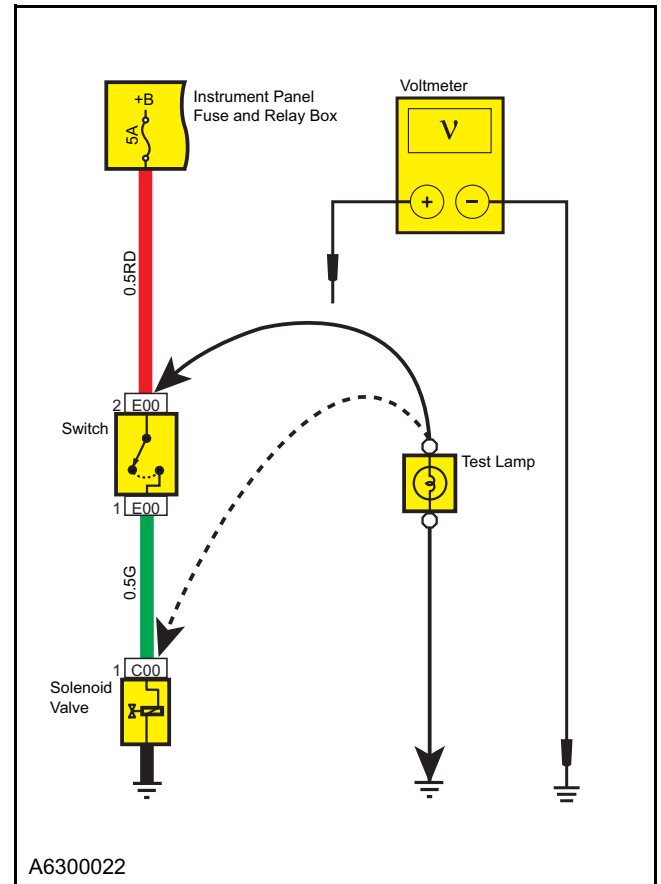


Use jumper wire to test a broken point for open loop circuit (circuit open). The jumper wire is a tool that should be in tandem with the circuit.

WARNING: To protect the circuit to be inspected, **DO NOT** use the fuse higher than the rated capacity of circuit to inspect relevant circuits. **DO NOT** use the jumper wire as the input or output signal when a control module such as ECM or TCM is in the circuit. Otherwise, it could damage the interior circuit inside the control module.

Fault Testing

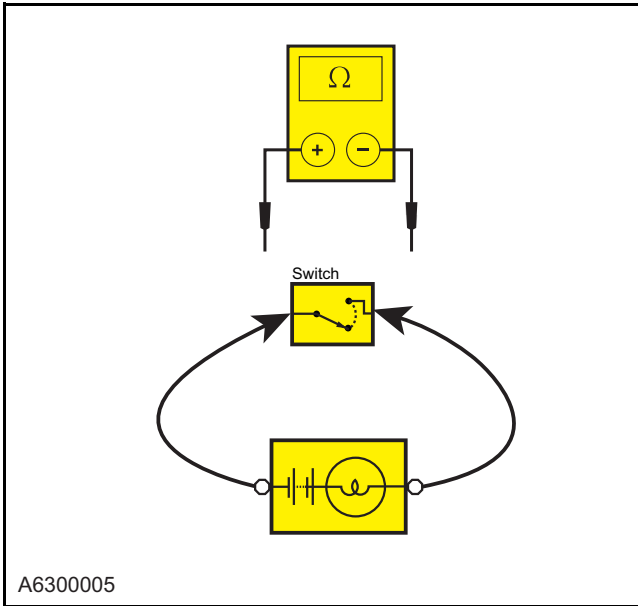
1. Voltage Testing



Voltage testing is to test the voltage at a certain point. When testing a certain connector terminal, insert the positive probe of circuit testing tool from back of connector without disassembling wiring harness connector.

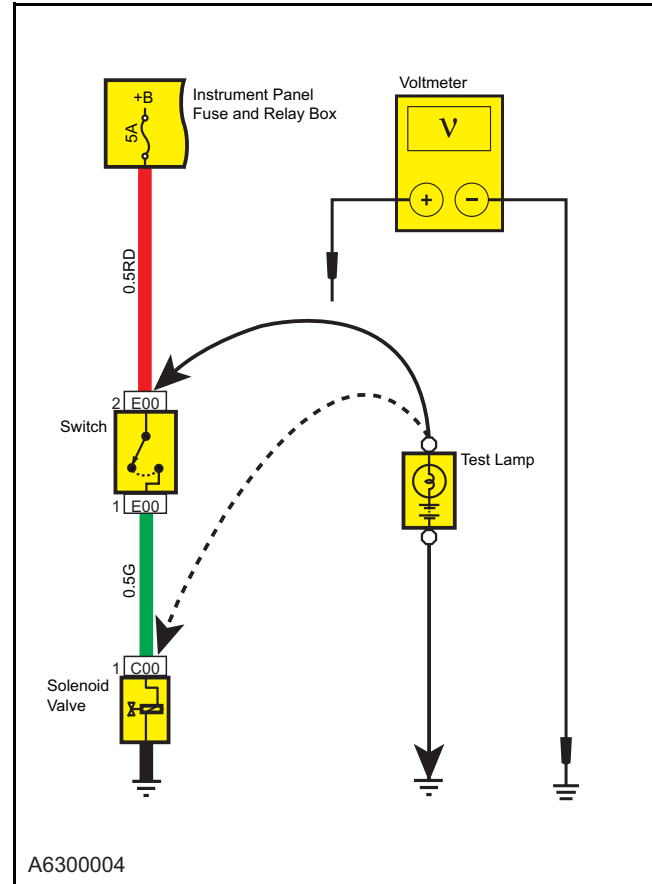
- 1 When testing the voltage with test lamp or voltmeter, connect the negative of testing tool to battery negative.
- 2 Connect the other end of wiring harness of the test lamp or positive probe of the voltmeter to the test position.
- 3 If a voltmeter is used and displayed voltage value is lower than the rated value at least 1 V, which means a circuit fault. If a test lamp is used and lamp is not lit, it means a circuit fault.

2. Power Testing



- 1 Disconnect the negative battery cable.
- 2 Connect one wiring harness of the self-powered test lamp or the probe of the ohmmeter to the test component. When using ohmmeter, please connect the two probes each other and use reset button to adjust the ohmmeter to zero.
- 3 Connect the other wiring harness of the test lamp or probe of the ohmmeter to the other side of the test load.
- 4 If the bulb is lit, it means the circuit is normal. If an ohmmeter is used and the resistance value is very low or close to 0 Ω , it means the component has good continuity.

3. Short Circuit Testing

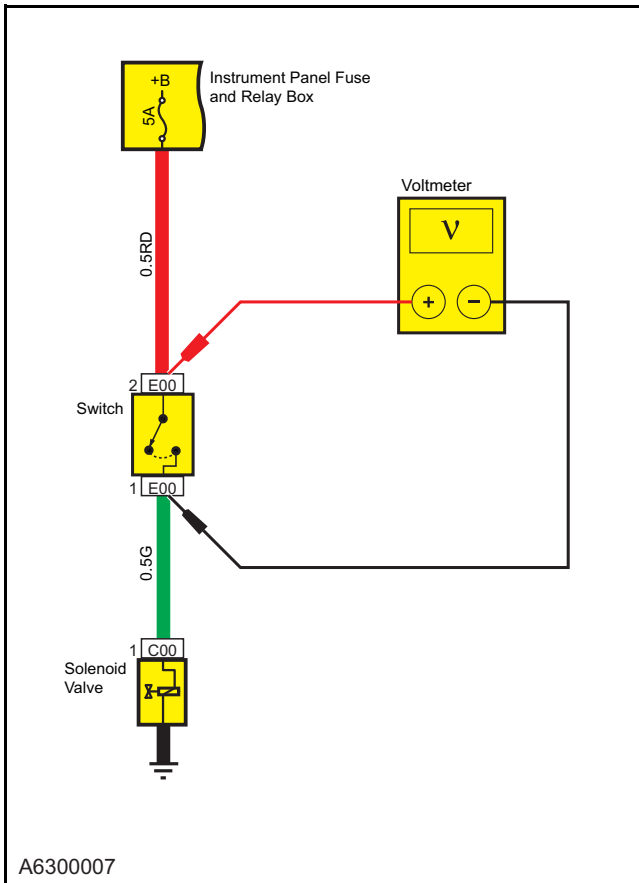


- 1 Disconnect the negative battery cable.
- 2 Connect one wiring harness of self-powered test lamp or one probe of ohmmeter to the output terminal of fuse.
- 3 Connect the other wiring harness of self-powered test lamp or other probe of ohmmeter to the grounding.
- 4 Disconnect all the electrical loads related to the fuse.

CAUTION: If all the electrical loads related to the fuse are not disconnected, when testing the low resistance circuit such as lights, the ohmmeter will always display the low value. This will cause wrong judgment.

- 5 Do the inspection in sequence from the place closest to the fuse.
- 6 If the self-powered test lamp is lit or ohmmeter has value display less than 5 Ω , it means the short circuit to the ground.

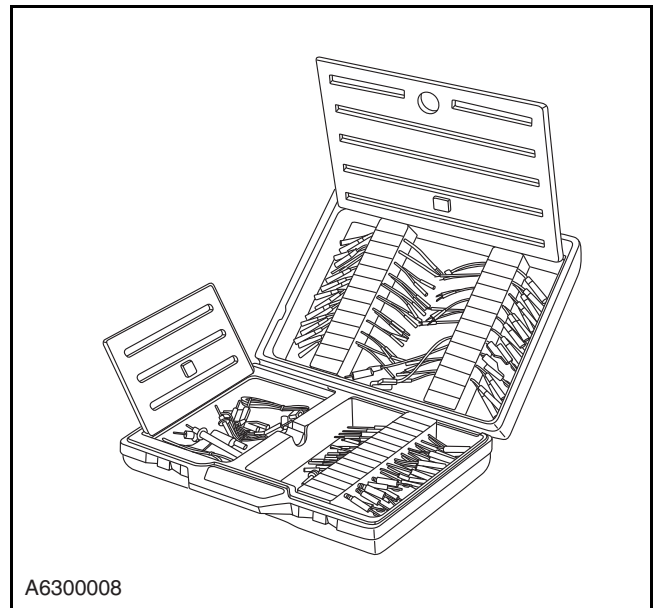
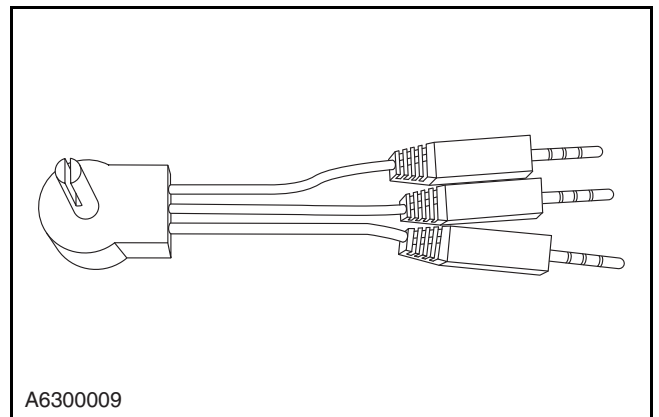
4. Voltage Drop Testing



This is a test to inspect the voltage drop along the wiring harness, connector or switch.

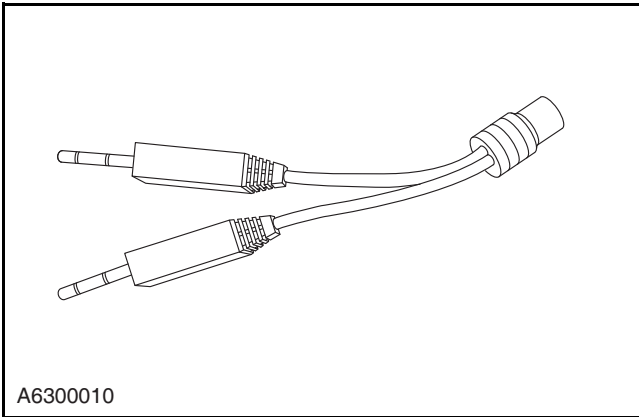
- 1 Connect the positive probe of voltmeter to one end of the circuit close to battery (connector or switch side).
- 2 Connect the negative probe to the other end of the circuit (the other side of connector or switch).
- 3 Switch on or off to make the circuit work.
- 4 The voltmeter will display the voltage difference between the two test points.
- 5 If the voltage difference is more than 0.1 V (less than 50 mV for 5 V circuit), it means a circuit fault. Inspect for loose, oxidized or corrosive circuit.

Repair Tools

1. 5 K Ω Variable Rheostat

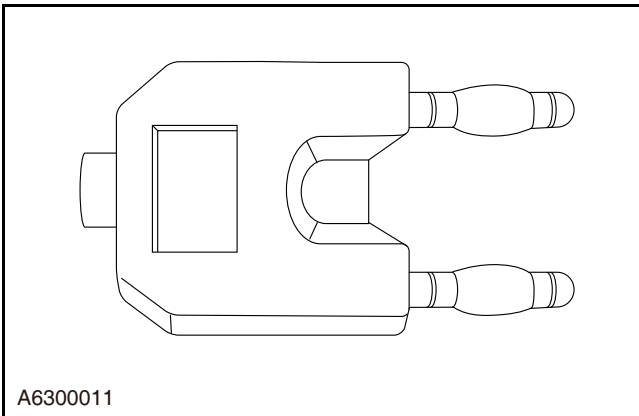
It can simulate each ohm-type sensor signal, such as coolant temperature sensor, air intake temperature sensor and so on. And is helpful to make quick judgment on the performance of component.

2. LED Test Lamp



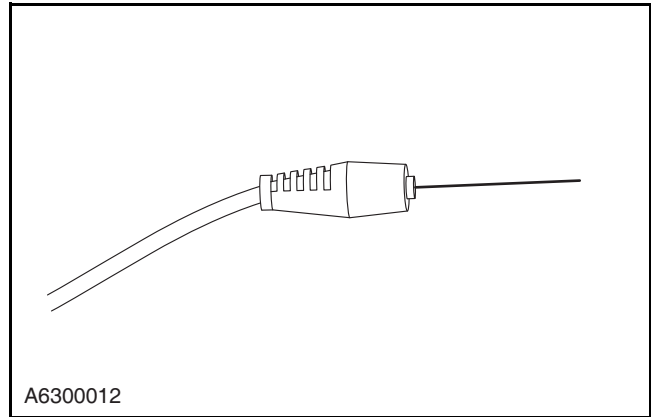
Bidirectional two-color LED lamp can change its color when exchanging the positive and negative. This feature can be used to test the PWM control signals of Hall sensor.

3. Airbag Test Tool



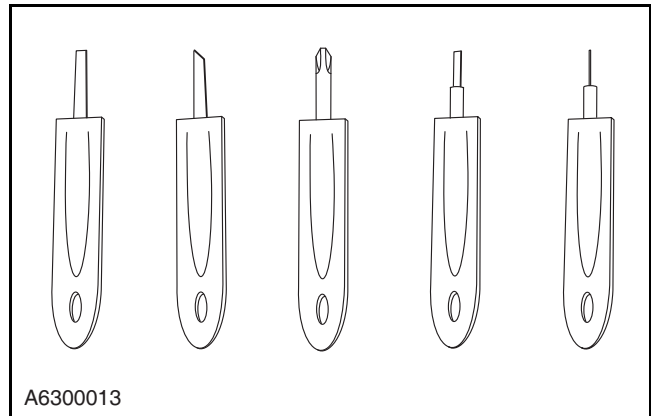
Before installing a new airbag after airbag system fault or vehicle accident, install this tool to the airbag system, and use diagnostic tools to confirm that the airbag system works properly. After that, install the new airbag. This process can guarantee a safe airbag operation.

4. Probe



When testing a system component, insert it from back of wiring harness connector directly without breaking the wiring harness, to reduce man-made fault.

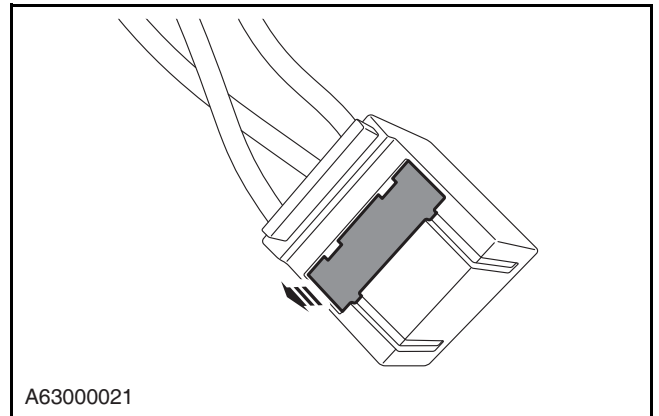
5. Terminal Repair Tool



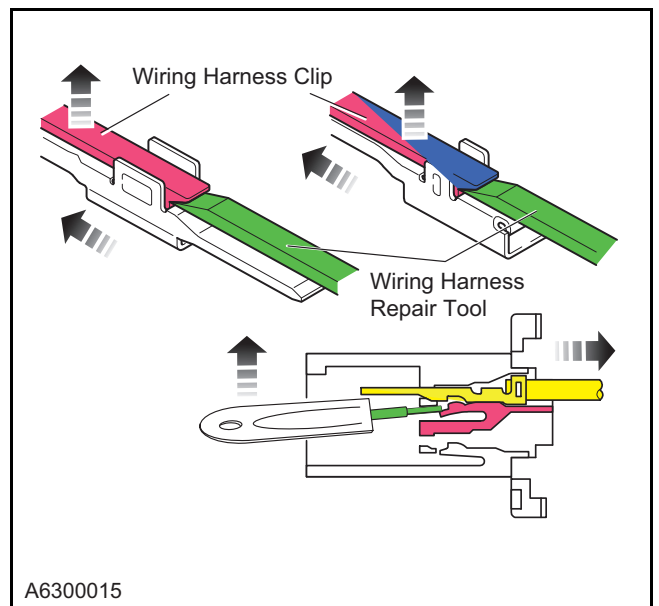
When maintaining and repairing certain terminal, use this tool to separate them from connector.

Wiring Harness Terminal Repair

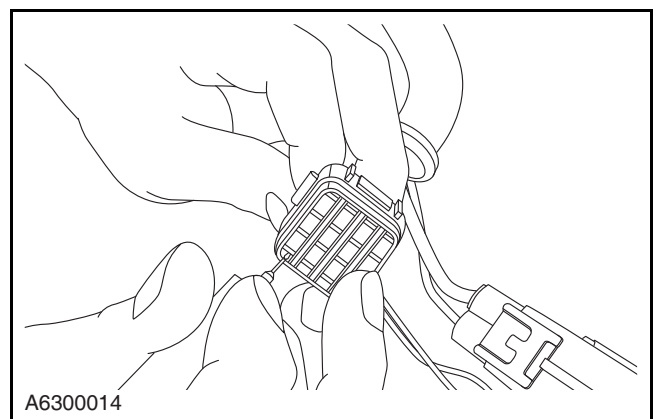
1. Remove the terminal pin.



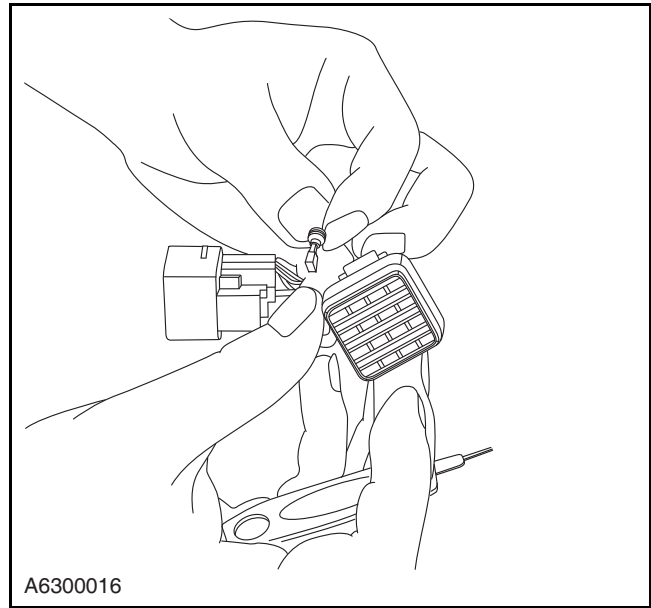
2. Separate the wiring harness clip with wiring harness repair tool.



3. Pull out the wiring harness terminal from the rear of connector.

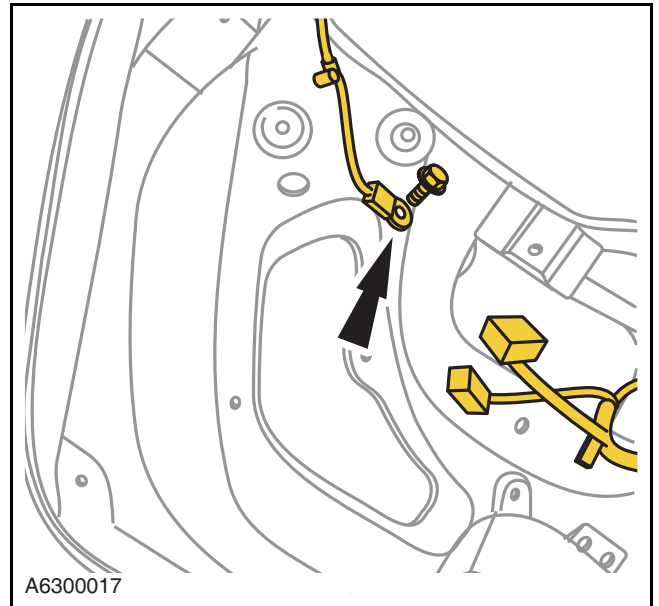


4. Adjust and clean the wiring harness terminal contact plate pulled out from connector.

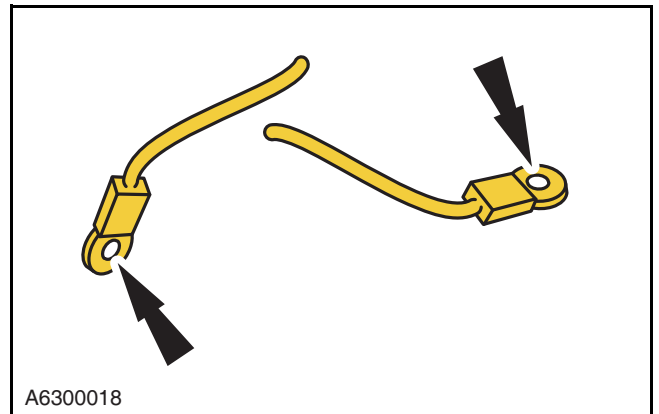


Repair Procedure for Poor Grounding Connection

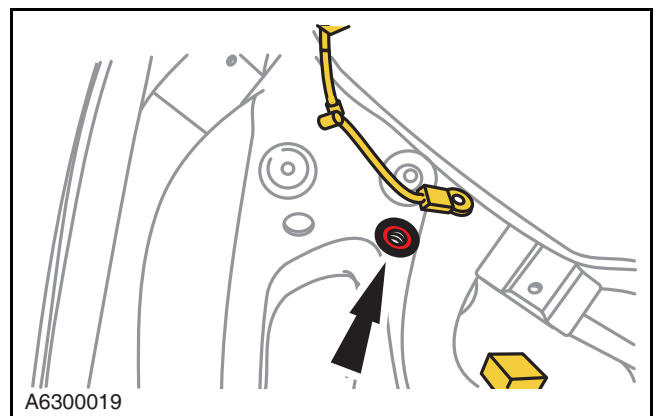
1. Remove the grounding bolt.



2. Clean the two surfaces (both vehicle contact side and bolt side) of copper ring with abrasive cloth until the oxide is completely cleared.



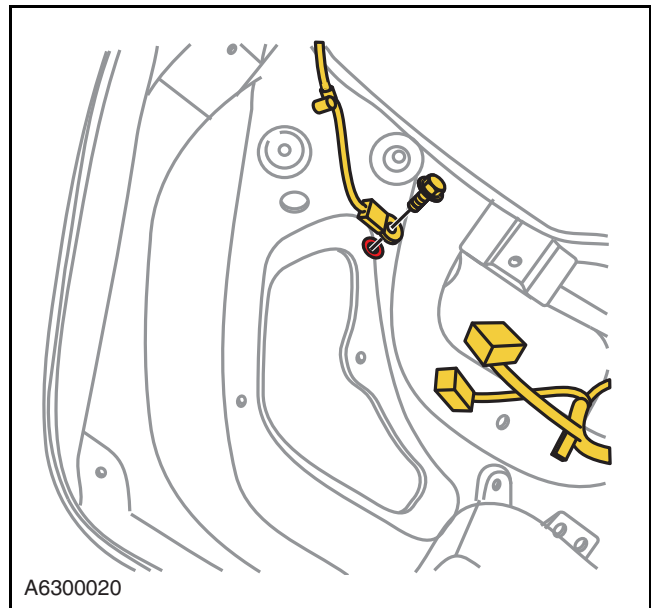
3. Clean the grounding surface on the vehicle with abrasive cloth until it is completely cleaned.



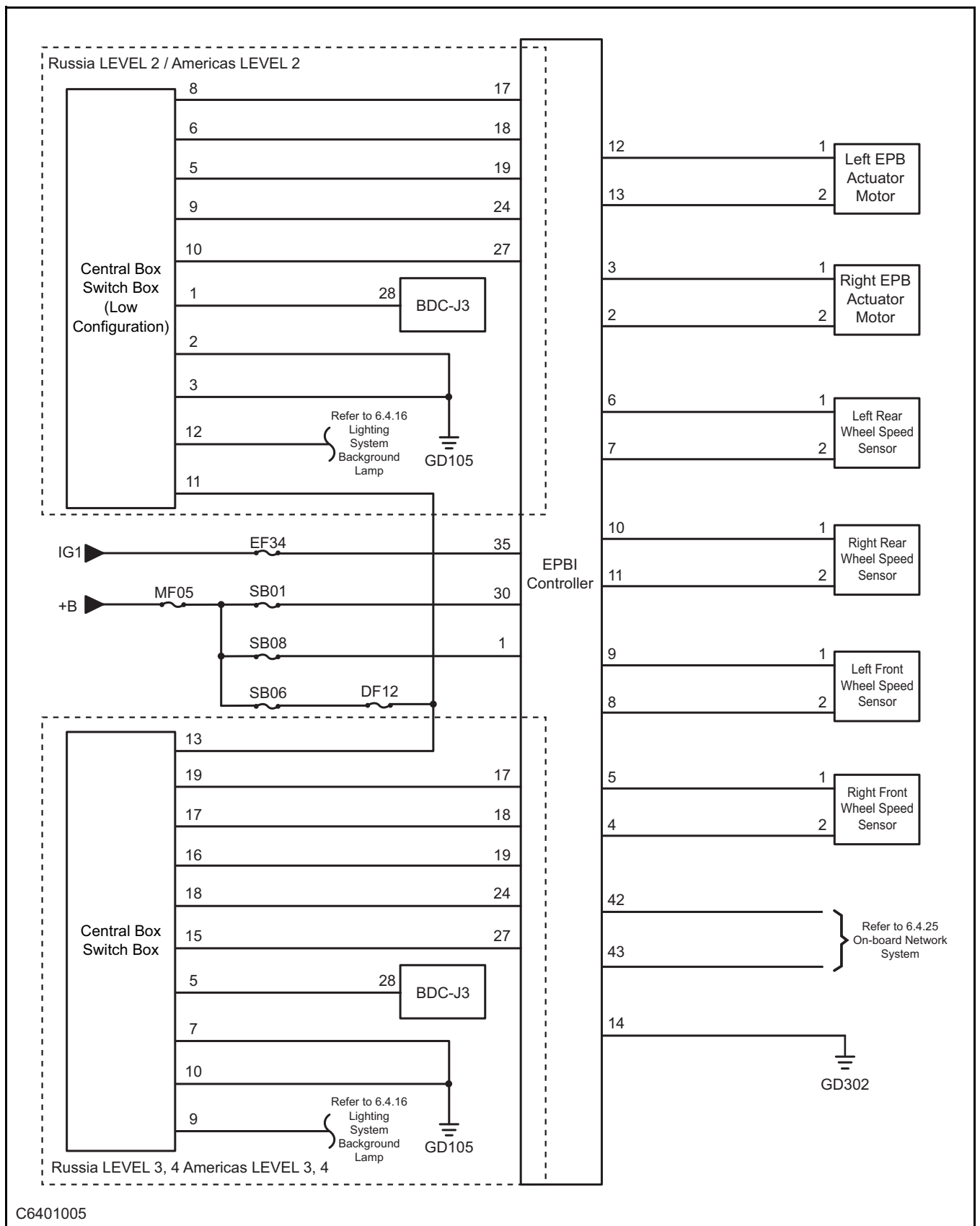
4. Reinstall the wiring harness and retaining bolt of grounding. Tighten it to specified torque.

Torque for M6 bolt: 8 Nm

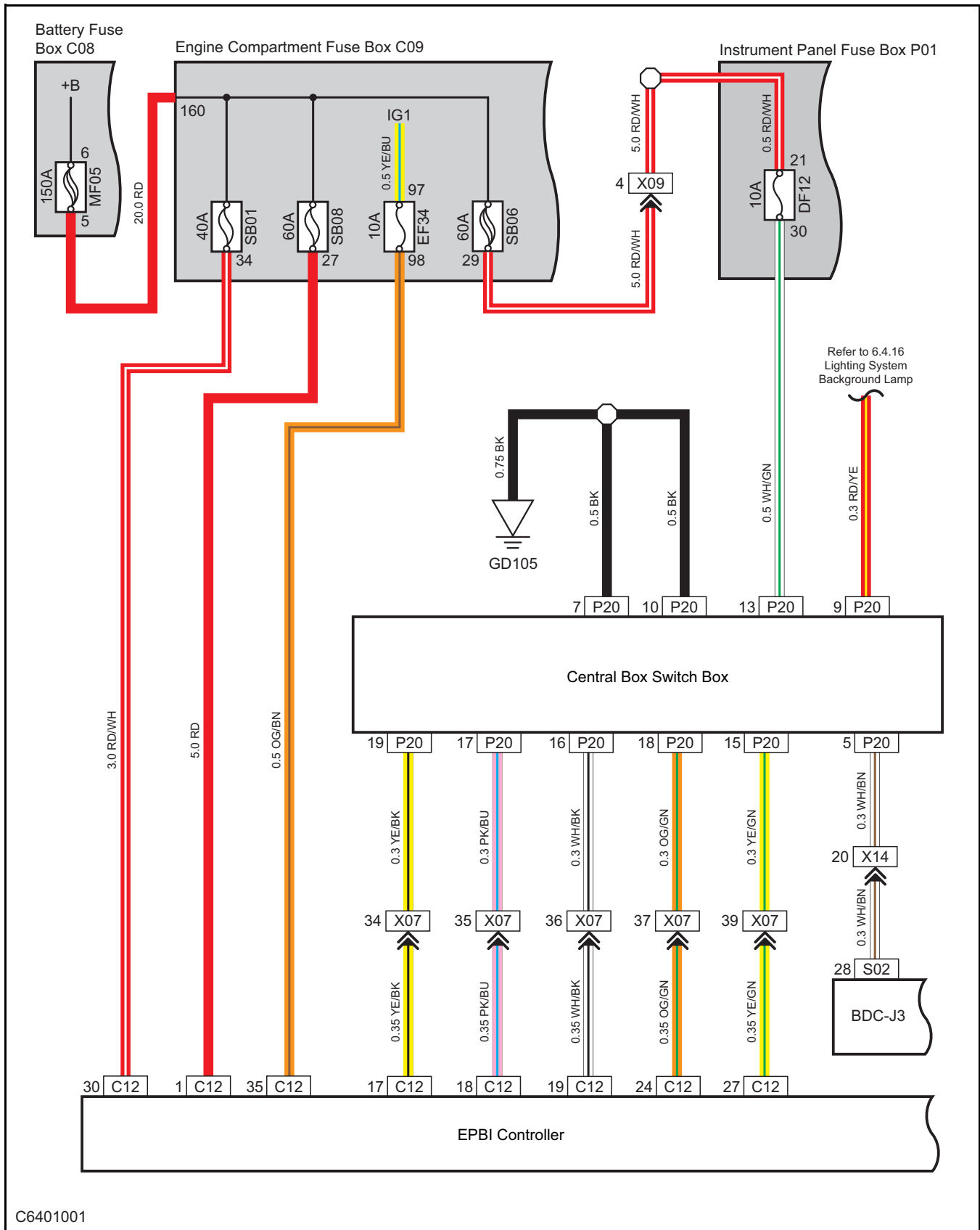
Torque for M8 bolt: 20 Nm



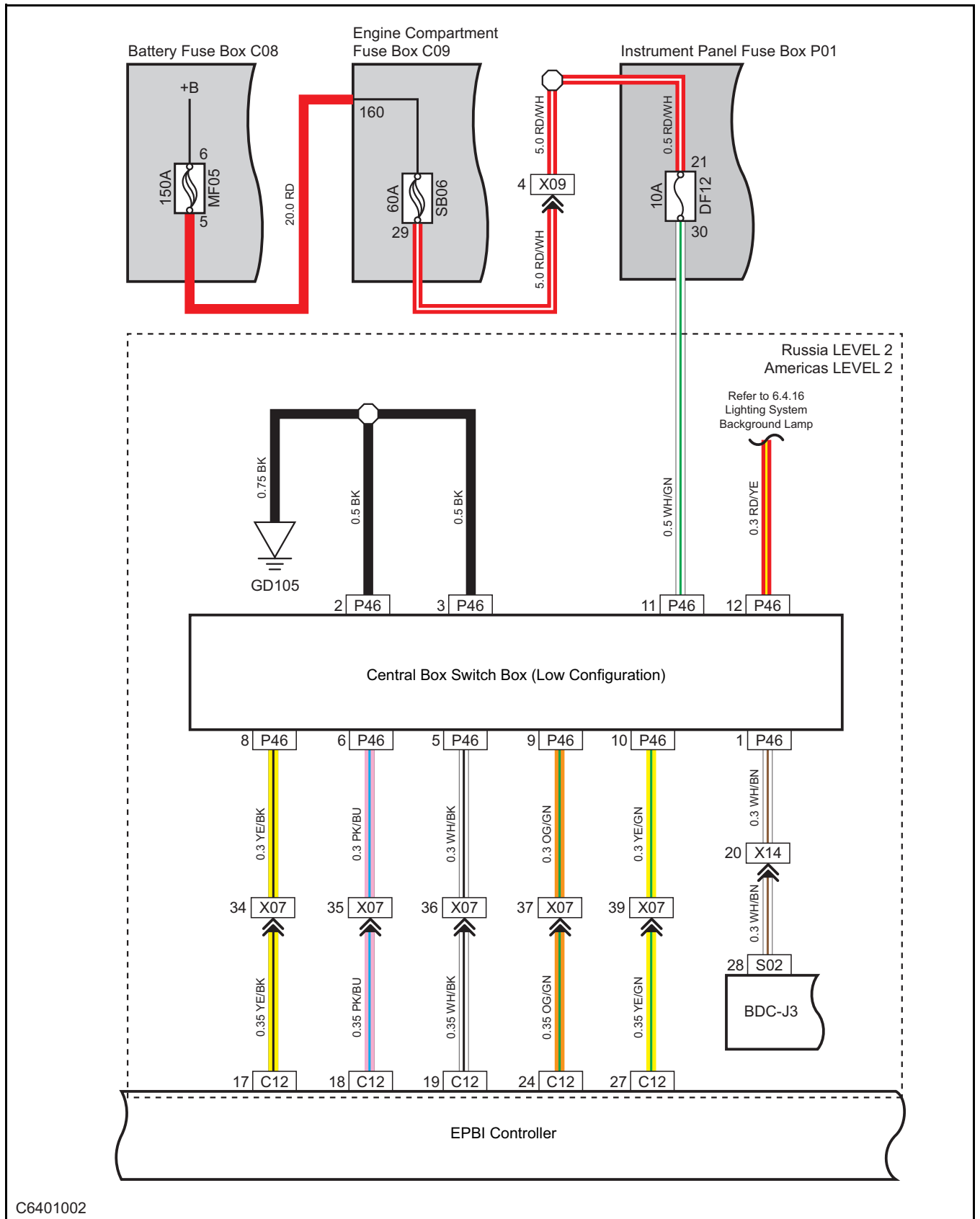
Integrated Electronic Parking Brake System (Including ESP)



Power Supply/EPB Central Box Switch Box

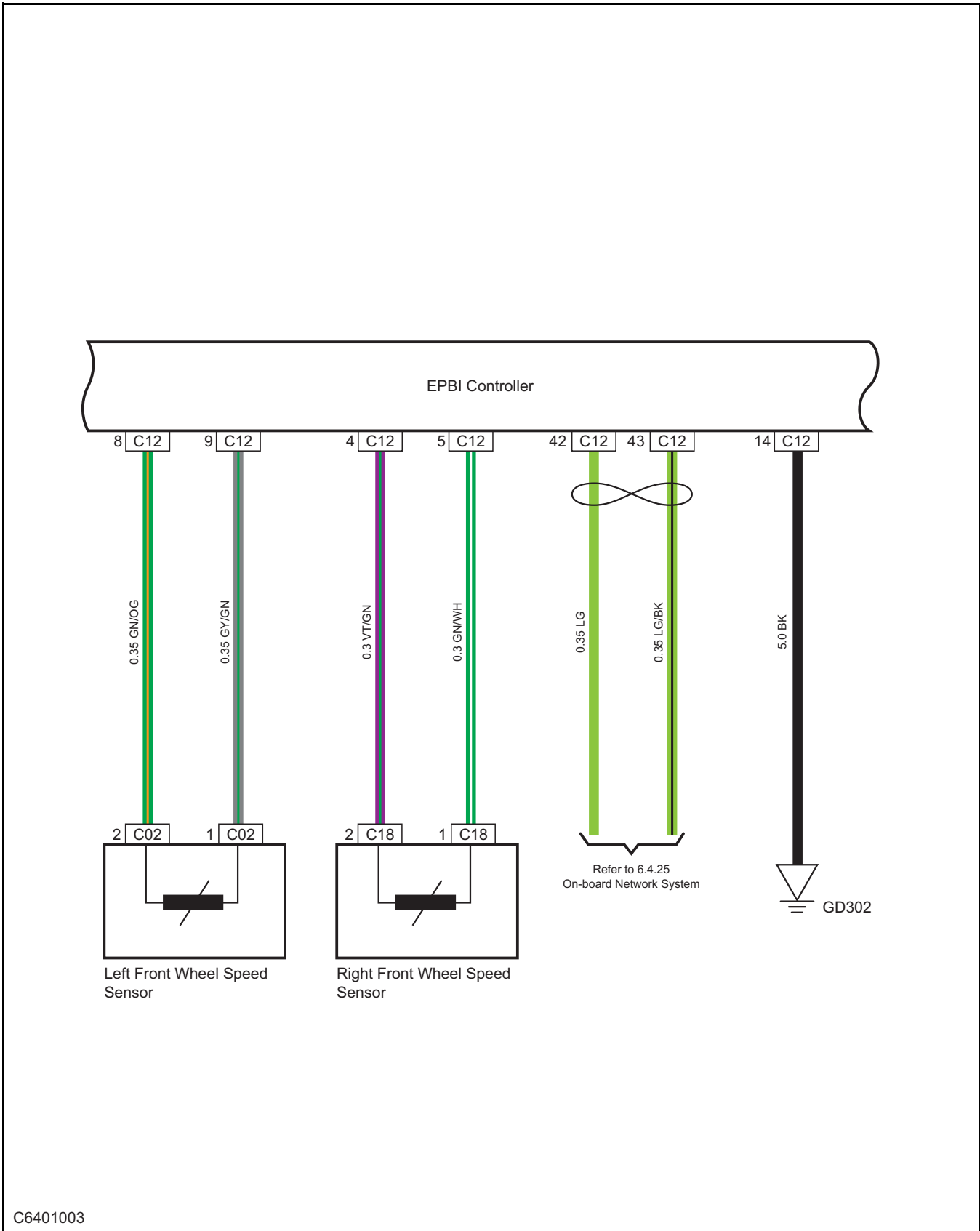


Central Box Switch Box (Low Configuration)



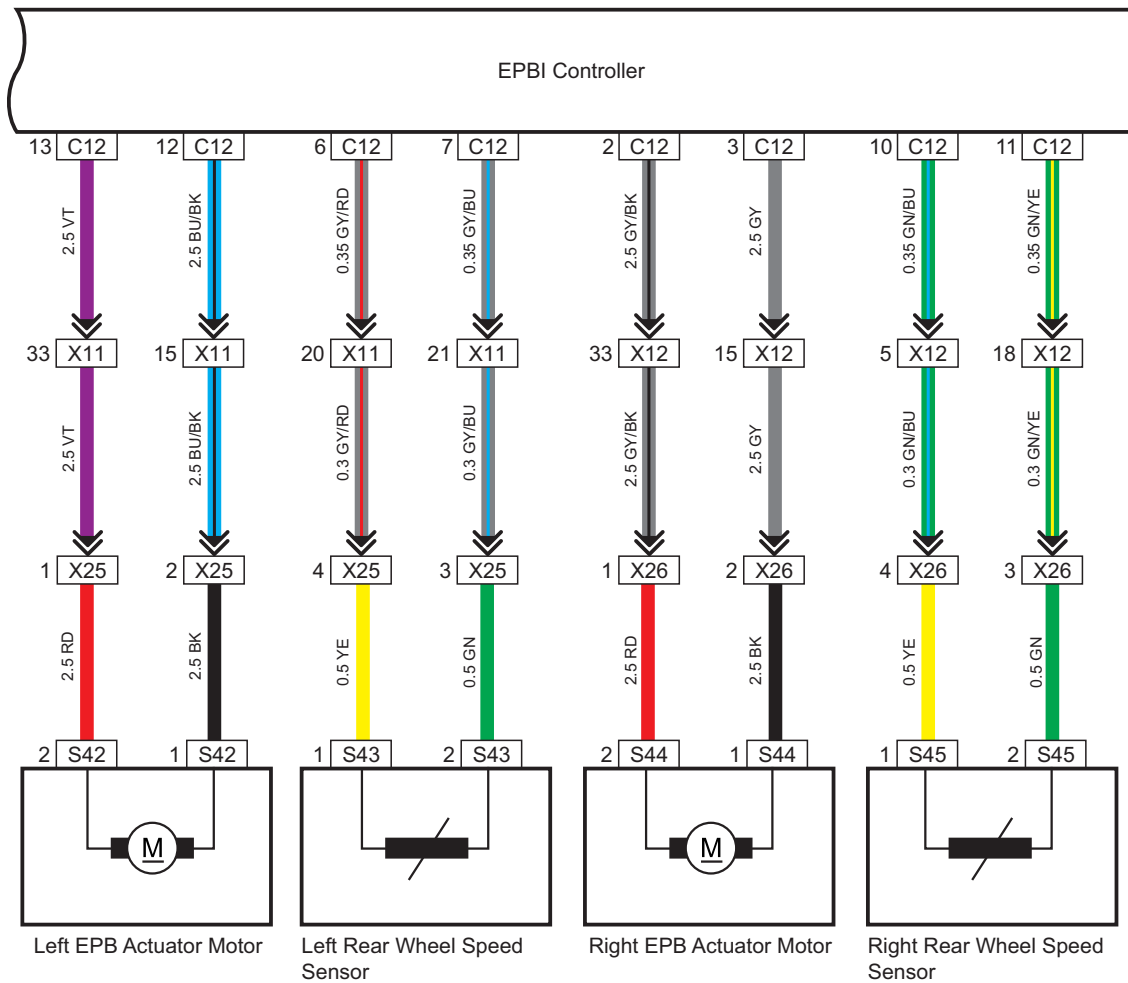
C6401002

Front Wheel Speed Sensor



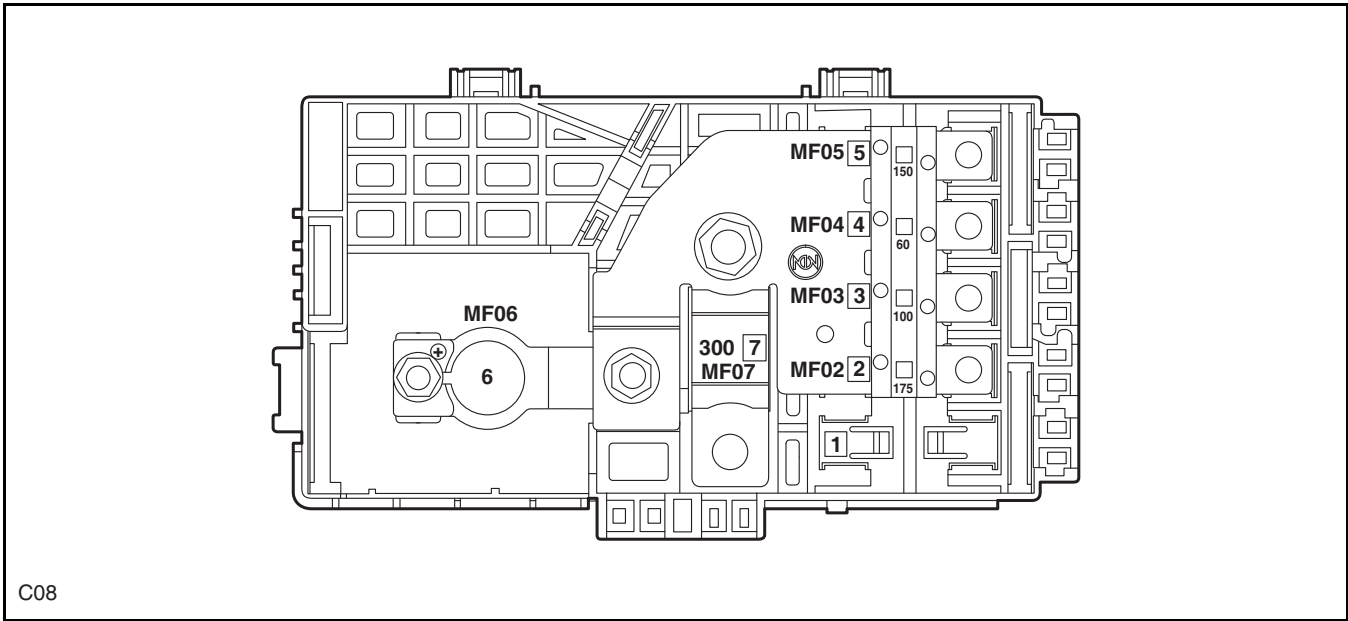
C6401003

EPB Actuator Motor/Rear Wheel Speed Sensor



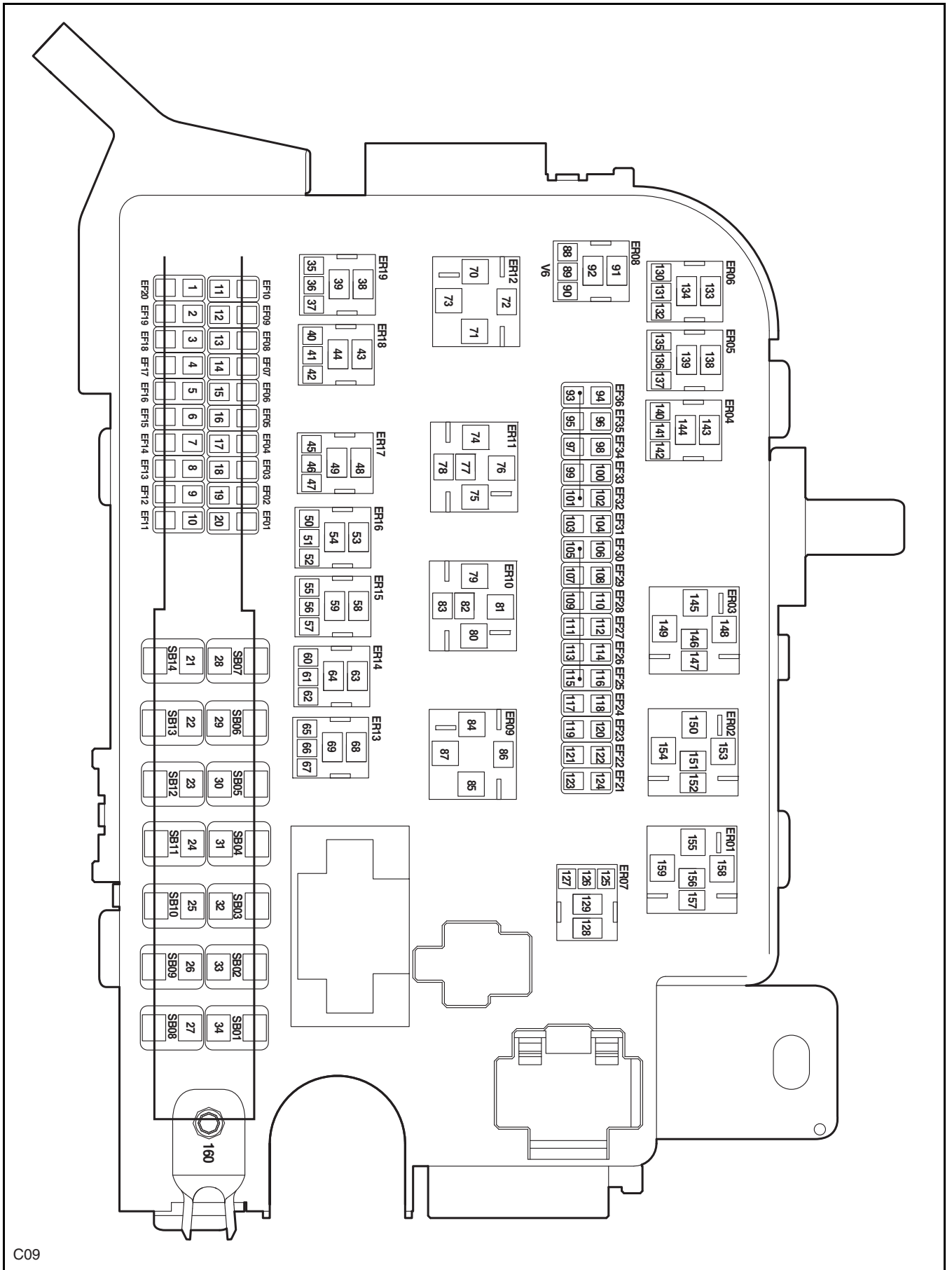
C6401004

Battery Fuse Box



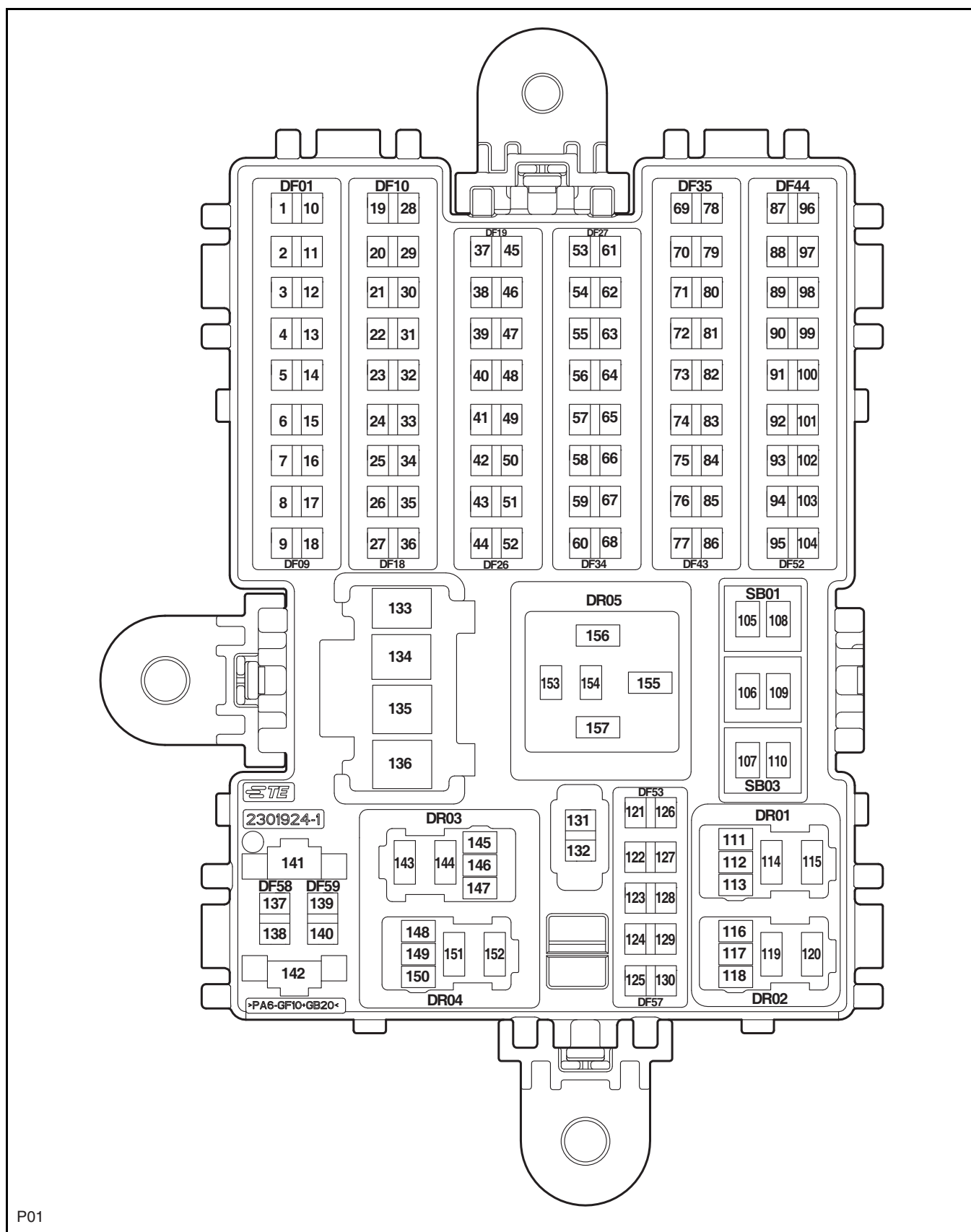
C08

Engine Compartment Fuse Box



C09

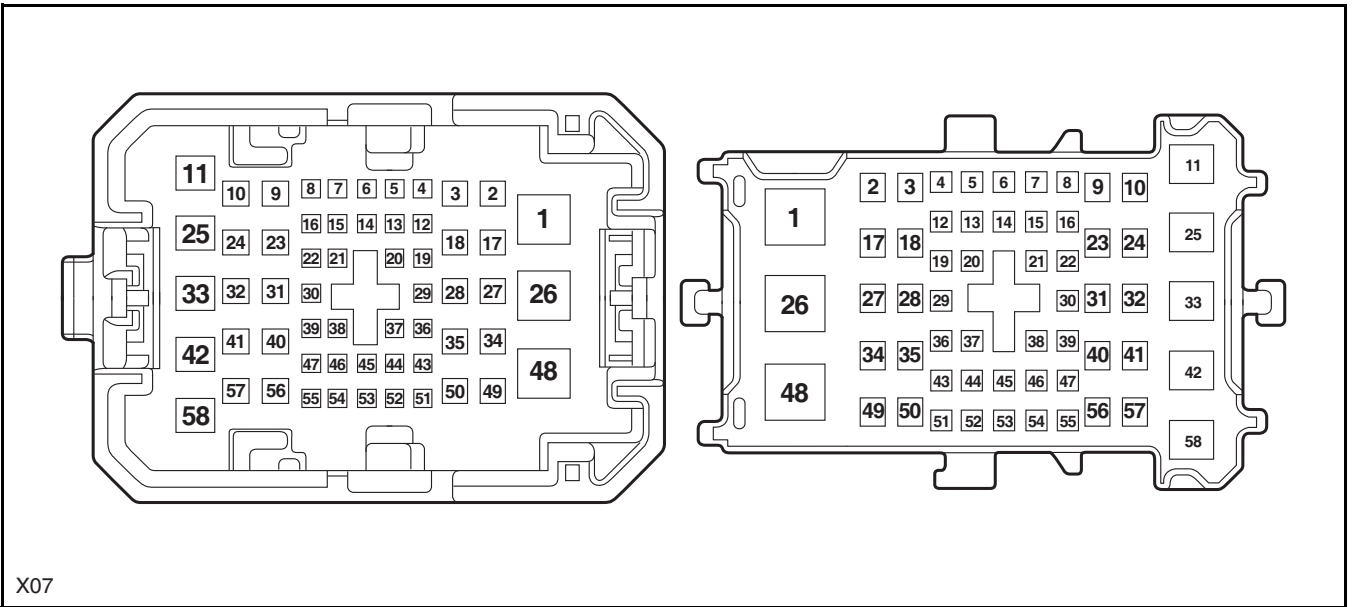
Instrument Panel Fuse Box



P01

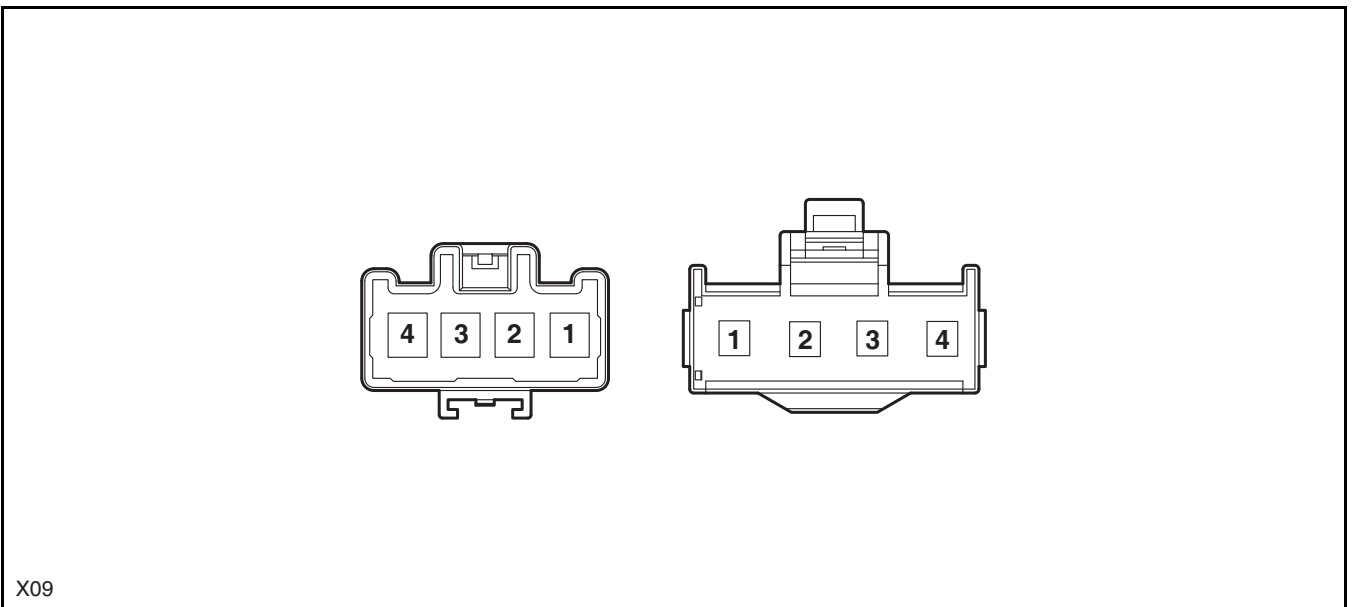
Engine Compartment Wiring Harness to Instrument Panel Wiring Harness (Left 1)

Instrument Panel Wiring Harness (Left 1) to Engine Compartment Wiring Harness



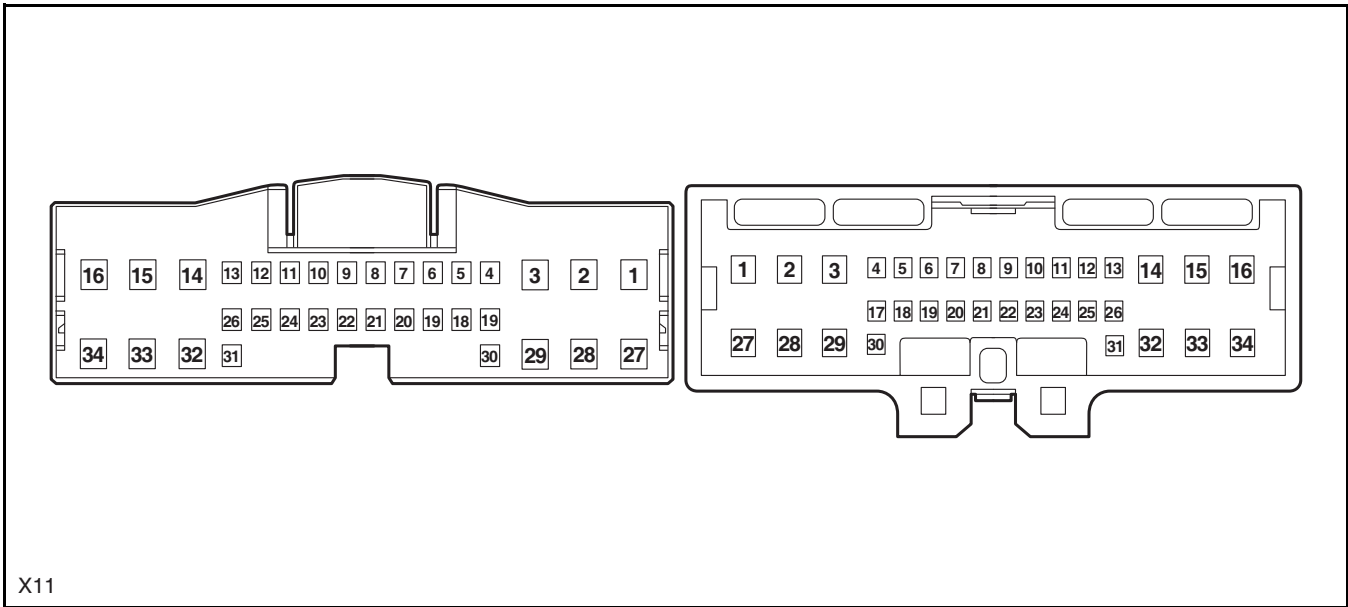
Engine Compartment Wiring Harness to Instrument Panel Wiring Harness (Left 3)

Instrument Panel Wiring Harness (Left 3) to Engine Compartment Wiring Harness



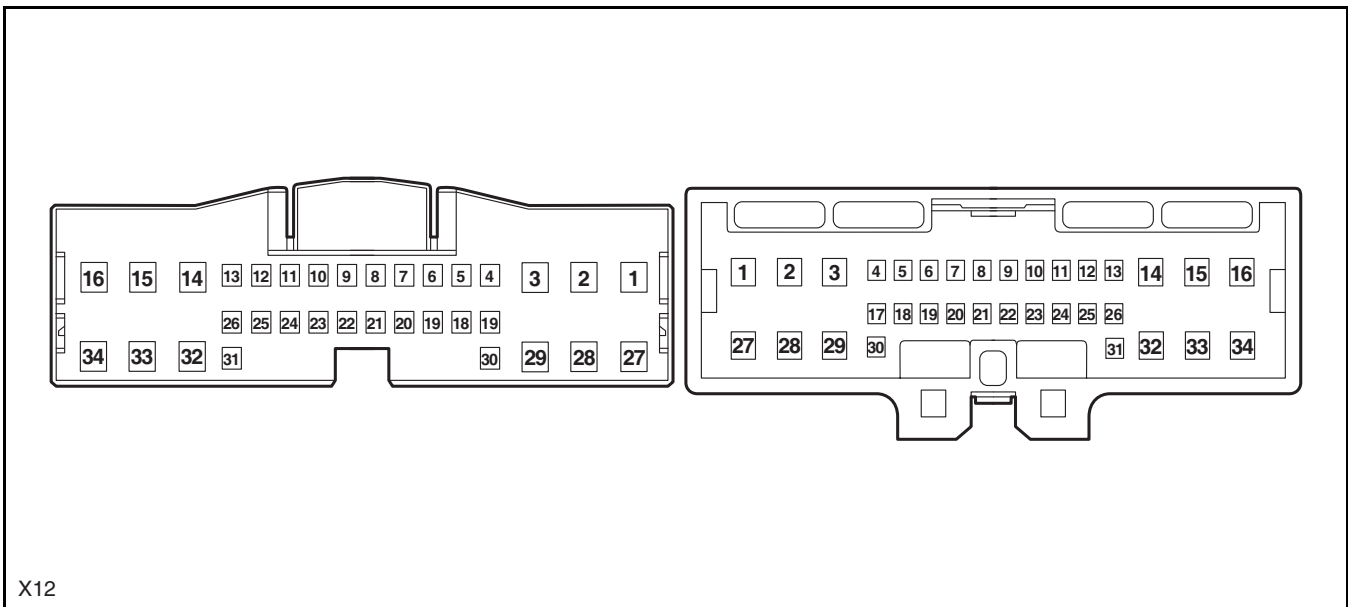
Engine Compartment Wiring Harness to Chassis Wiring Harness (Left 1)

Chassis Wiring Harness (Left 1) to Engine Compartment Wiring Harness



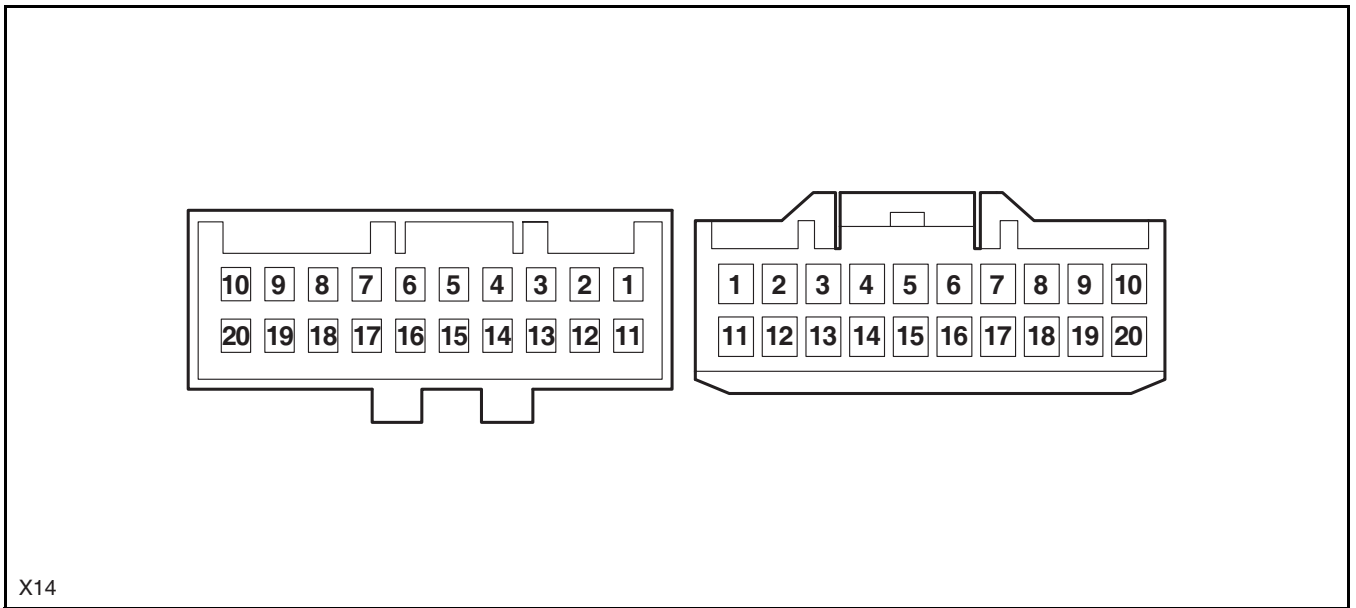
Engine Compartment Wiring Harness to Chassis Wiring Harness (Right 1)

Chassis Wiring Harness (Right 1) to Engine Compartment Wiring Harness



Chassis Wiring Harness to Instrument Panel Wiring Harness (Middle 1)

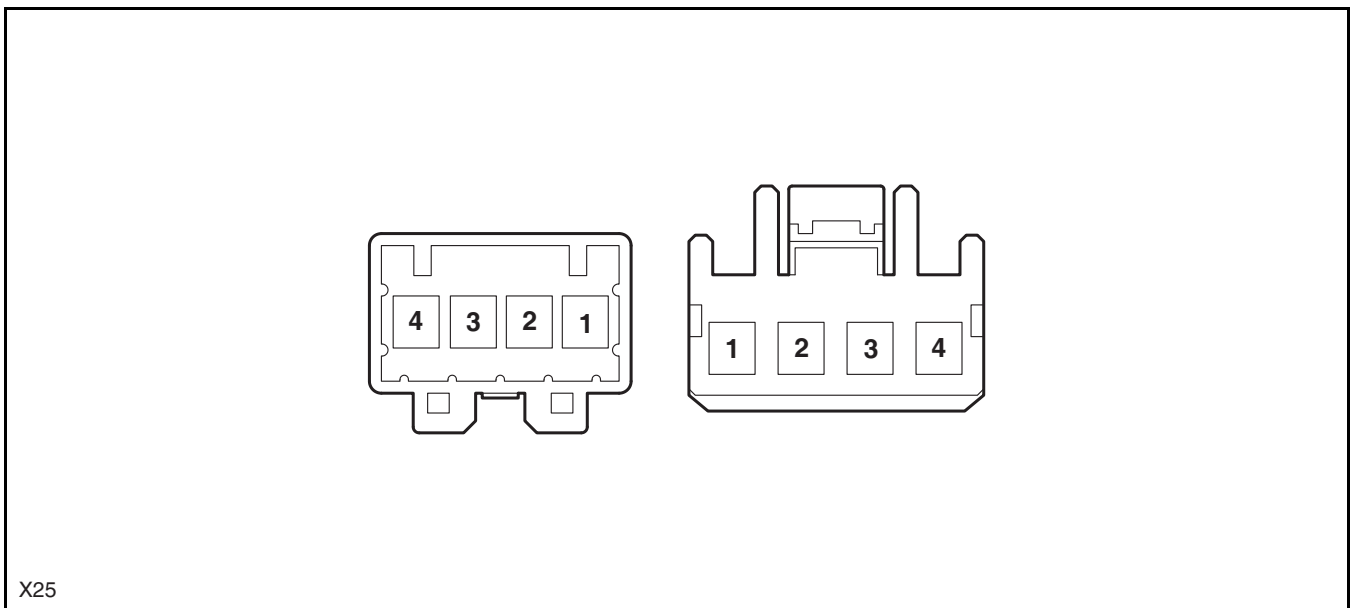
Instrument Panel Wiring Harness (Middle 1) to Chassis Wiring Harness



X14

Chassis Wiring Harness to Electronic Parking Brake Motor Wiring Harness (Left)

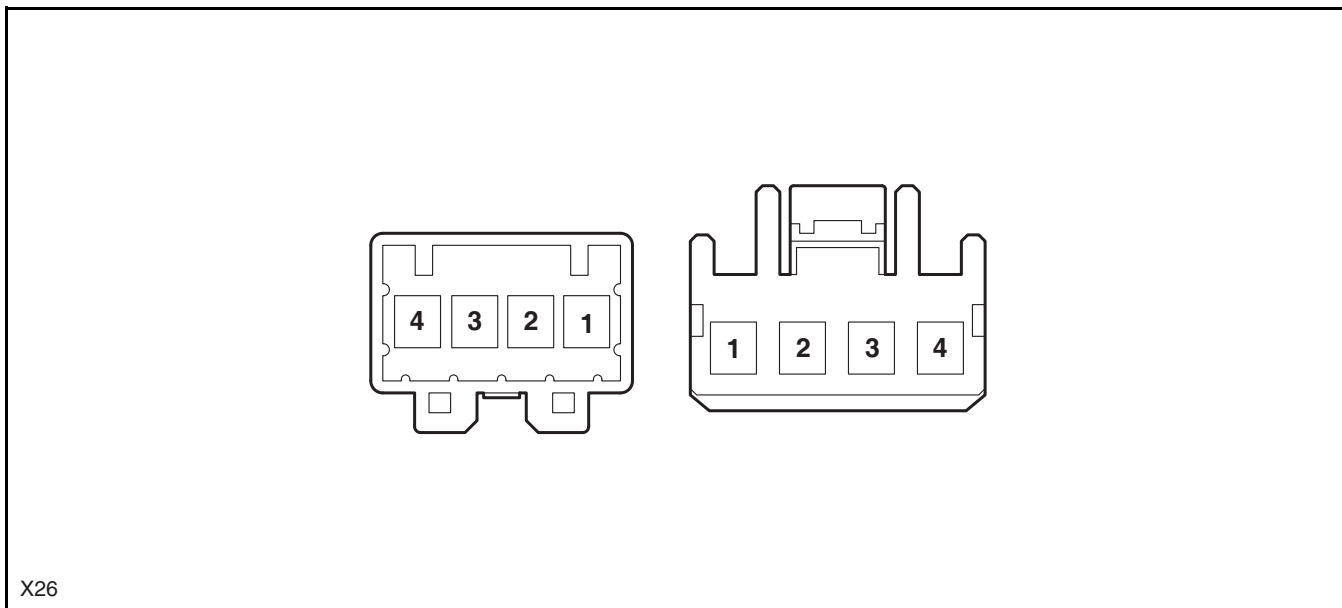
Electronic Parking Brake Motor Wiring Harness (Left) to Chassis Wiring Harness



X25

Chassis Wiring Harness to Electronic Parking Brake Motor Wiring Harness (Right)

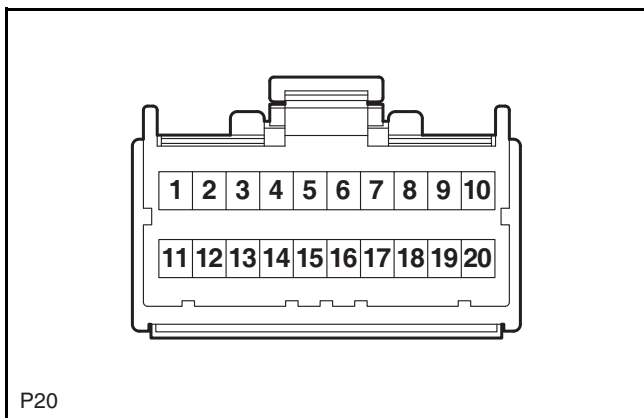
Electronic Parking Brake Motor Wiring Harness (Right) to Chassis Wiring Harness



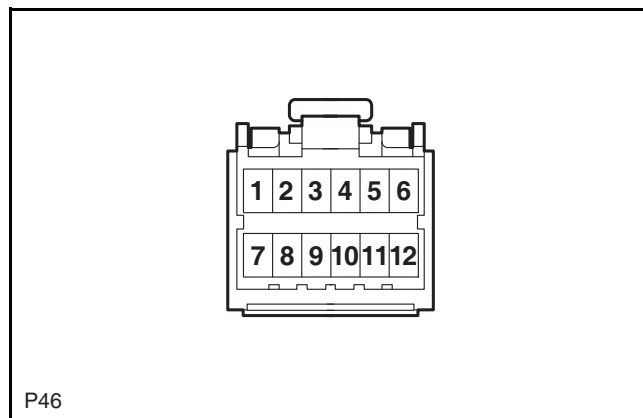
X26

Central Box Switch Box

Central Box Switch Box (Low Configuration)



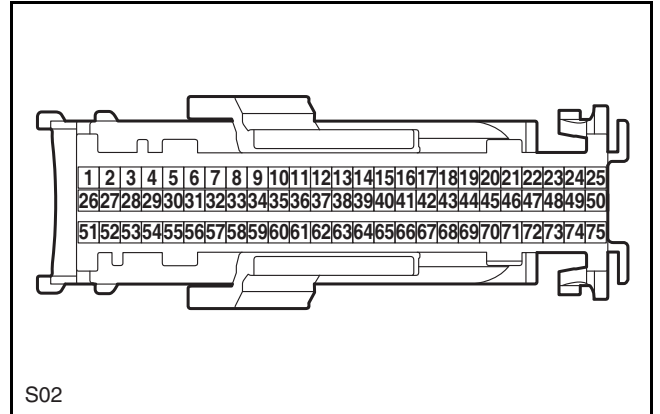
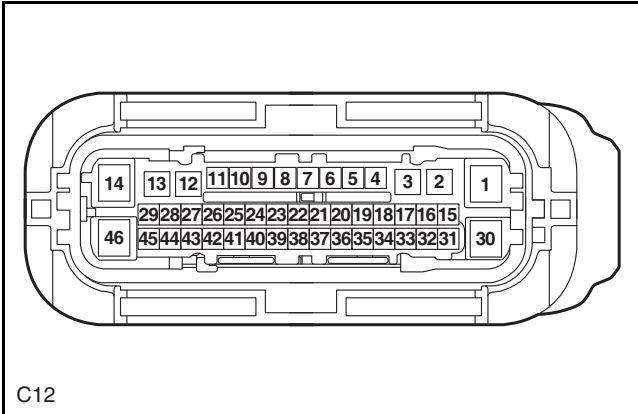
P20



P46

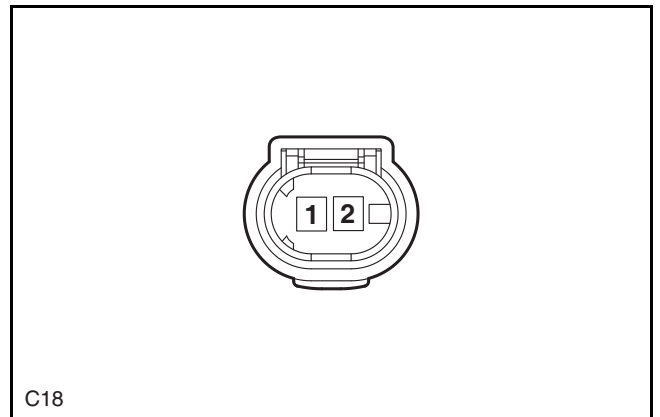
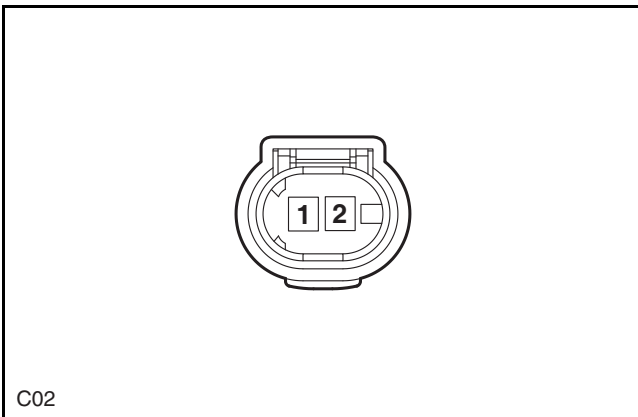
EPBI Controller

BDC-J3 (Chassis)

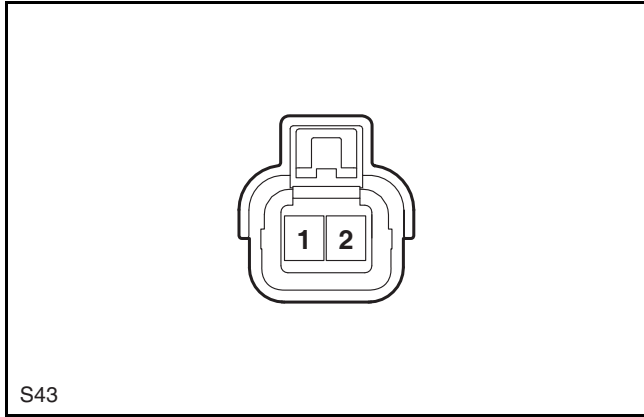


Left Front Wheel Speed Sensor

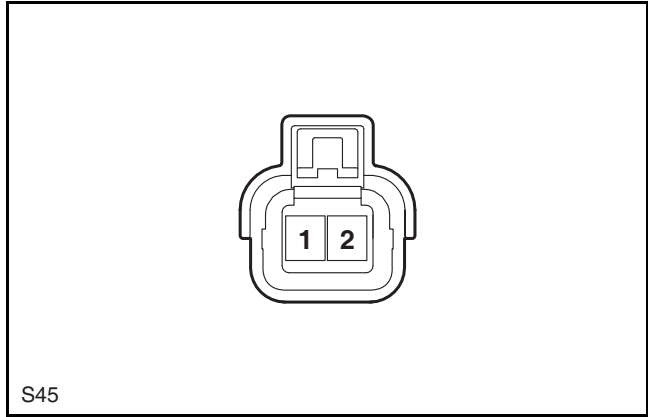
Right Front Wheel Speed Sensor



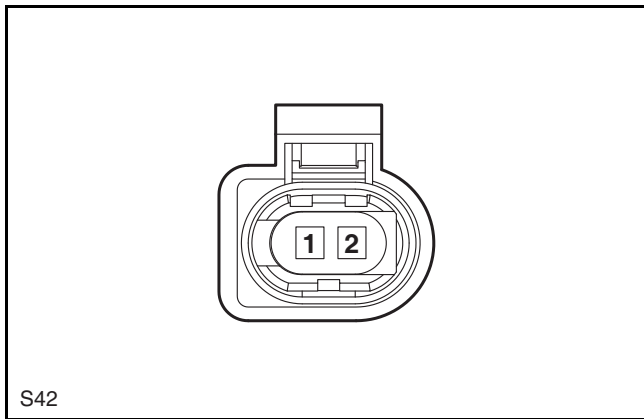
Left Rear Wheel Speed Sensor



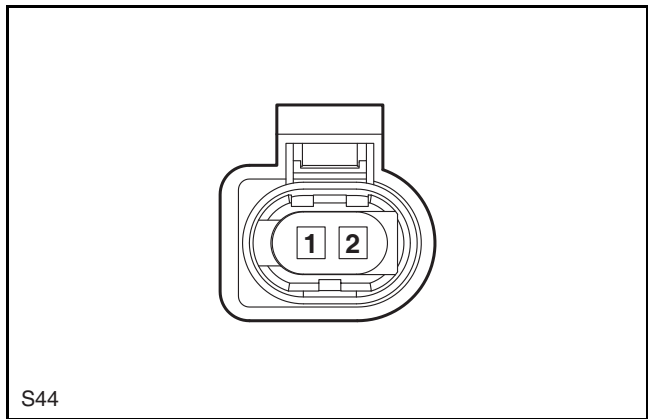
Right Rear Wheel Speed Sensor



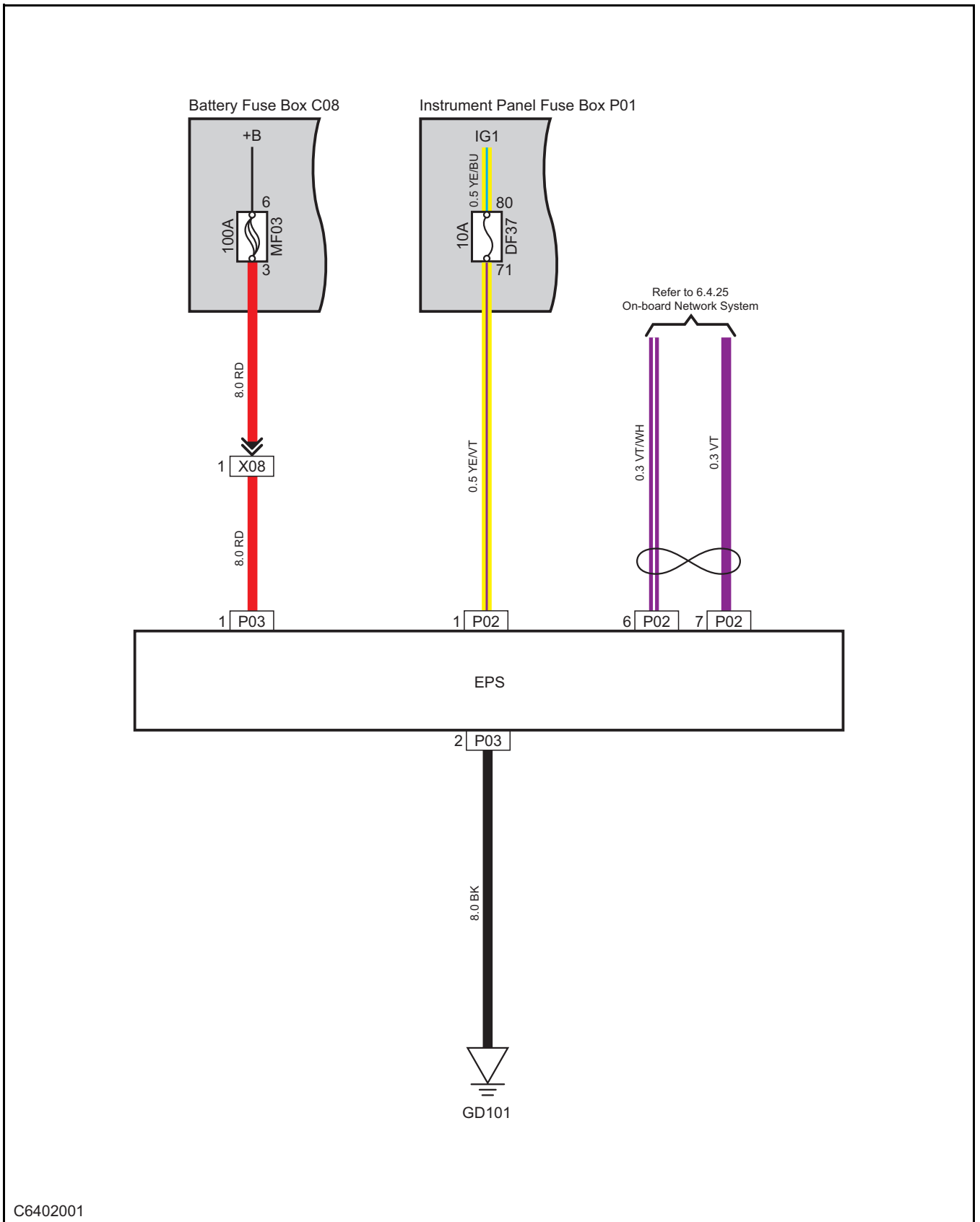
Left EPB Actuator Motor



Right EPB Actuator Motor

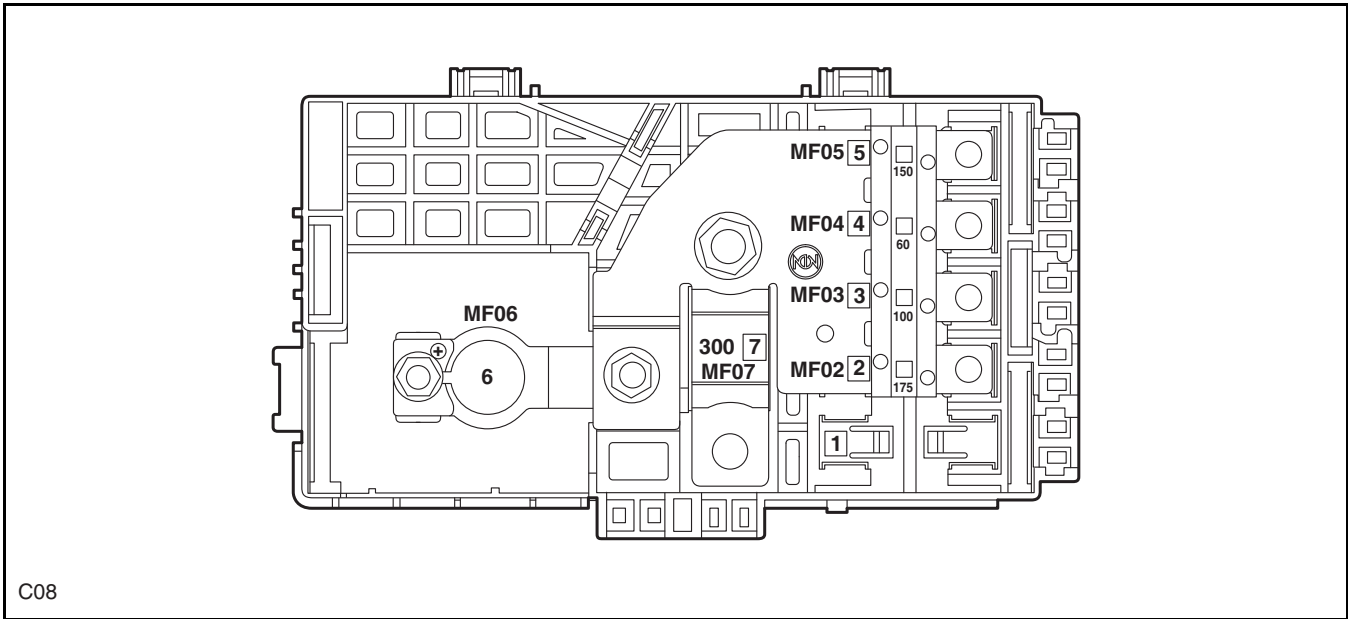


Electronic Power Steering



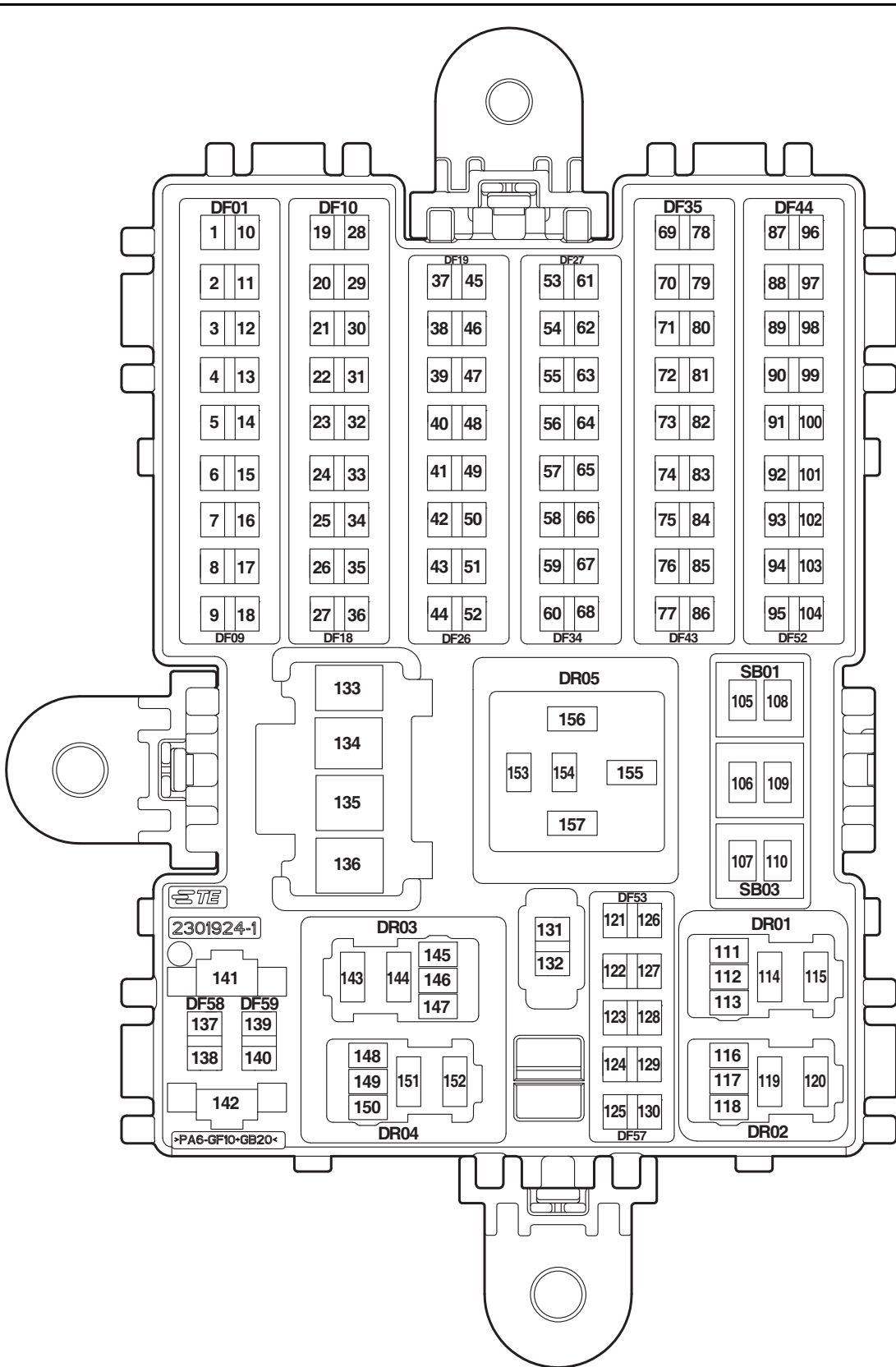
C6402001

Battery Fuse Box



C08

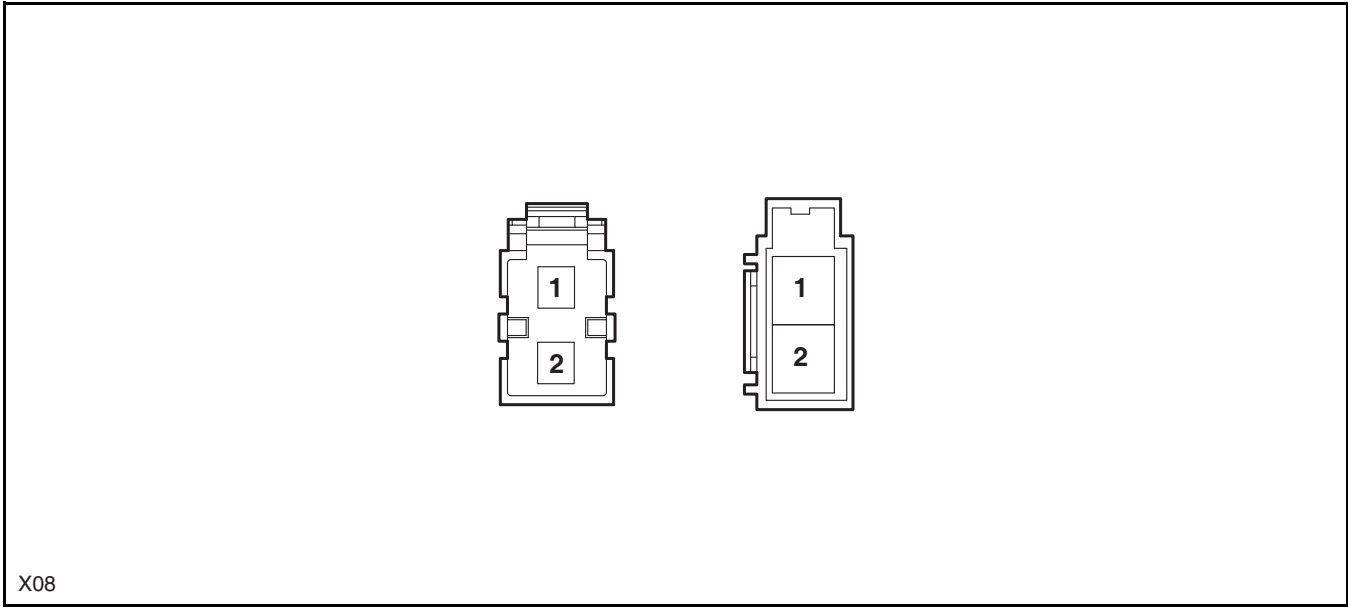
Instrument Panel Fuse Box



P01

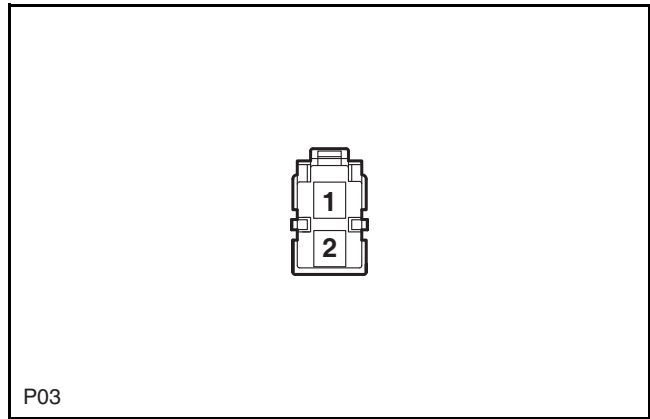
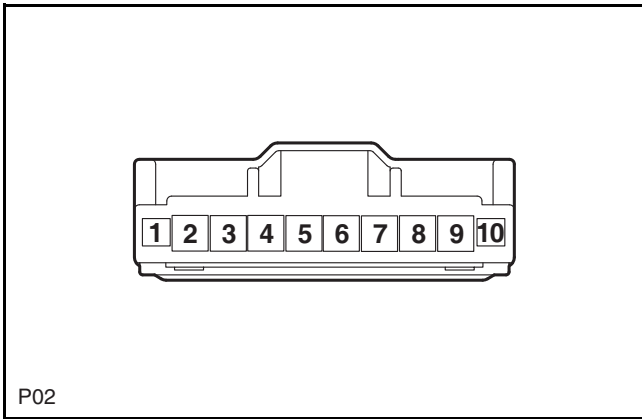
Engine Compartment Wiring Harness to Instrument Panel Wiring Harness (Left 2)

Instrument Panel Wiring Harness (Left 2) to Engine Compartment Wiring Harness

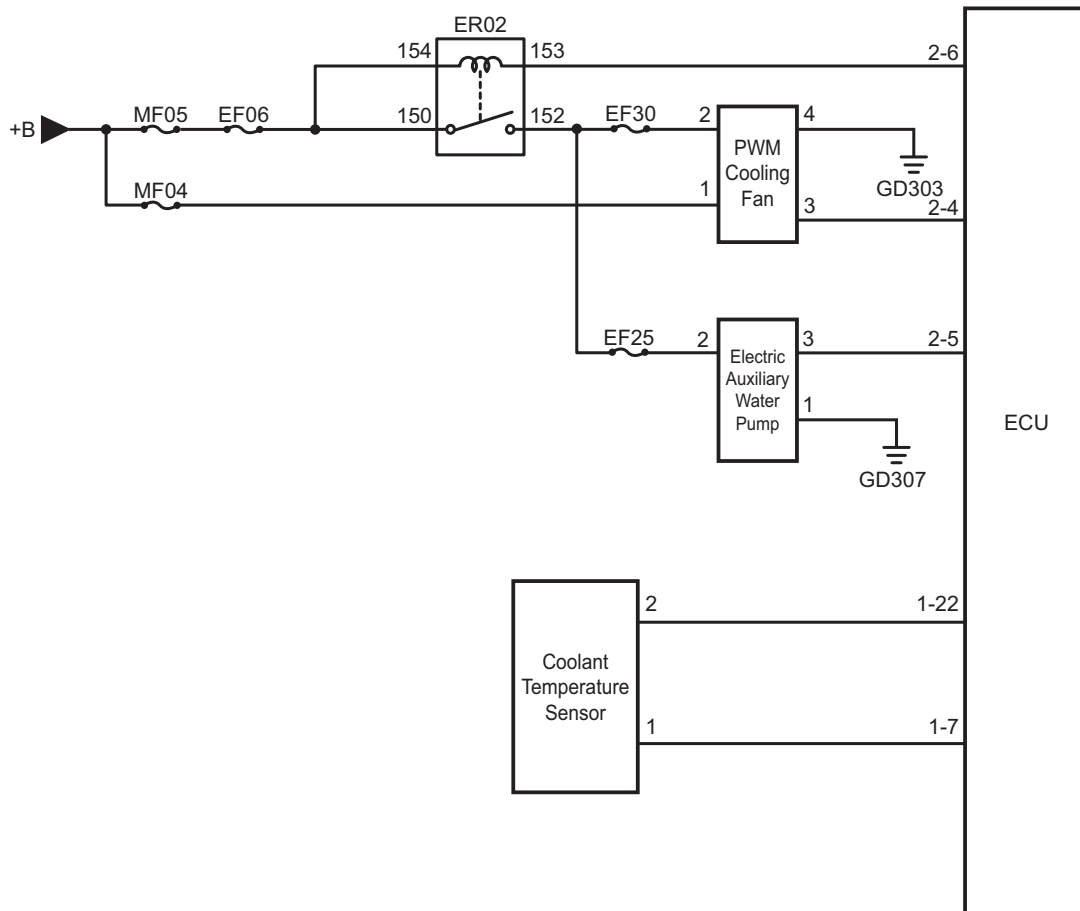


EPS Signal

EPS Power Supply

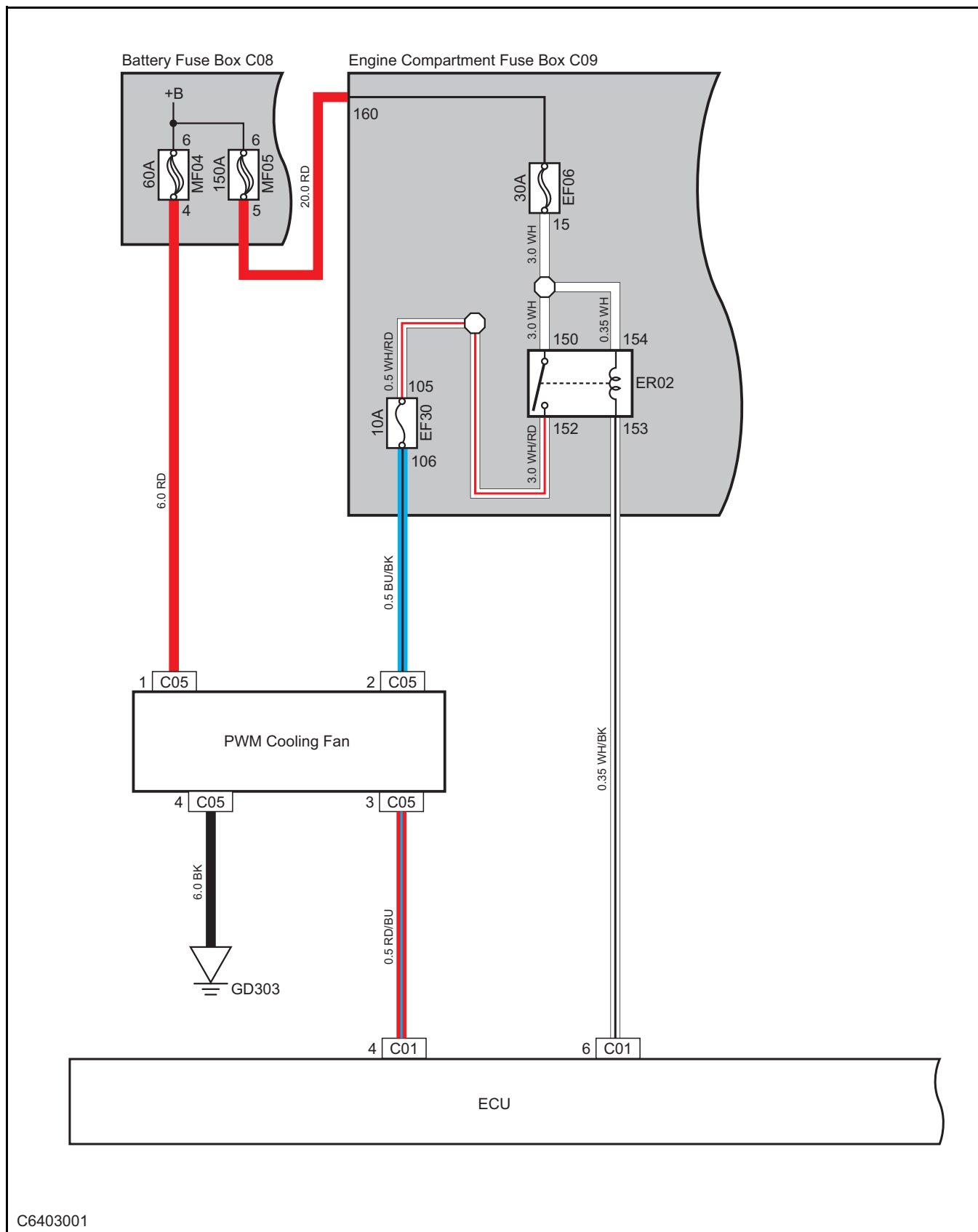


Cooling System

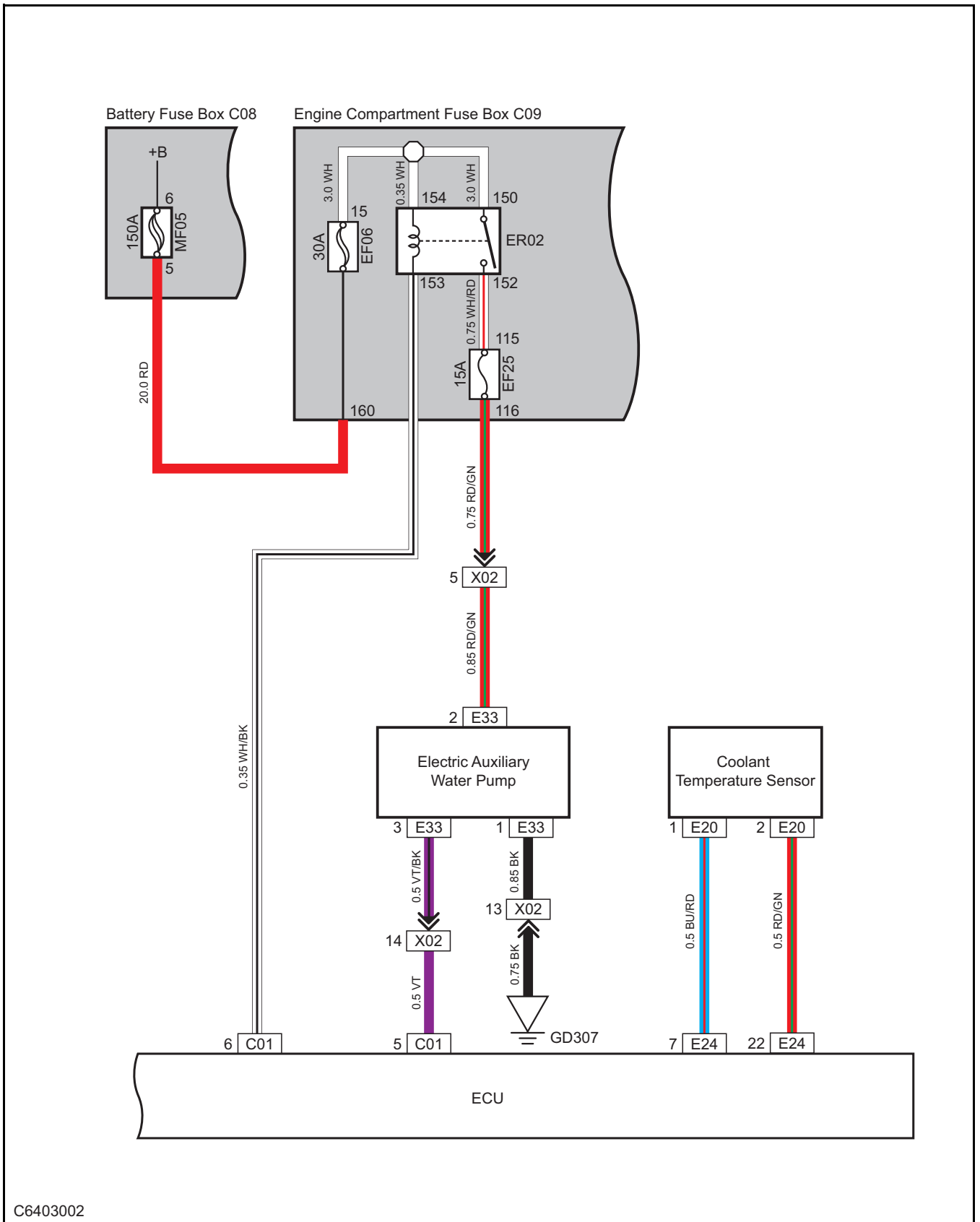


C6403003

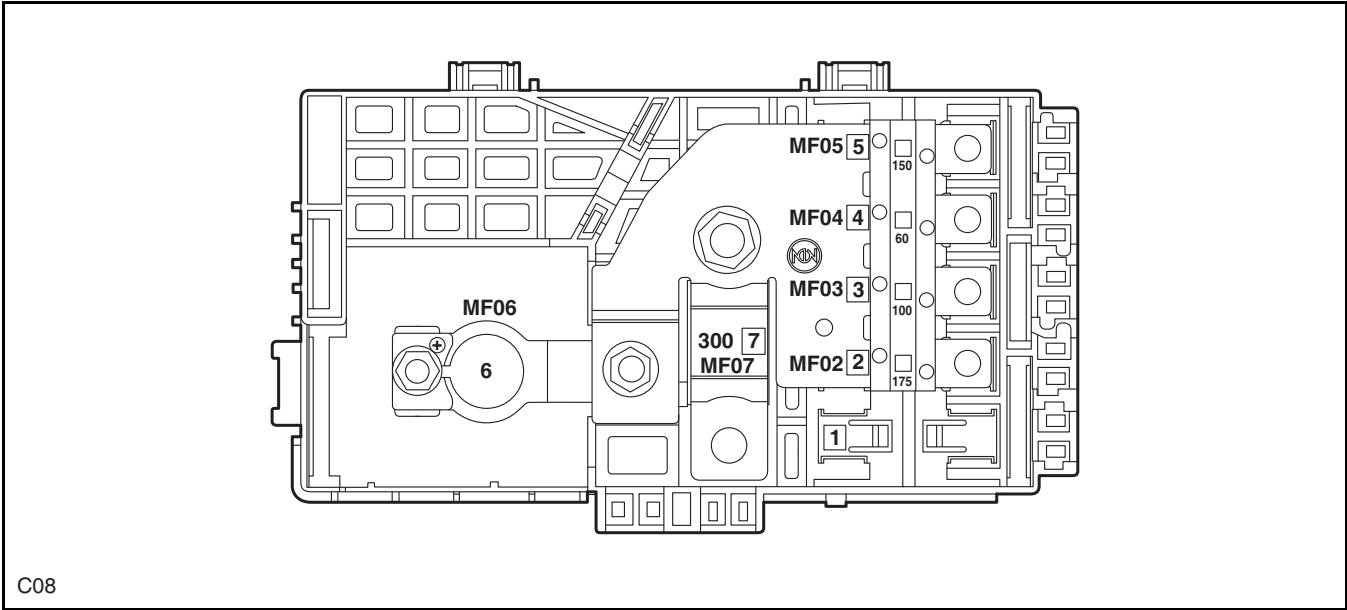
Radiator Fan



Electric Auxiliary Water Pump/Coolant Temperature Sensor

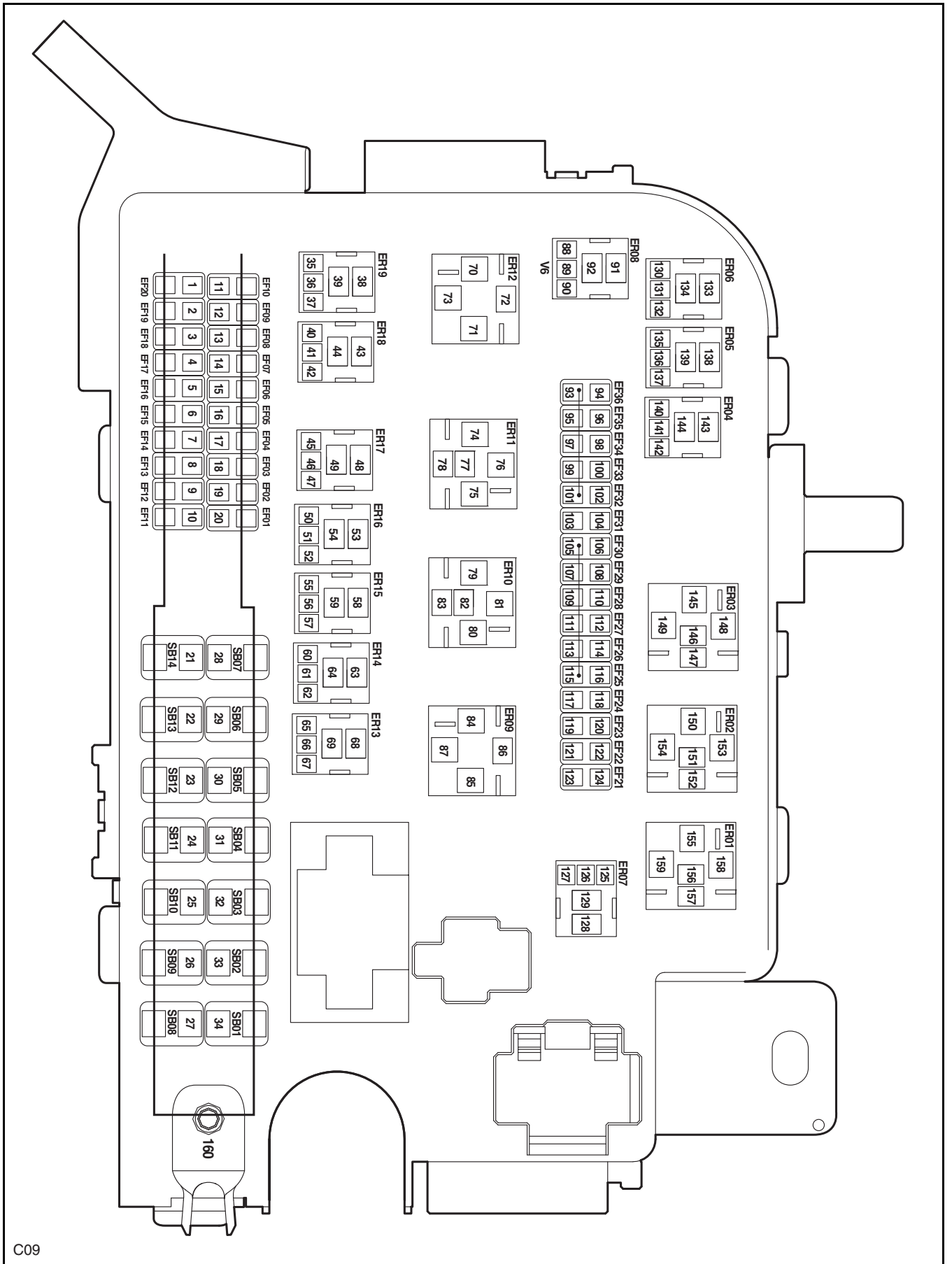


Battery Fuse Box



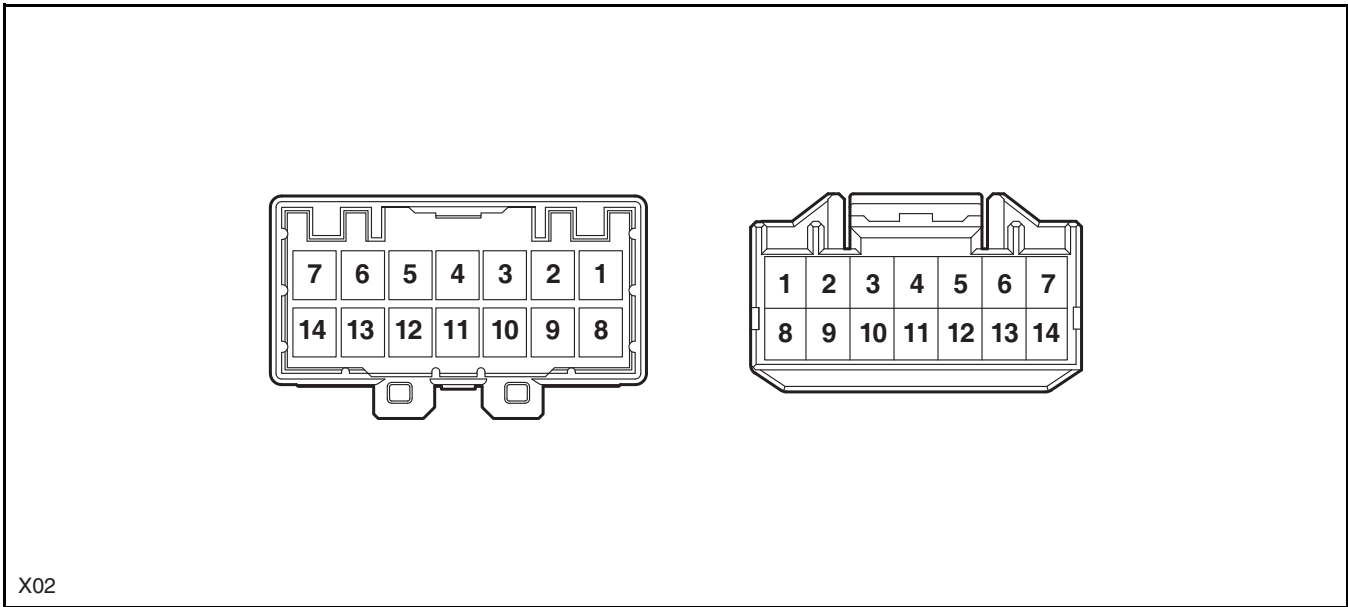
C08

Engine Compartment Fuse Box



Engine Compartment Wiring Harness to Engine Wiring Harness (2)

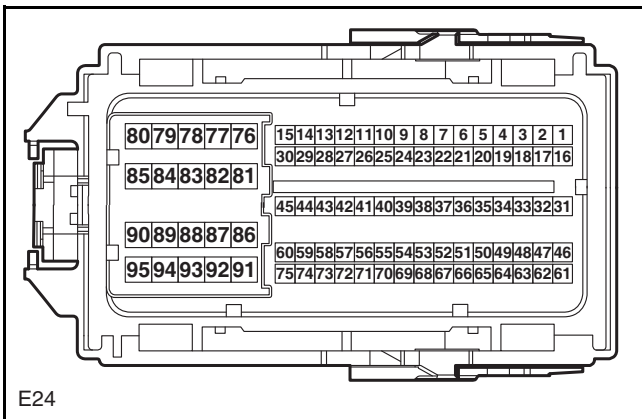
Engine Wiring Harness (2) to Engine Compartment Wiring Harness



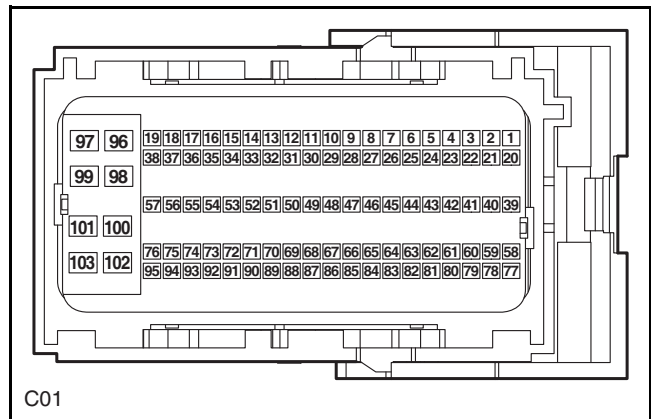
X02

ECU-1

ECU-2

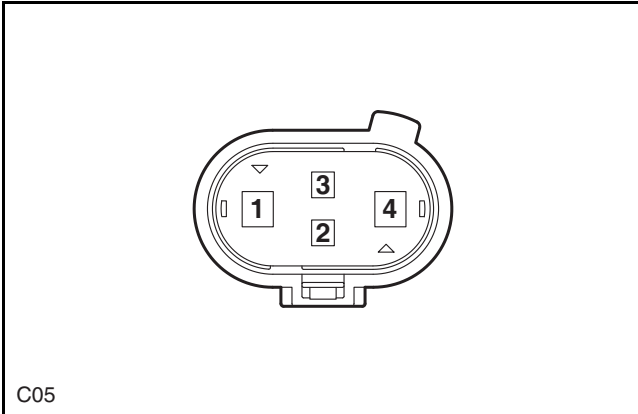


E24

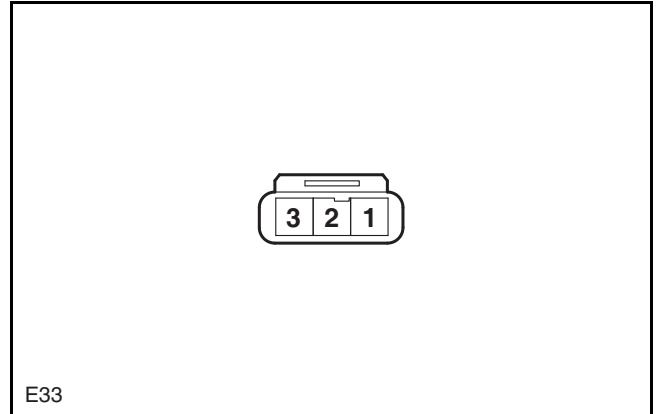


C01

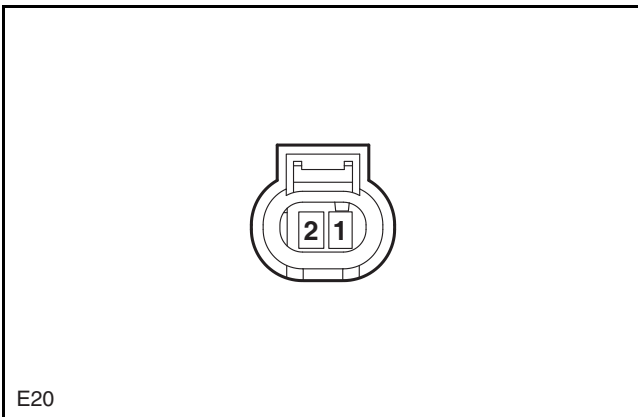
PWM Cooling Fan



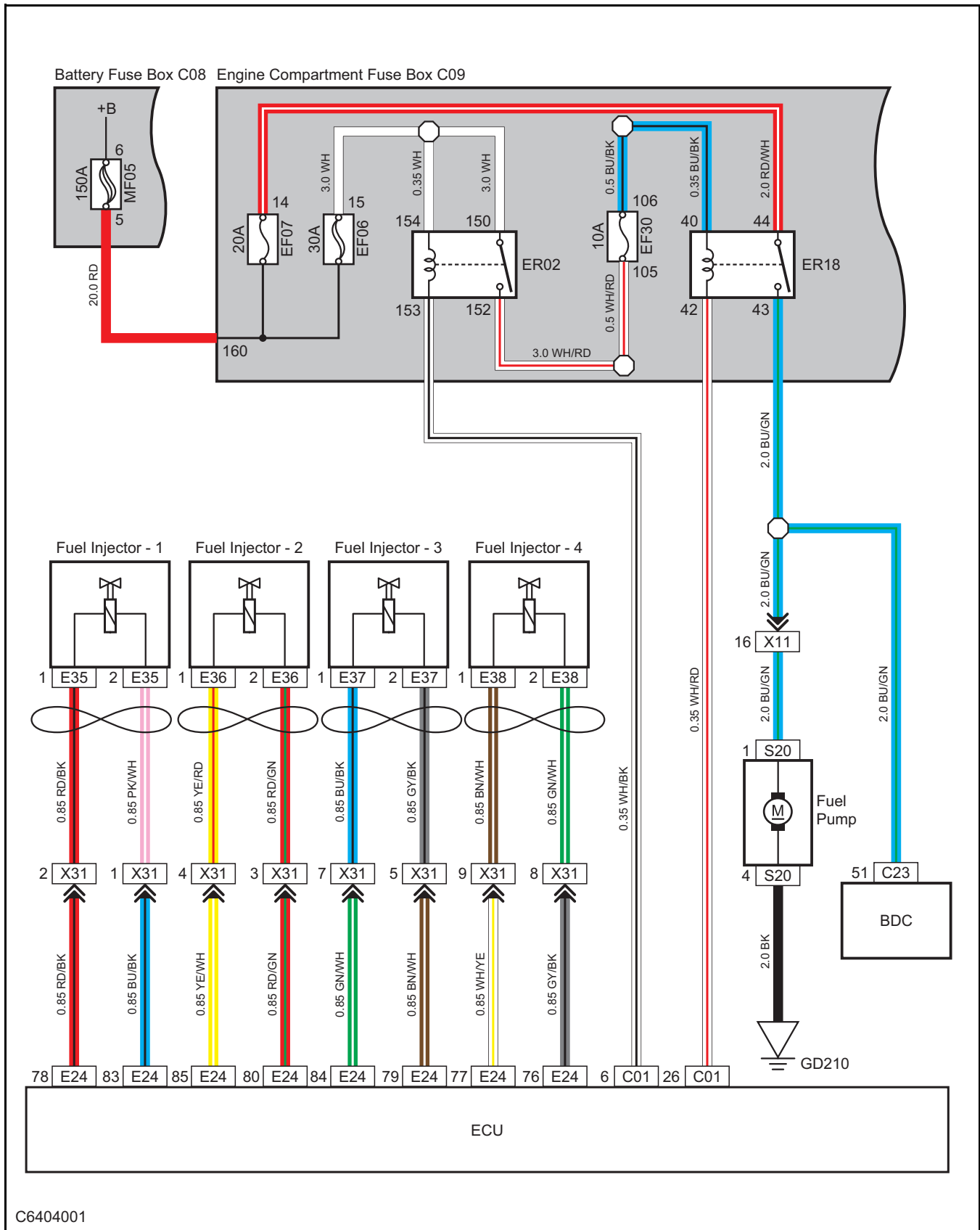
Electric Auxiliary Water Pump



Coolant Temperature Sensor

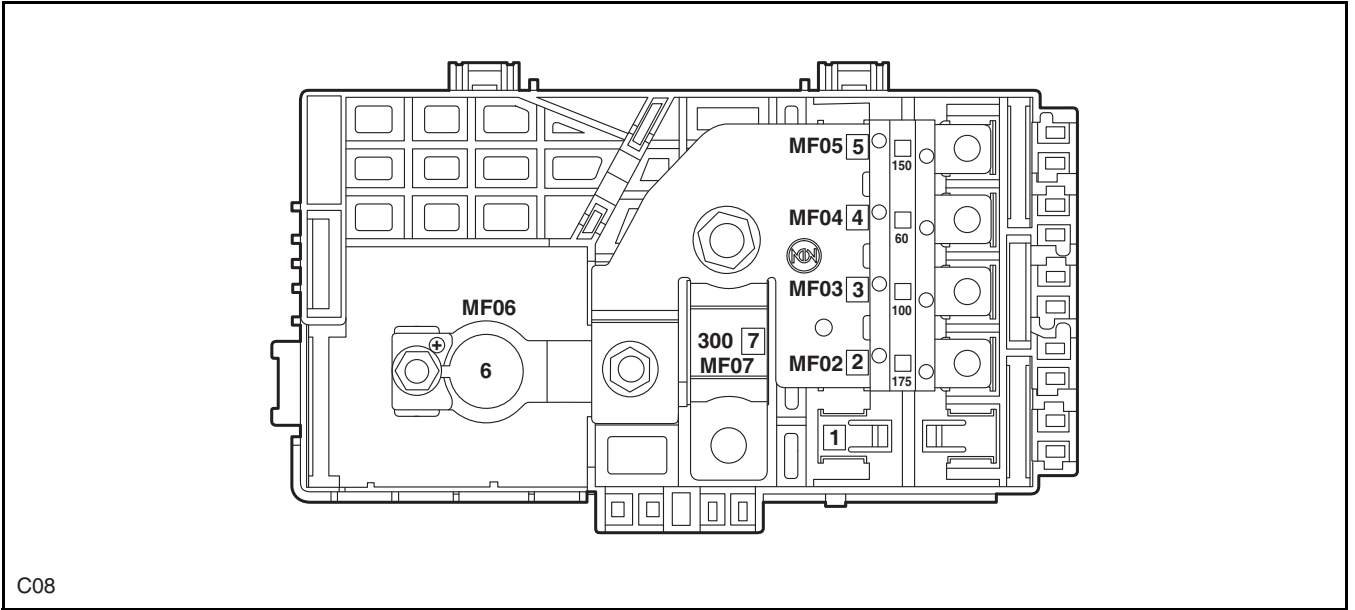


Fuel System



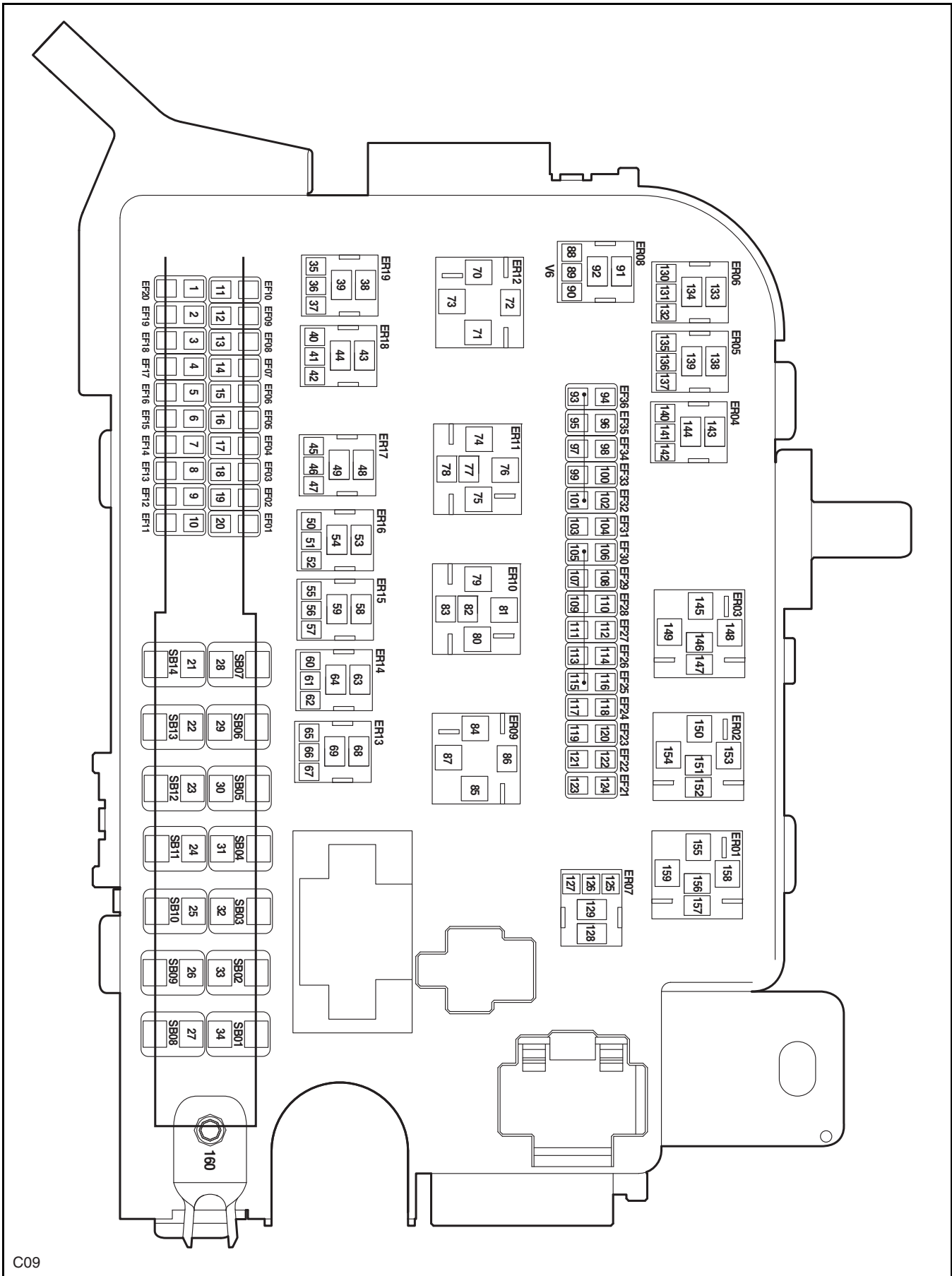
C6404001

Battery Fuse Box



C08

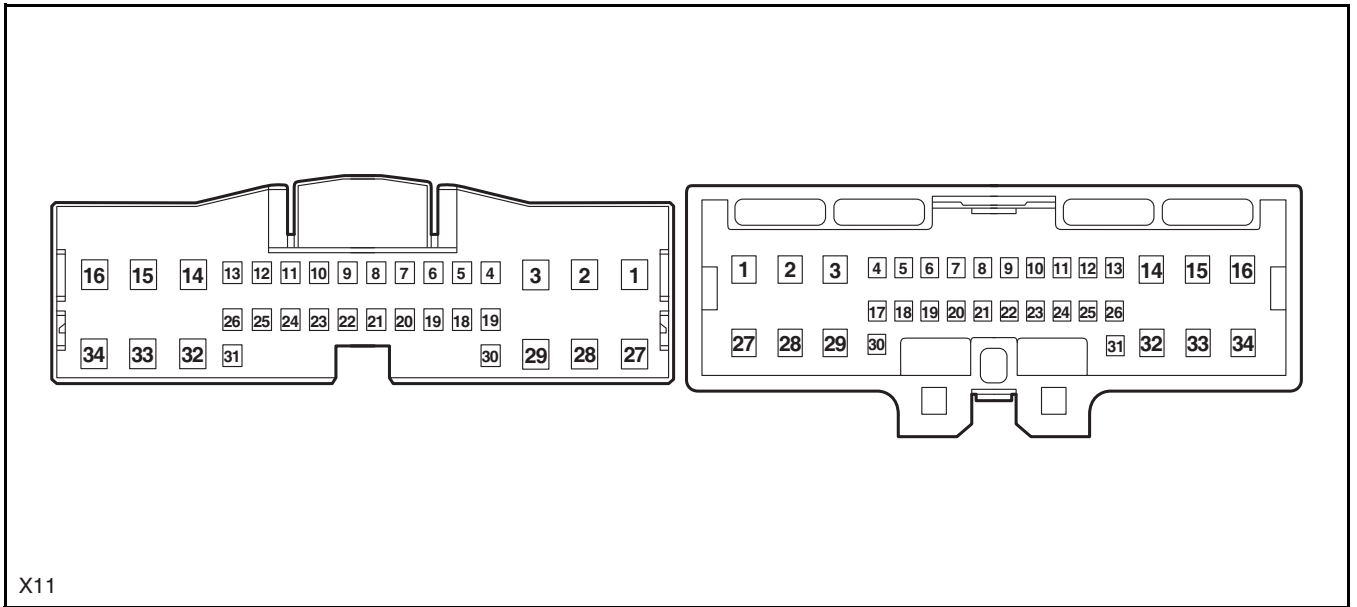
Engine Compartment Fuse Box



C09

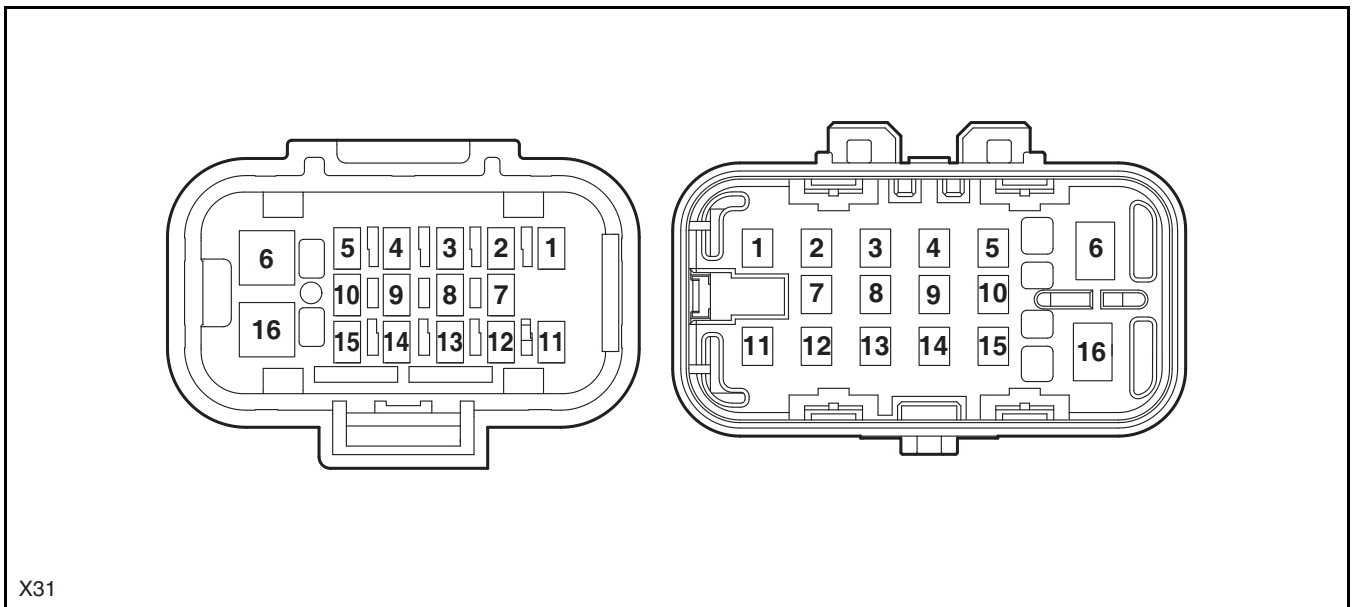
Engine Compartment Wiring Harness to Chassis Wiring Harness (Left 1)

Chassis Wiring Harness (Left 1) to Engine Compartment Wiring Harness

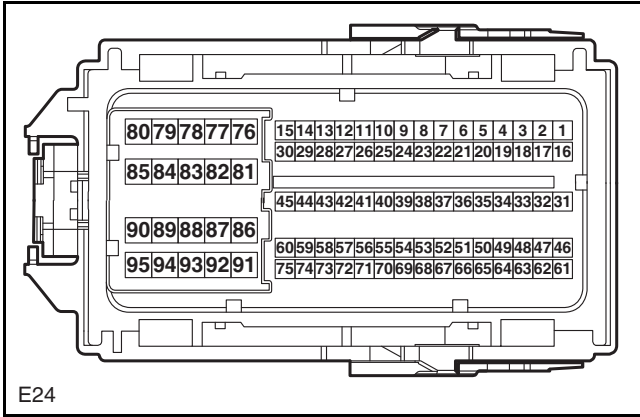


Engine Wiring Harness to Fuel Injector Wiring Harness

Fuel Injector Wiring Harness to Engine Wiring Harness

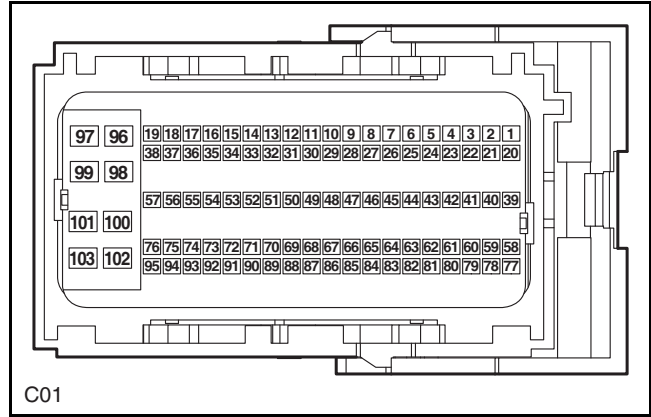


ECU-1

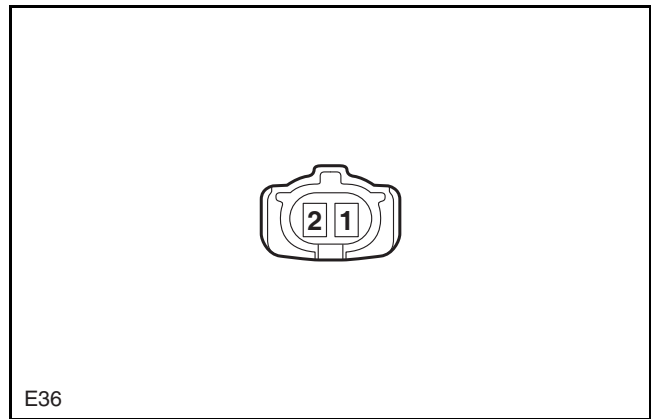
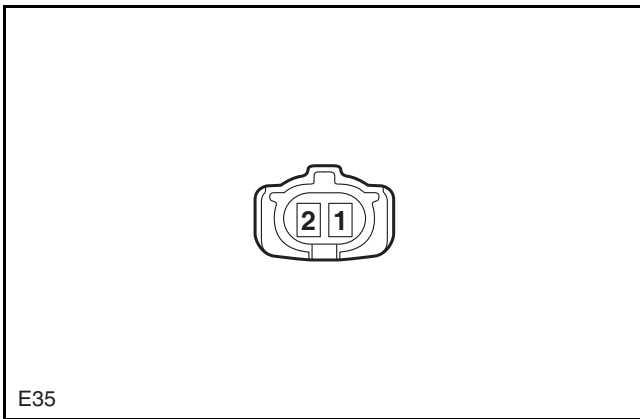


Fuel Injector -1

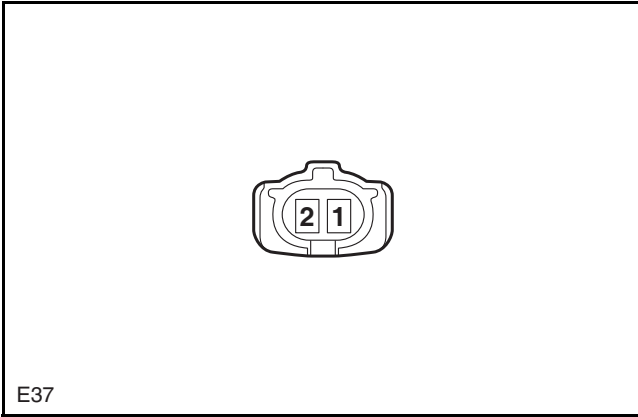
ECU-2



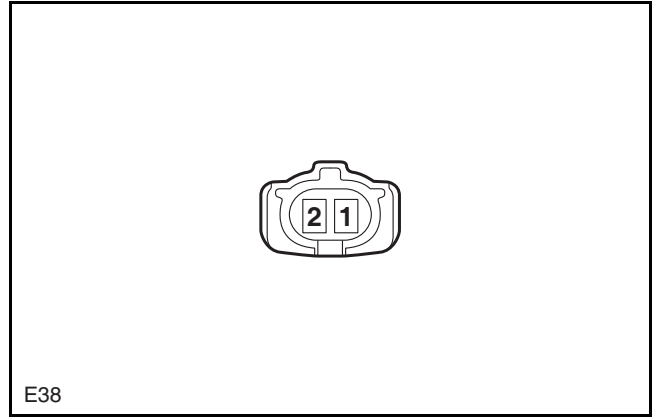
Fuel Injector -2



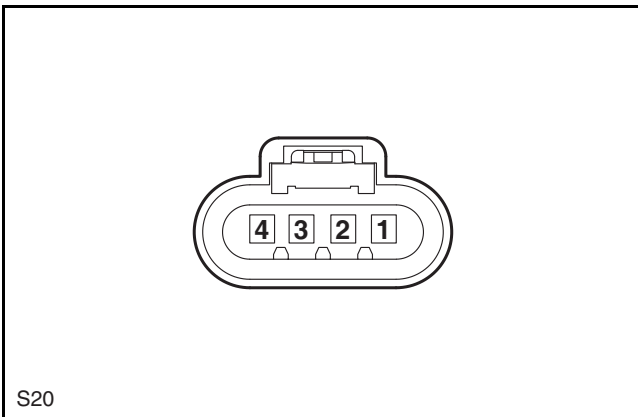
Fuel Injector -3



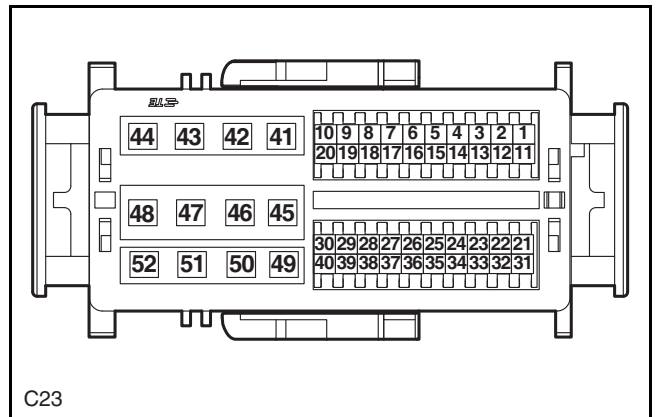
Fuel Injector -4



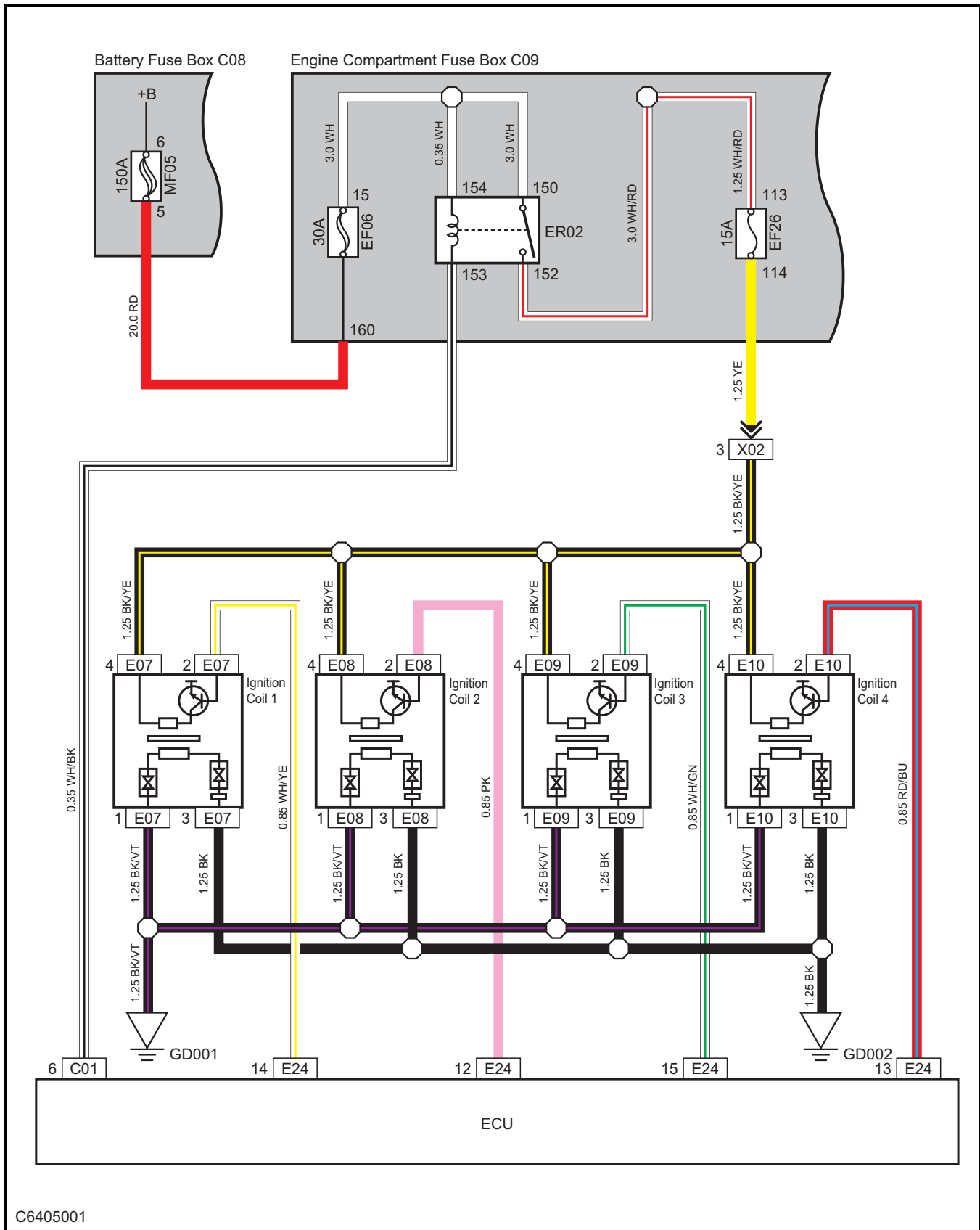
Fuel Pump



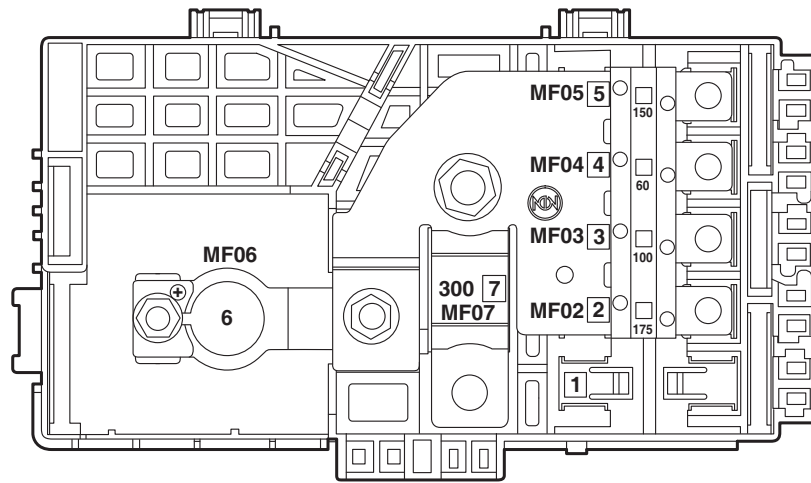
BDC-J5



Ignition System

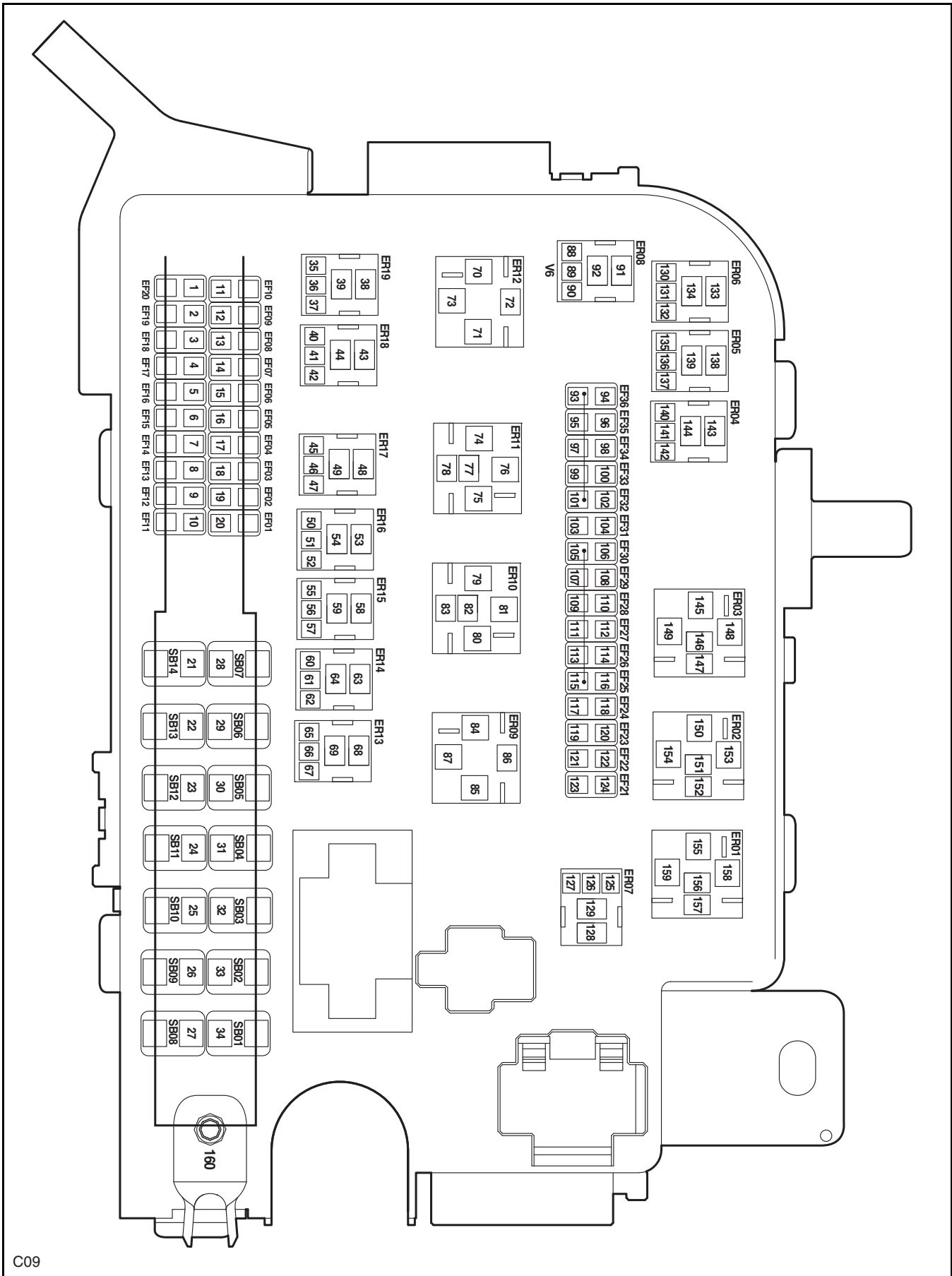


Battery Fuse Box



C08

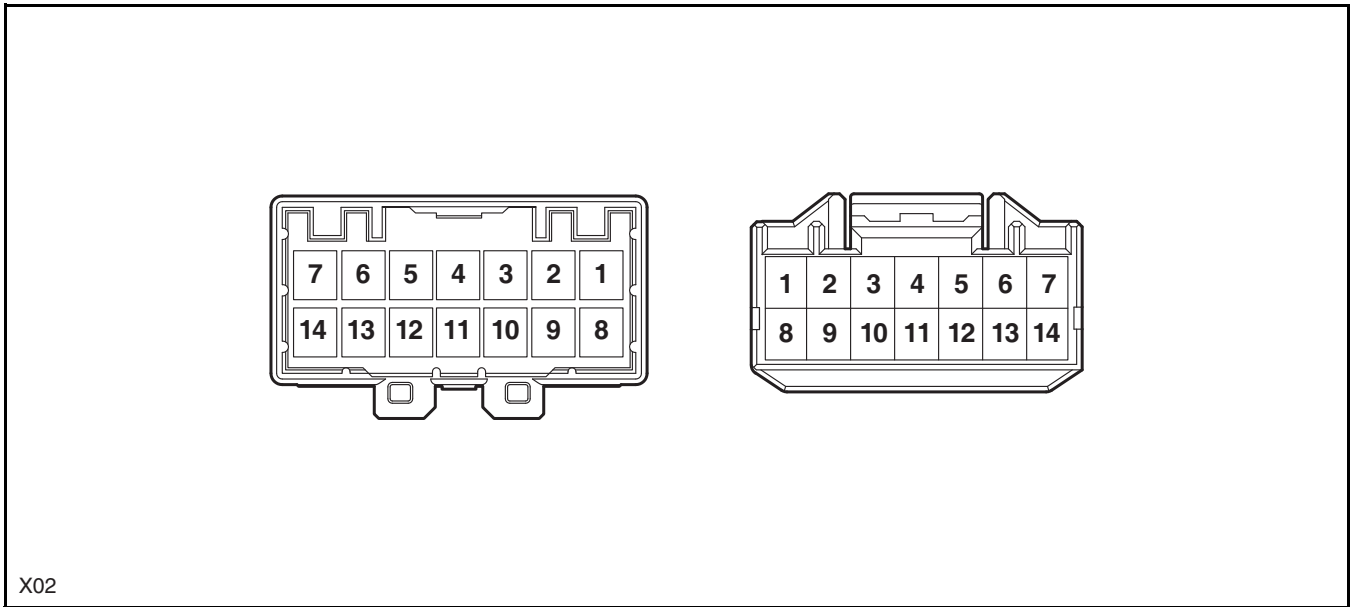
Engine Compartment Fuse Box



C09

Engine Compartment Wiring Harness to Engine Wiring Harness (2)

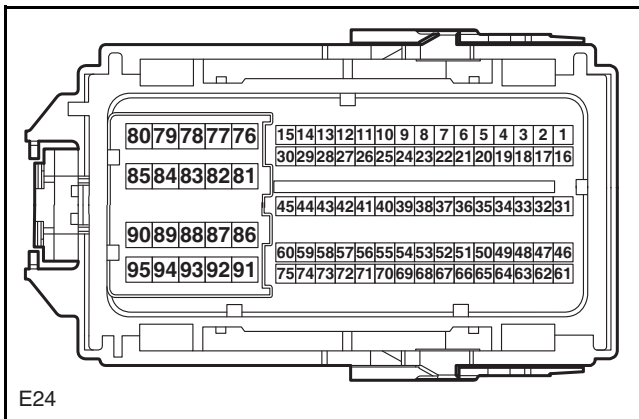
Engine Wiring Harness (2) to Engine Compartment Wiring Harness



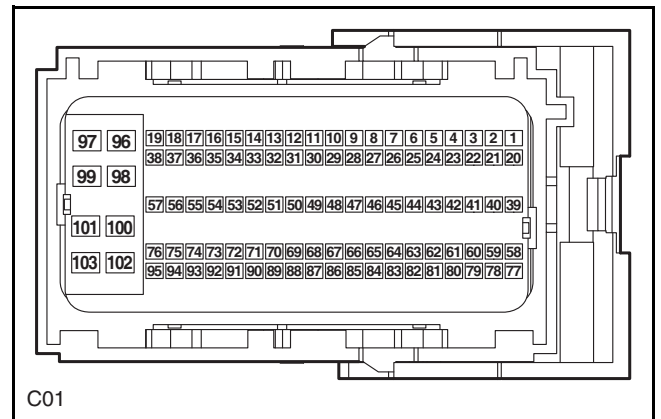
X02

ECU-1

ECU-2

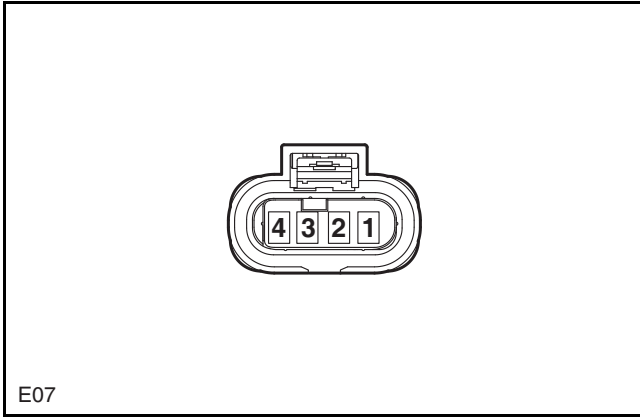


E24

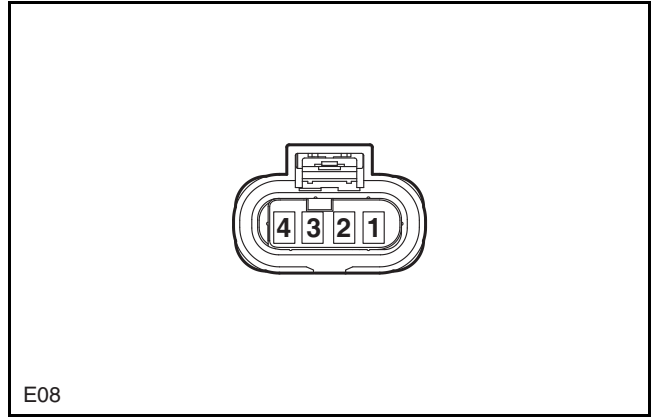


C01

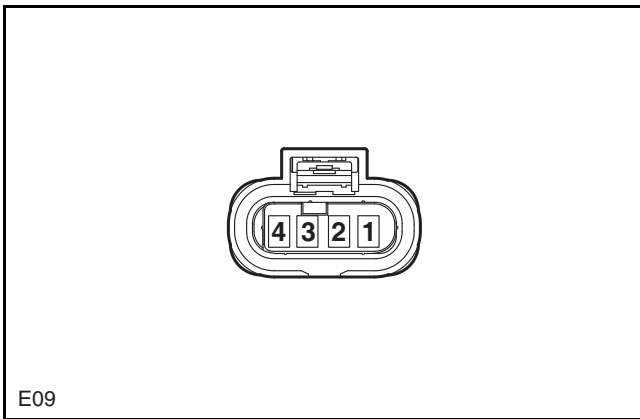
Ignition Coil 1



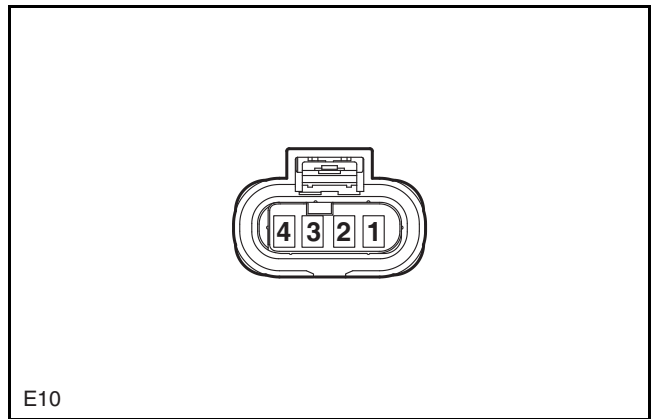
Ignition Coil 2



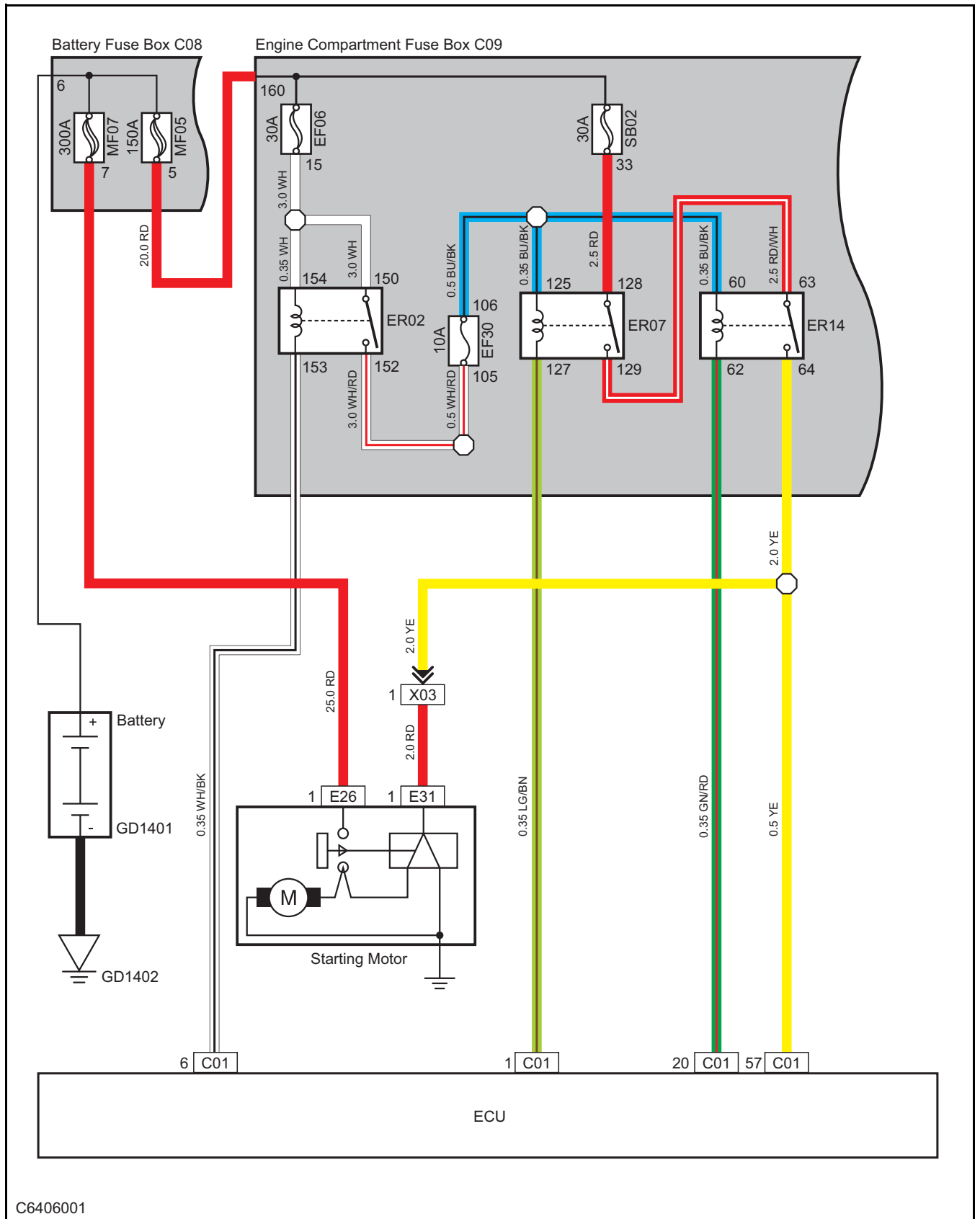
Ignition Coil 3



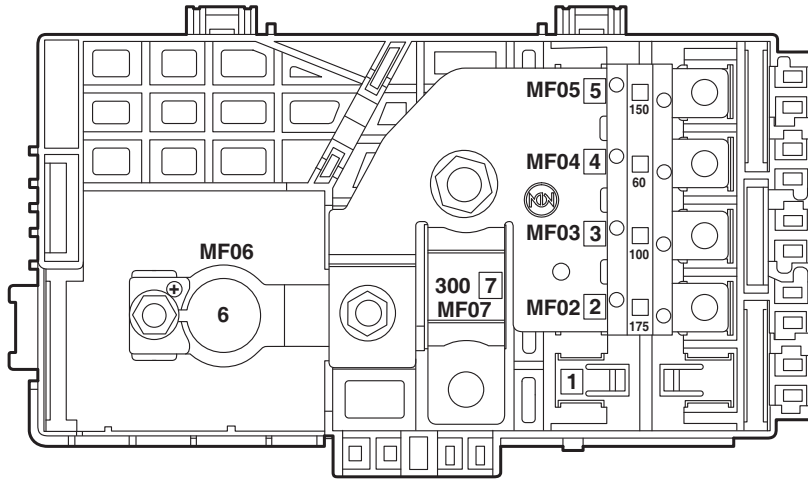
Ignition Coil 4



Starting System

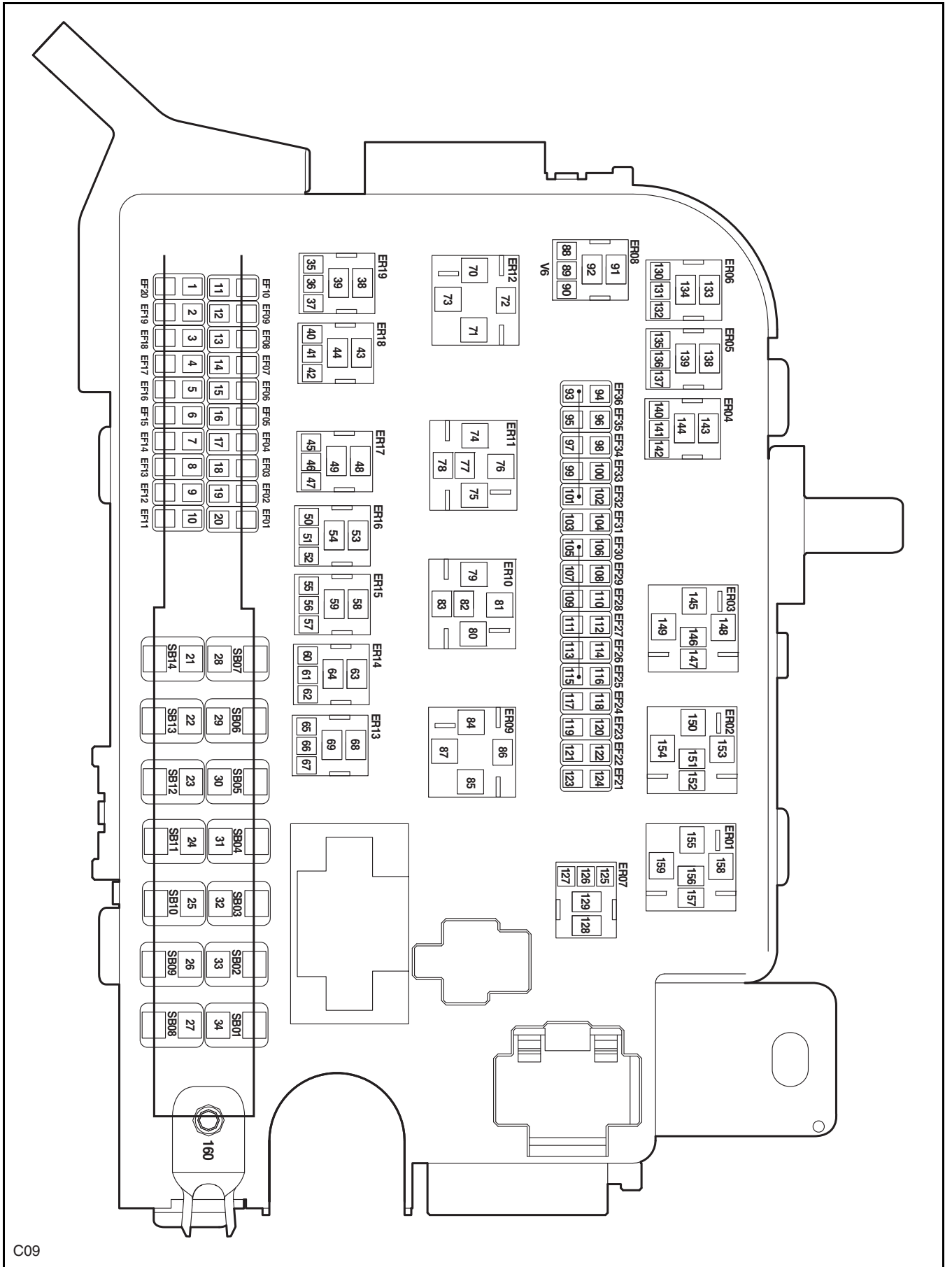


Battery Fuse Box



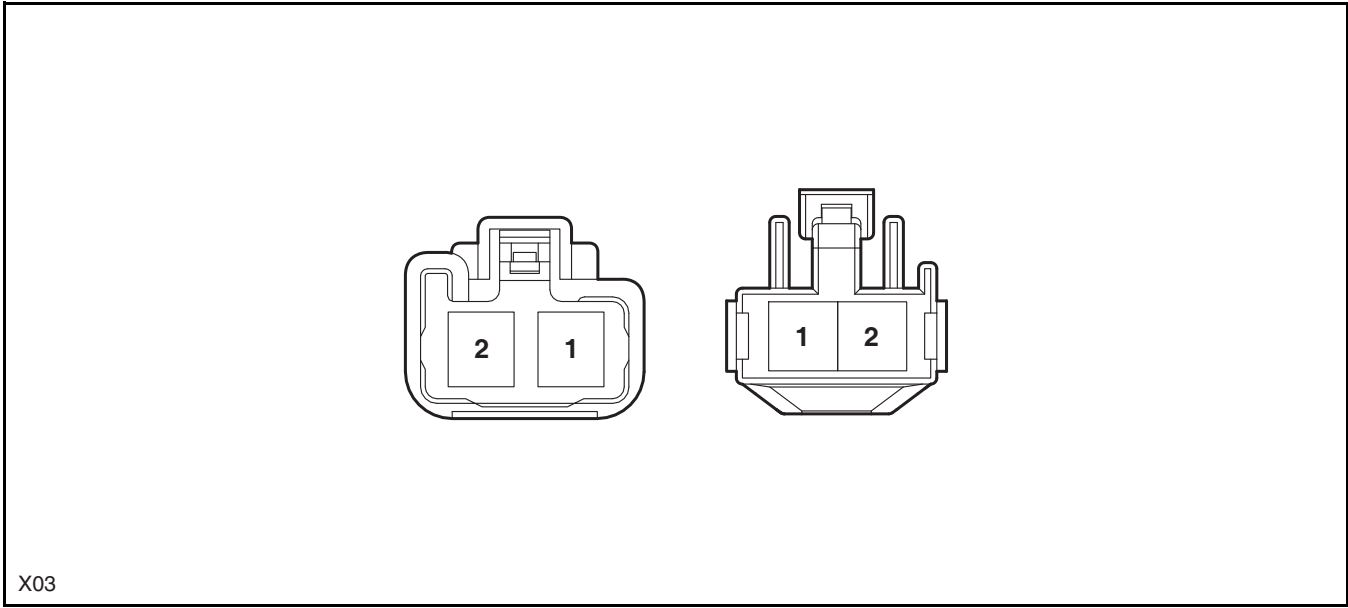
C08

Engine Compartment Fuse Box



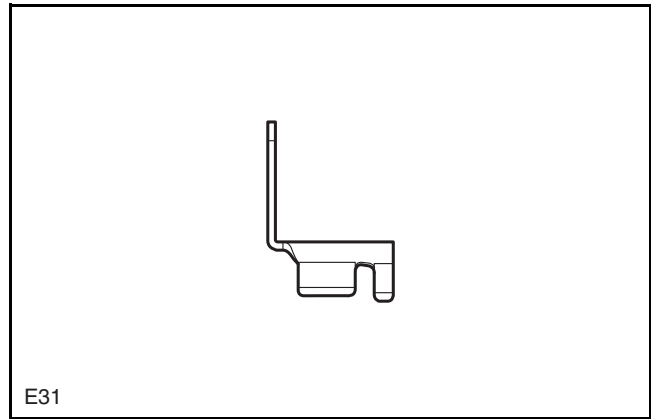
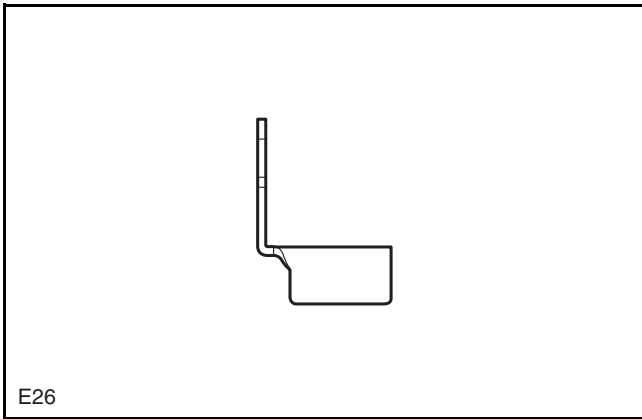
Engine Compartment Wiring Harness to Engine Wiring Harness (3)

Engine Wiring Harness (3) to Engine Compartment Wiring Harness

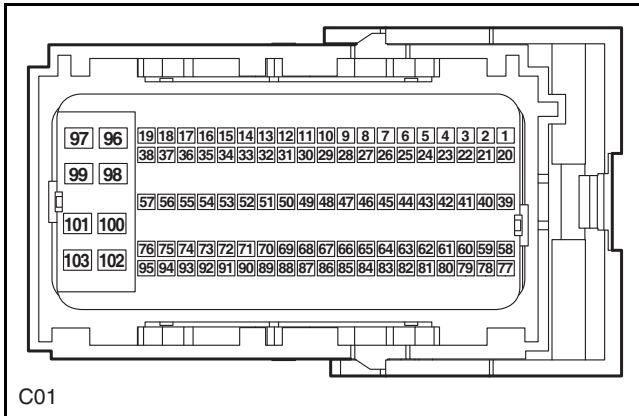


Starting Motor

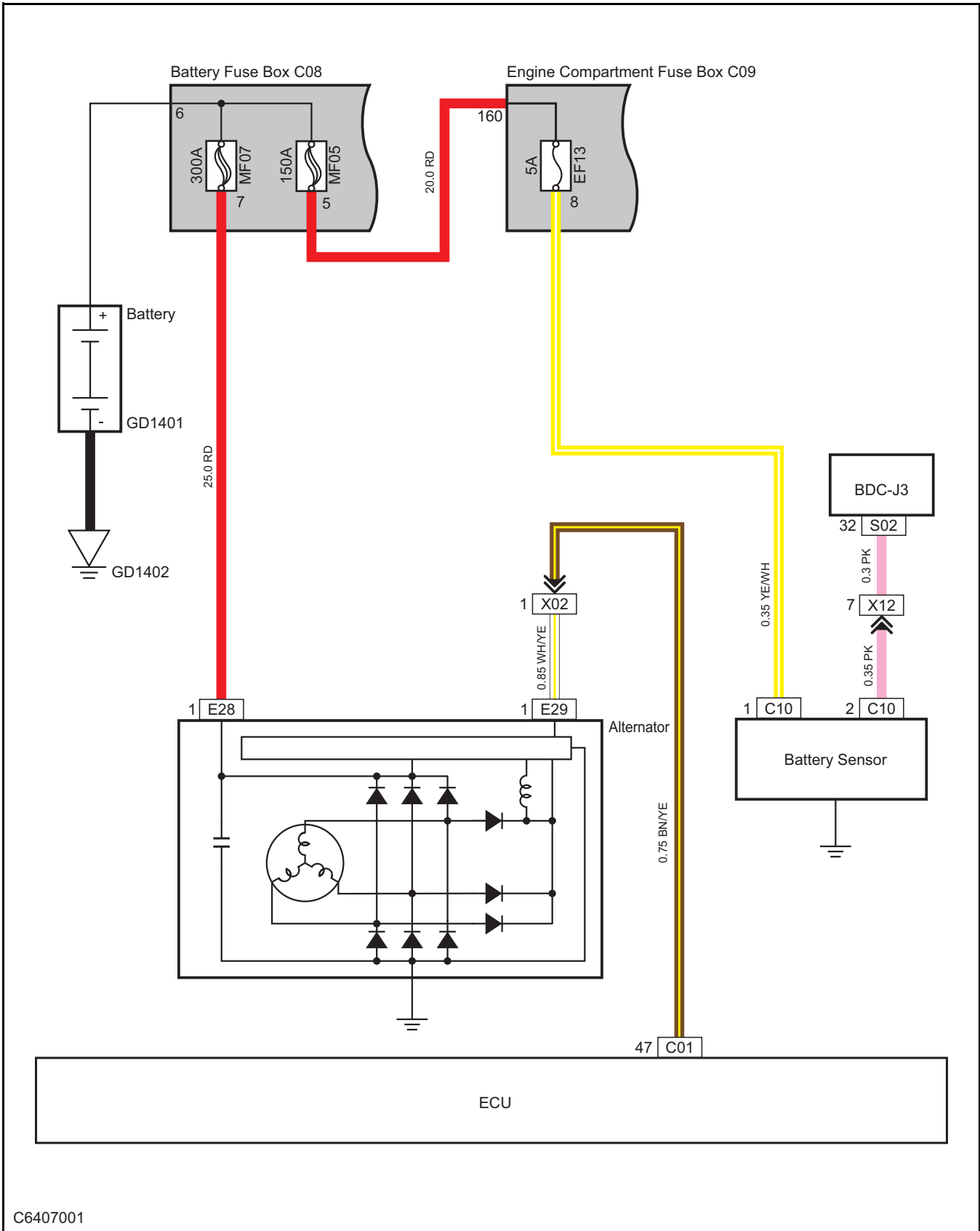
Starting Motor Clutch



ECU-2

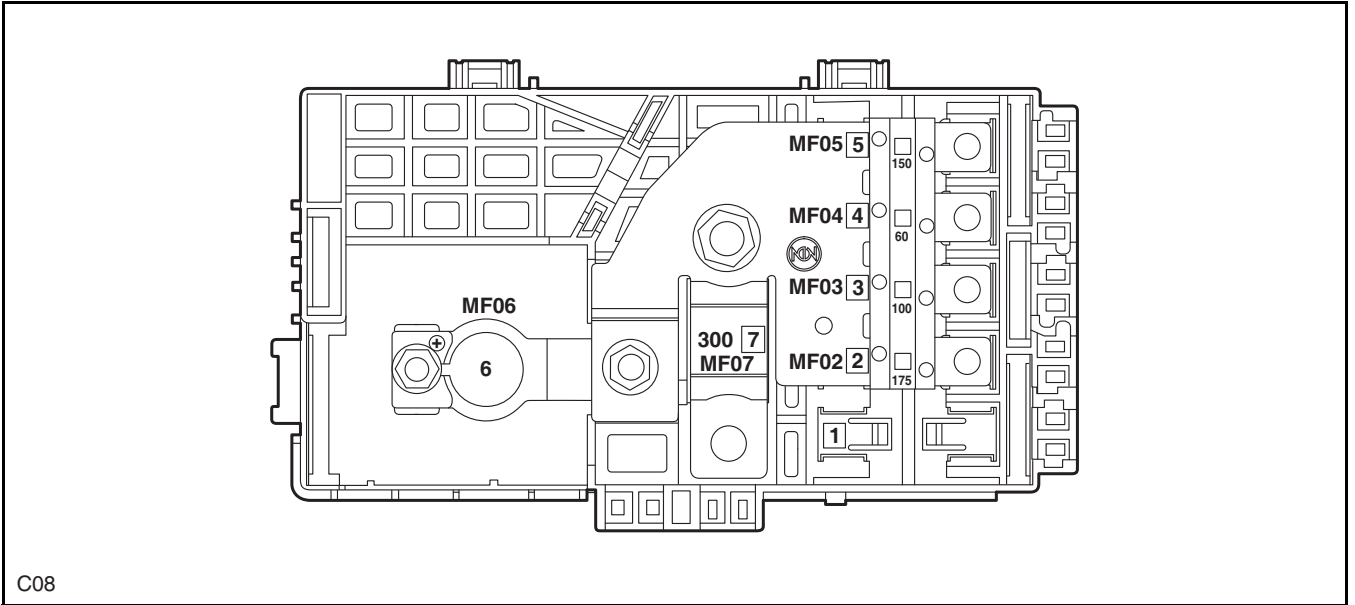


Charging System



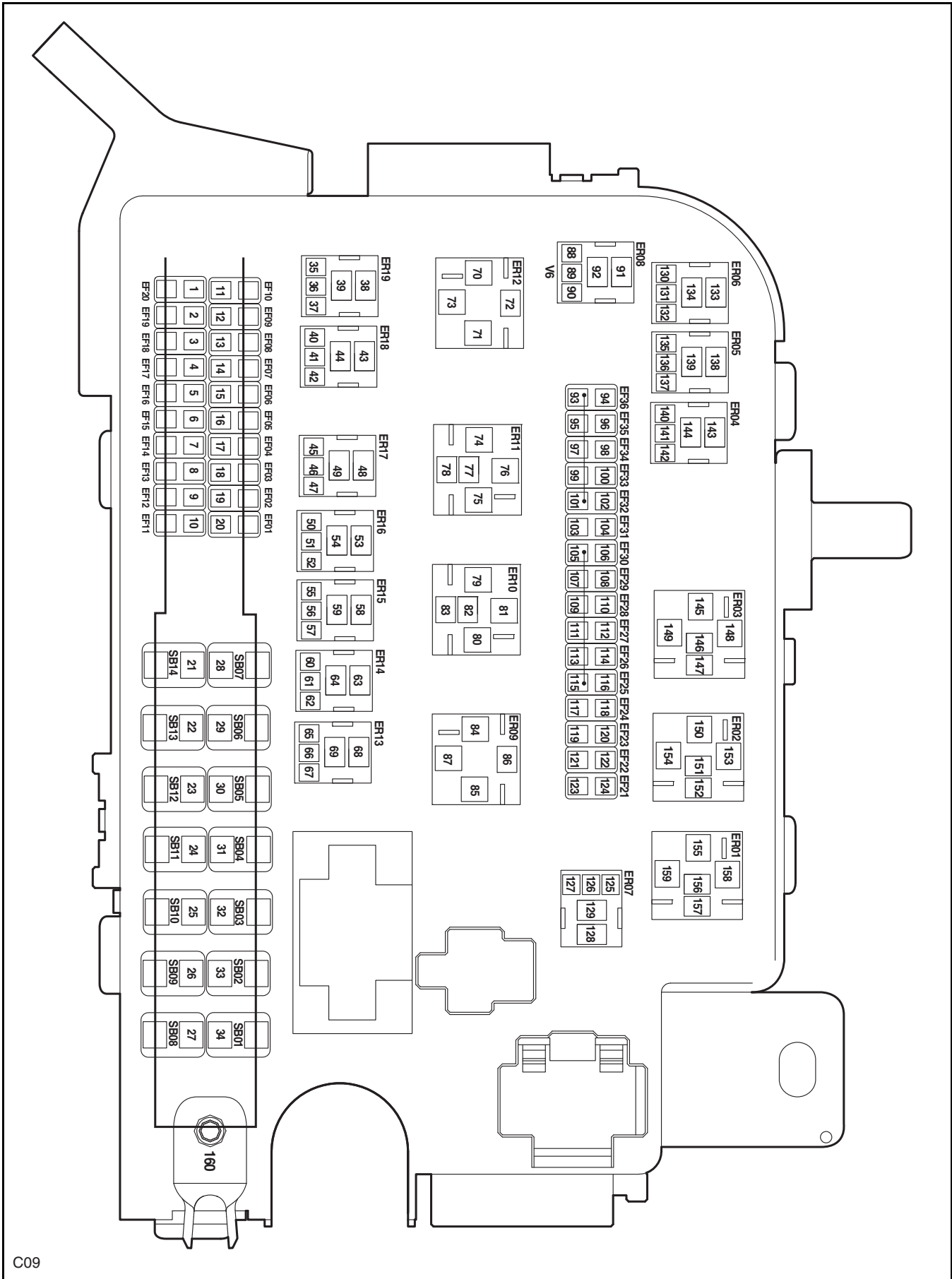
C6407001

Battery Fuse Box



C08

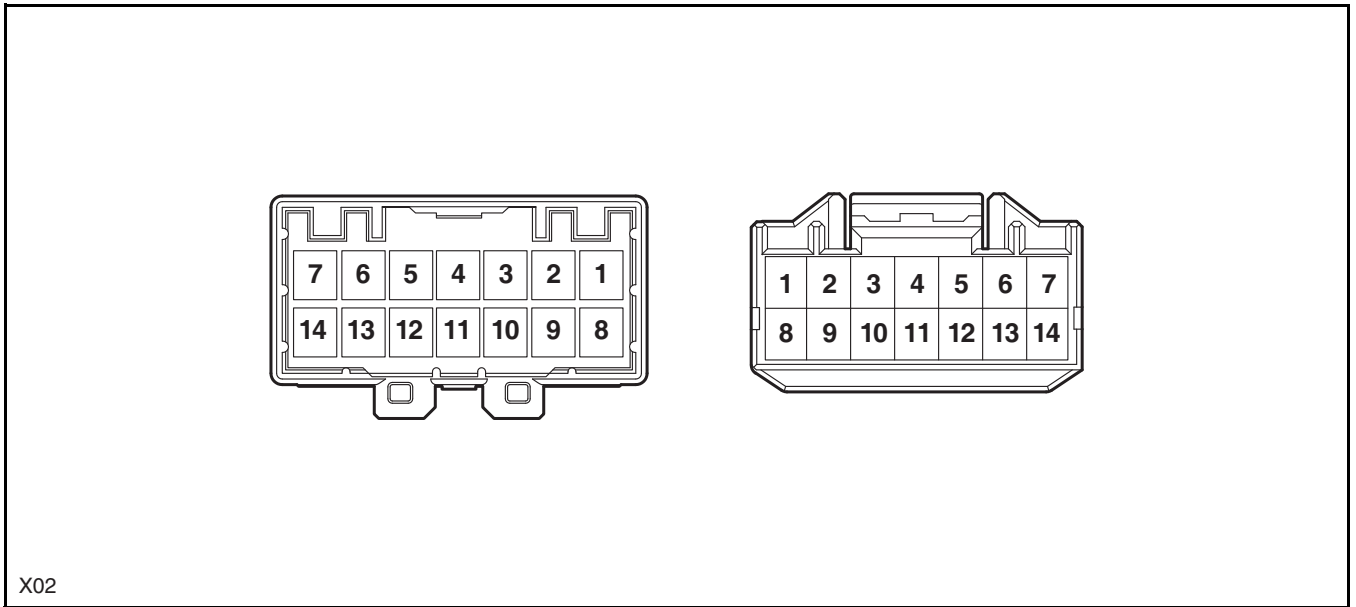
Engine Compartment Fuse Box



C09

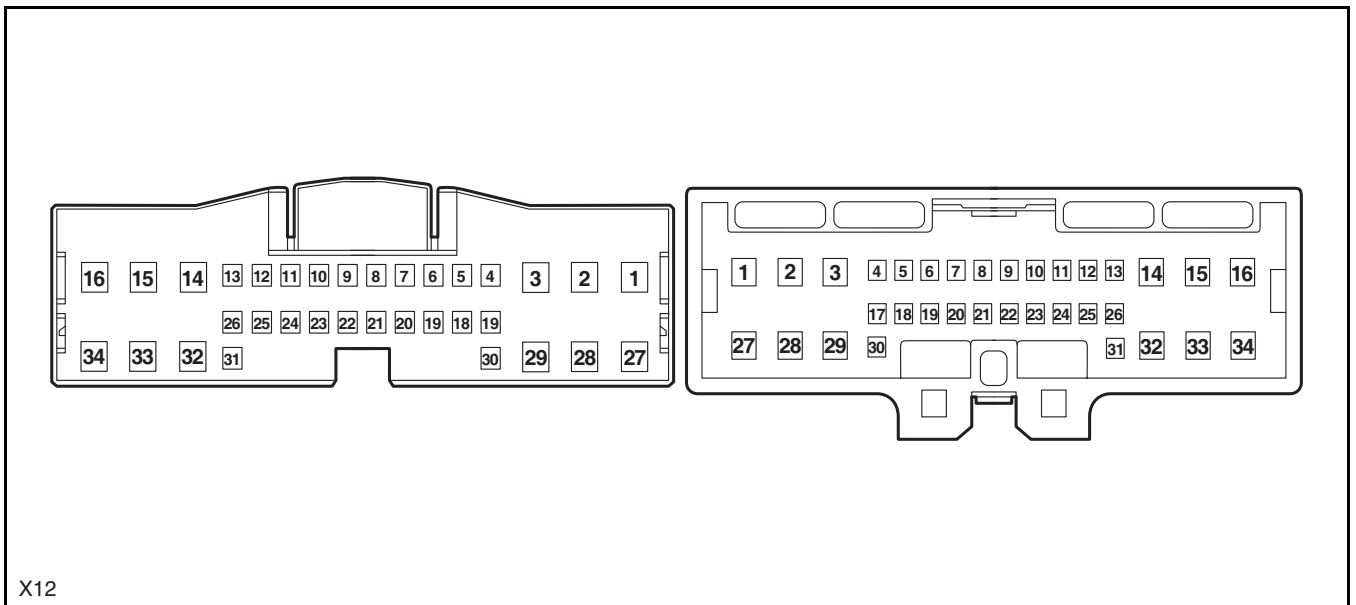
Engine Compartment Wiring Harness to Engine Wiring Harness (2)

Engine Wiring Harness (2) to Engine Compartment Wiring Harness

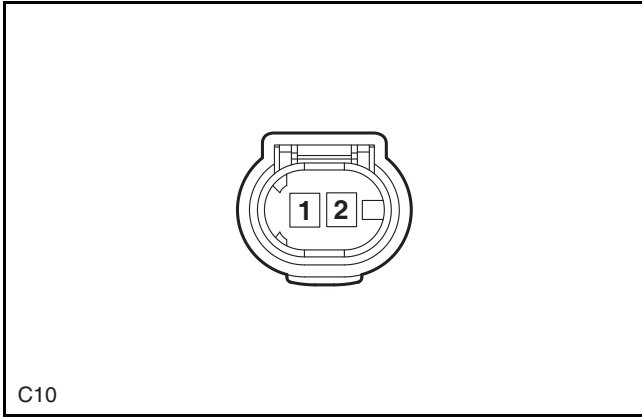


Engine Compartment Wiring Harness to Chassis Wiring Harness (Right 1)

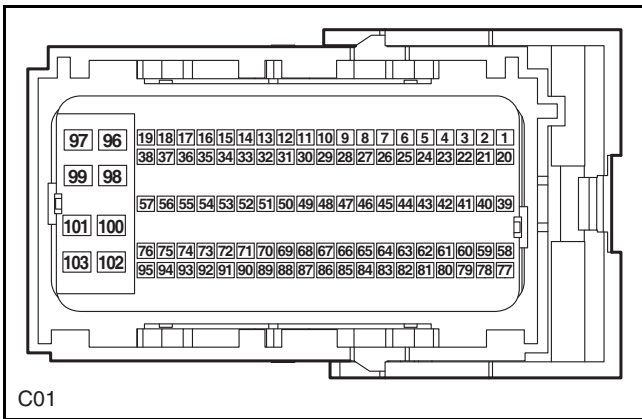
Chassis Wiring Harness (Right 1) to Engine Compartment Wiring Harness



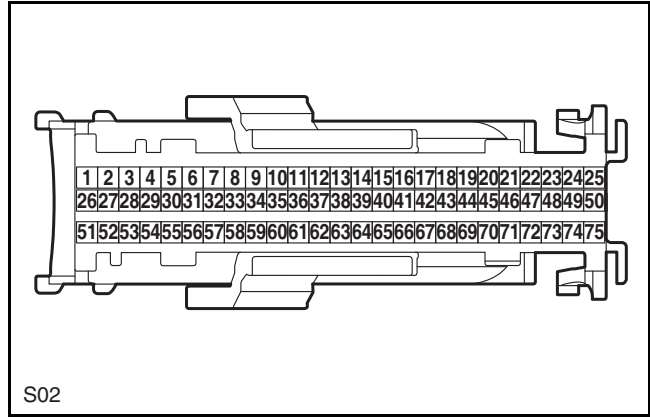
Battery Sensor (STT)



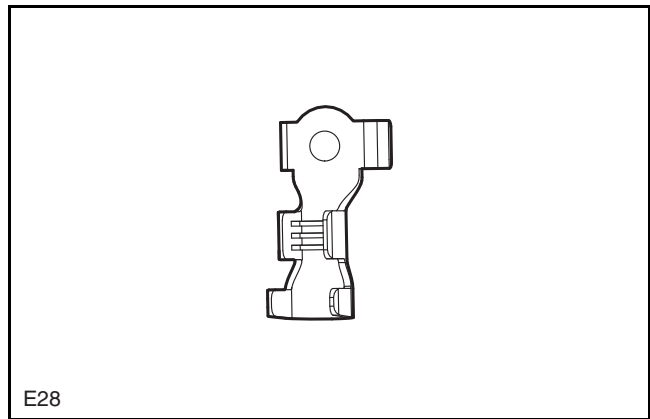
ECU-2



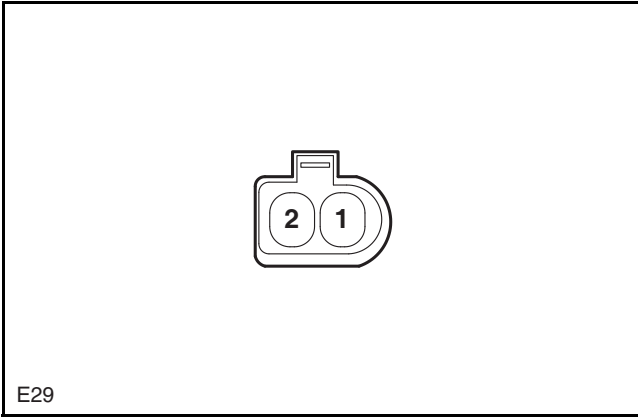
BDC-J3 (Chassis)



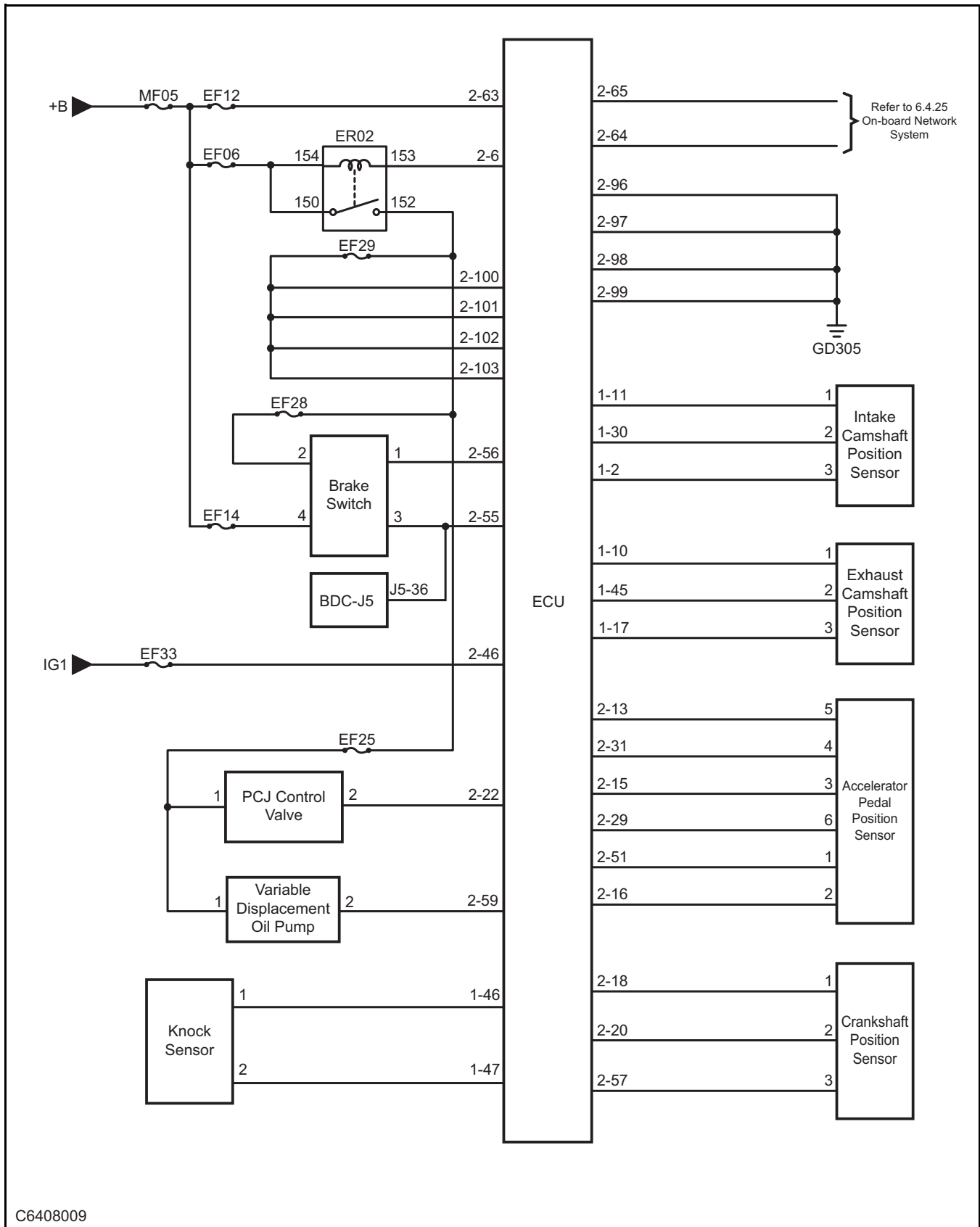
Alternator Positive



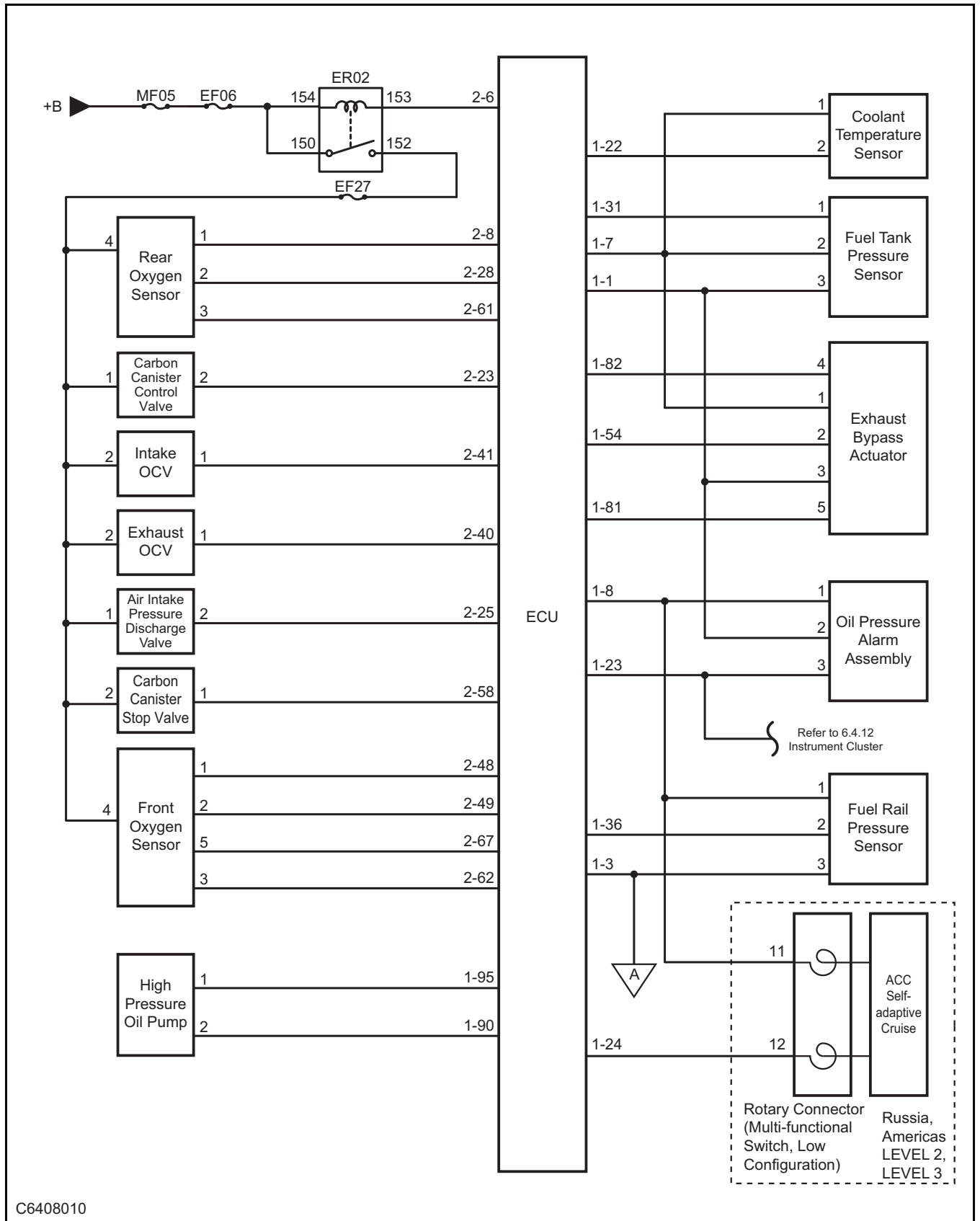
Alternator



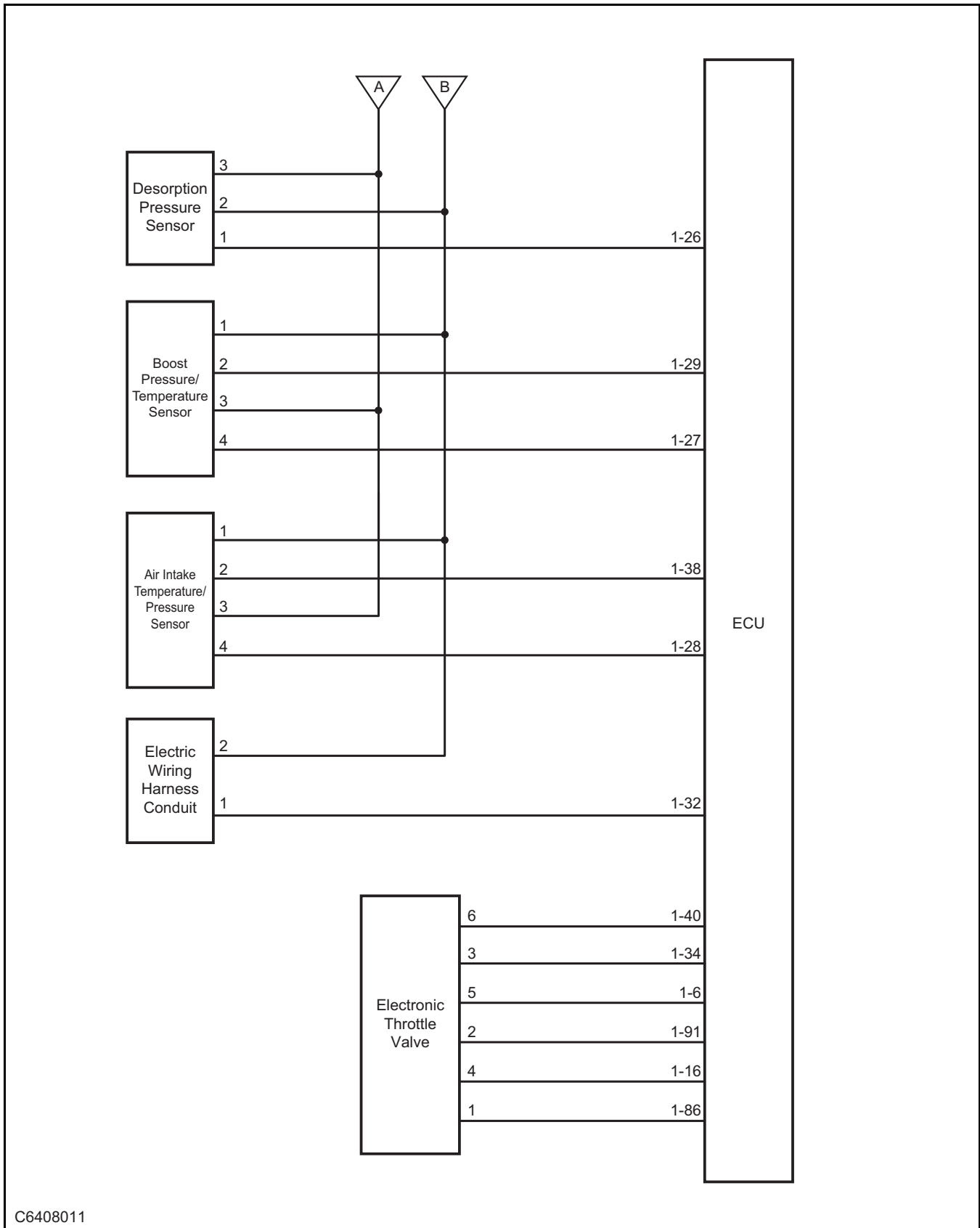
Electronic Control System



C6408009

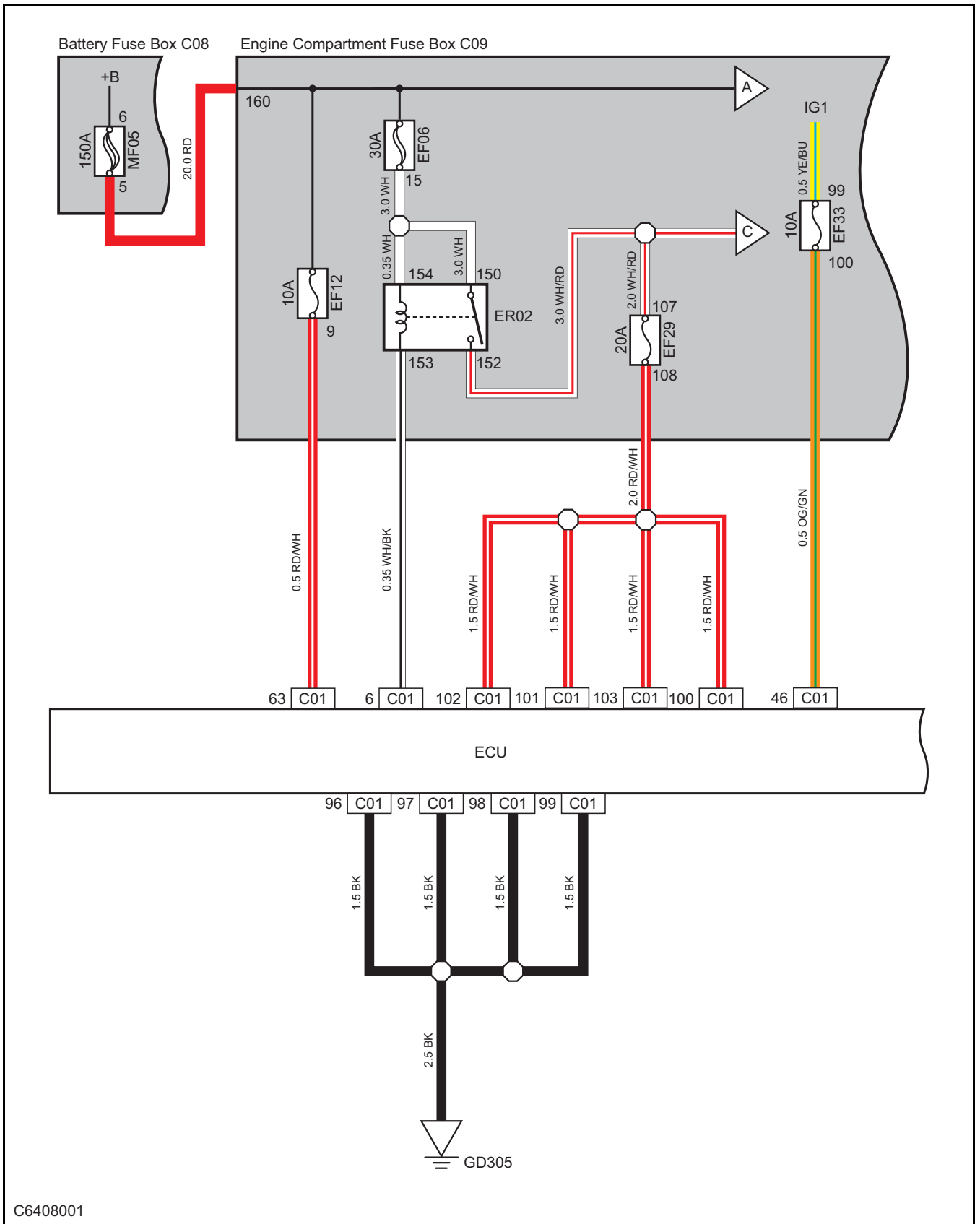


C6408010



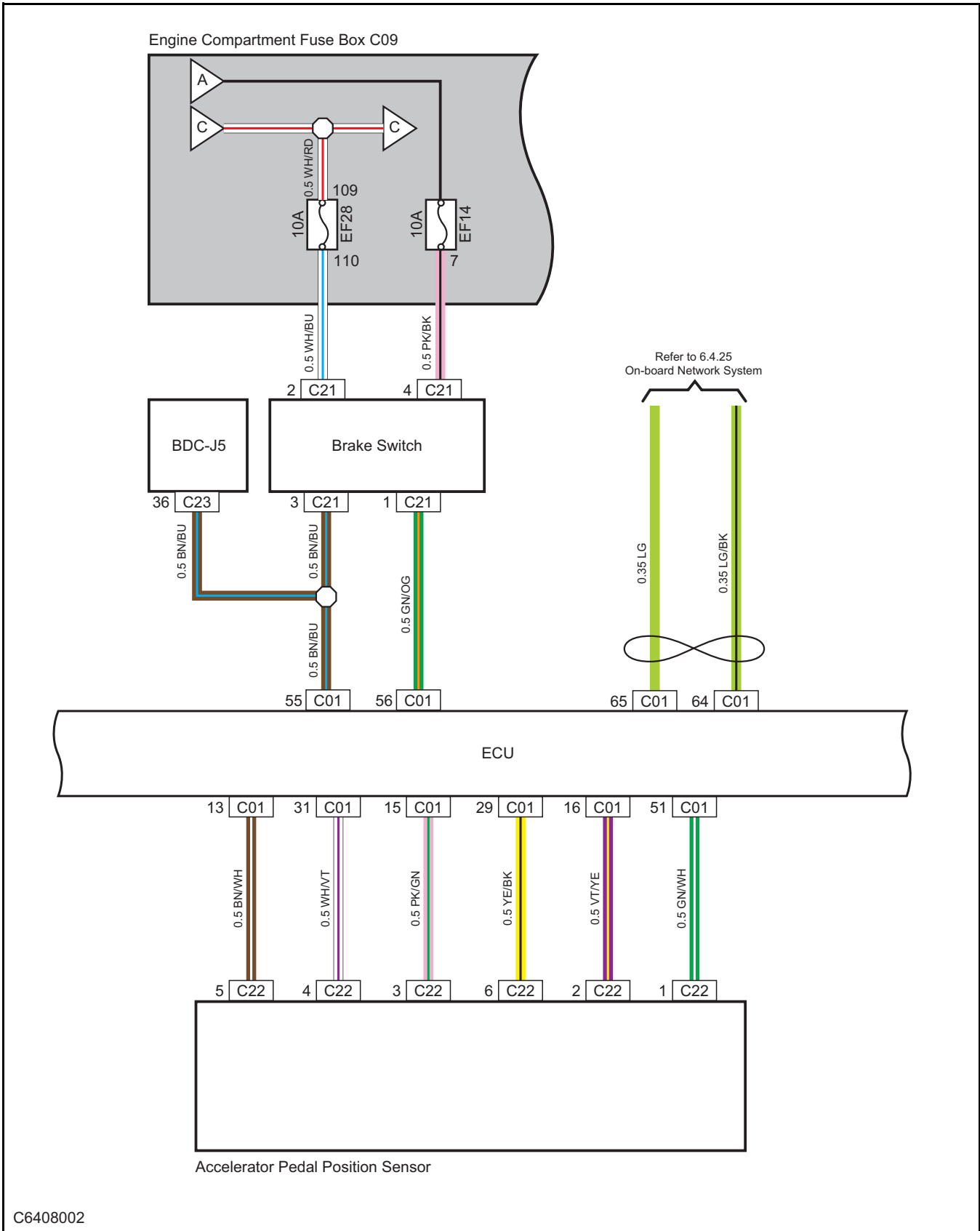
C6408011

Power Supply



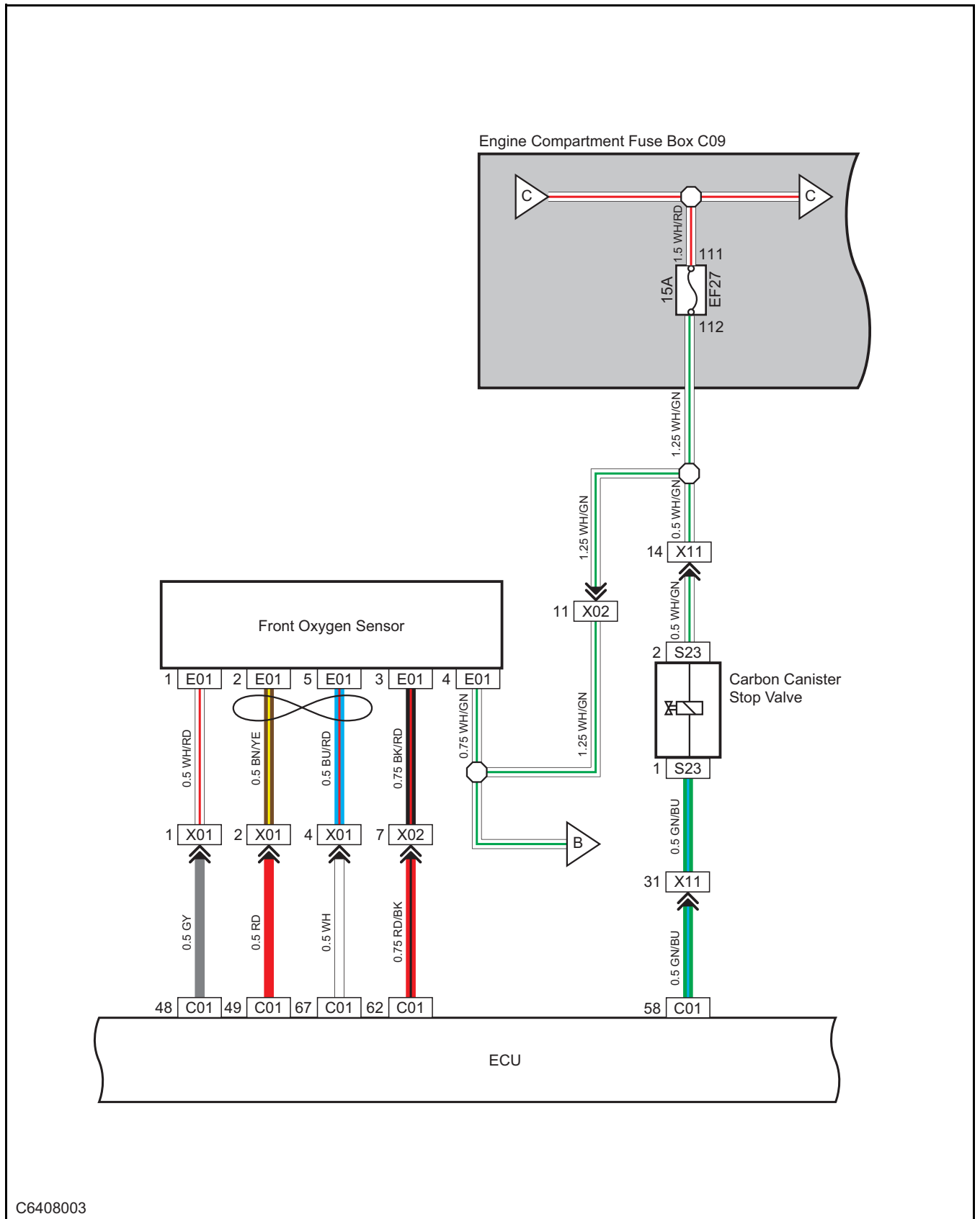
C6408001

Brake Switch/Accelerator Pedal Sensor



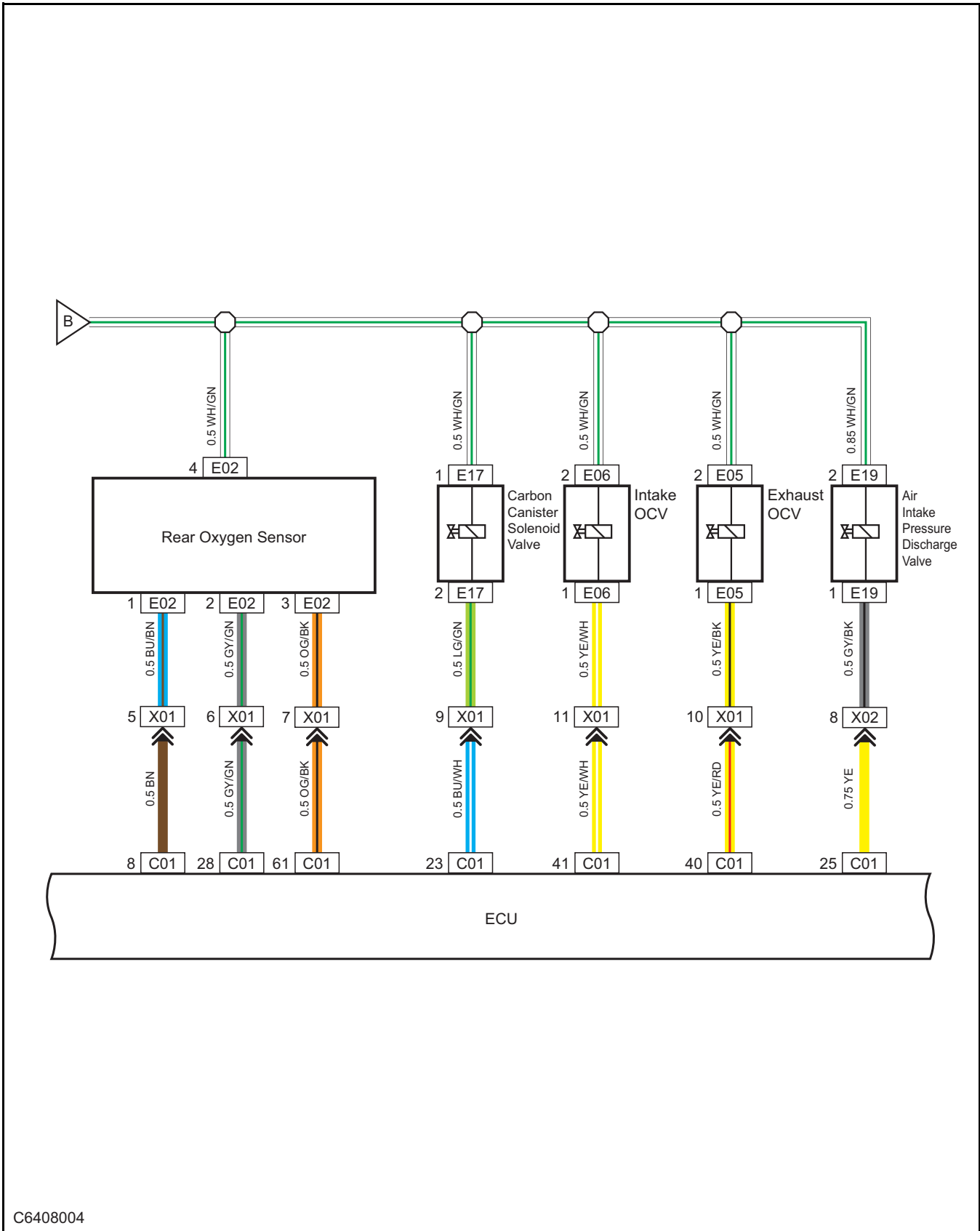
C6408002

Carbon Canister Stop Valve/Front Oxygen Sensor

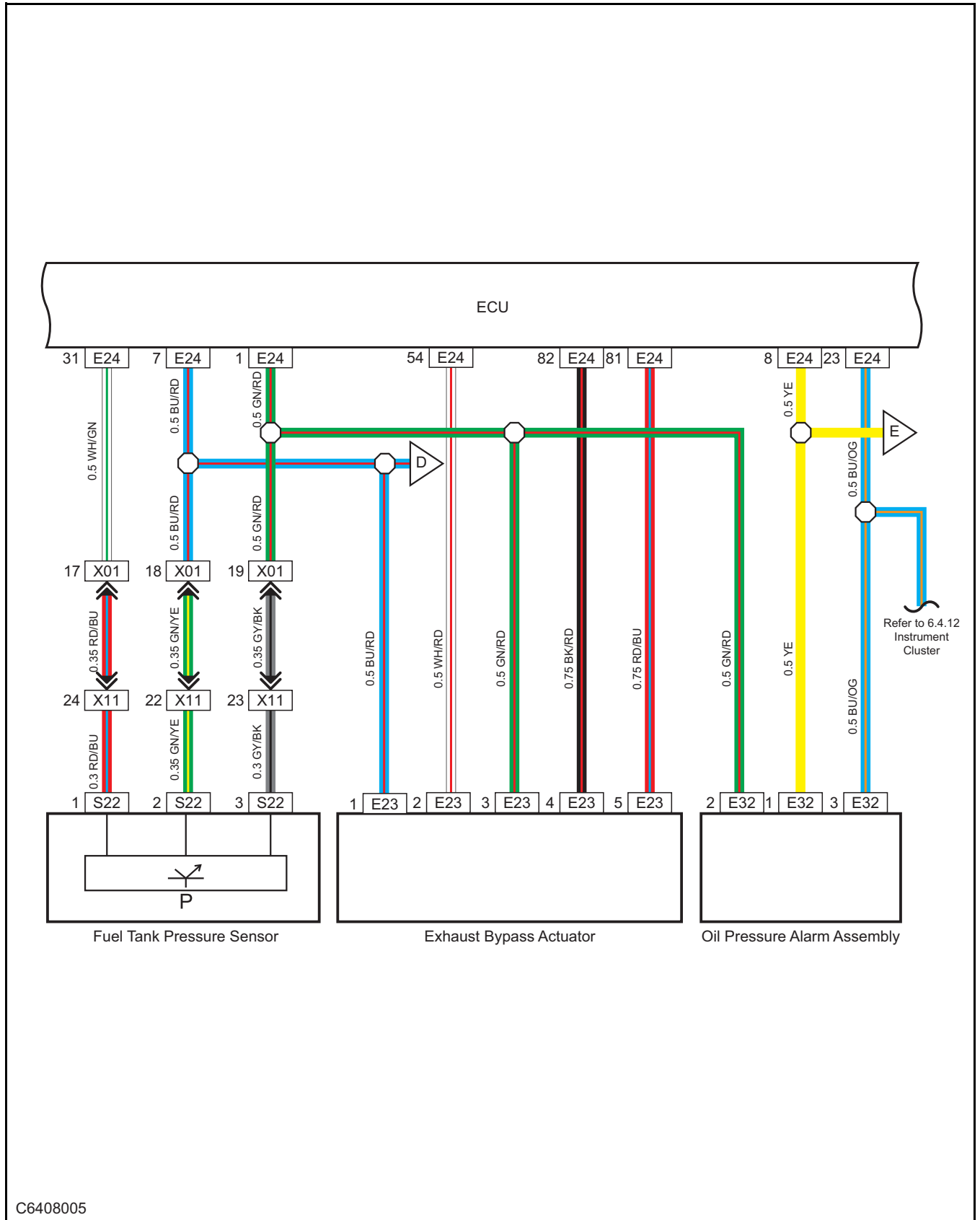


C6408003

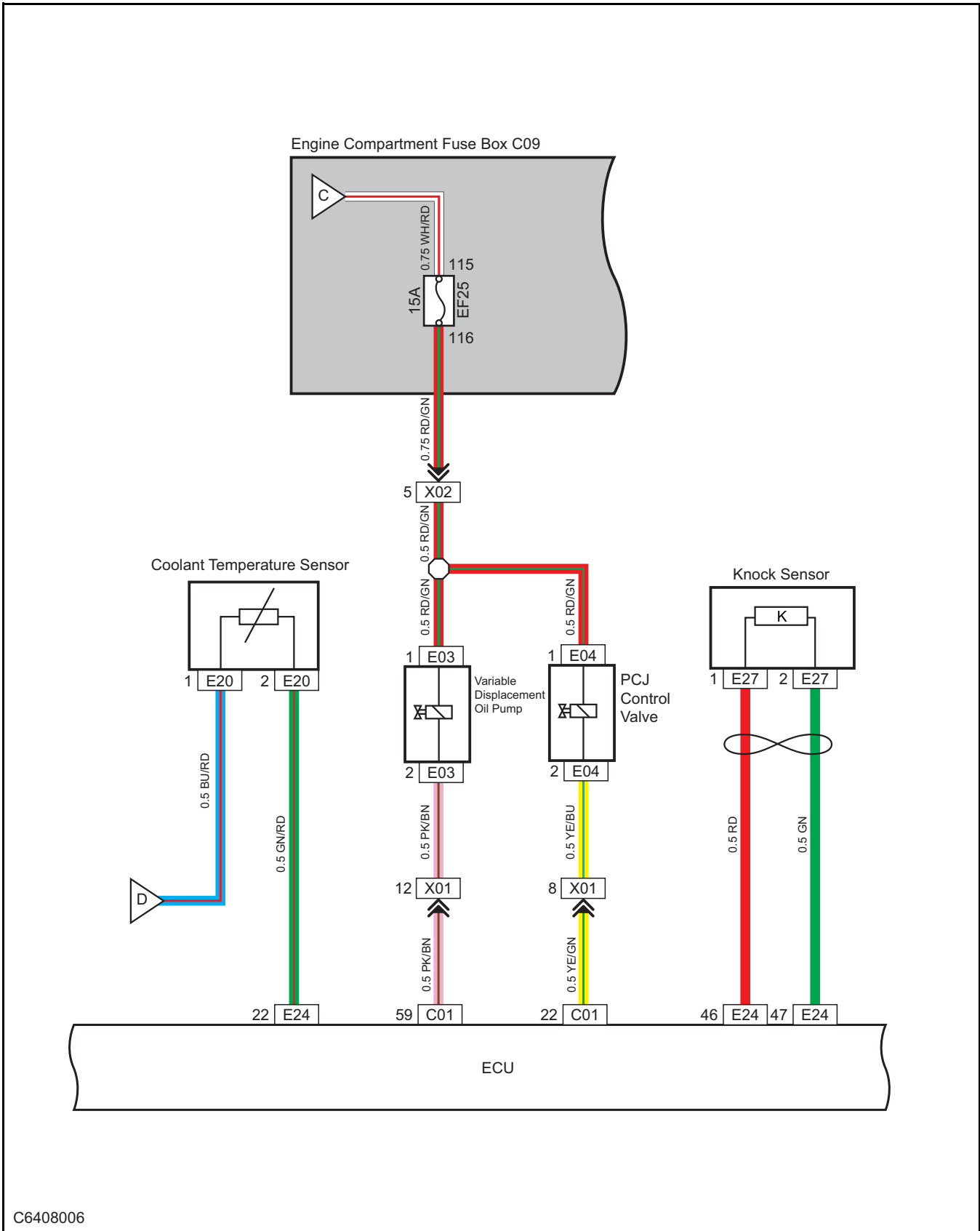
Rear Oxygen Sensor/Carbon Canister Solenoid Valve/Intake OCV/Exhaust OCV/Air Intake Pressure Discharge Valve



Fuel Tank Pressure Sensor/Exhaust Bypass Actuator/Oil Pressure Alarm Assembly

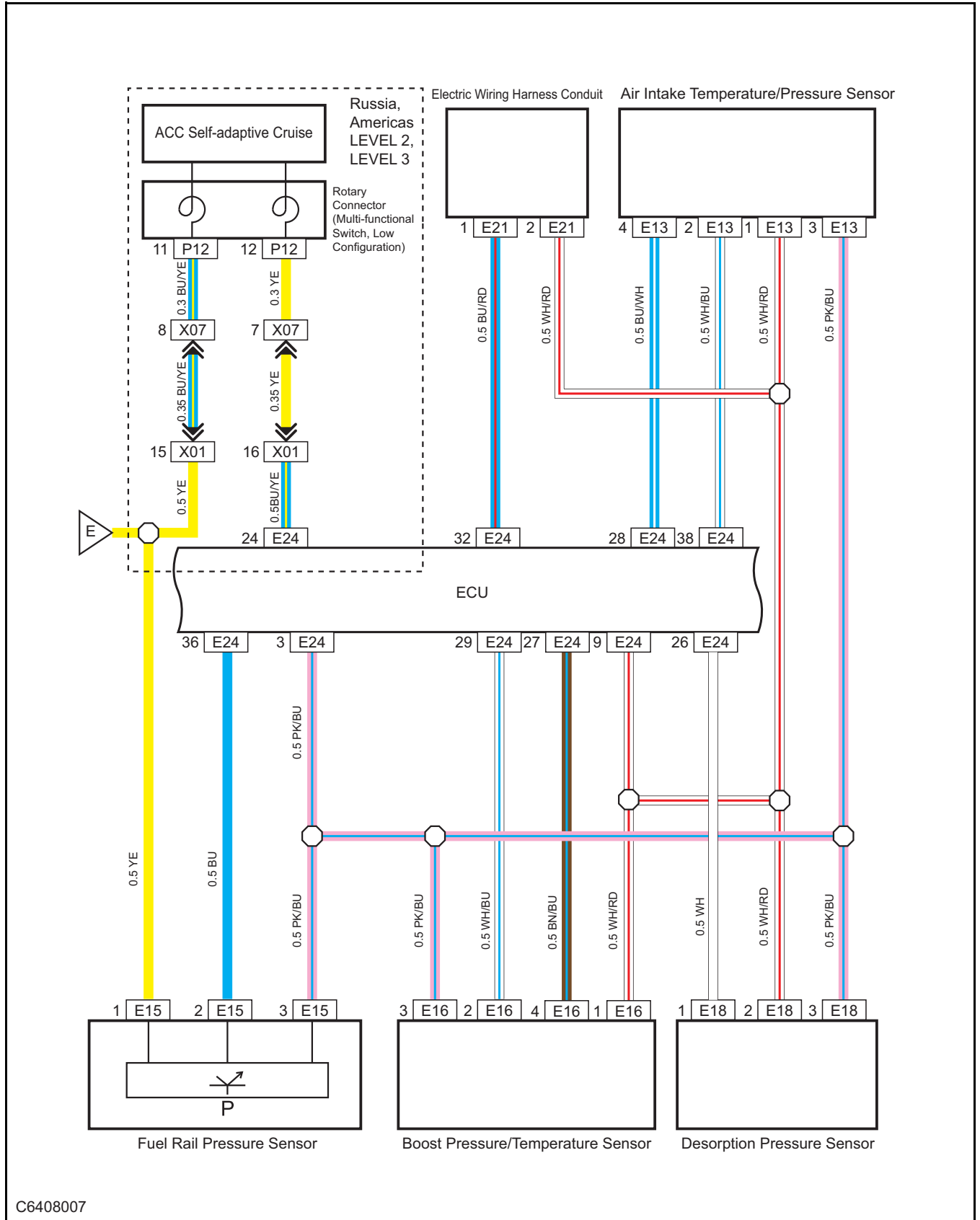


Knock Sensor/PCJ Control Valve/Variable Displacement Oil Pump/Coolant Temperature Sensor



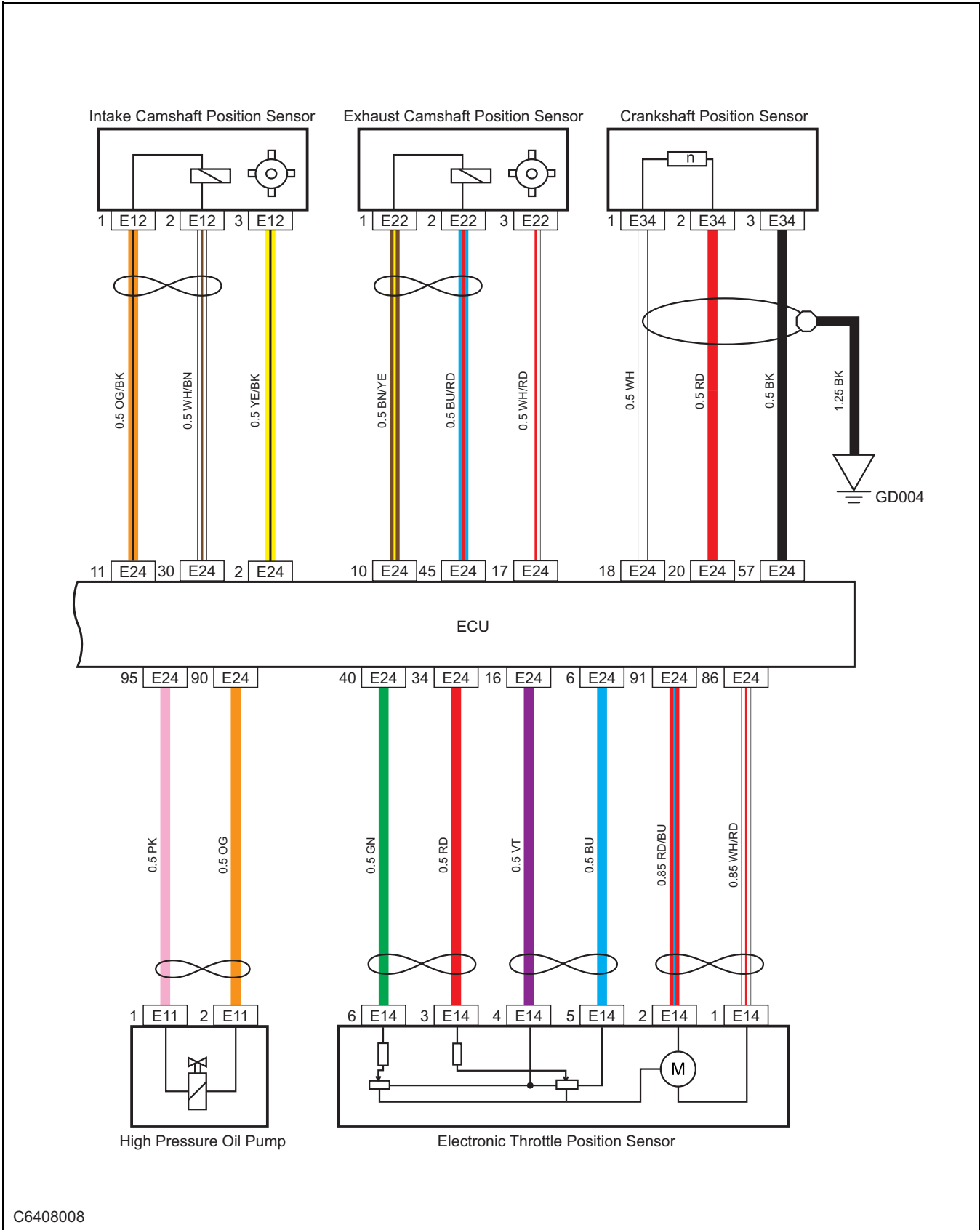
C6408006

ACC Self-adaptive Cruise/Electric Wiring Harness Conduit/Air Intake Temperature/Pressure Sensor/Pressure Sensor/Fuel Rail Pressure Sensor/Boost Pressure/Temperature Sensor/Desorption Pressure Sensor



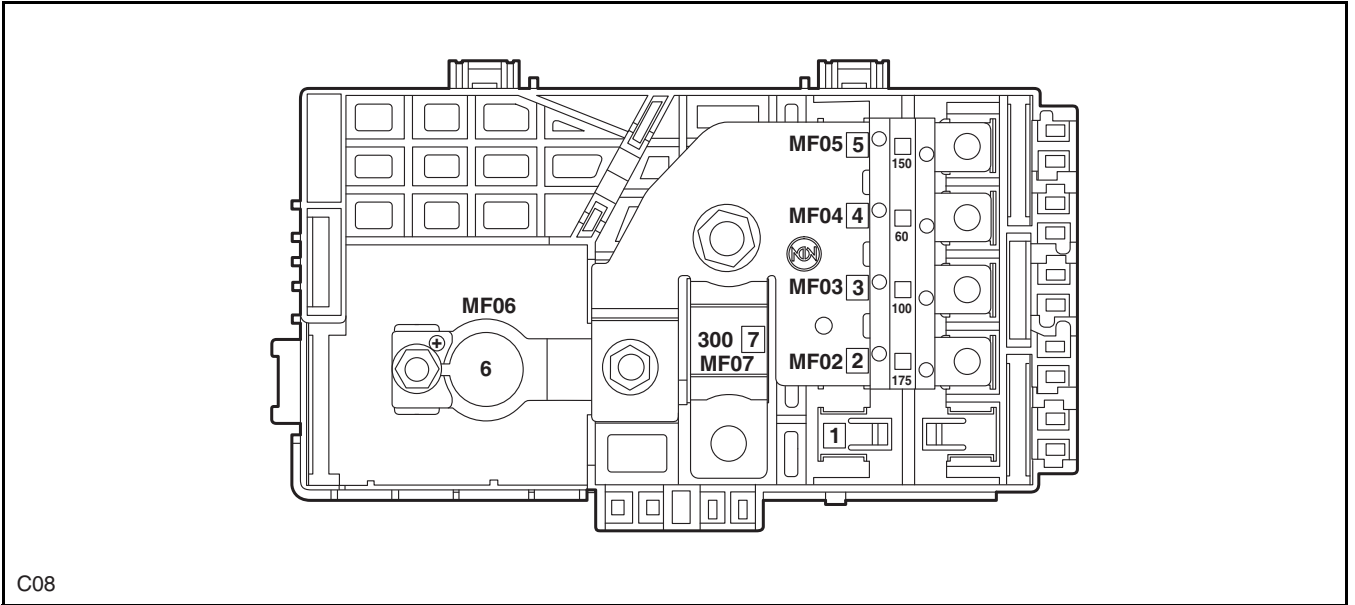
C6408007

Intake Camshaft Position Sensor/Exhaust Camshaft Position Sensor/Crankshaft Position Sensor/High Pressure Oil Pump/Electronic Throttle Position Sensor



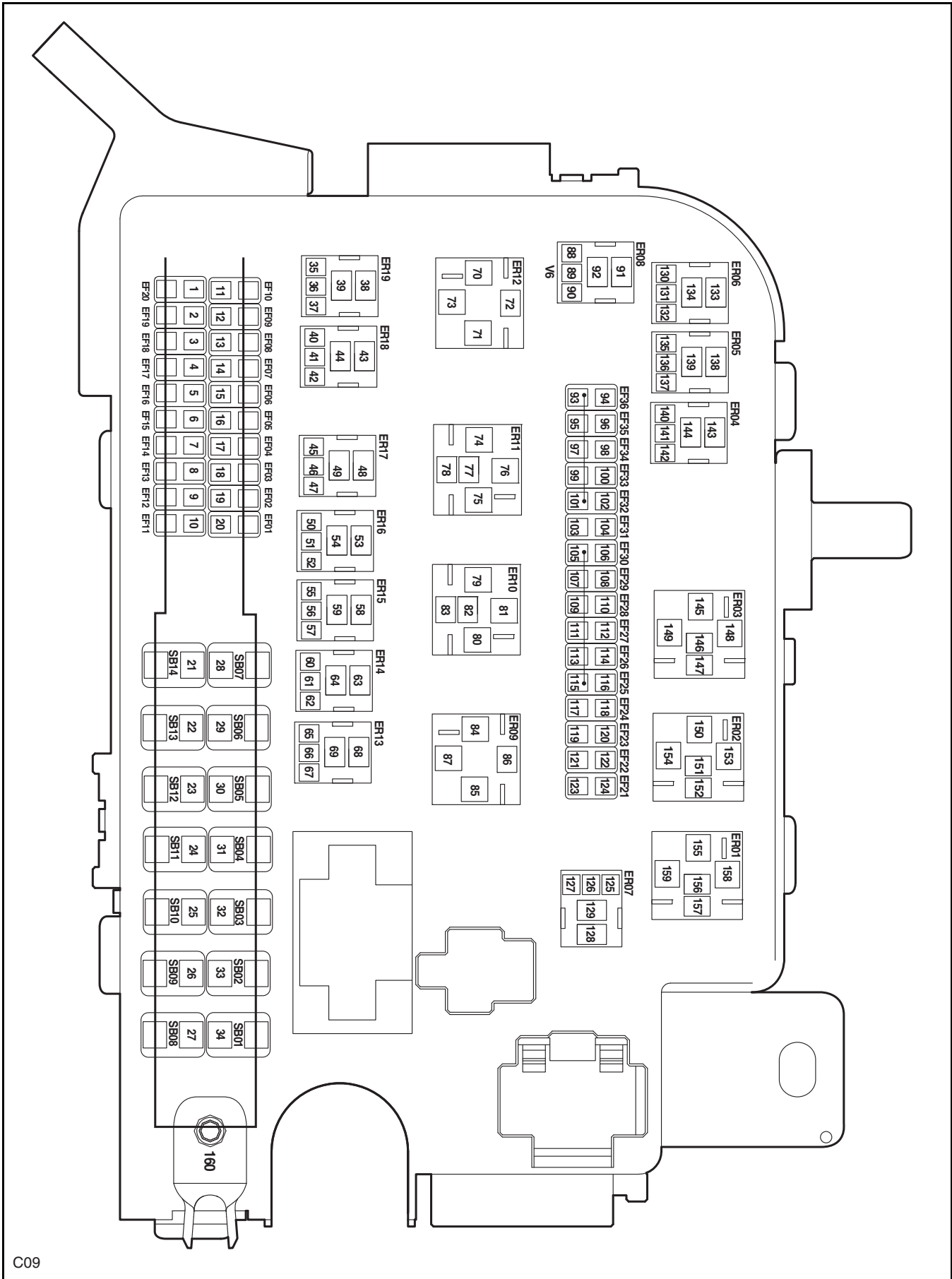
C6408008

Battery Fuse Box



C08

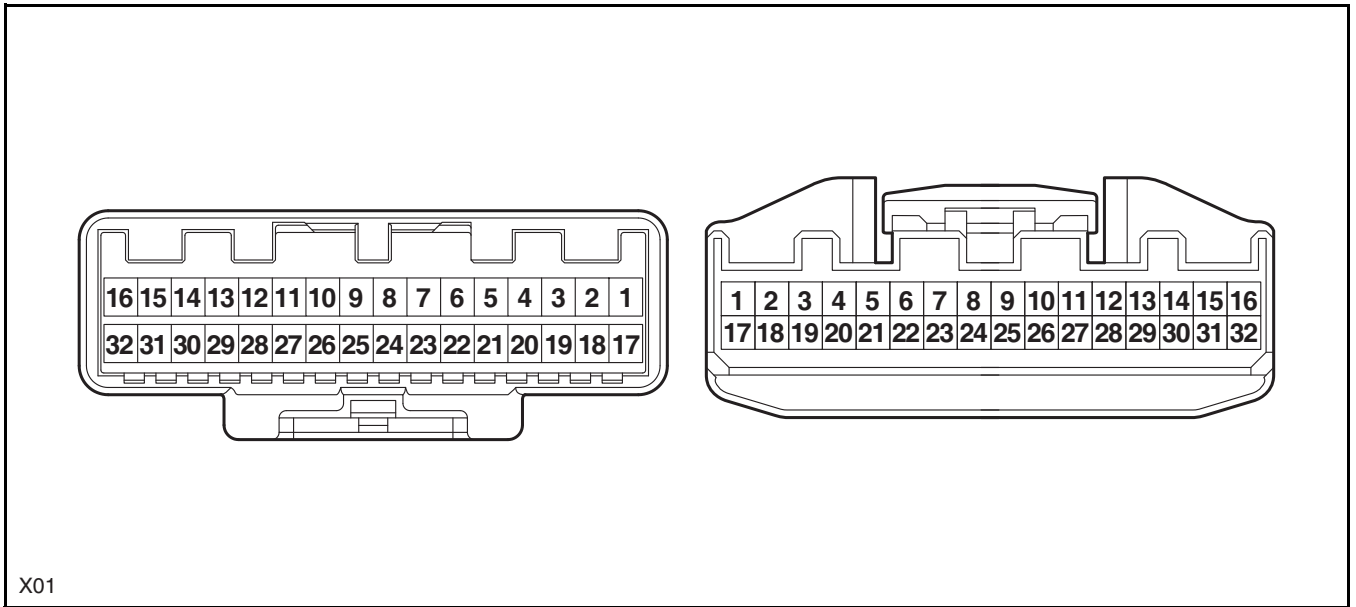
Engine Compartment Fuse Box



C09

Engine Compartment Wiring Harness to Engine Wiring Harness (1)

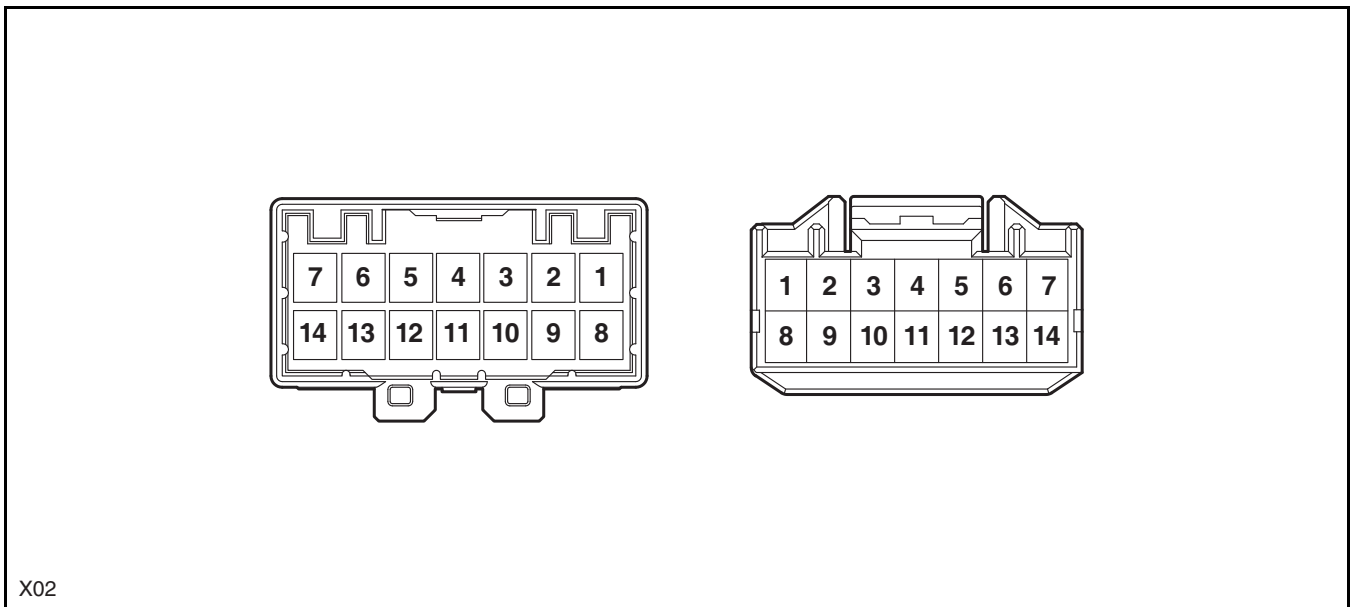
Engine Wiring Harness (1) to Engine Compartment Wiring Harness



X01

Engine Compartment Wiring Harness to Engine Wiring Harness (2)

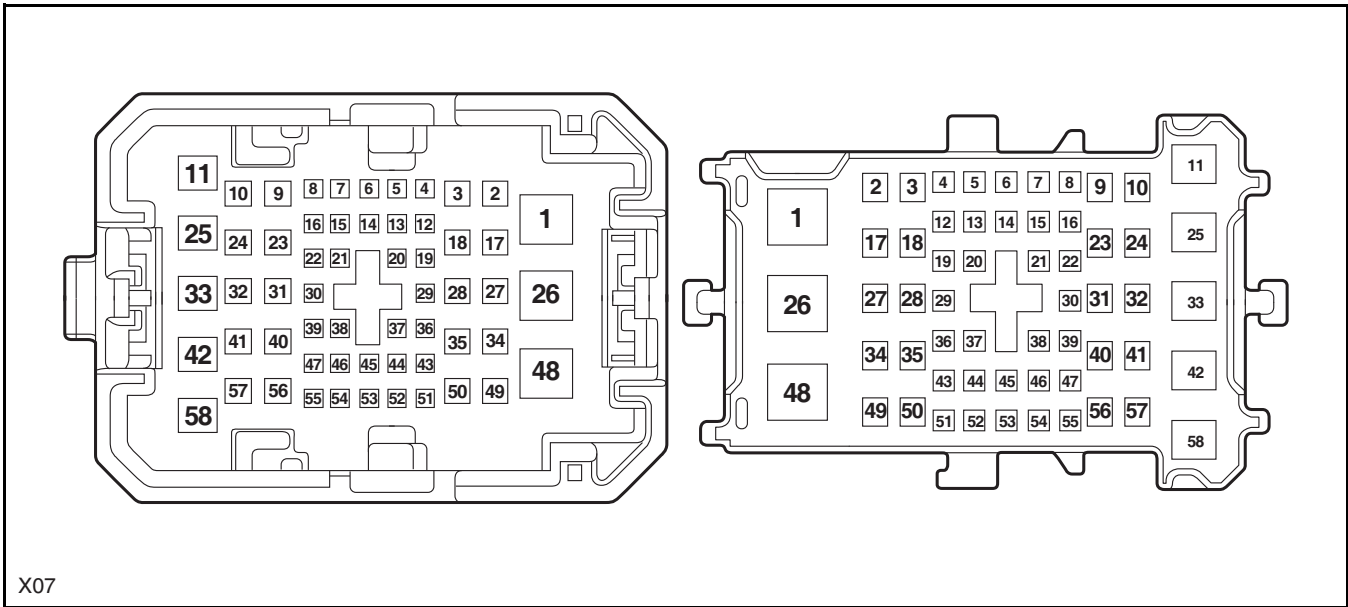
Engine Wiring Harness (2) to Engine Compartment Wiring Harness



X02

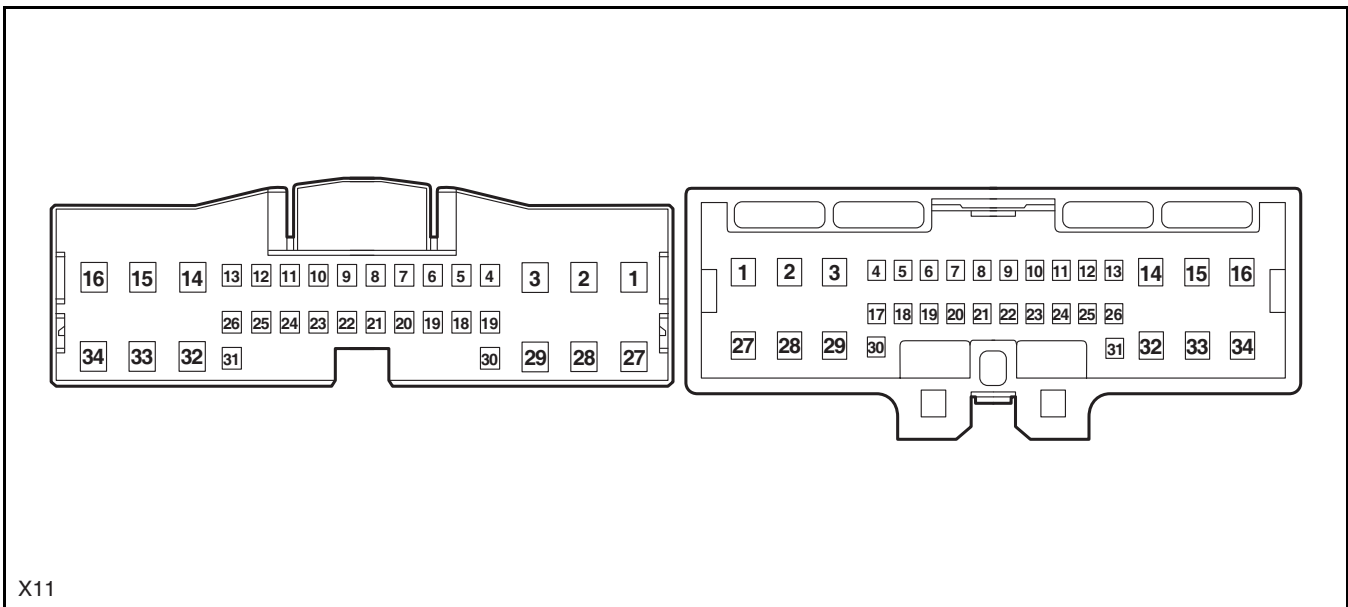
Engine Compartment Wiring Harness to Instrument Panel Wiring Harness (Left 1)

Instrument Panel Wiring Harness (Left 1) to Engine Compartment Wiring Harness



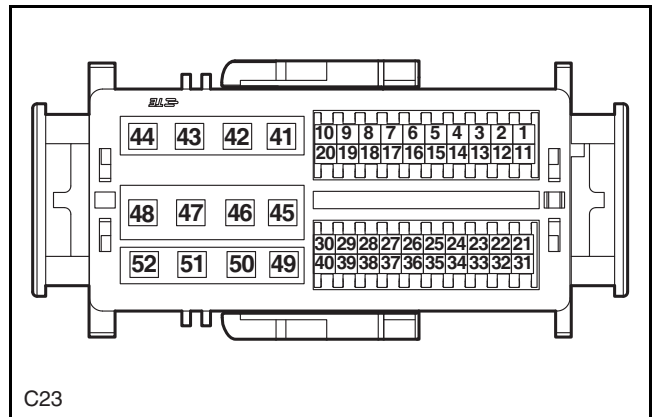
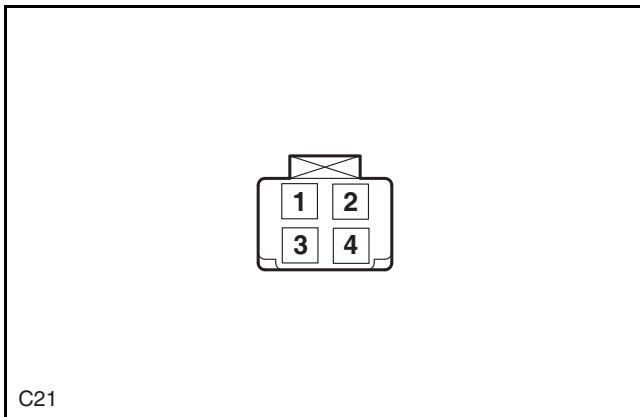
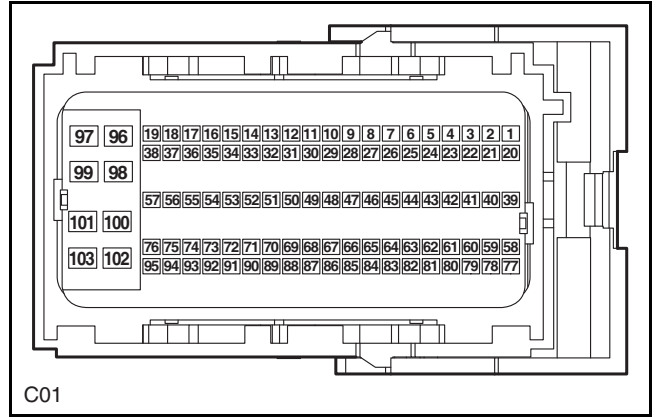
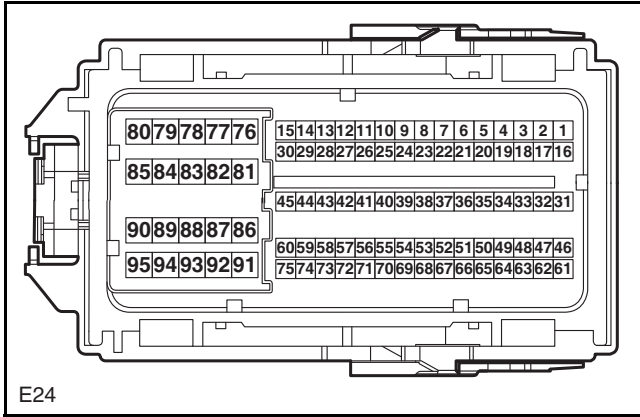
Engine Compartment Wiring Harness to Chassis Wiring Harness (Left 1)

Chassis Wiring Harness (Left 1) to Engine Compartment Wiring Harness

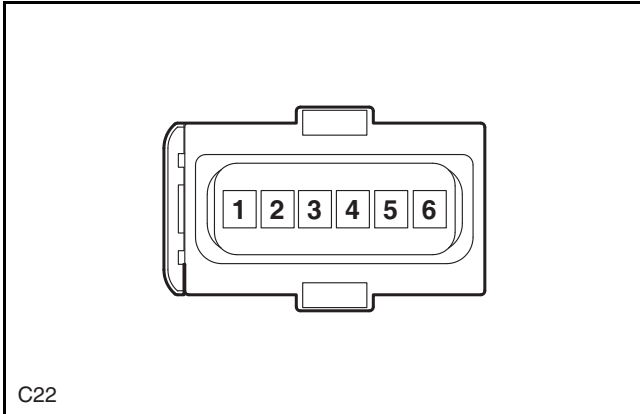


ECU-1

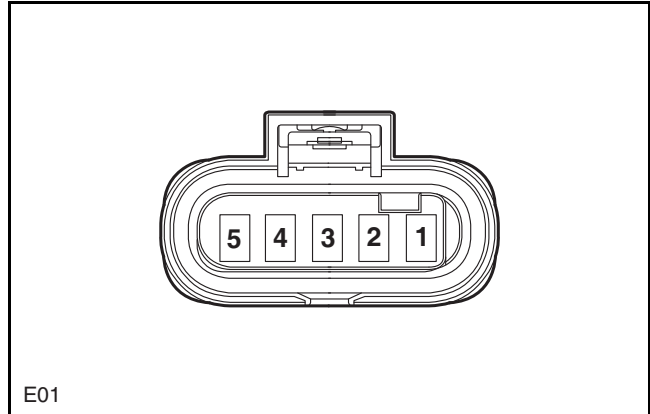
ECU-2



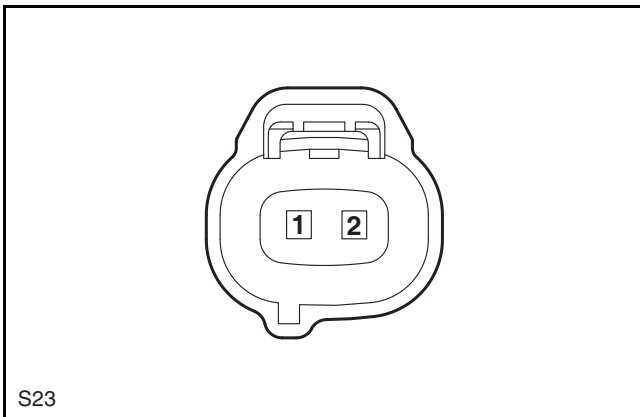
Accelerator Pedal Position Sensor



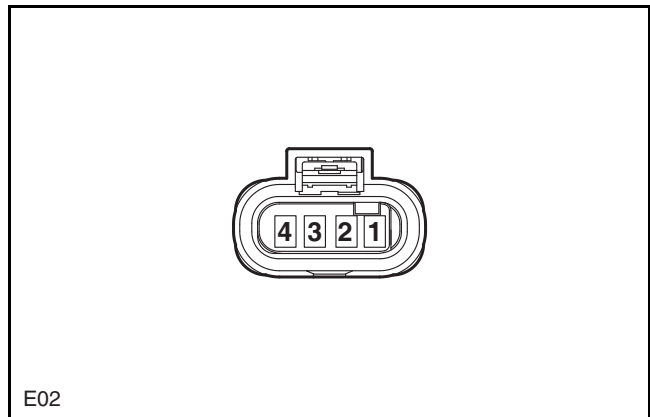
Front Oxygen Sensor



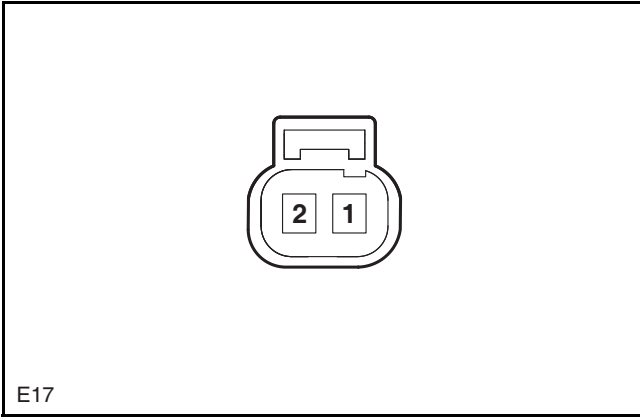
Carbon Canister Stop Valve



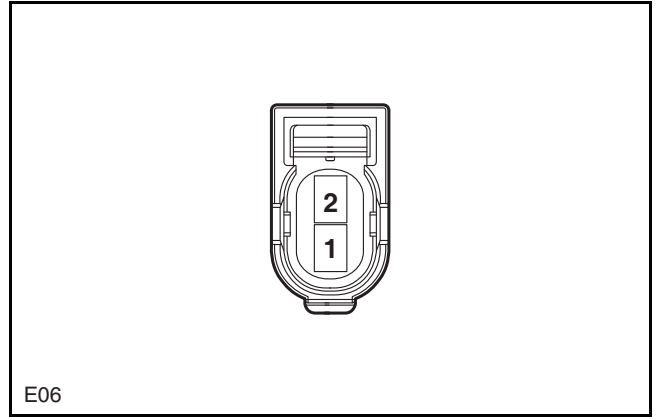
Rear Oxygen Sensor



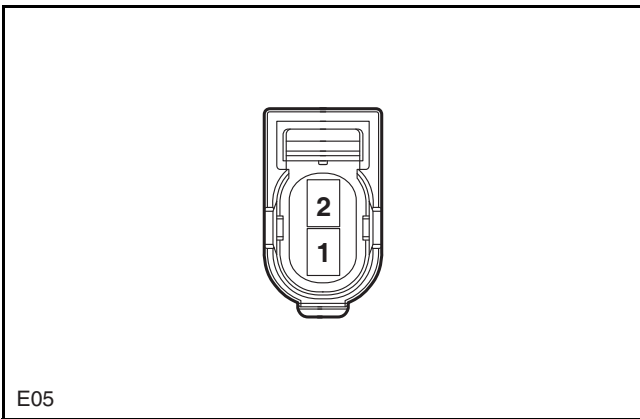
Carbon Canister Solenoid Valve



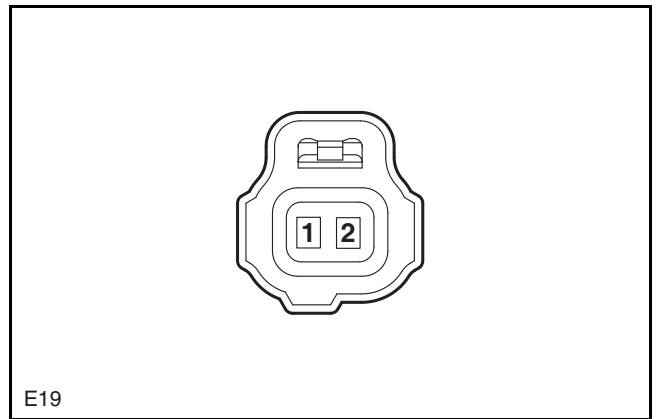
Intake OCV



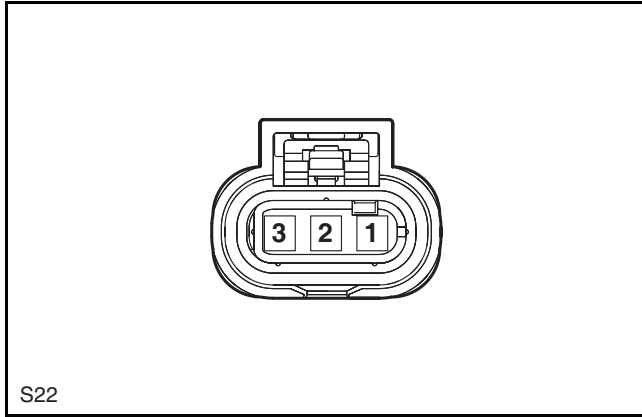
Exhaust OCV



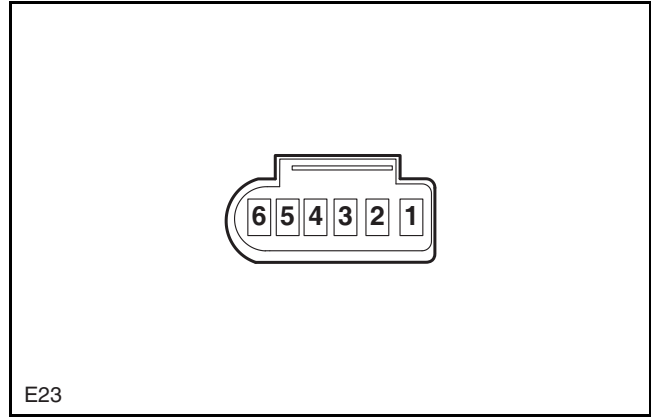
Air Intake Pressure Discharge Valve



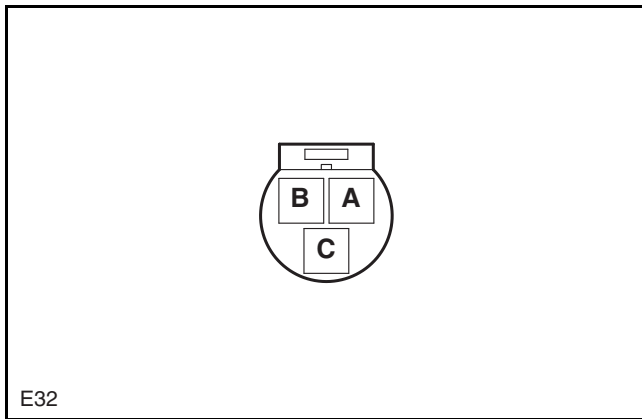
Fuel Tank Pressure Sensor



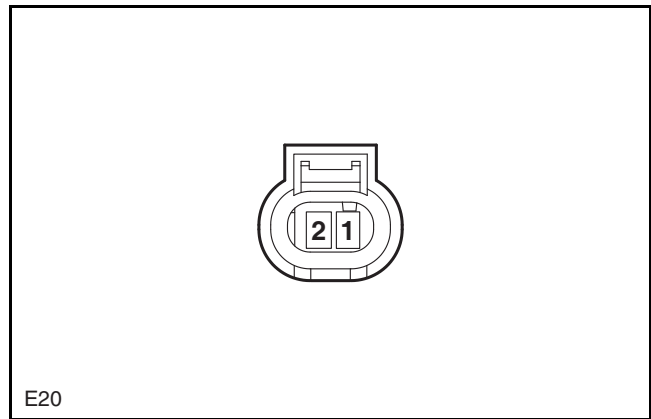
Exhaust Bypass Actuator



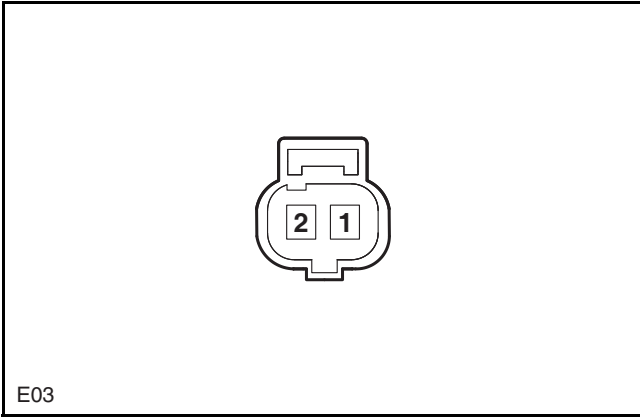
Oil Pressure Alarm Assembly



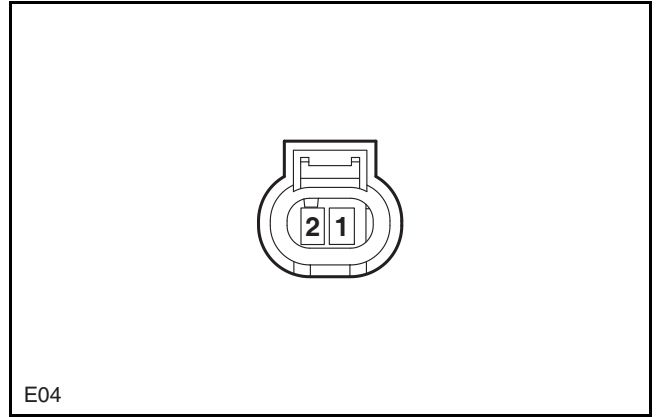
Coolant Temperature Sensor



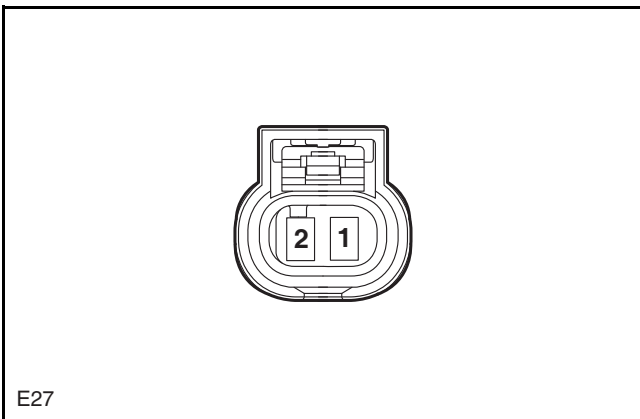
Variable Displacement Oil Pump



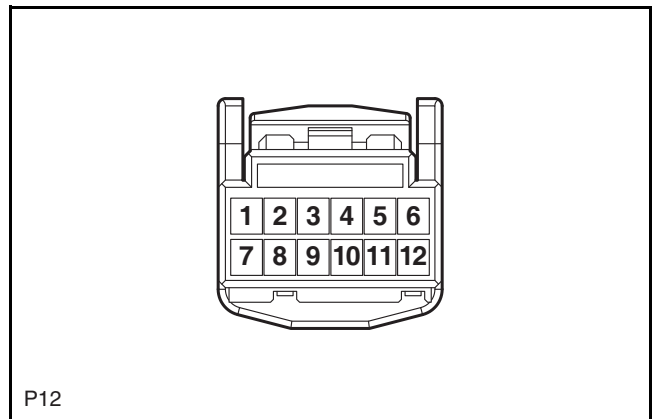
PCJ Control Valve



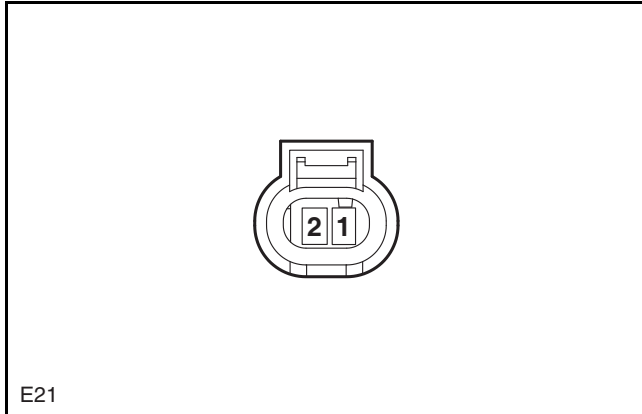
Knock Sensor



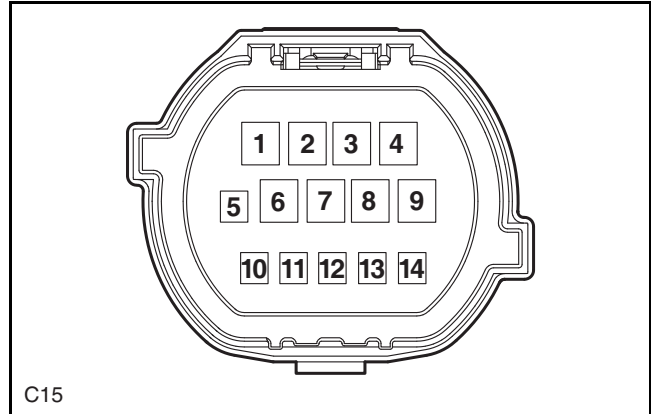
Rotary Connector (Multi-functional Switch, High Configuration/Low Configuration)



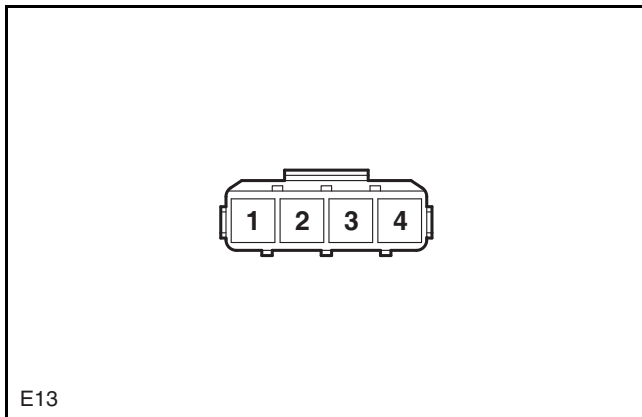
Electric Wiring Harness Conduit



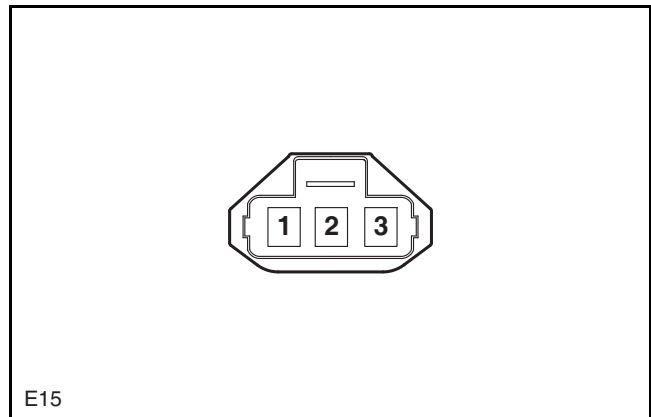
GPF Differential Pressure Sensor



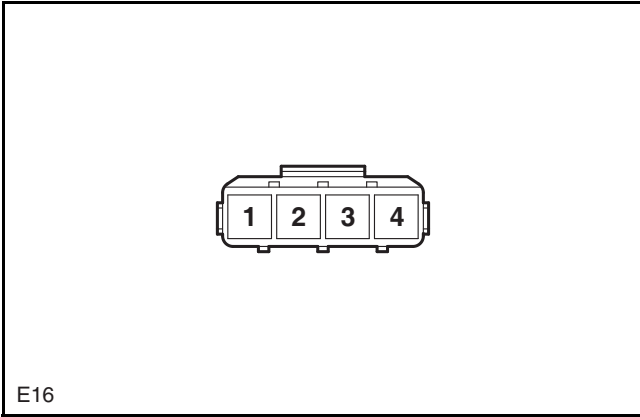
Air Intake Temperature/Pressure Sensor



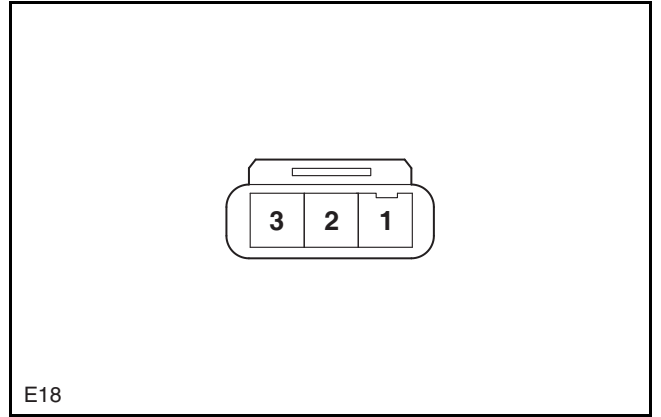
Fuel Rail Pressure Sensor



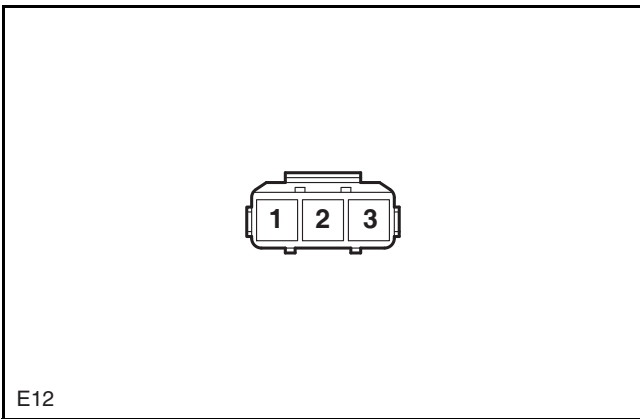
Boost Pressure/Temperature Sensor



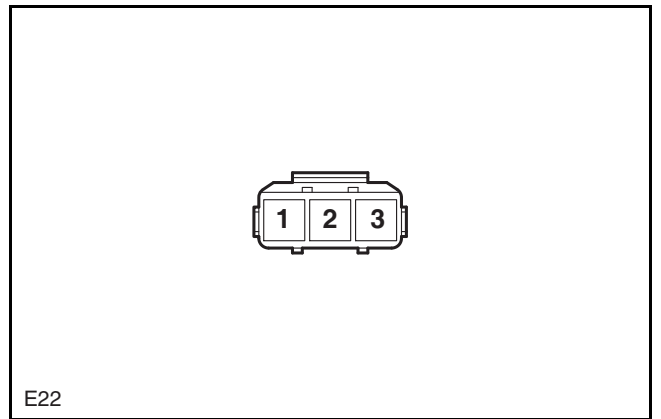
Desorption Pressure Sensor



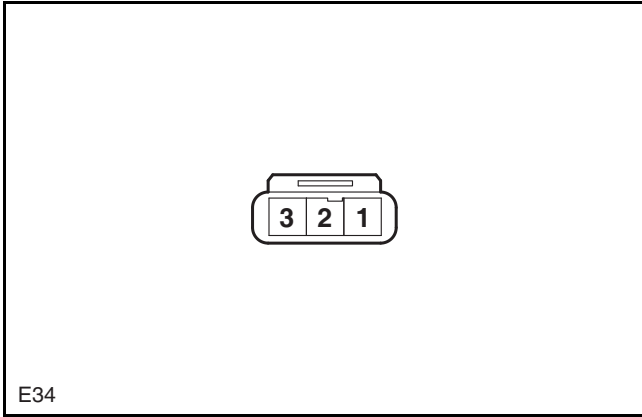
Intake Camshaft Sensor



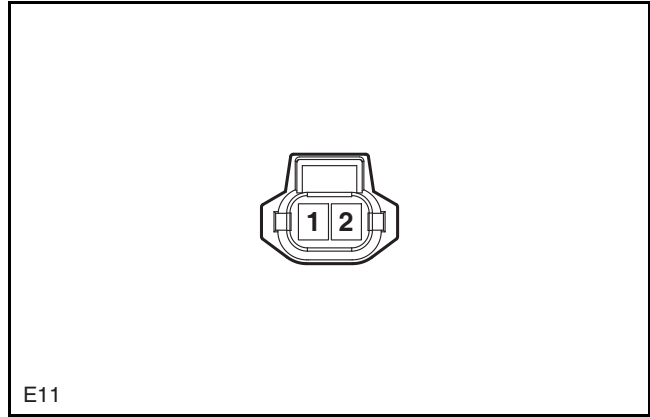
Exhaust Camshaft Sensor



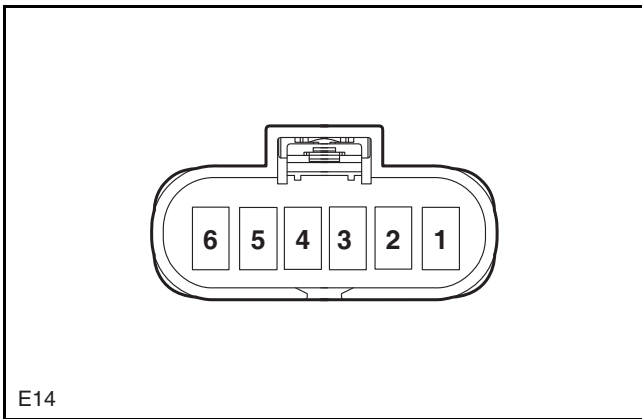
Crankshaft Position Sensor



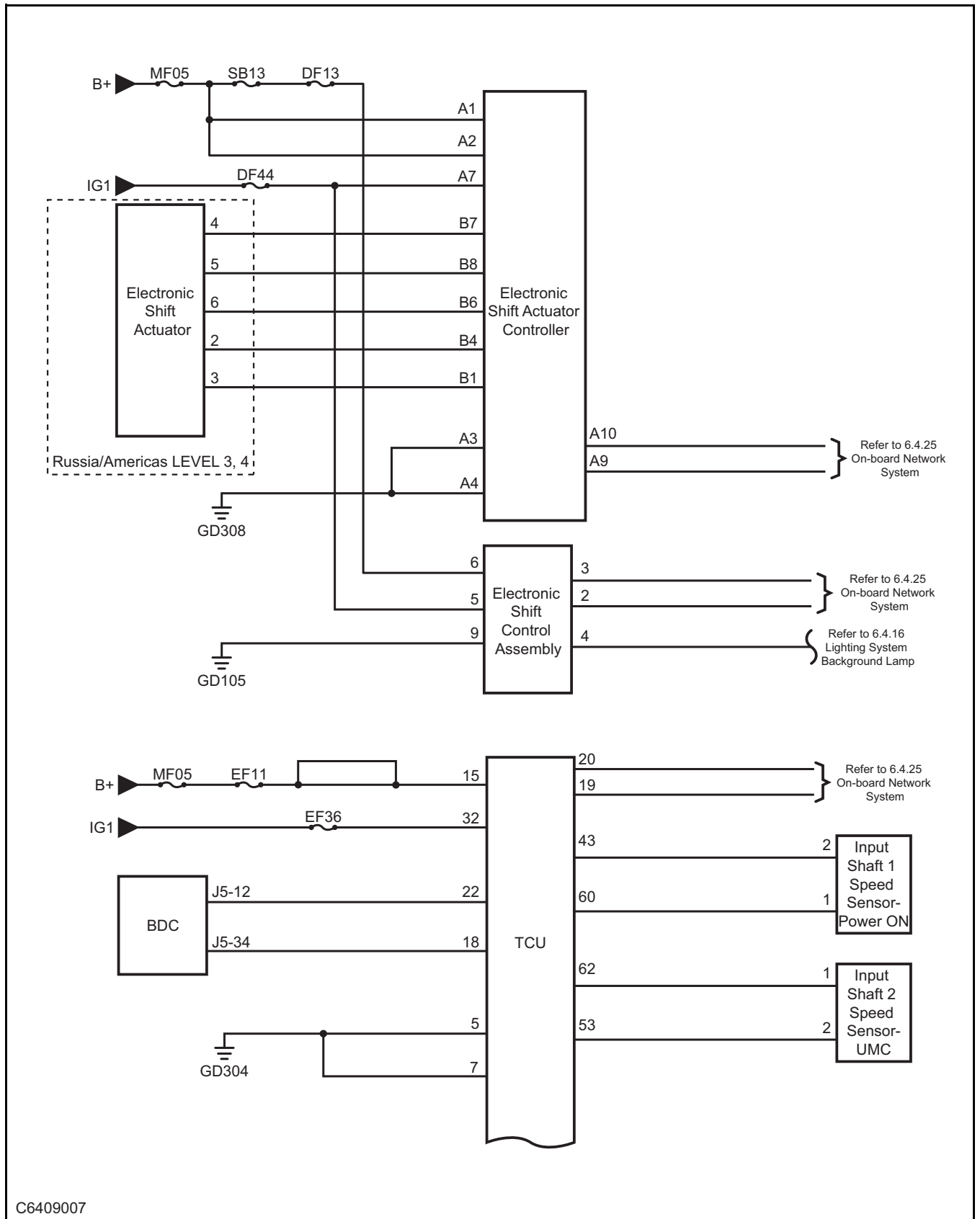
High Pressure Oil Pump



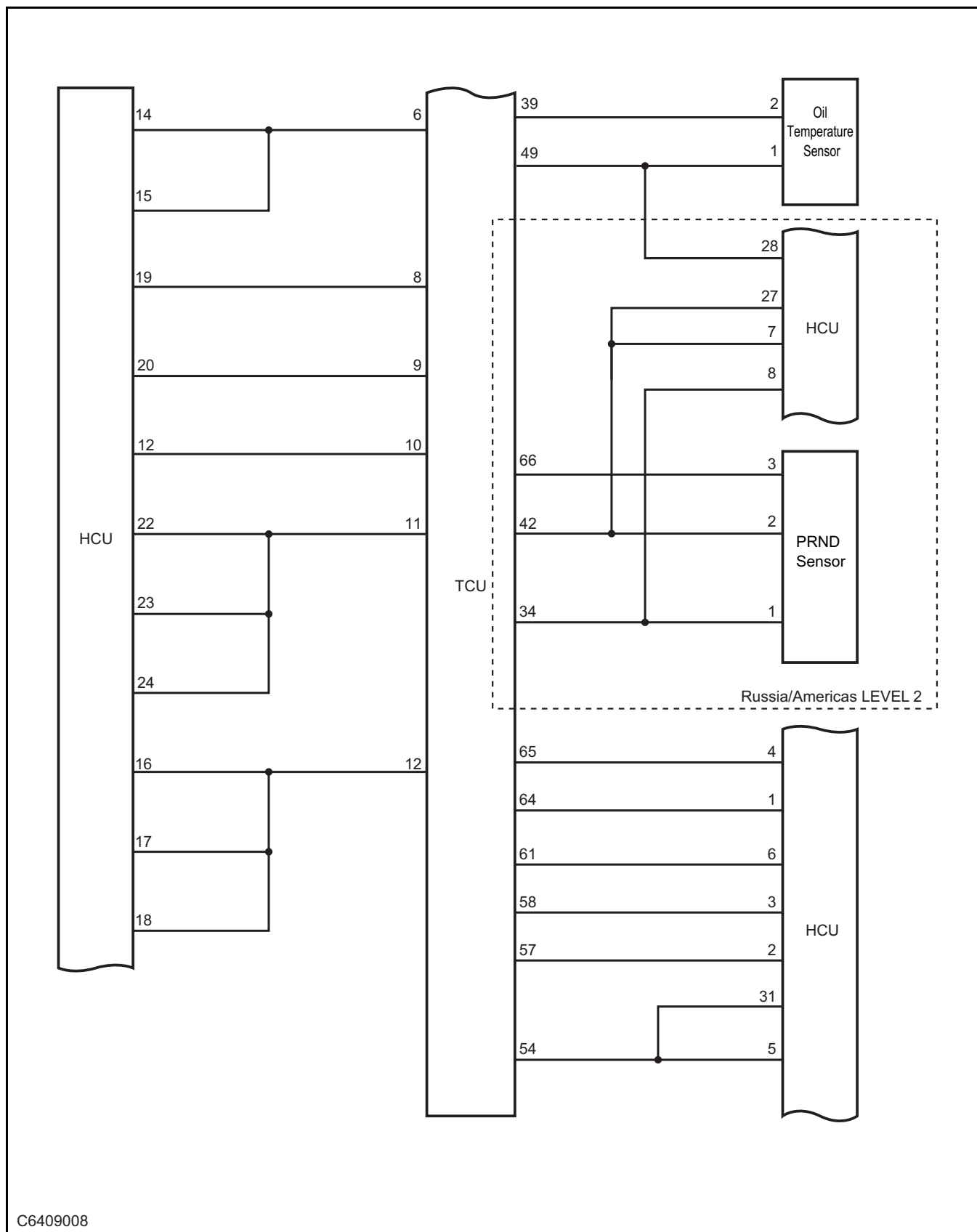
Electronic Throttle Position Sensor



Automatic Transmission

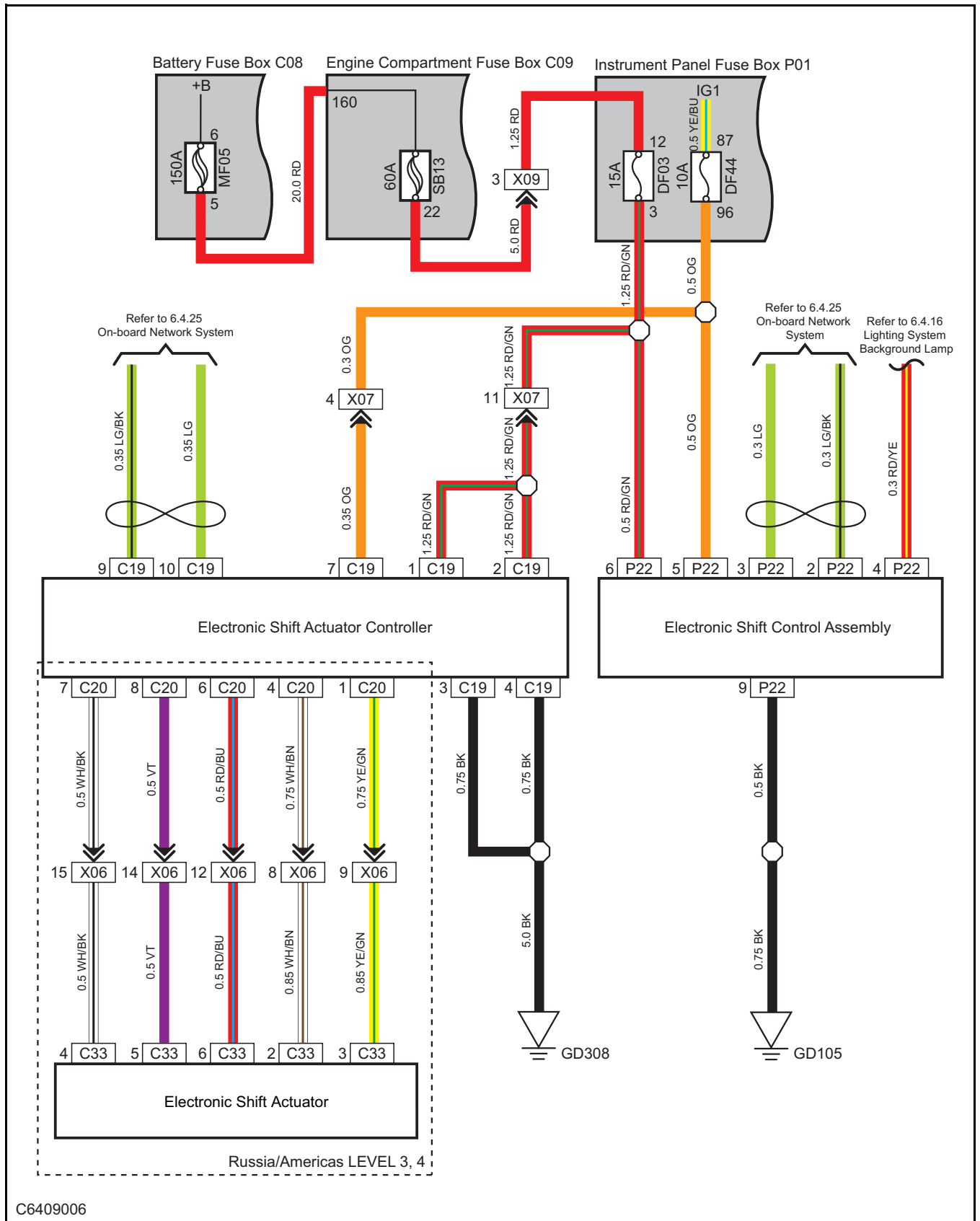


C6409007

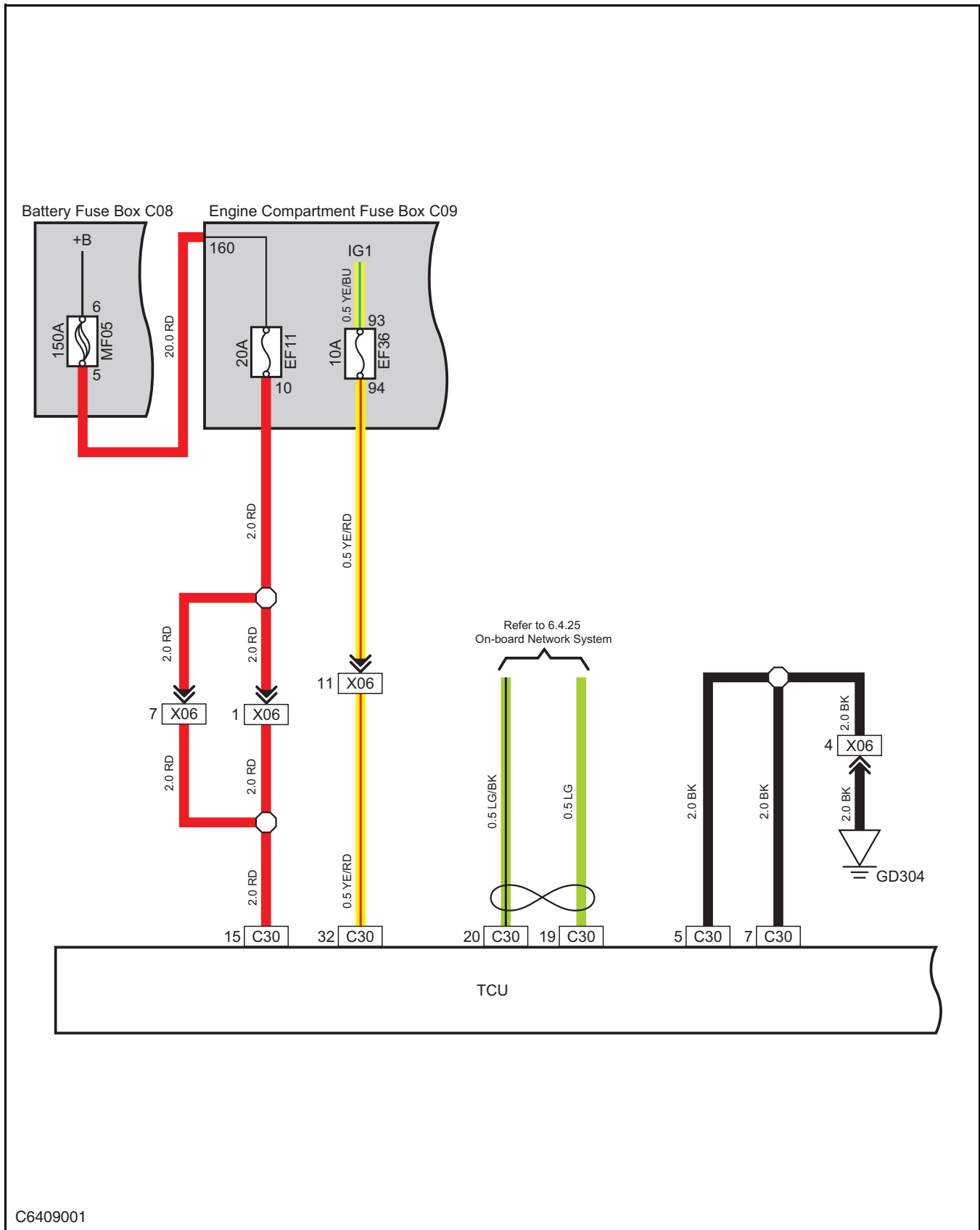


C6409008

Electronic Shift Actuator Controller/Electronic Shift Control Assembly/ Electronic Shift Actuator Controller

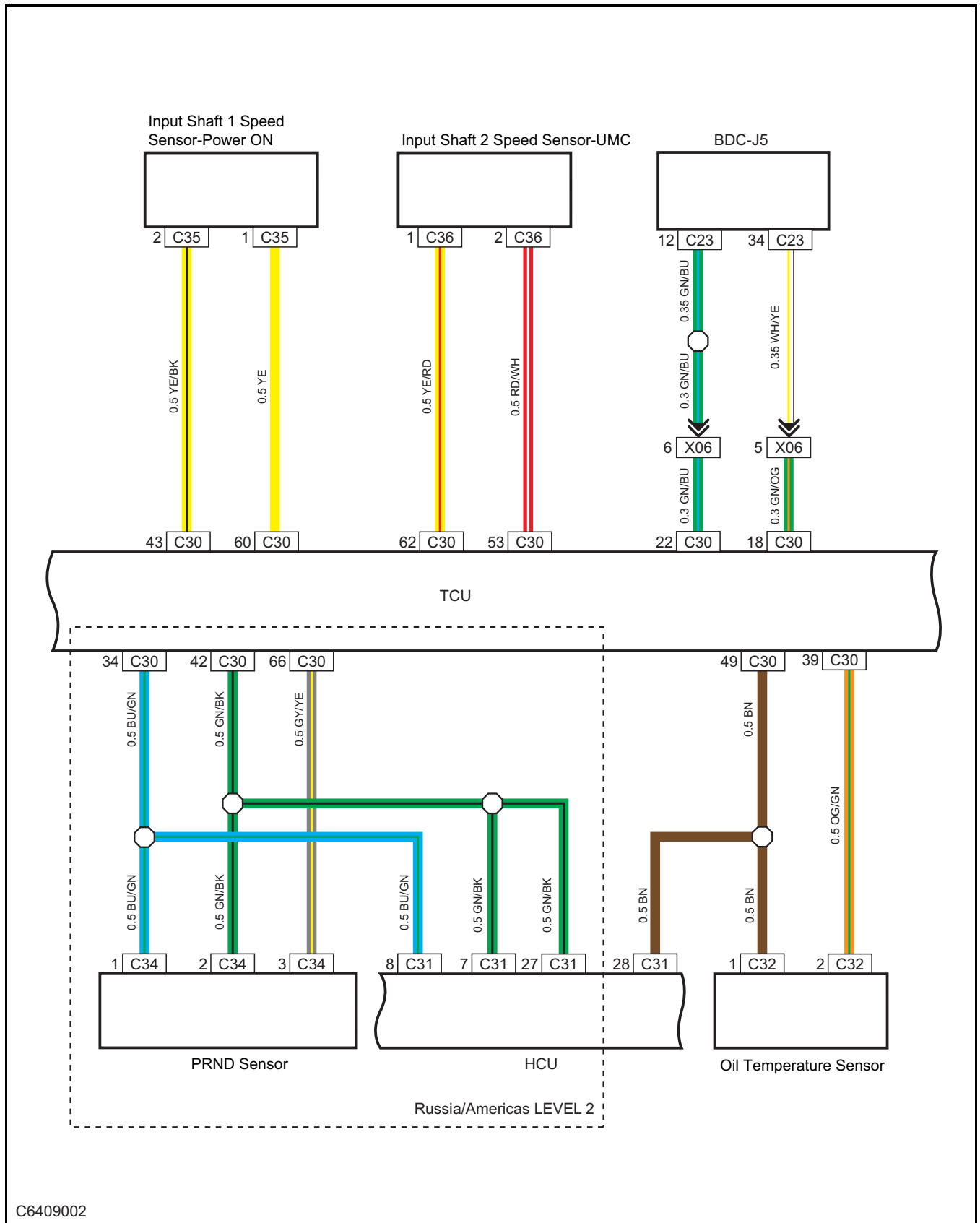


TCU Power Supply



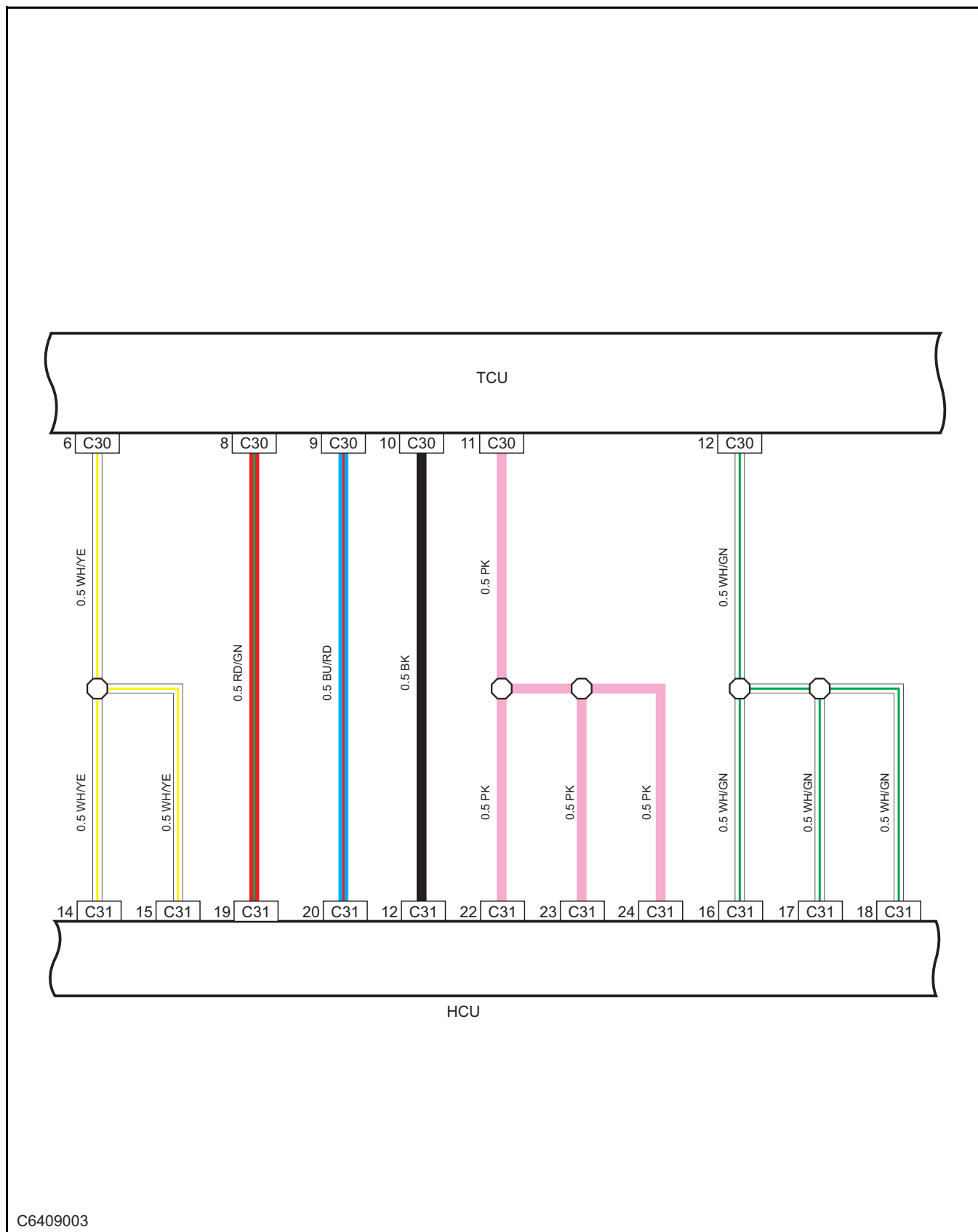
C6409001

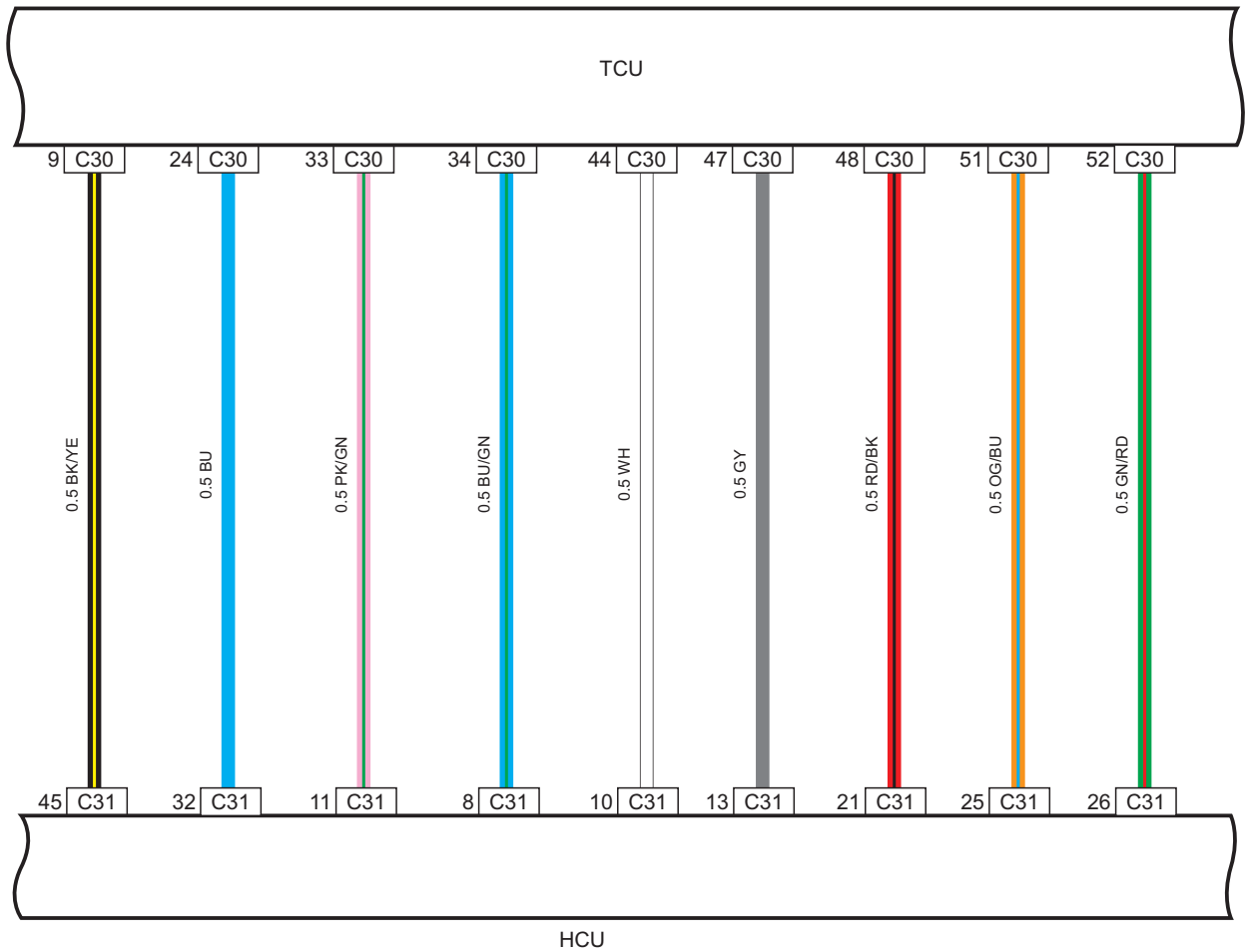
Input Shaft 1 Speed Sensor - UMC/Input Shaft 2 Speed Sensor - UMC/PRND Sensor/HCU/Oil Temperature Sensor



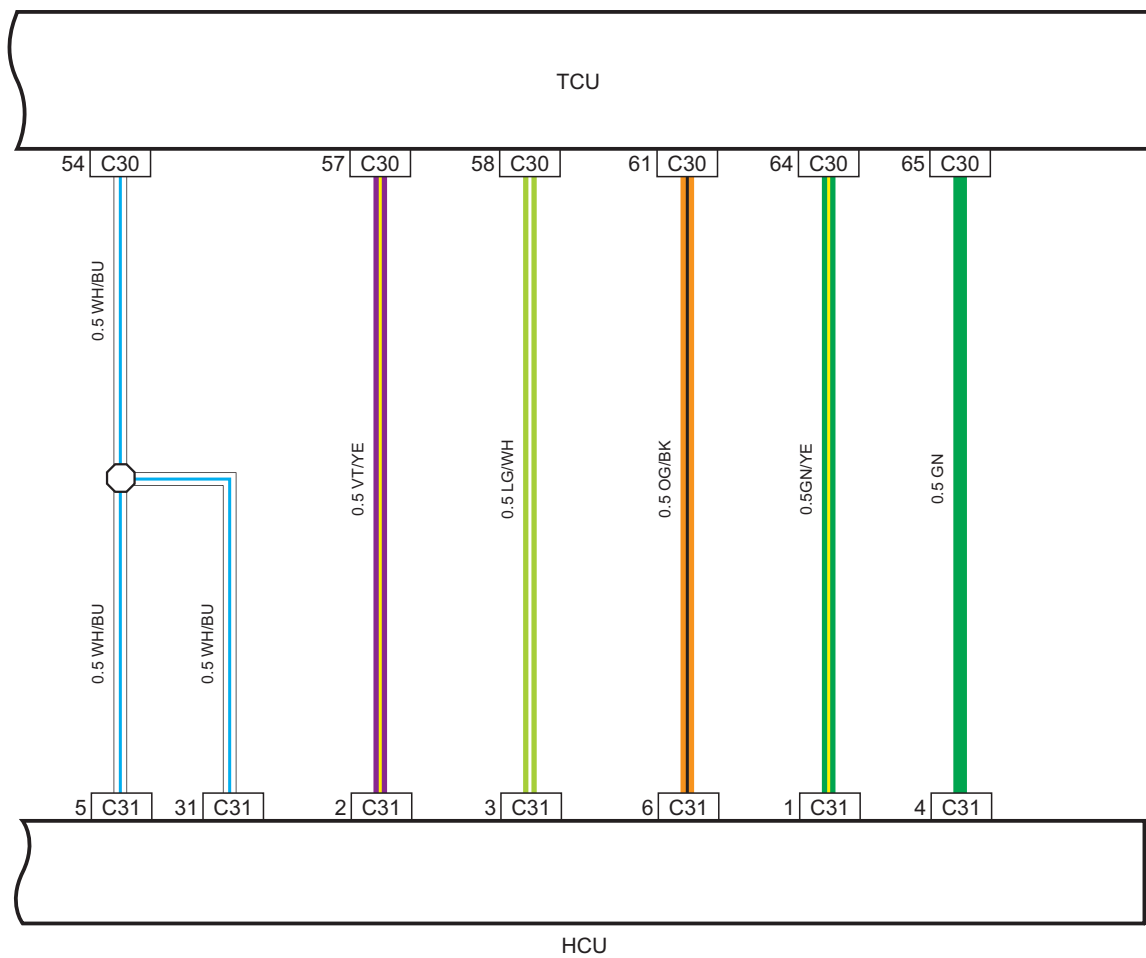
C6409002

TCU/HCU



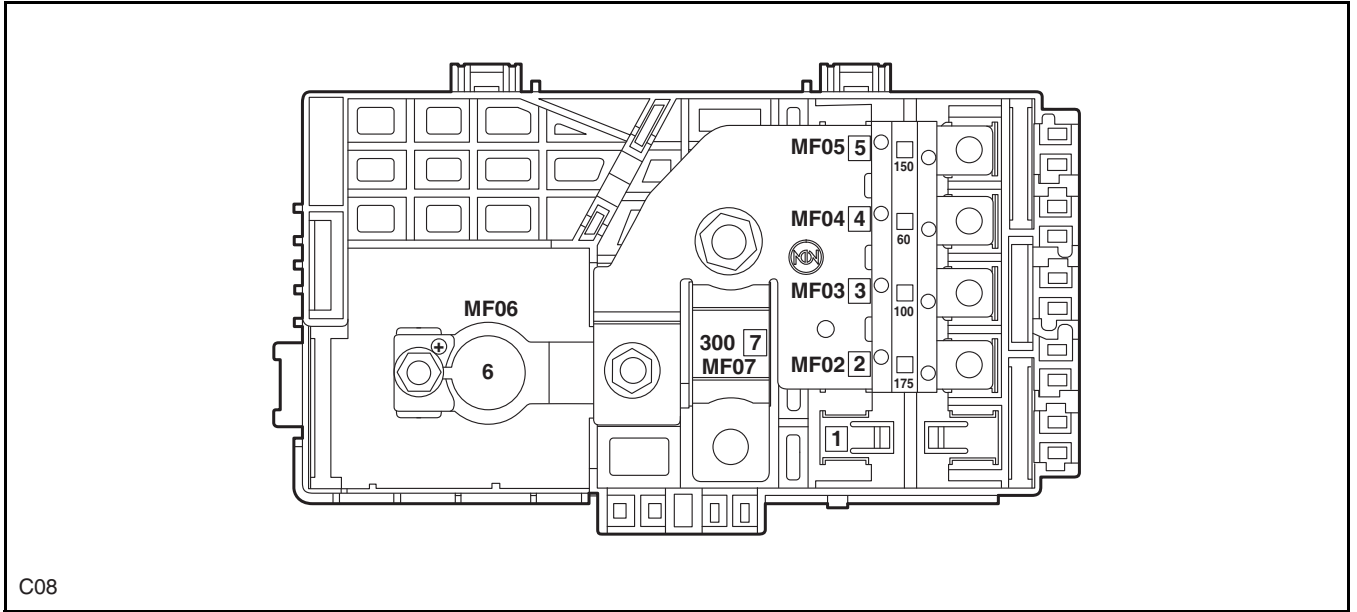


C6409004



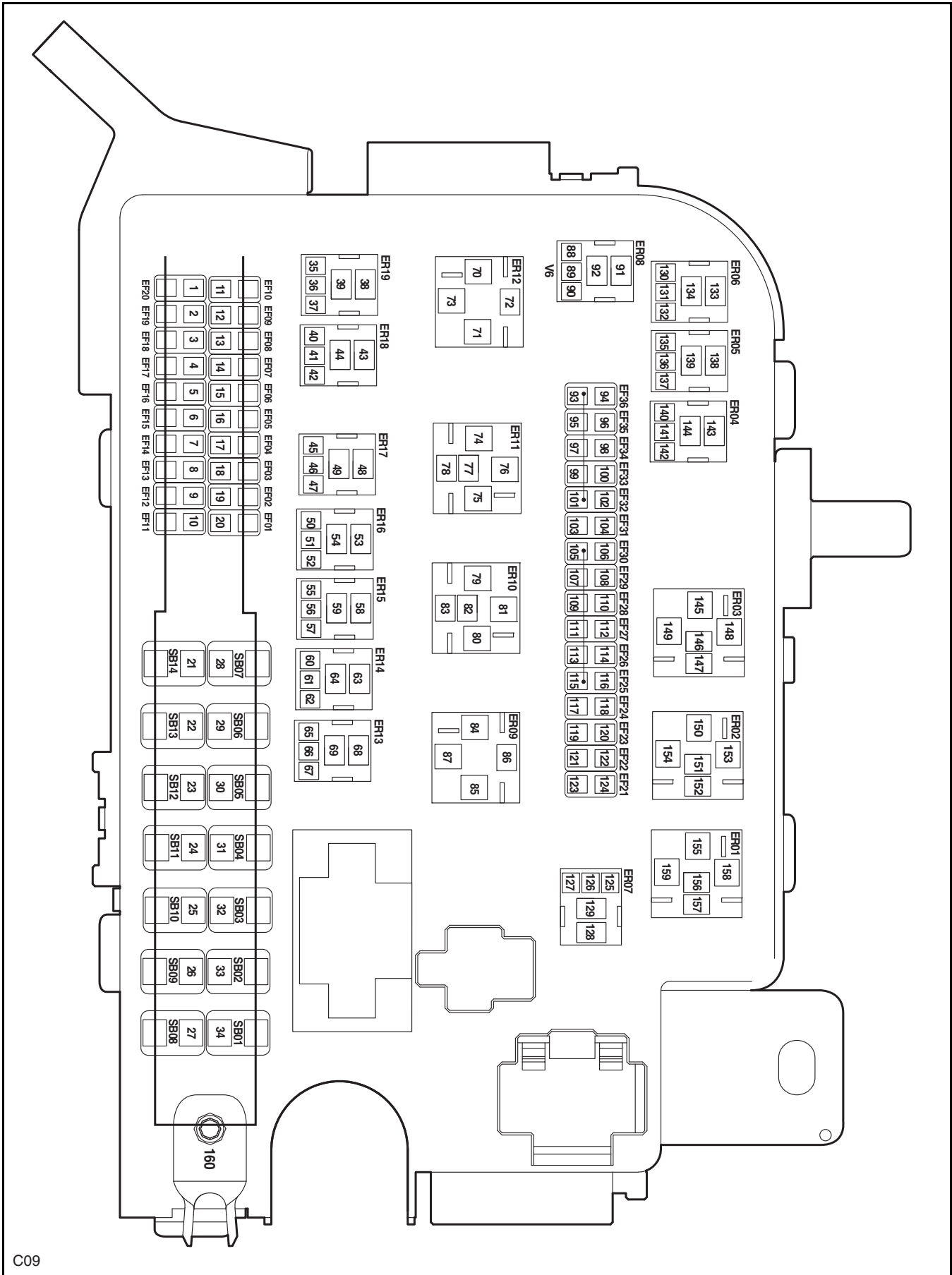
C6409005

Battery Fuse Box



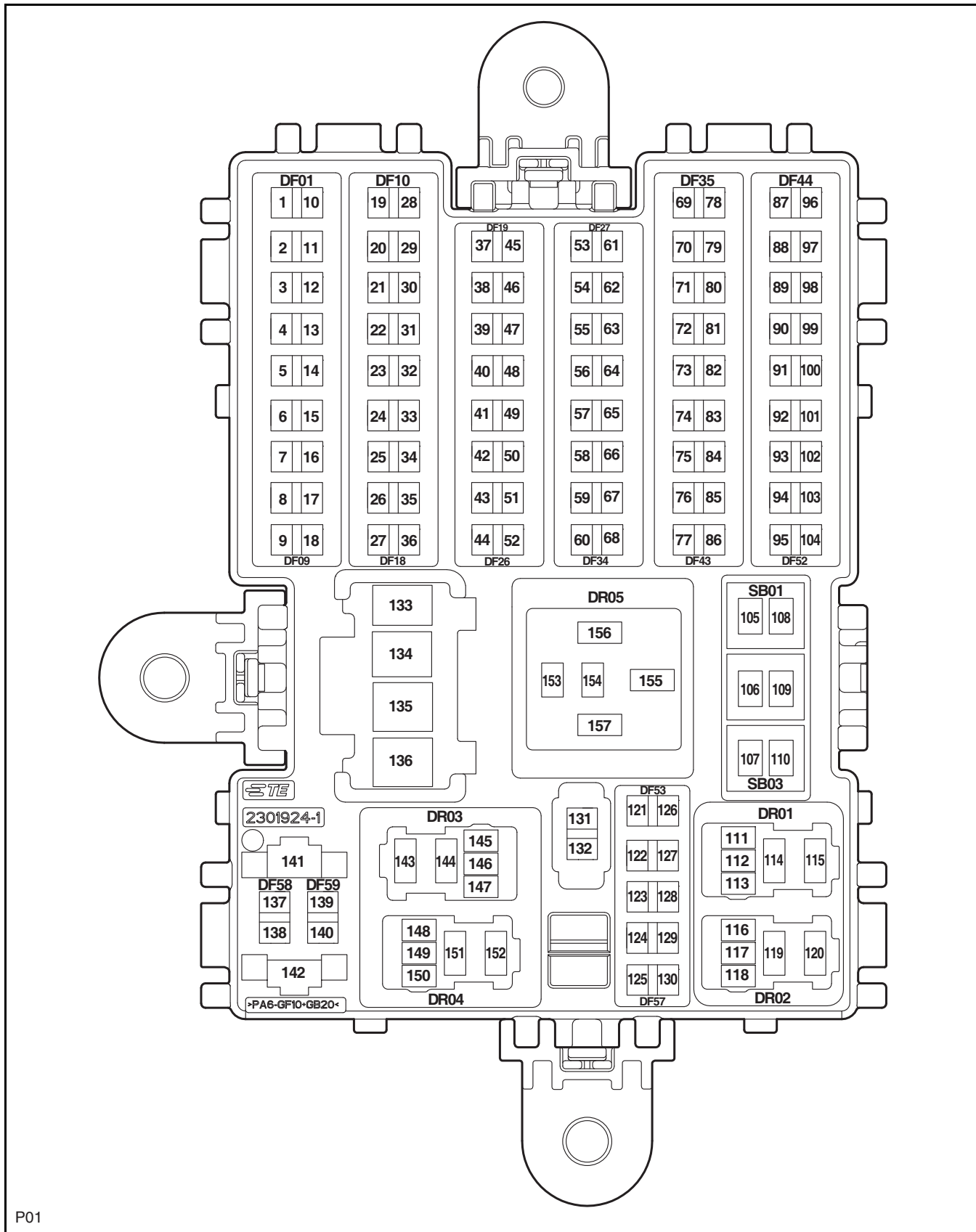
C08

Engine Compartment Fuse Box



C09

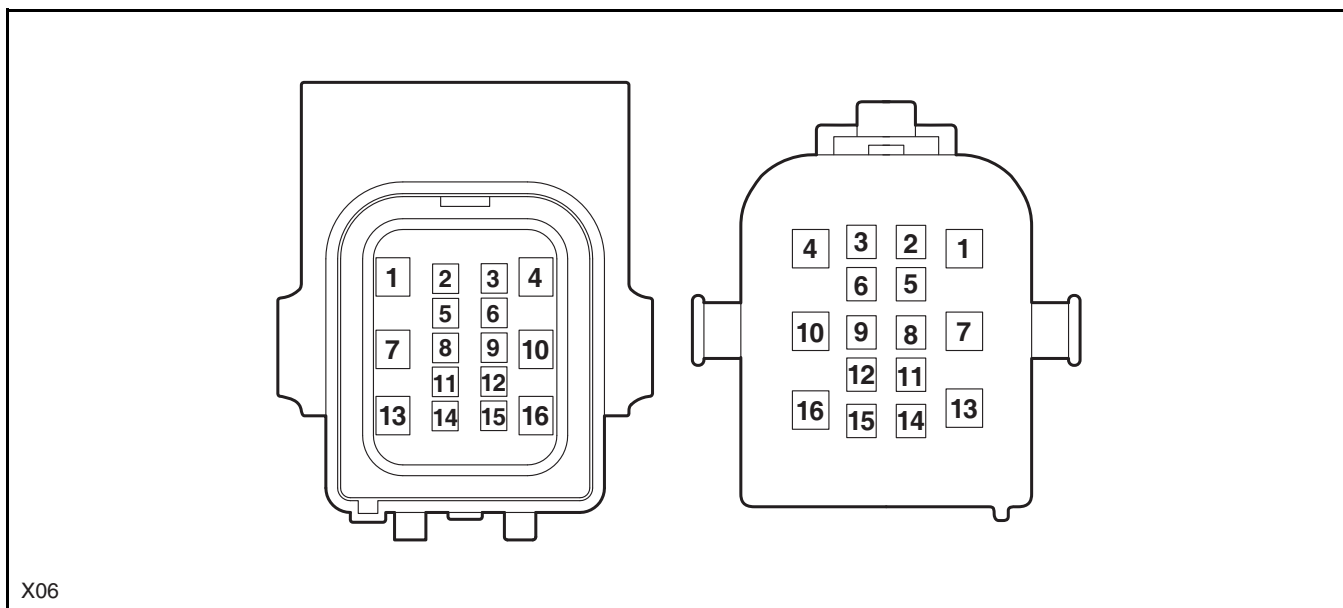
Instrument Panel Fuse Box



P01

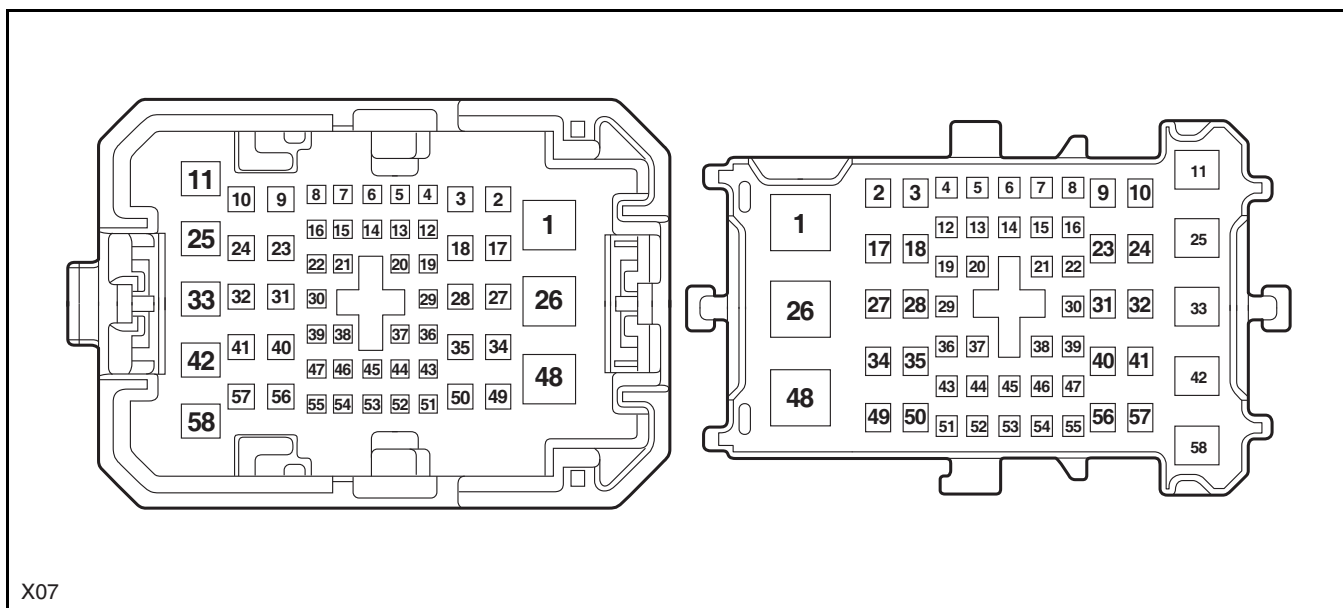
Engine Compartment Wiring Harness to Transmission Wiring Harness

Transmission Wiring Harness to Engine Compartment Wiring Harness



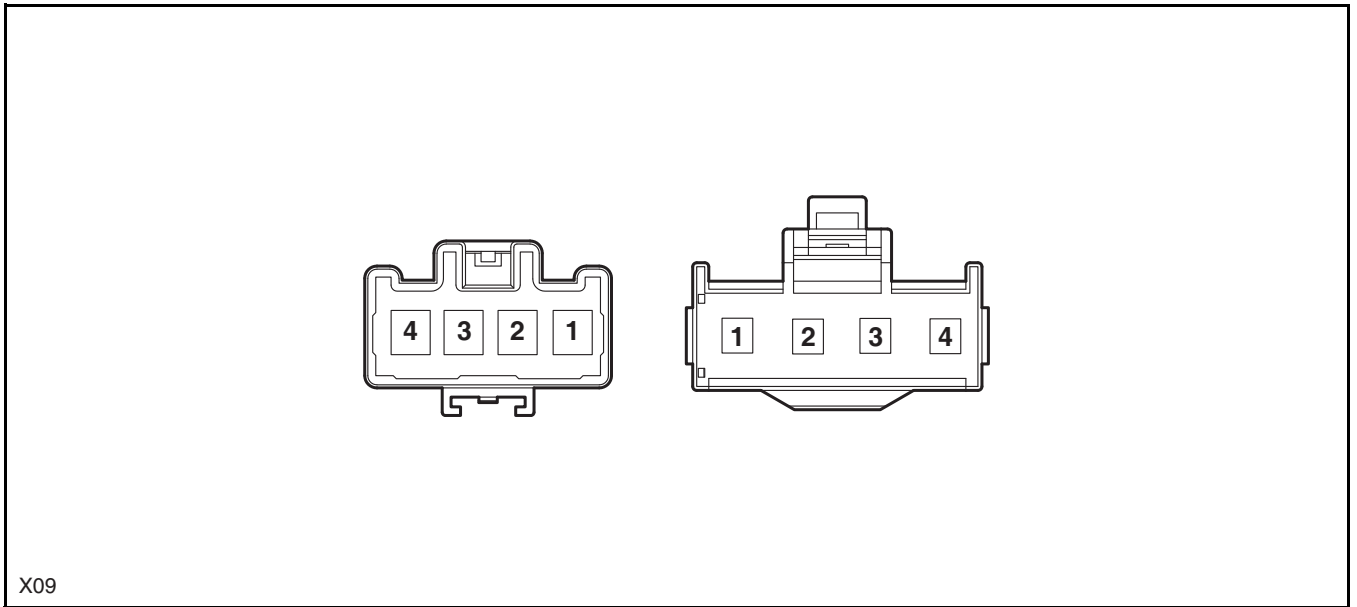
Engine Compartment Wiring Harness to Instrument Panel Wiring Harness (Left 1)

Instrument Panel Wiring Harness (Left 1) to Engine Compartment Wiring Harness



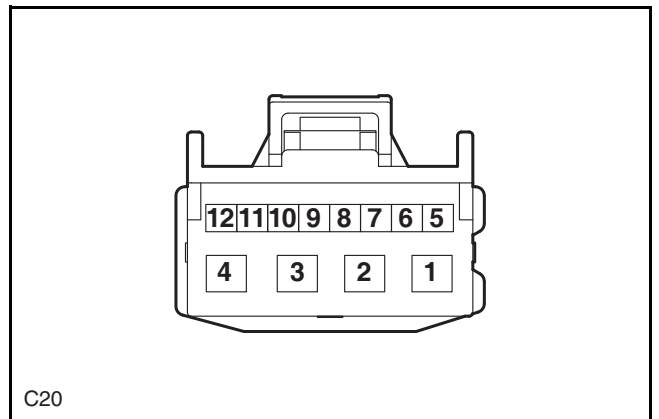
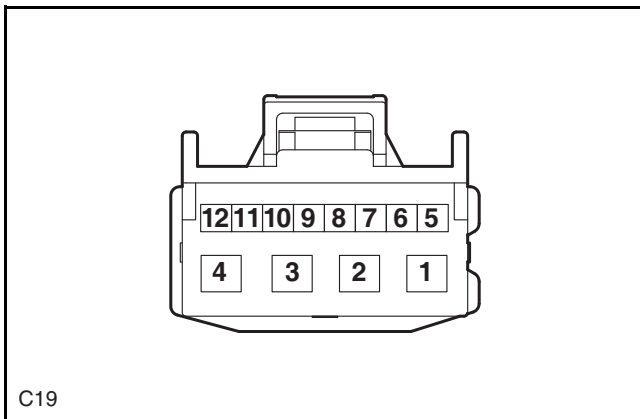
Engine Compartment Wiring Harness to Instrument Panel Wiring Harness (Left 3)

Instrument Panel Wiring Harness (Left 3) to Engine Compartment Wiring Harness

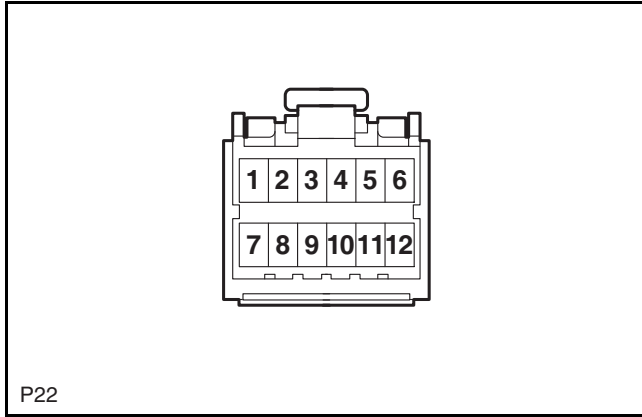


Electronic Shift Actuator Controller A

Electronic Shift Actuator Controller B

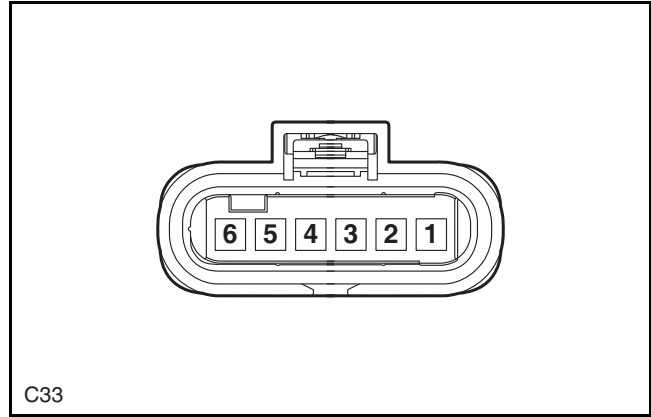


Electronic Shift Control Assembly

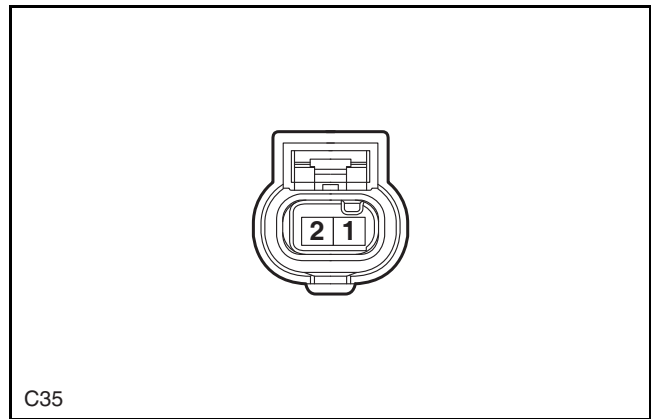
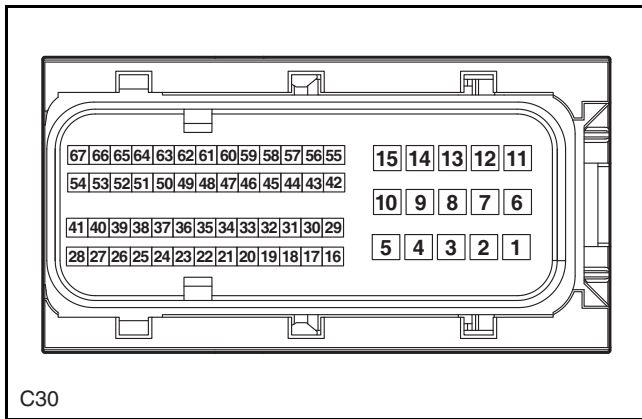


TCU

Electronic Shift Actuator

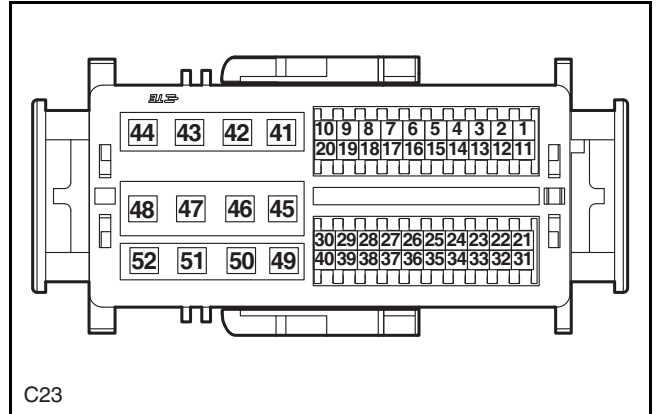
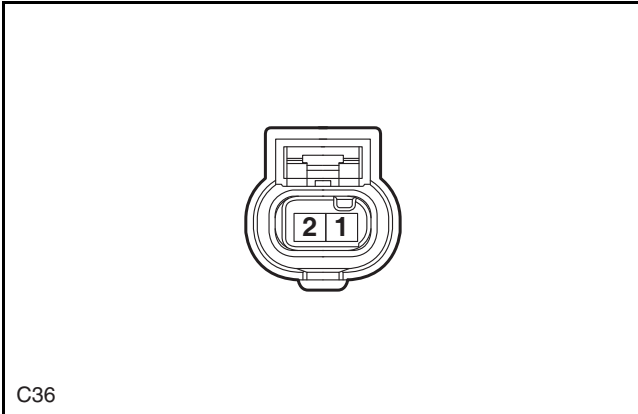


Input Shaft 1 Speed Sensor-UMC



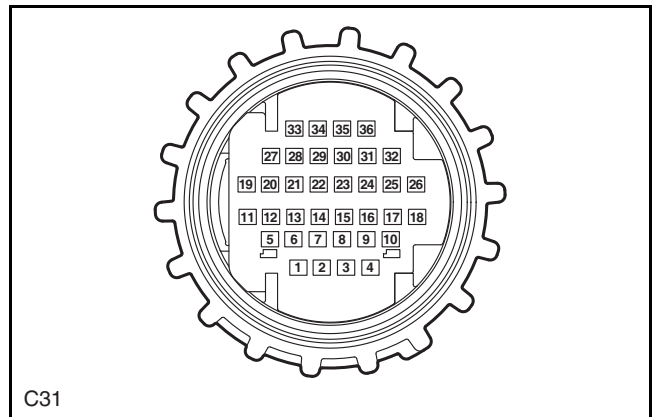
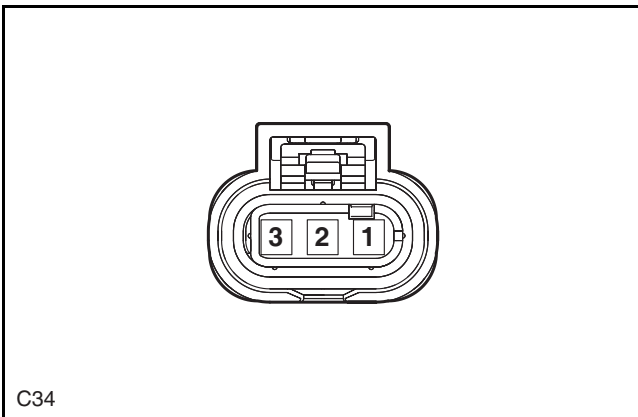
Input Shaft 2 Speed Sensor-UMC

BDC-J5

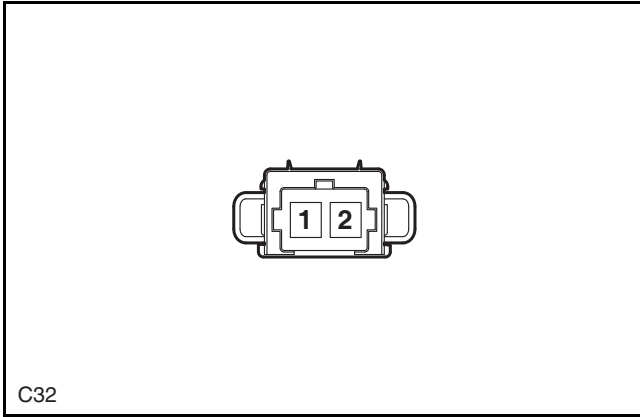


PRND Sensor

HCU

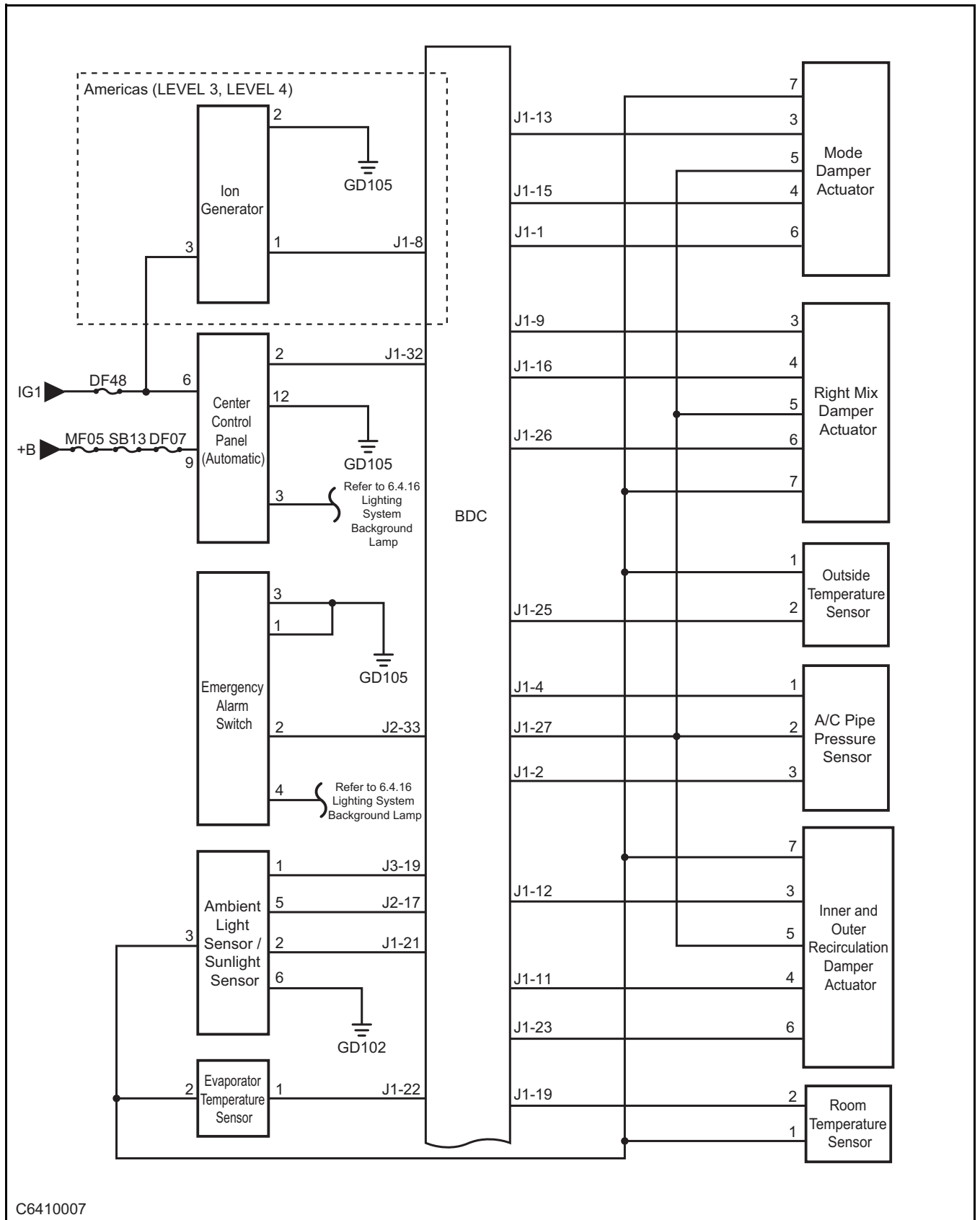


Oil Temperature Sensor

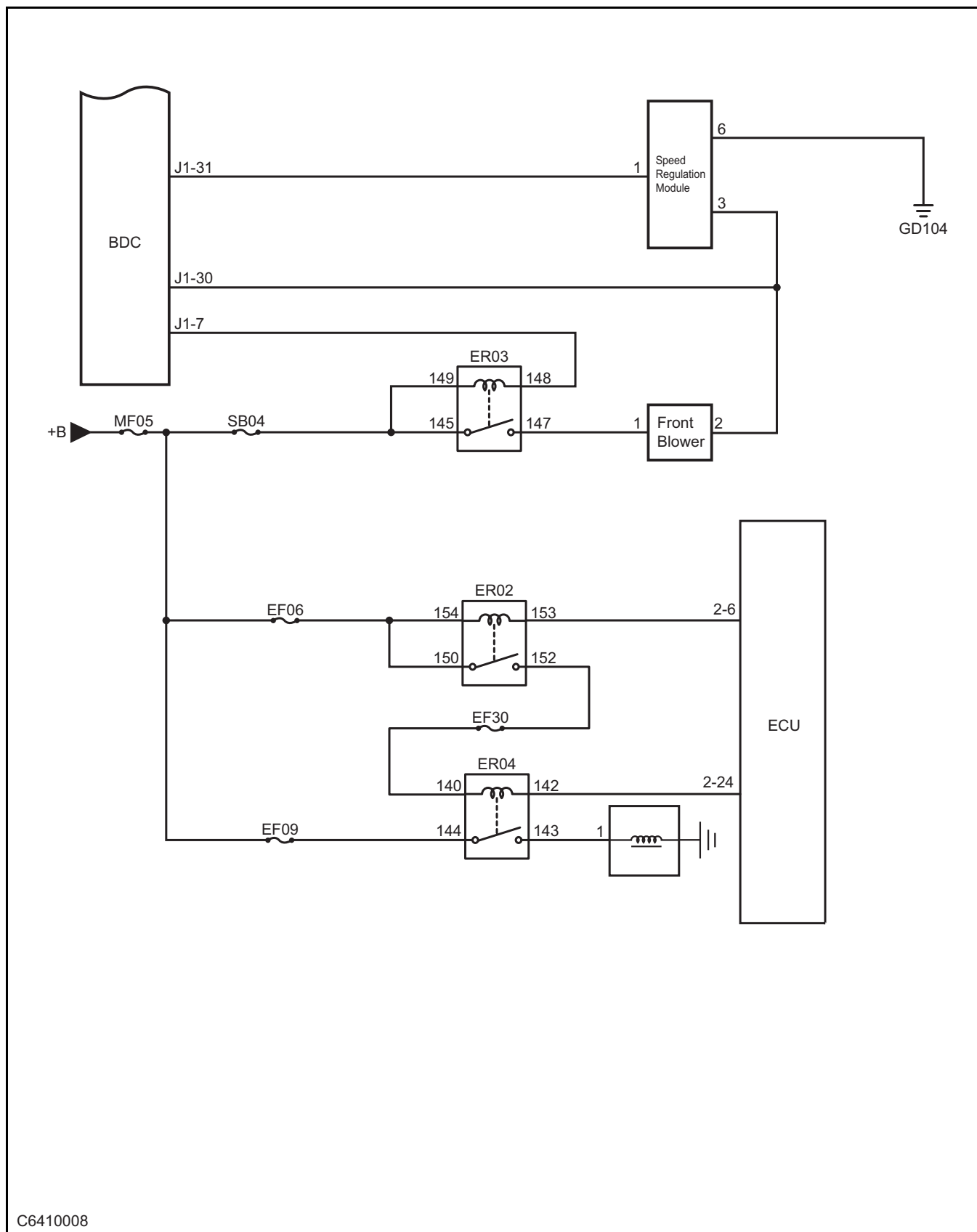


C32

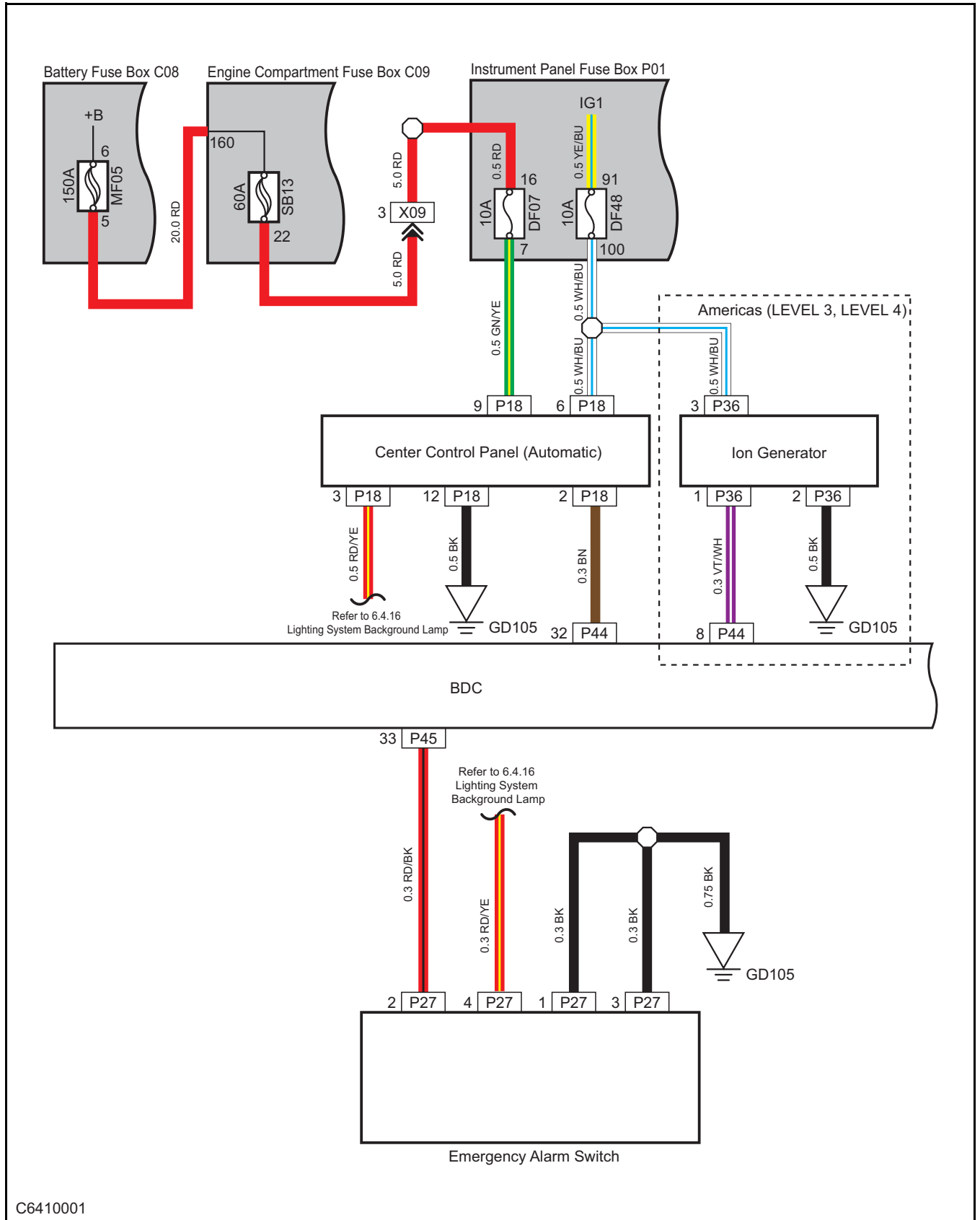
Heating, Ventilation and Air Conditioning



C6410007

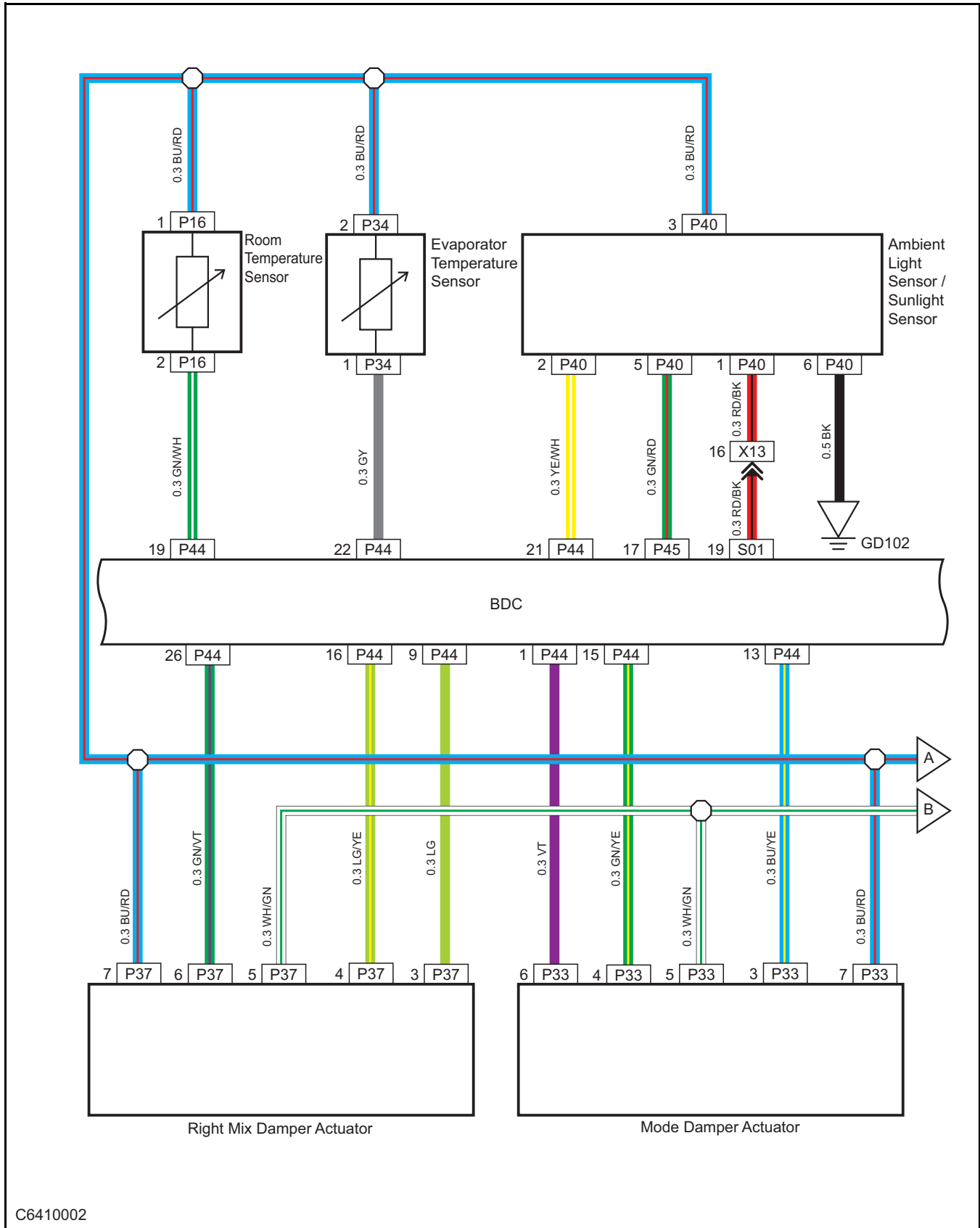


Center Control Panel (Automatic)/Ion Generator/Inner and Outer Recirculation Damper Actuator/Emergency Alarm Switch

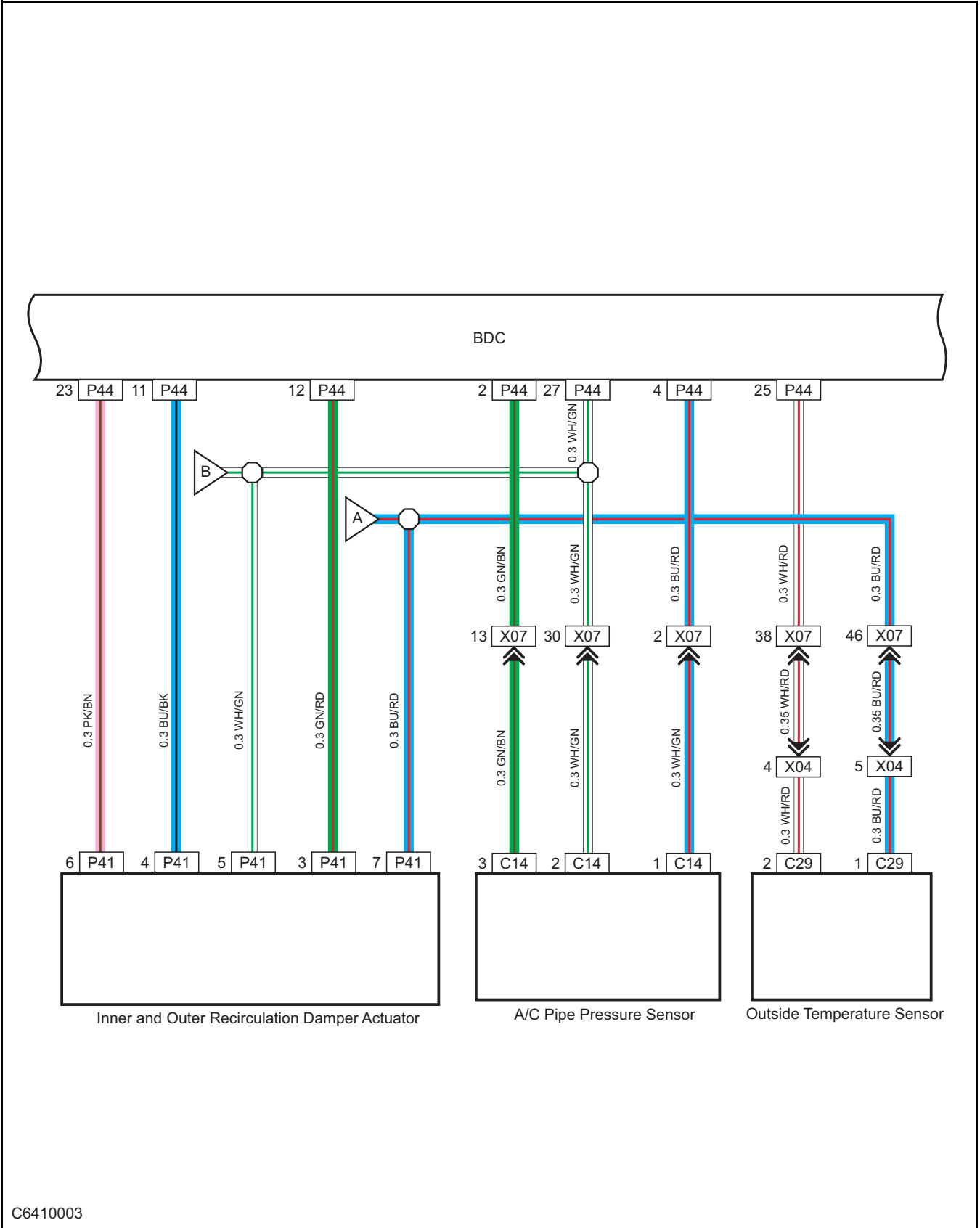


C6410001

Room Temperature Sensor/Evaporator Temperature Sensor/Ambient Light Sensor/Right Mix Damper Actuator/Mode Damper Actuator

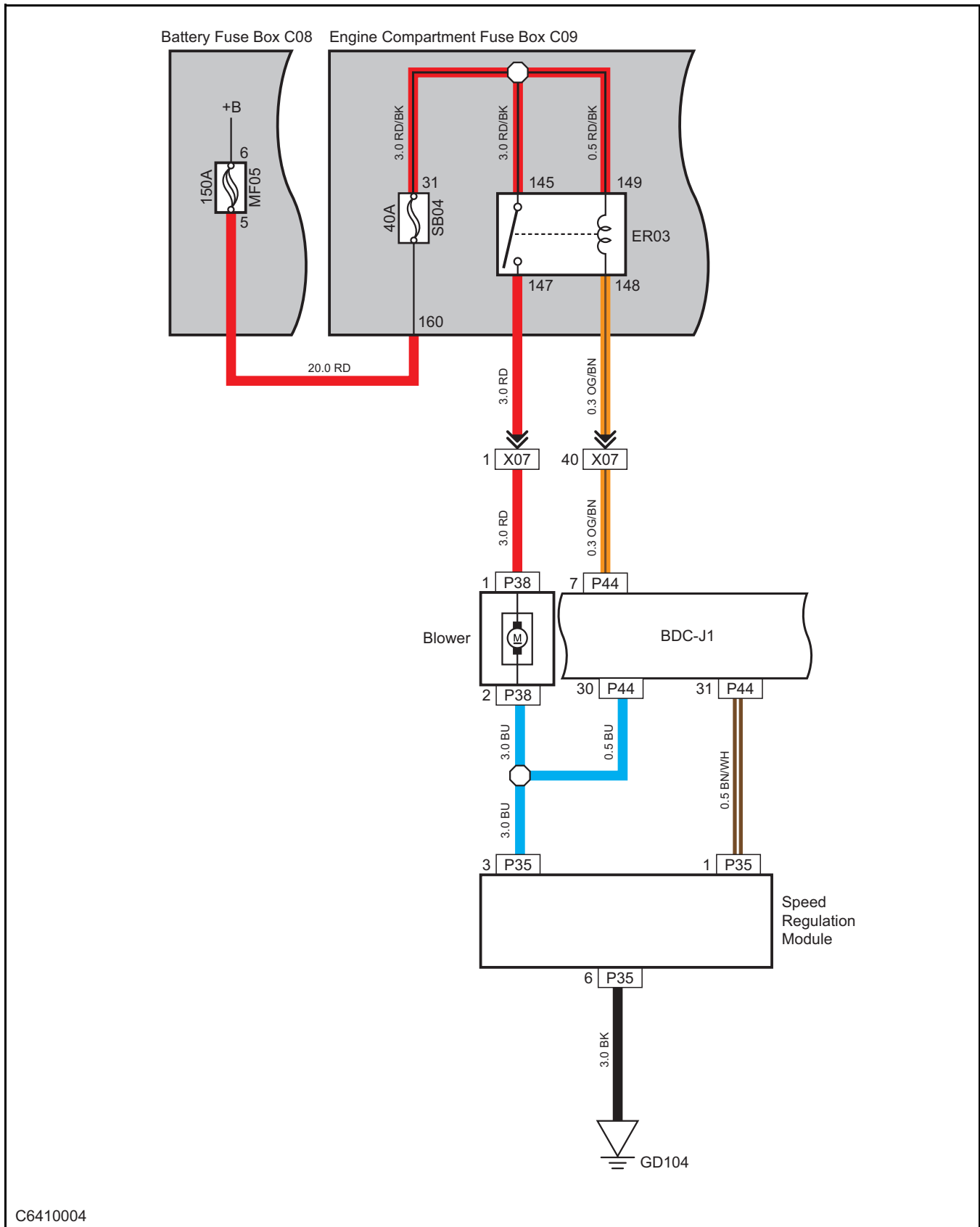


A/C Pipe Pressure Sensor/Outside Temperature Sensor/ A/C Pressure Switch



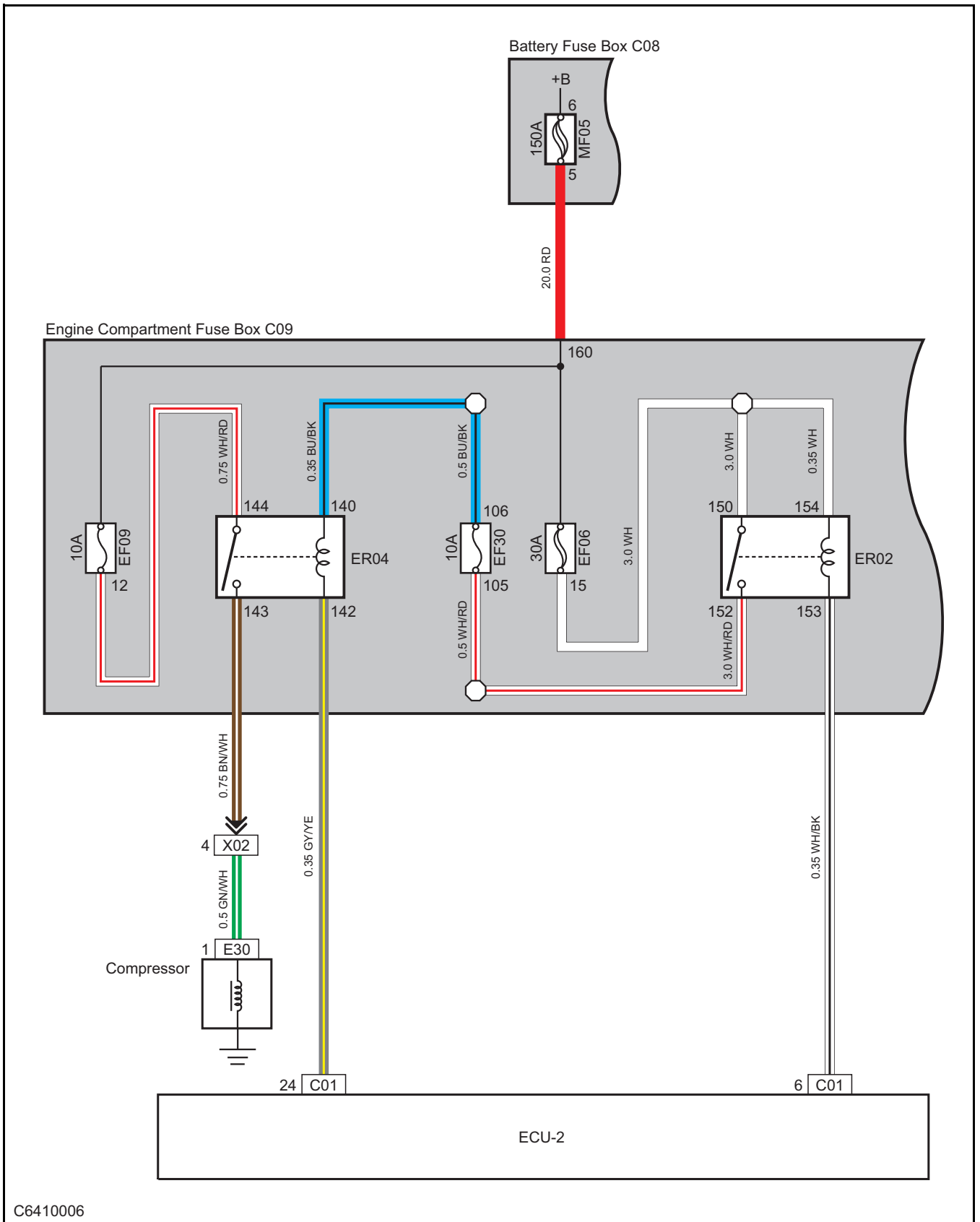
C6410003

Front Blower/Speed Regulation Module



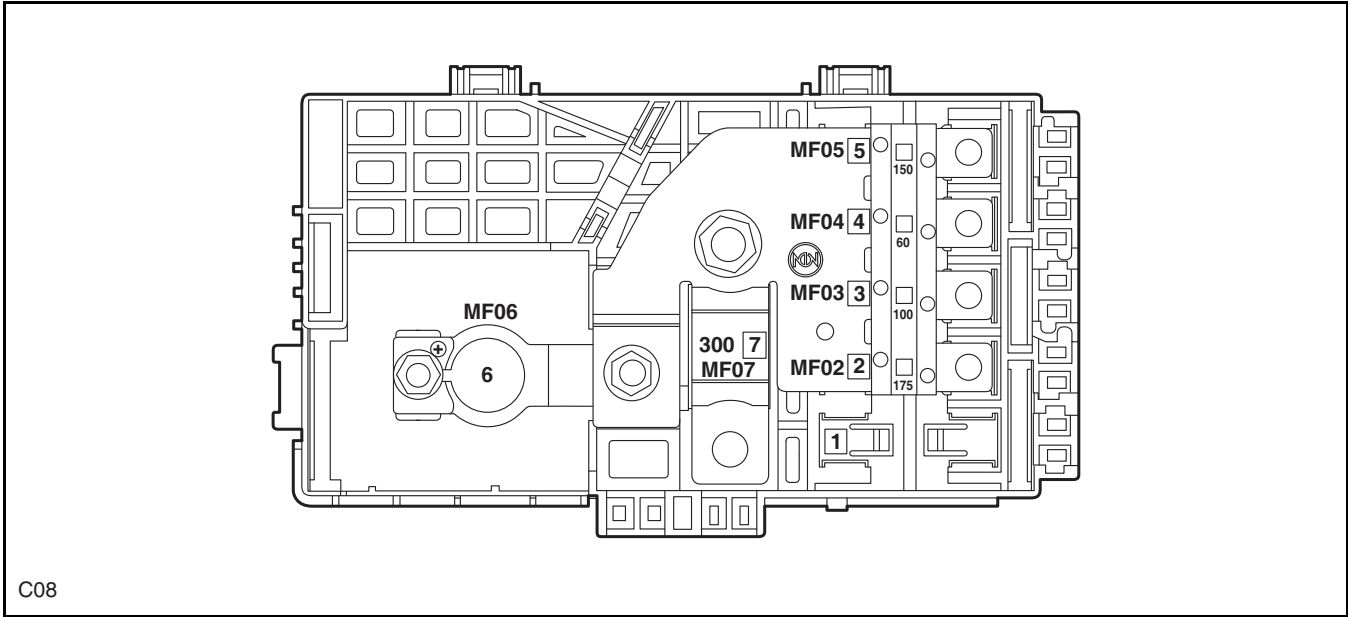
C6410004

Compressor



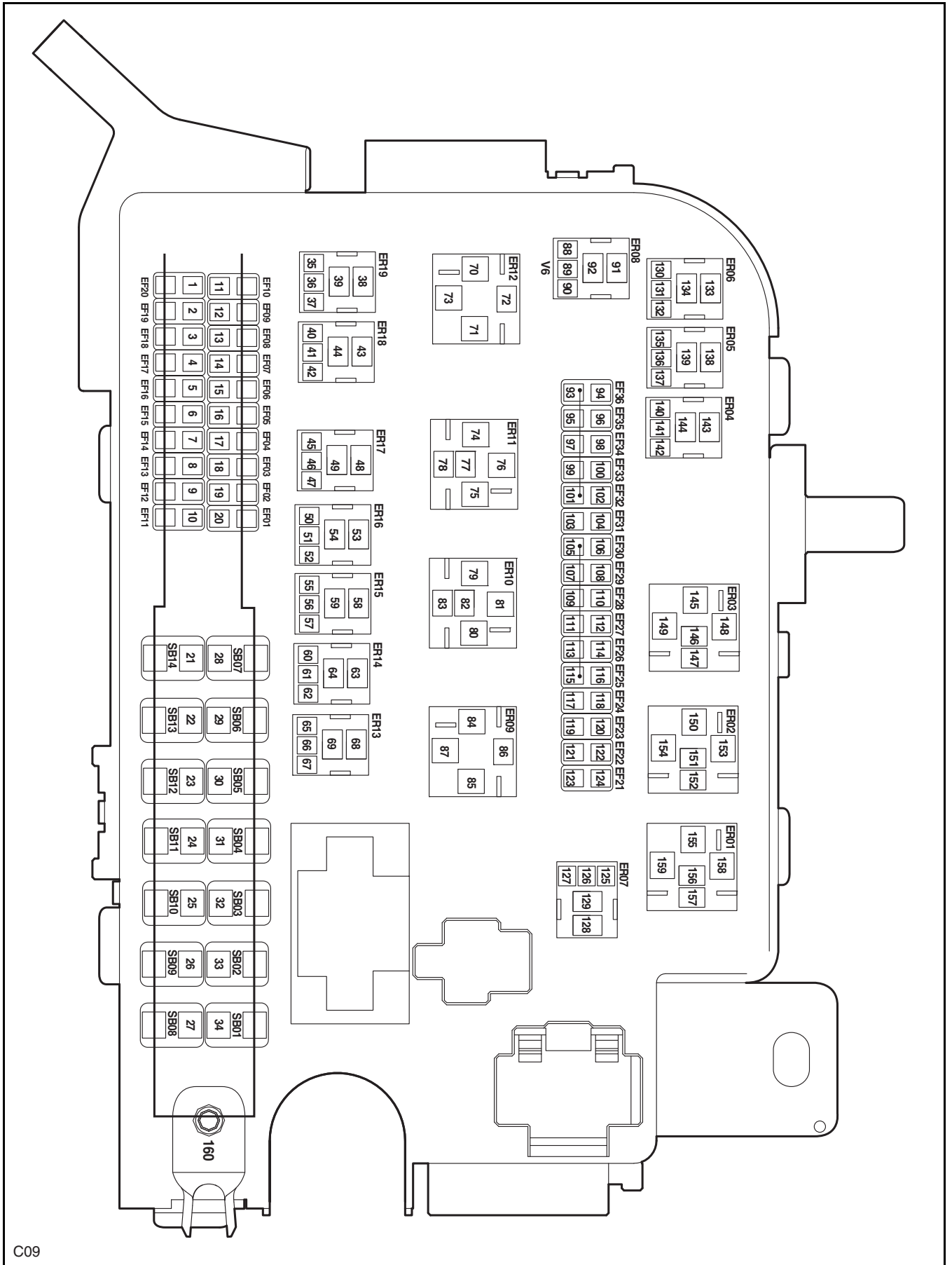
C6410006

Battery Fuse Box

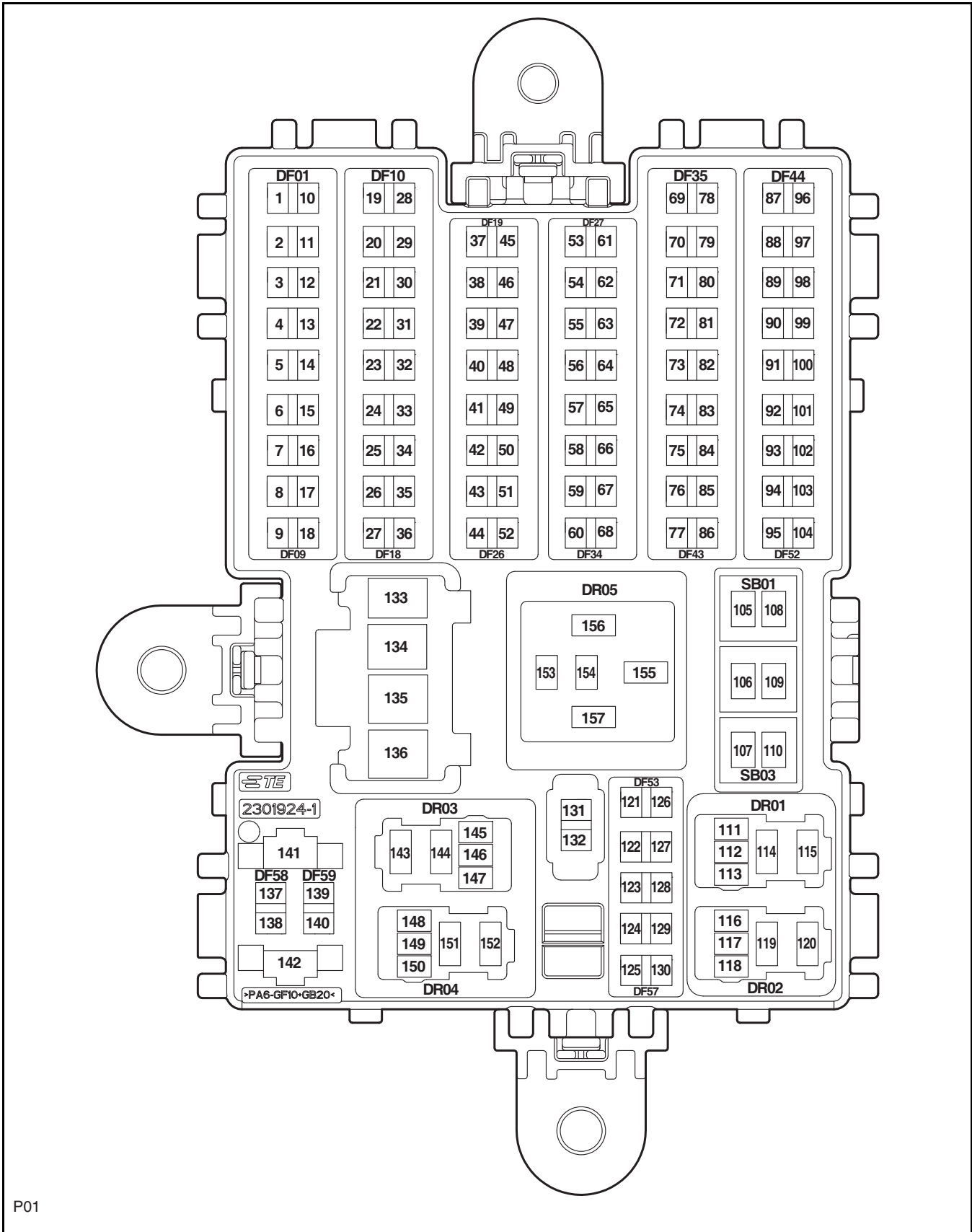


C08

Engine Compartment Fuse Box



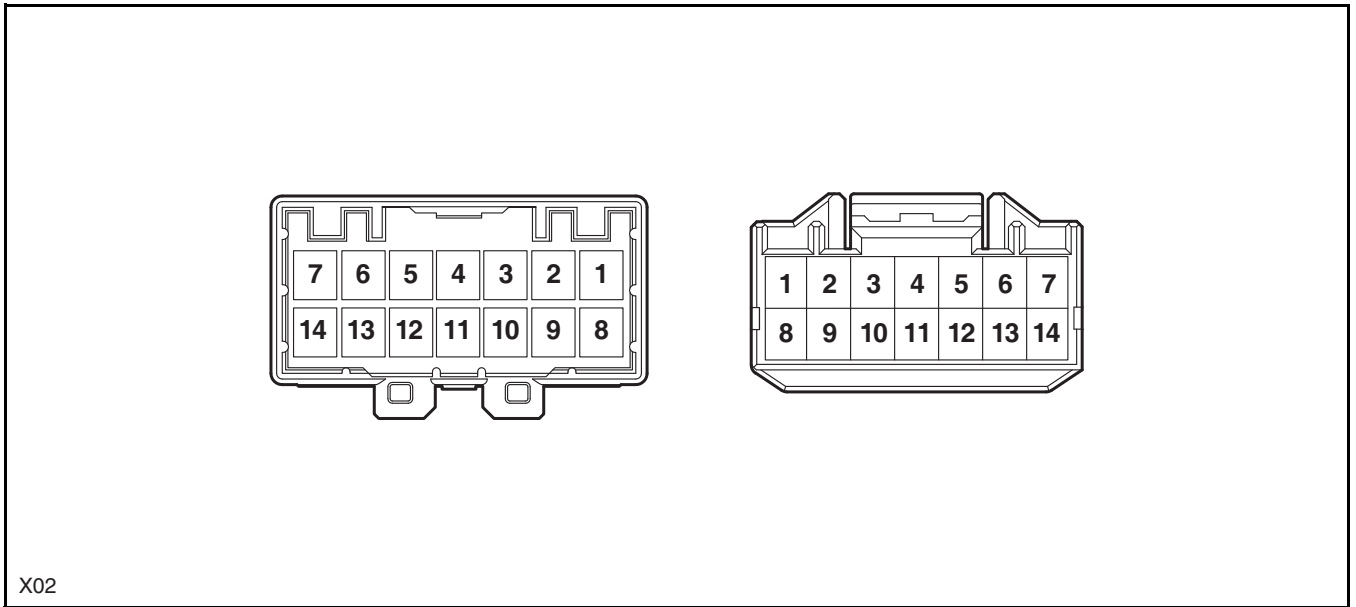
Instrument Panel Fuse Box



P01

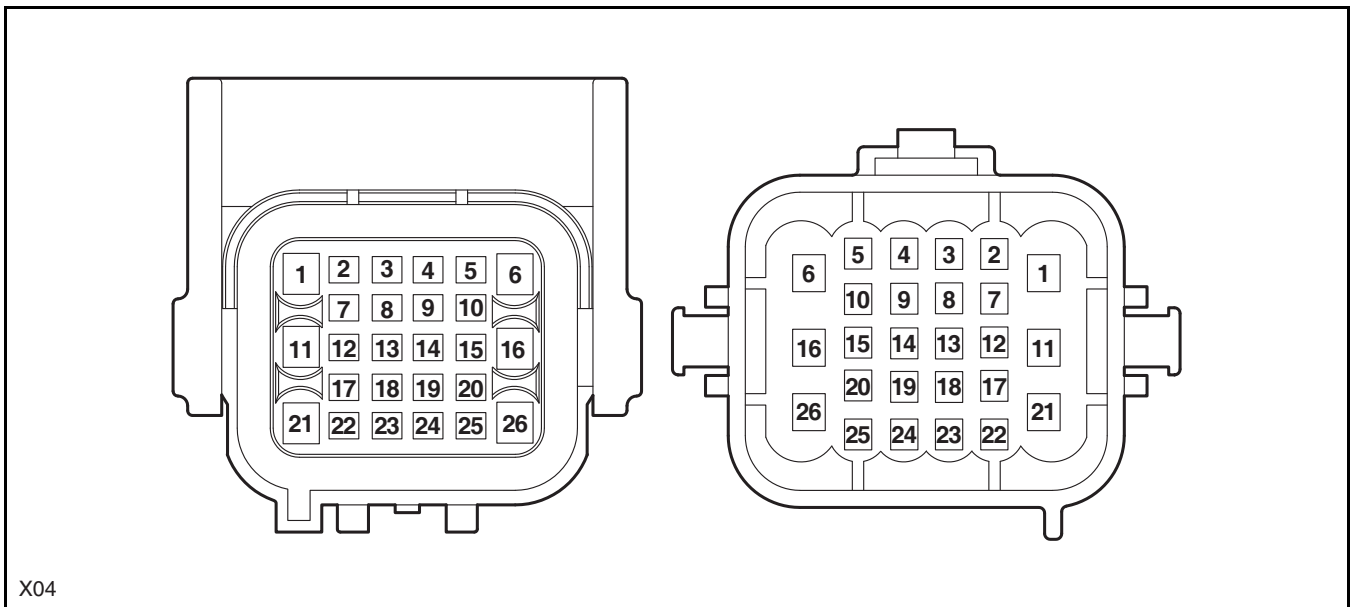
Engine Compartment Wiring Harness to Engine Wiring Harness (2)

Engine Wiring Harness (2) to Engine Compartment Wiring Harness



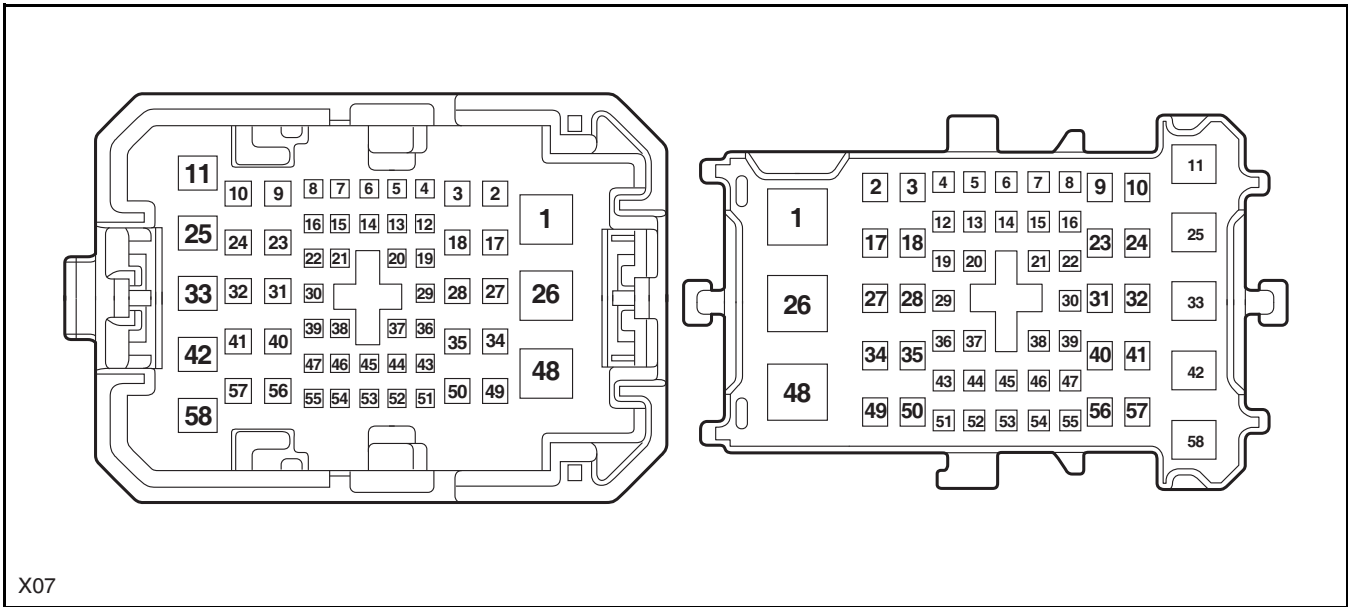
Engine Compartment Wiring Harness to Front End Module Wiring Harness

Front End Module Wiring Harness to Engine Compartment Wiring Harness



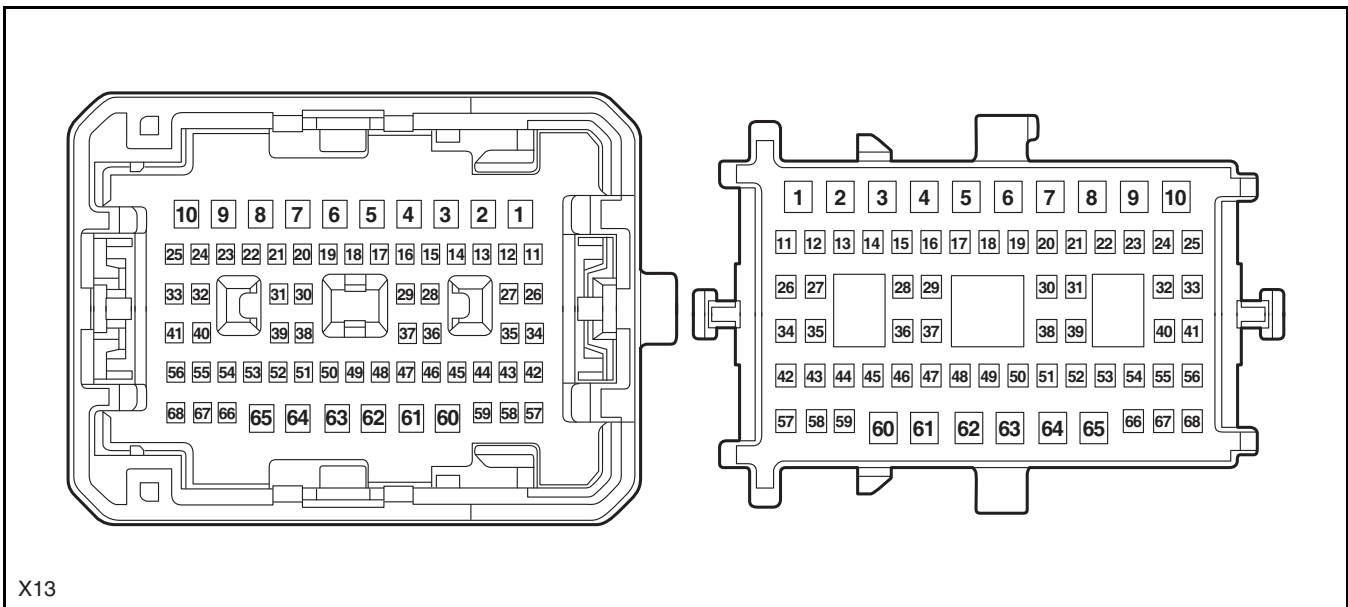
Engine Compartment Wiring Harness to Instrument Panel Wiring Harness (Left 1)

Instrument Panel Wiring Harness (Left 1) to Engine Compartment Wiring Harness

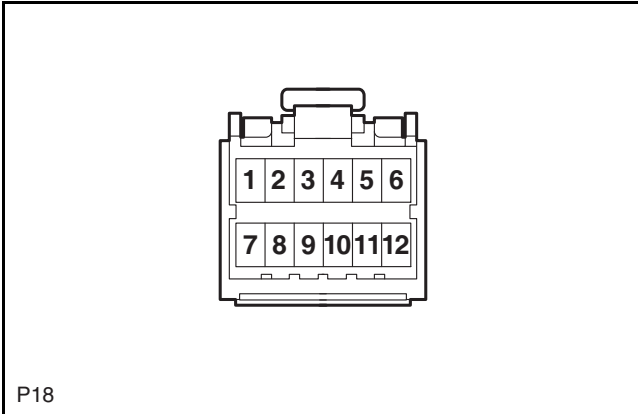


Chassis Wiring Harness to Instrument Panel Wiring Harness (Left 1)

Instrument Panel Wiring Harness (Left 1) to Chassis Wiring Harness

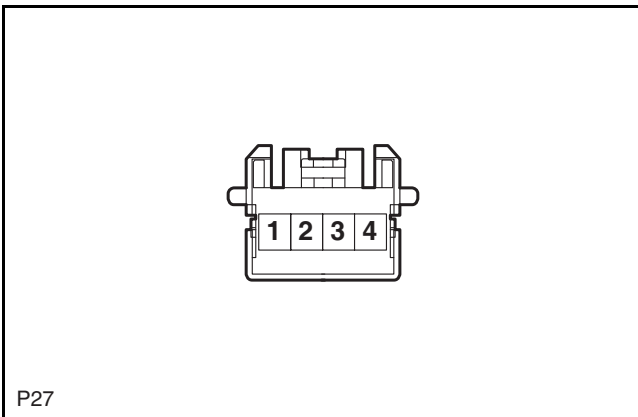


Center Control Panel (Automatic)



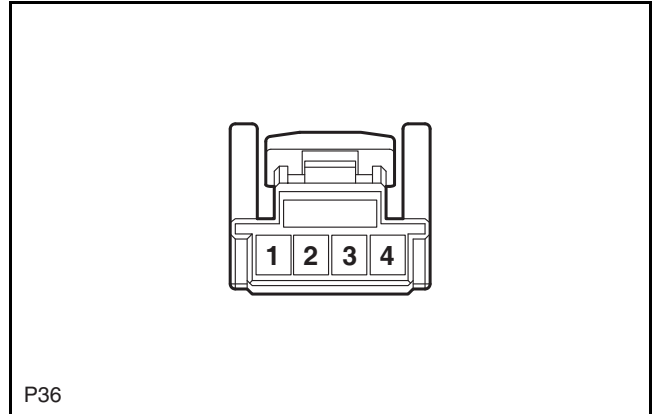
P18

Emergency Alarm Switch



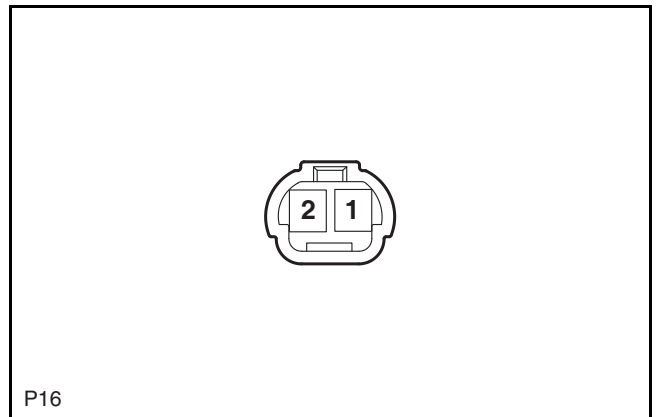
P27

Ion Generator



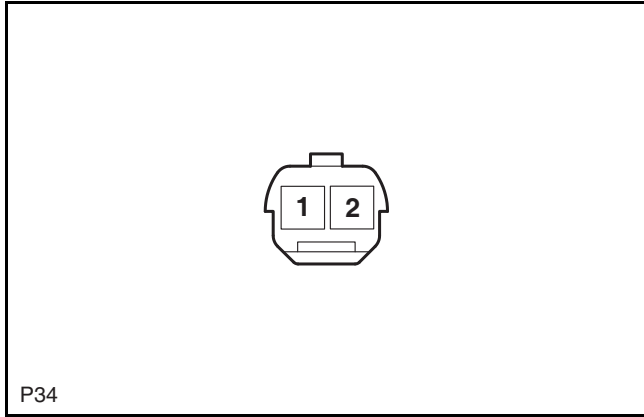
P36

Room Temperature Sensor

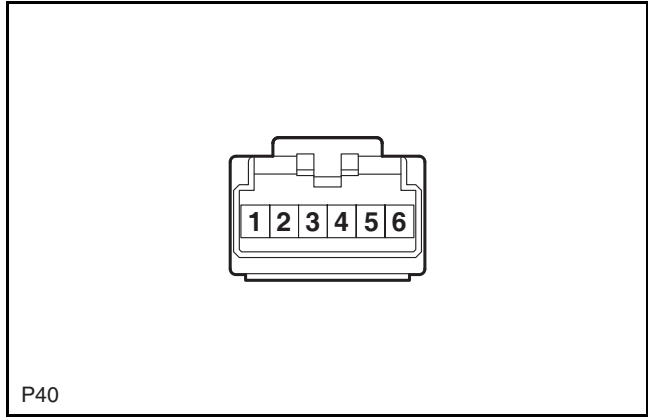


P16

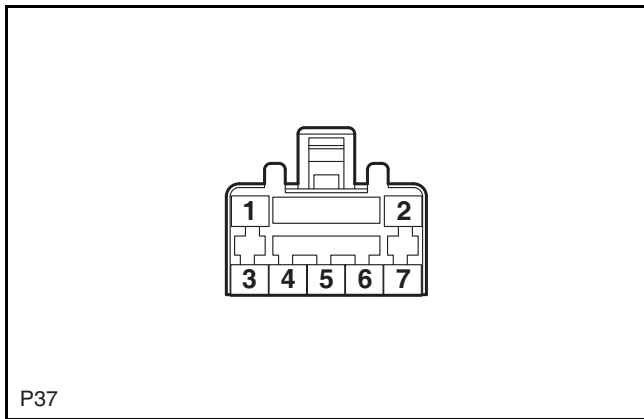
Evaporator Temperature Sensor



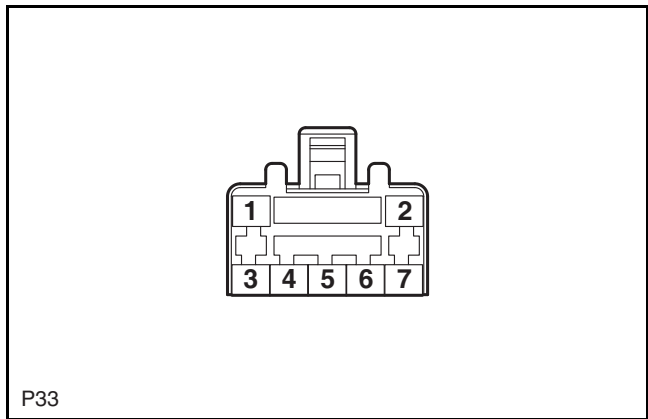
Ambient Light Sensor/Sunlight Sensor



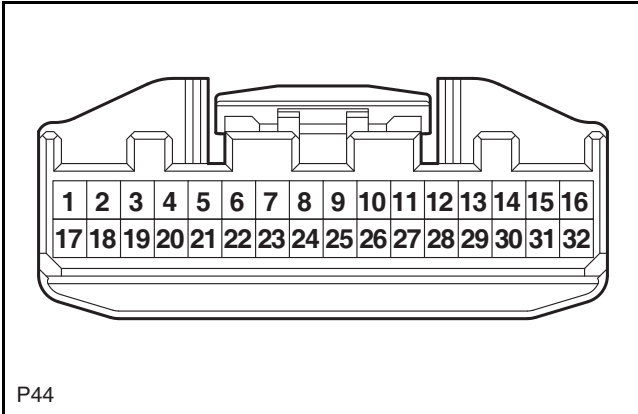
Right Mix Damper Actuator



Mode Damper Actuator

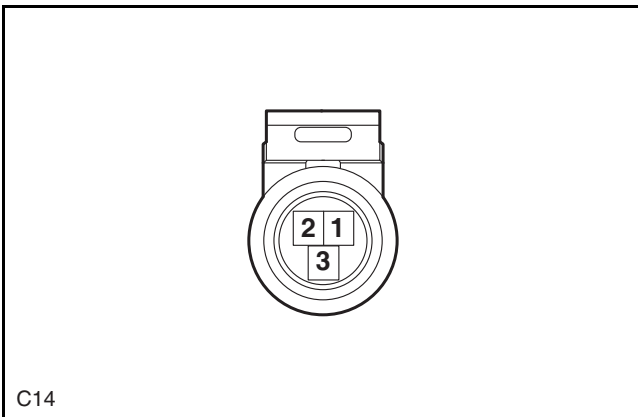


BDC-J1



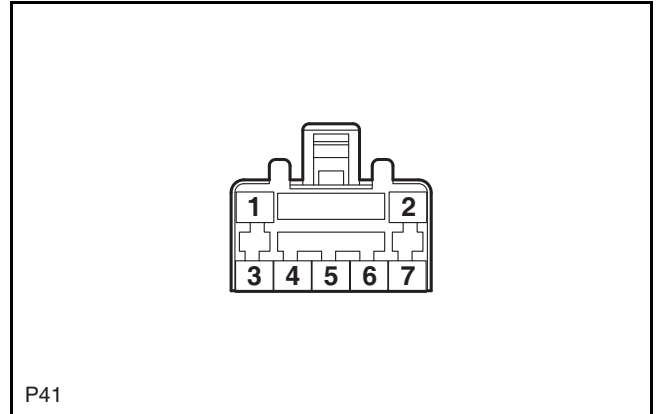
P44

A/C Pipe Pressure Sensor



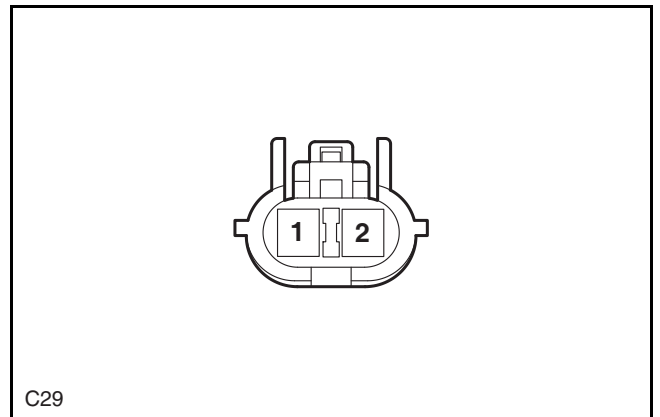
C14

Inner and Outer Recirculation Damper Actuator



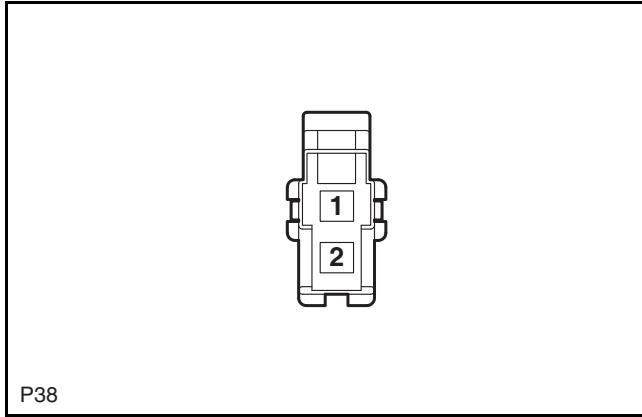
P41

Outside Temperature Sensor

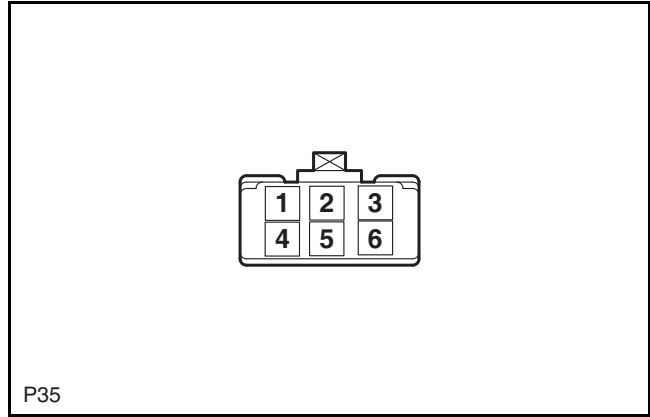


C29

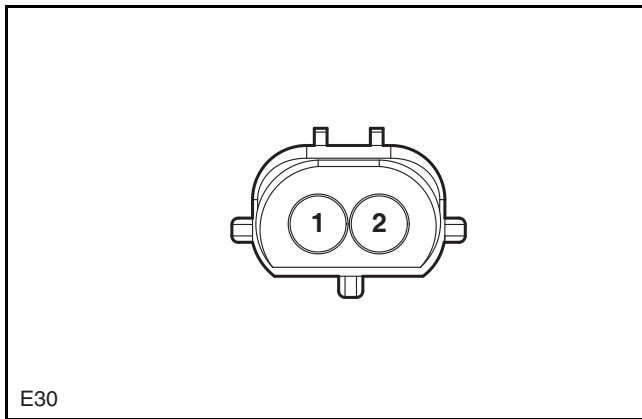
Blower



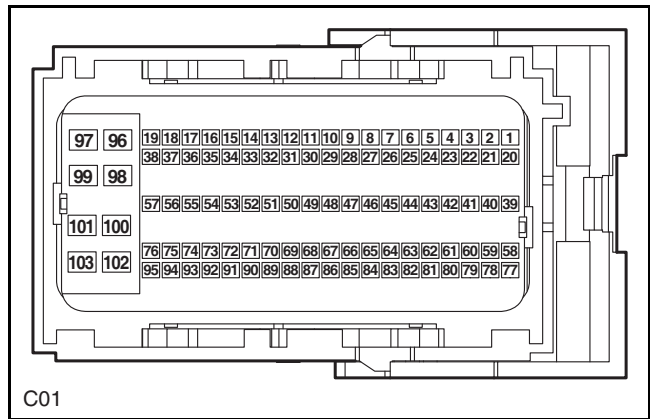
Speed Regulation Module



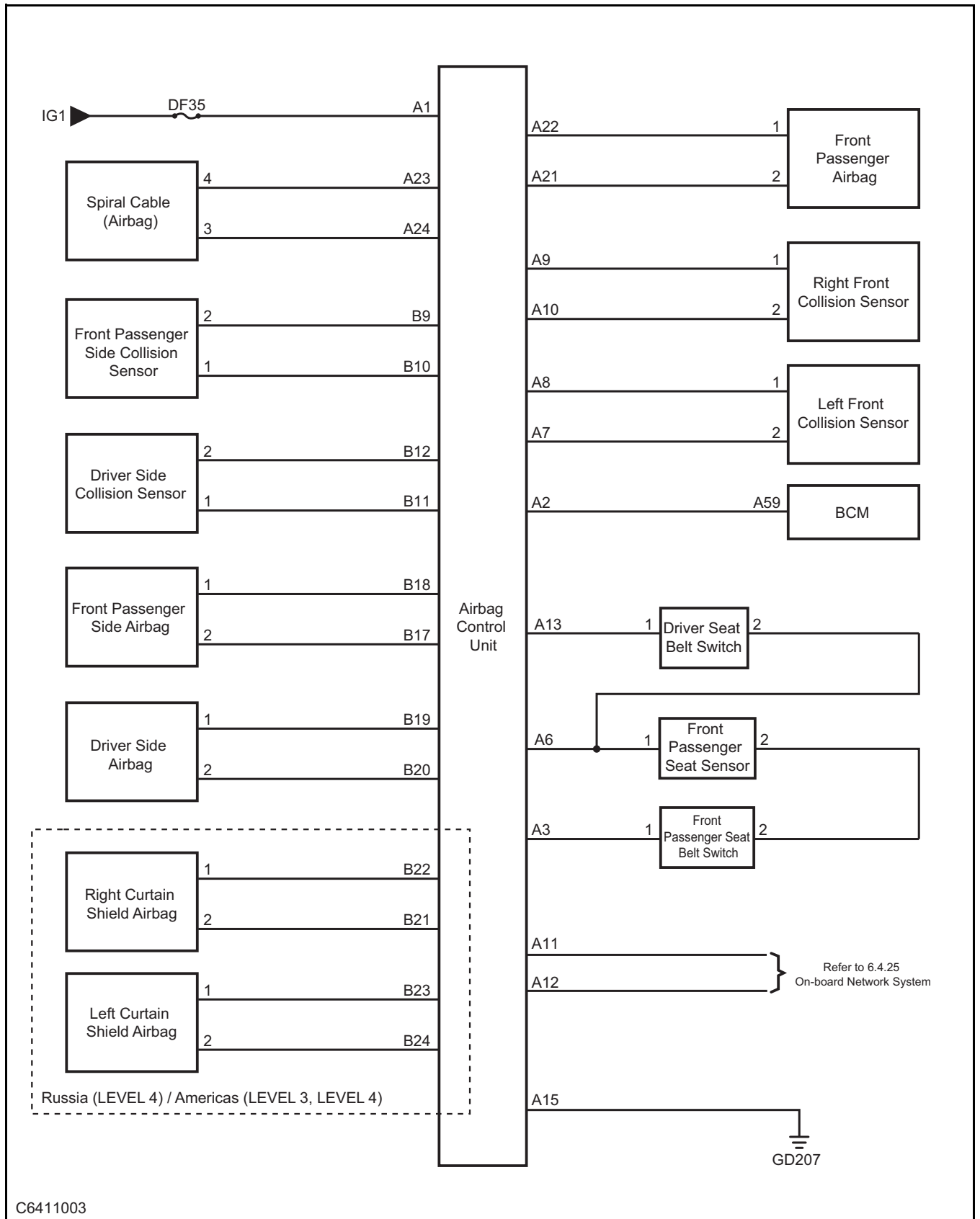
Compressor



ECU-2

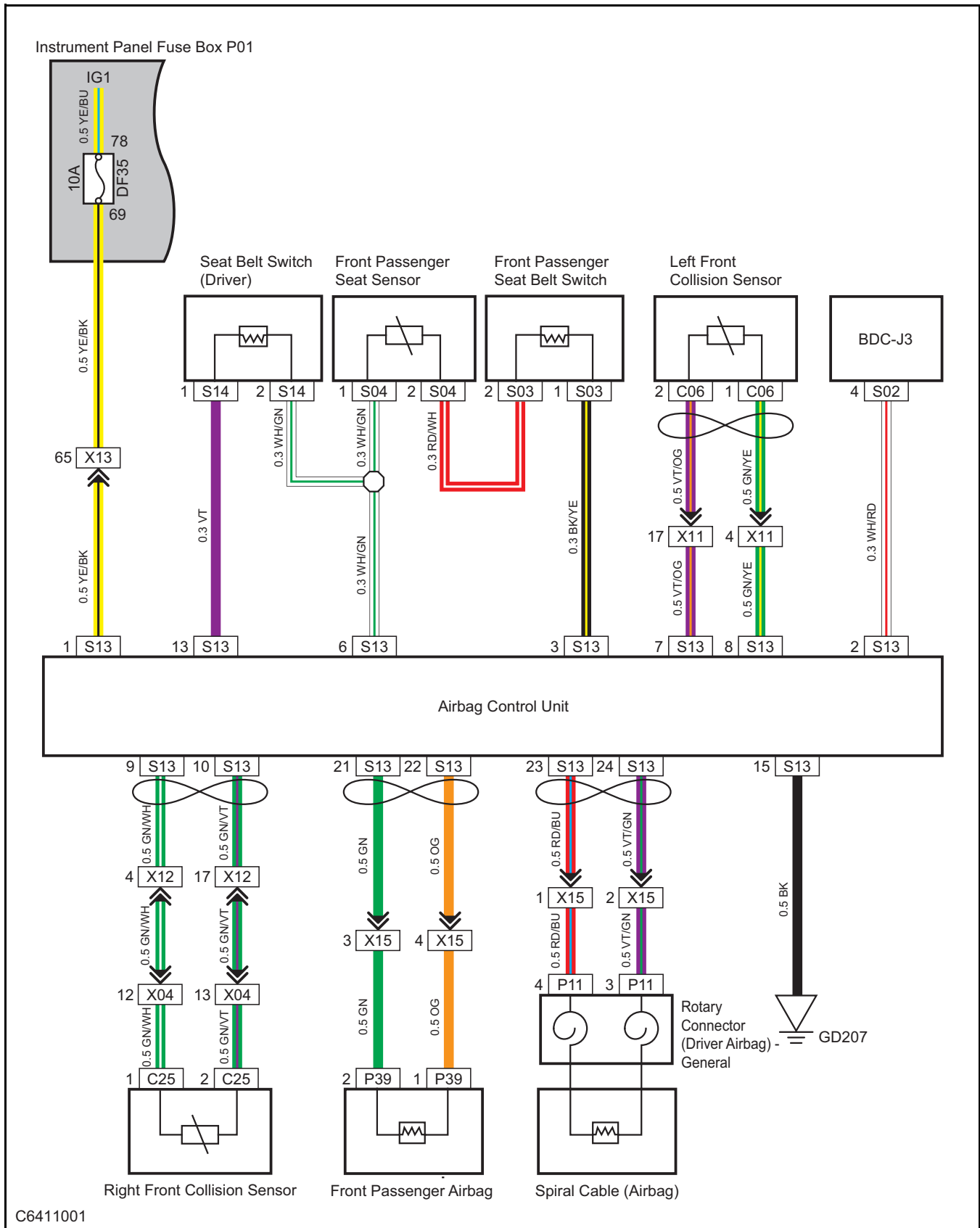


Airbag Restraint System



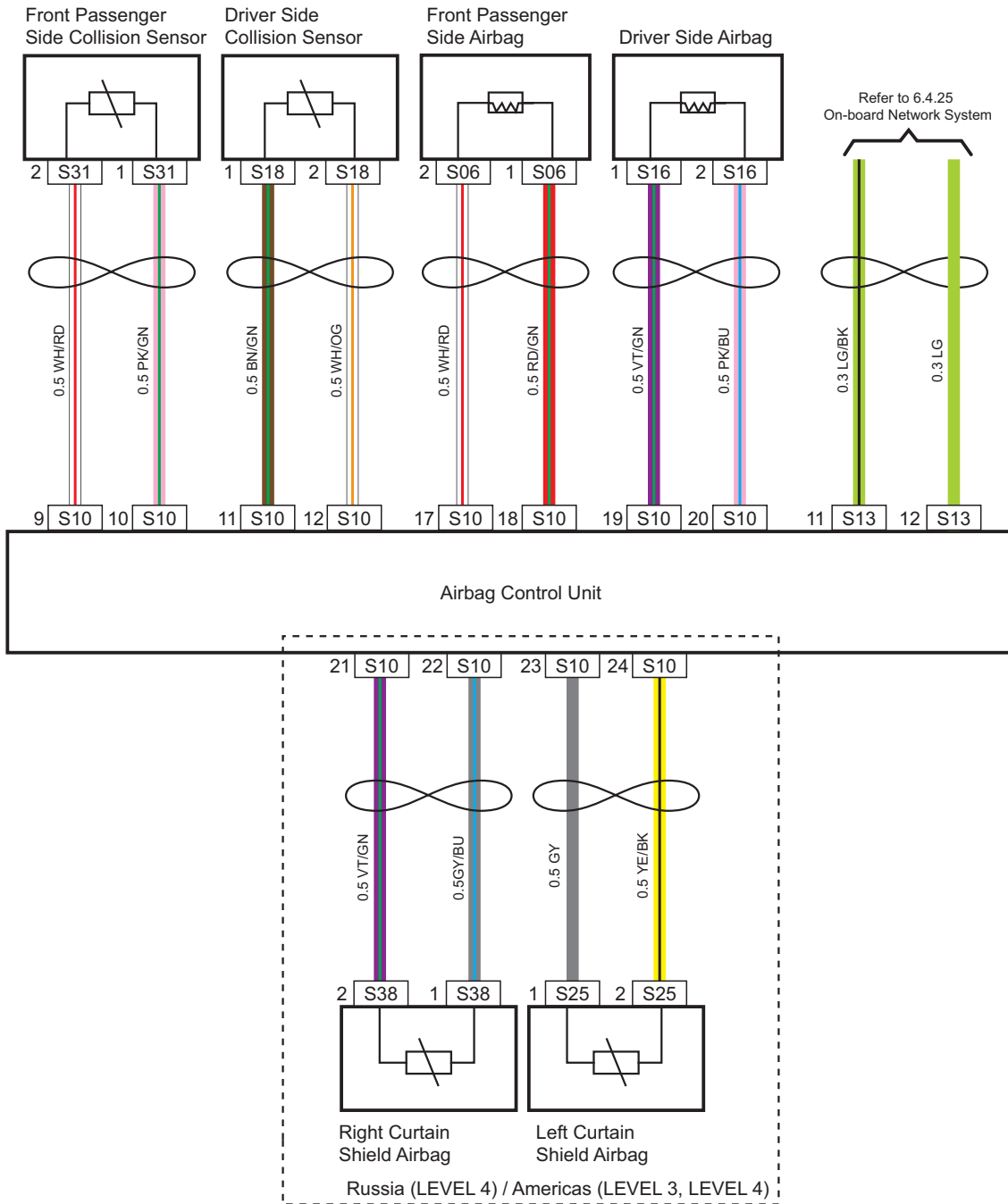
C6411003

Power Supply/Seat Sensor/Seat Belt Switch/Frontal Collision Sensor/Driver/ Front Passenger Airbag



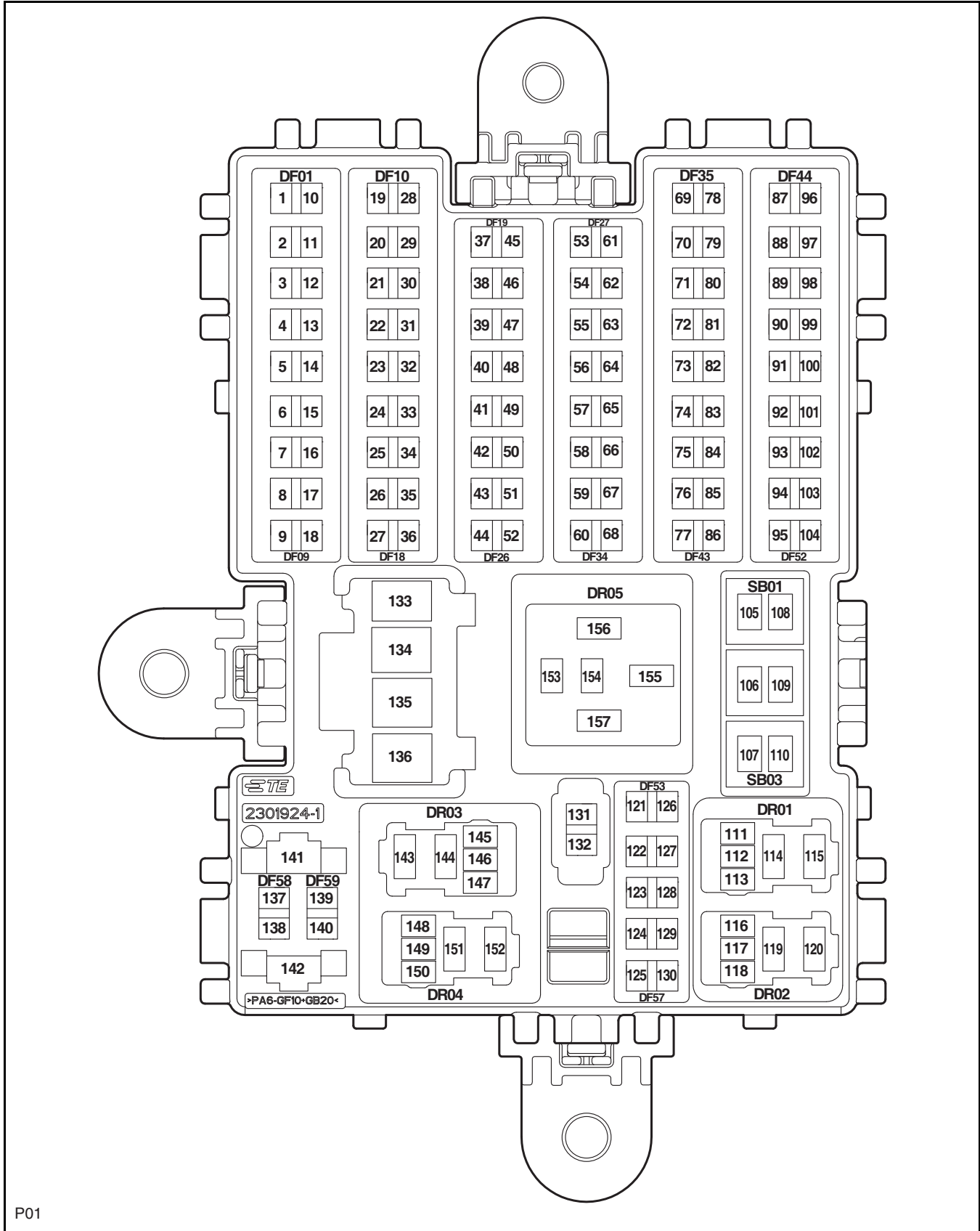
C6411001

Side Collision Sensor/Driver/Front Passenger Airbag/Air Curtain



C6411002

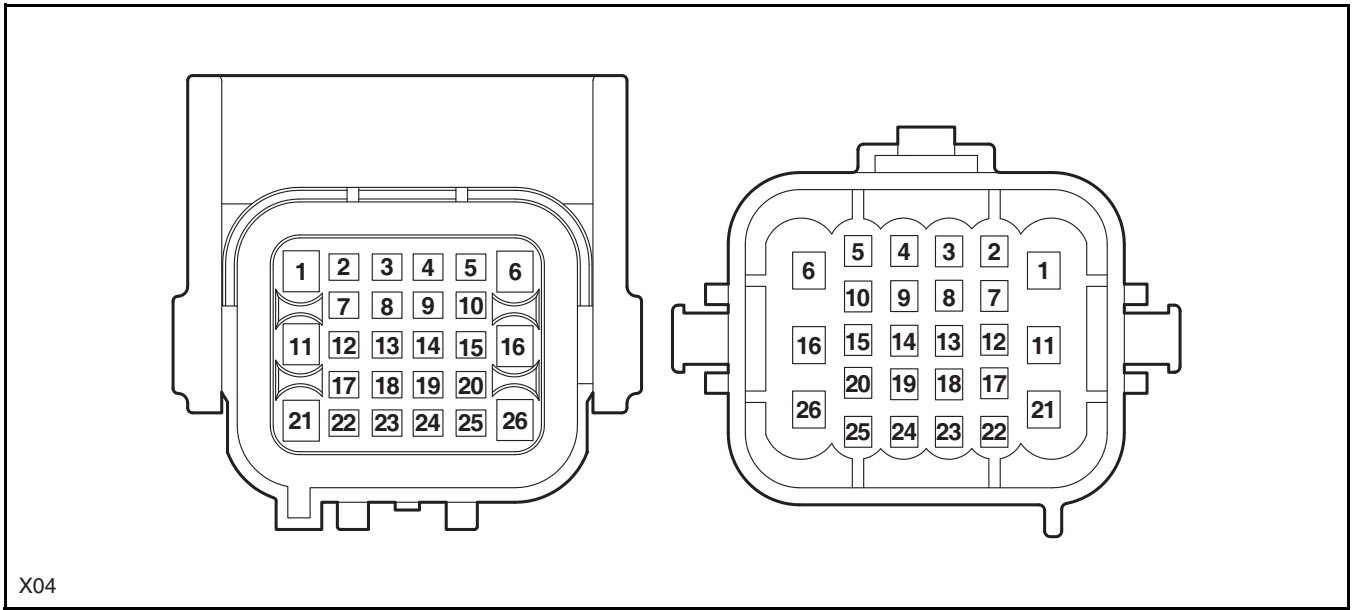
Instrument Panel Fuse Box



P01

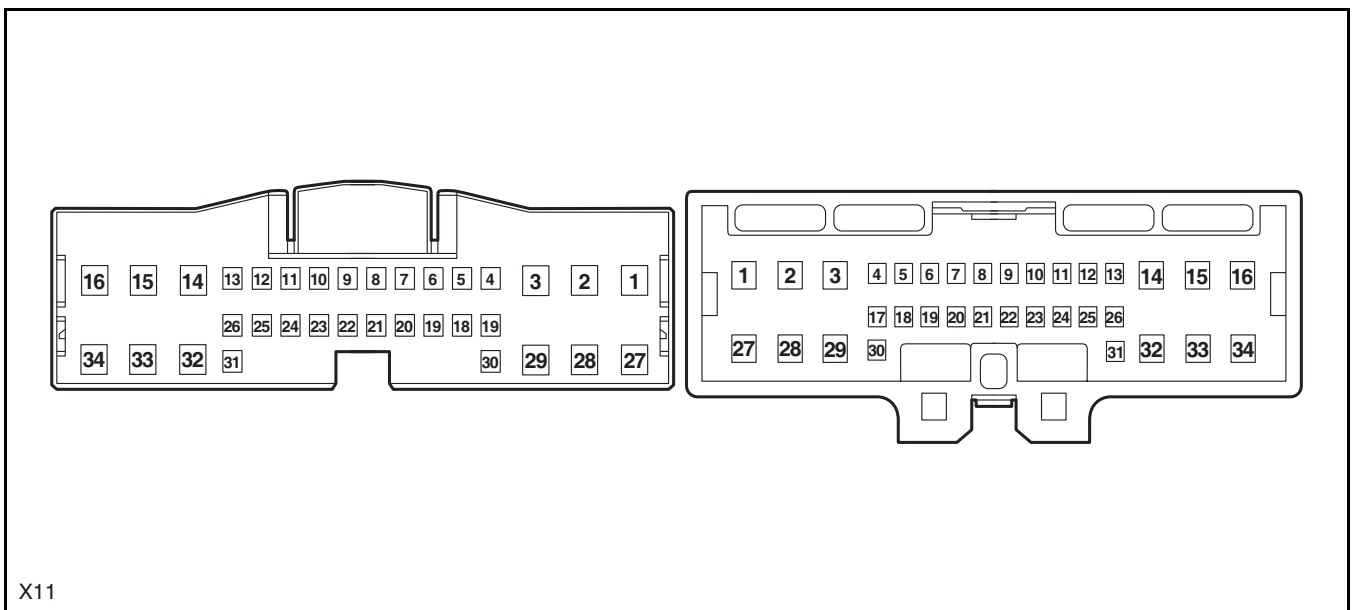
Engine Compartment Wiring Harness to Front End Module Wiring Harness

Front End Module Wiring Harness to Engine Compartment Wiring Harness



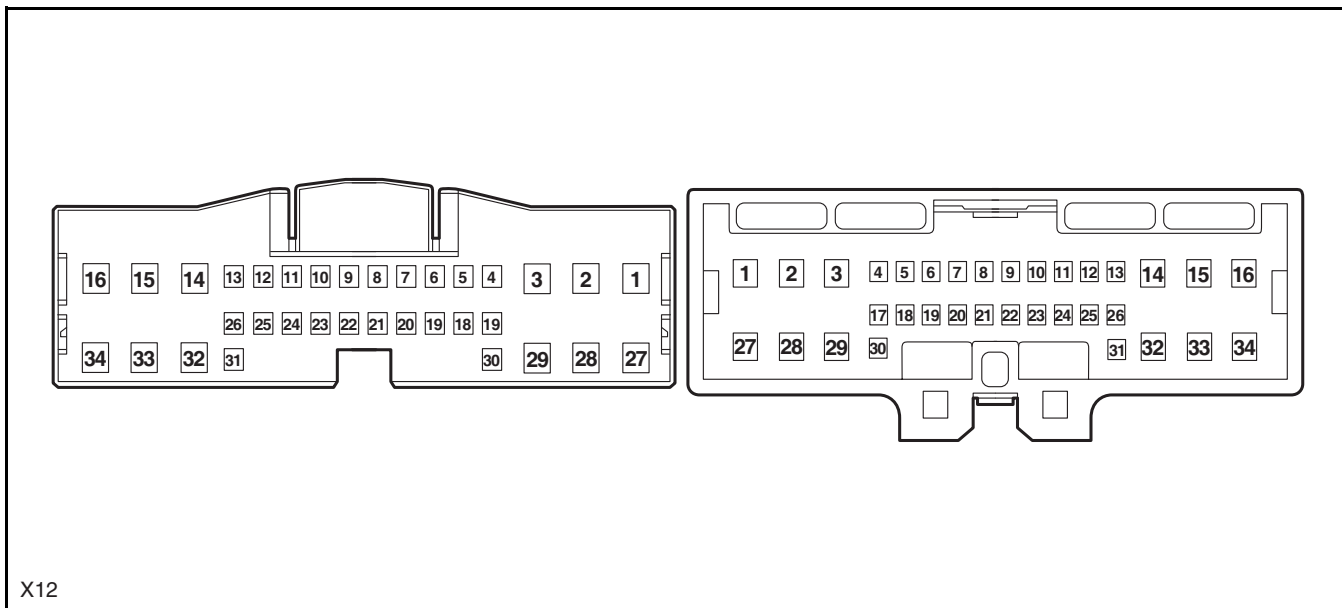
Engine Compartment Wiring Harness to Chassis Wiring Harness (Left 1)

Chassis Wiring Harness (Left 1) to Engine Compartment Wiring Harness



Engine Compartment Wiring Harness to Chassis Wiring Harness (Right 1)

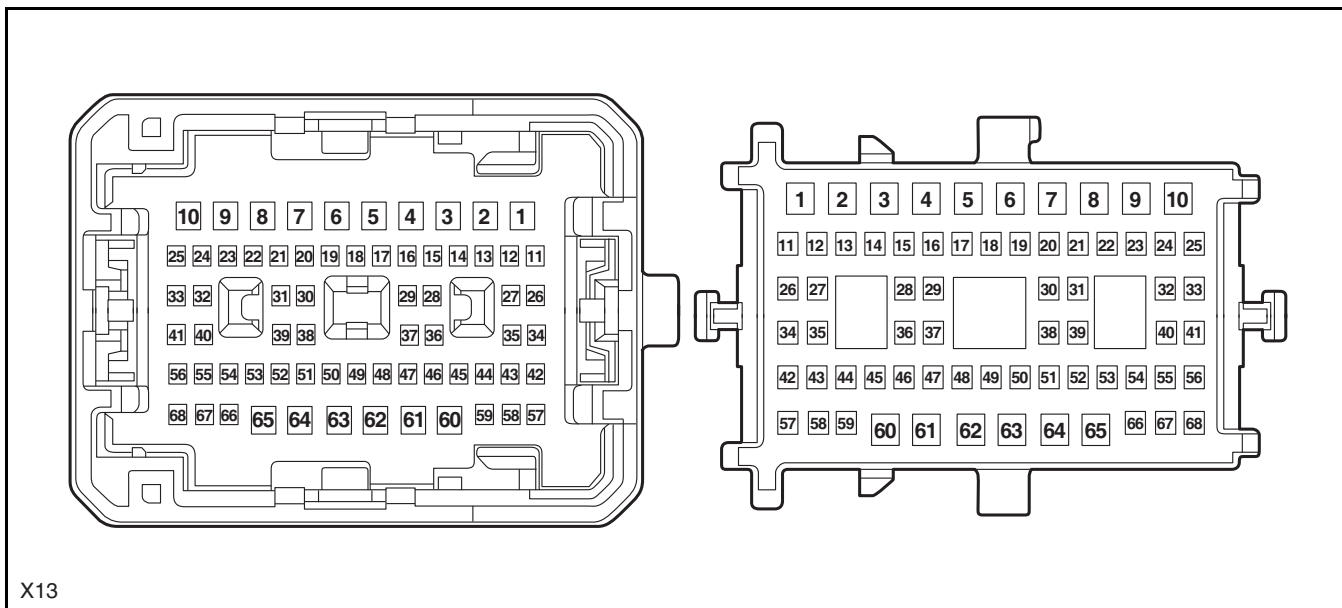
Chassis Wiring Harness (Right 1) to Engine Compartment Wiring Harness



X12

Chassis Wiring Harness to Instrument Panel Wiring Harness (Left 1)

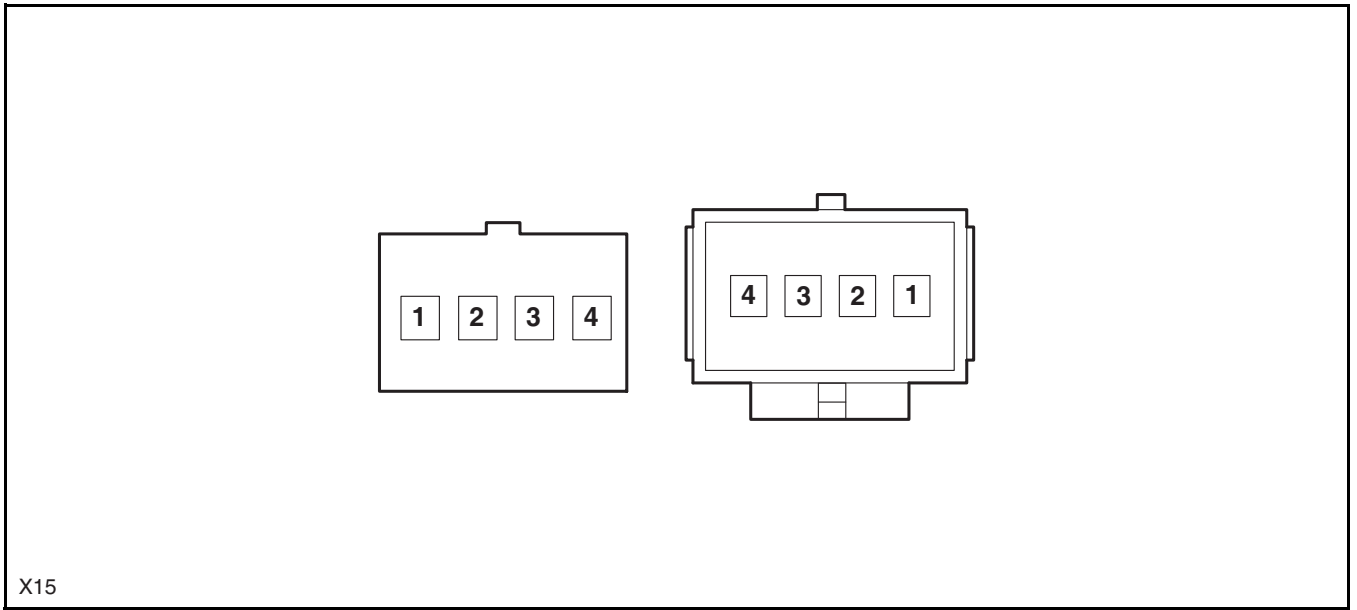
Instrument Panel Wiring Harness (Left 1) to Chassis Wiring Harness



X13

Chassis Wiring Harness to Instrument Panel Wiring Harness (Middle 2)

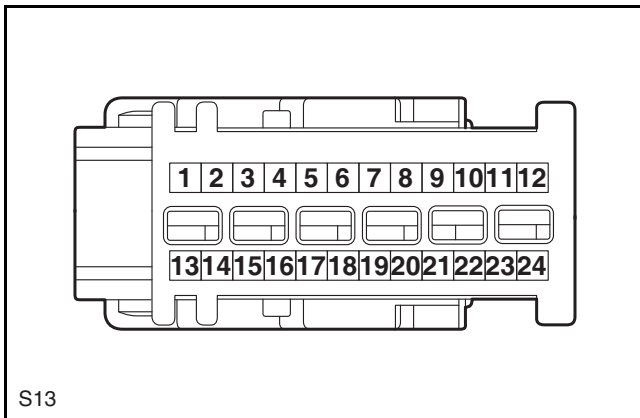
Instrument Panel Wiring Harness (Middle 2) to Chassis Wiring Harness



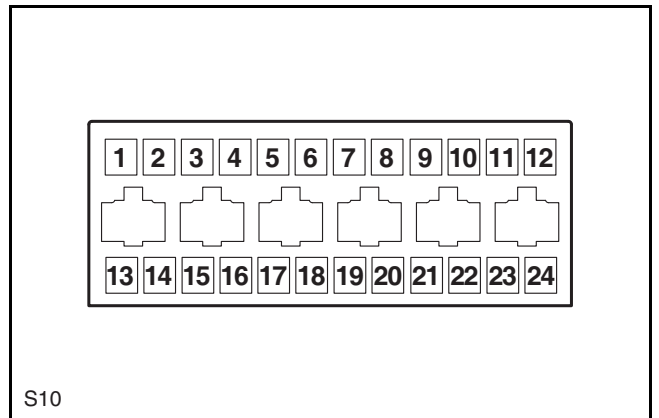
X15

Airbag Control Unit A

Airbag Control Unit B

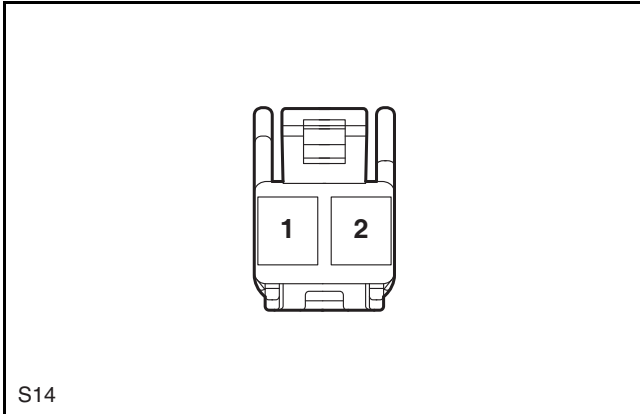


S13

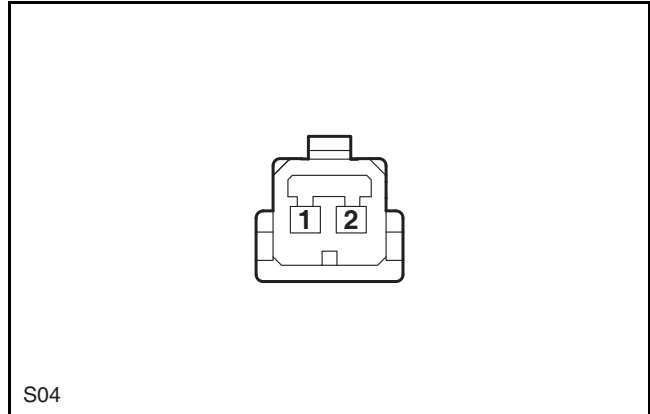


S10

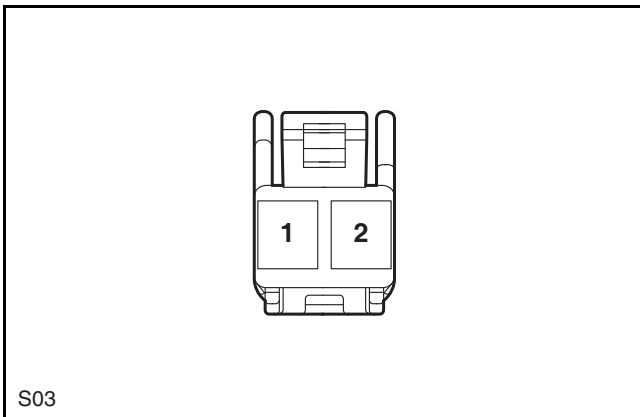
Seat Belt Switch (Driver)



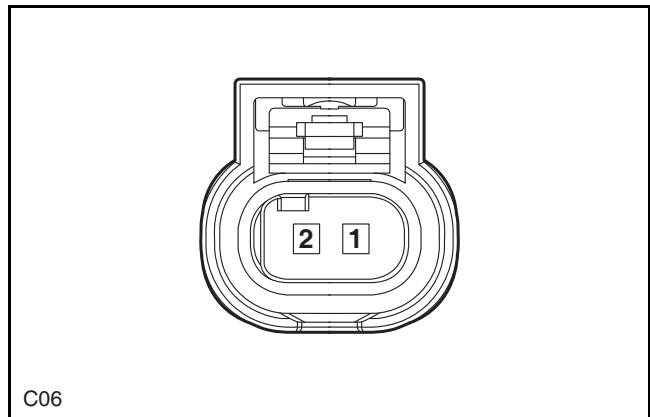
Front Passenger Seat Sensor



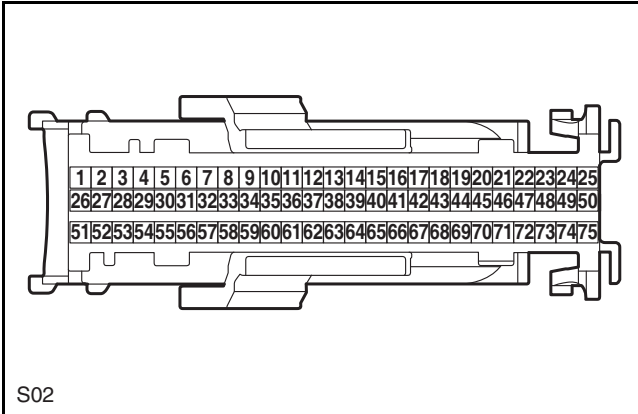
Front Passenger Seat Belt Switch



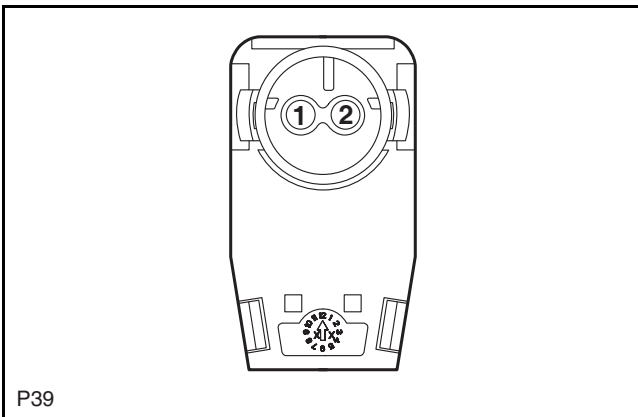
Left Front Collision Sensor



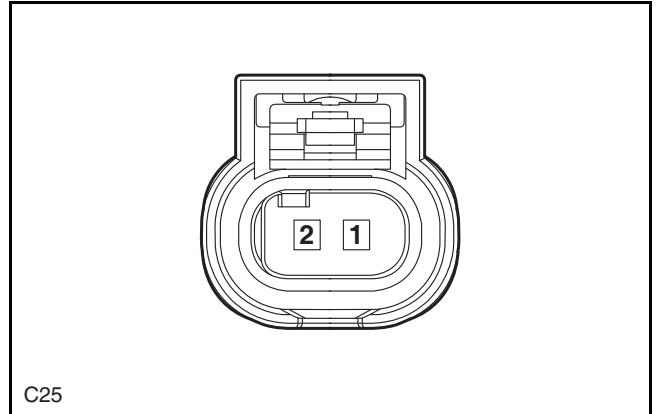
BDC-J3 (Chassis)



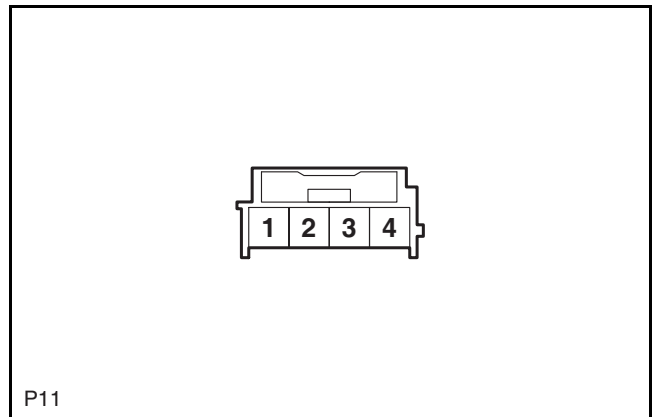
Front Passenger Airbag



Right Front Collision Sensor

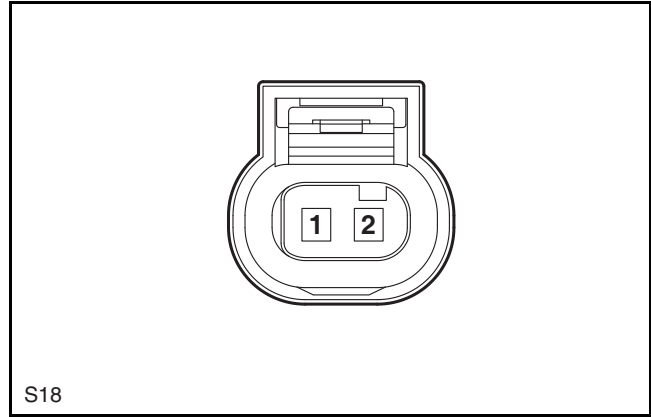
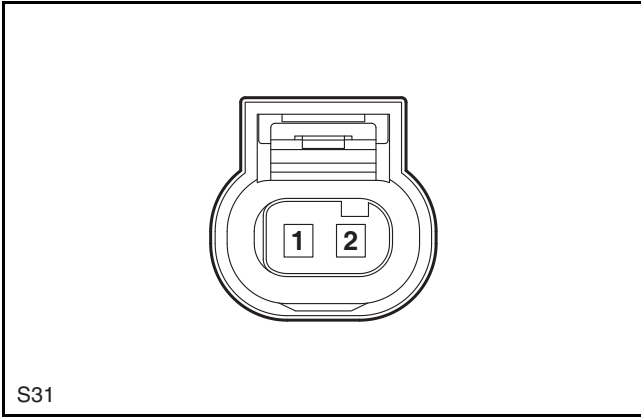


Rotary Connector (Main Airbag) -General



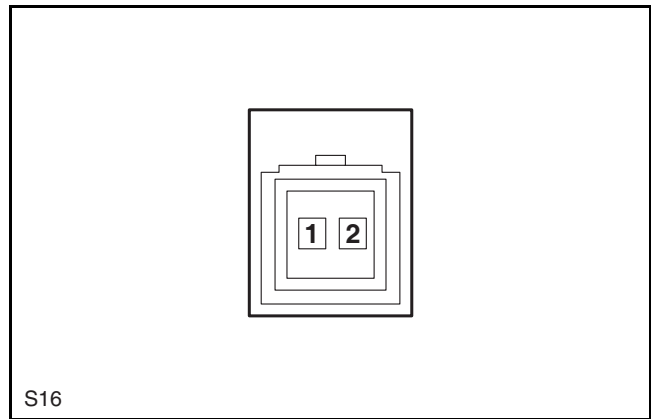
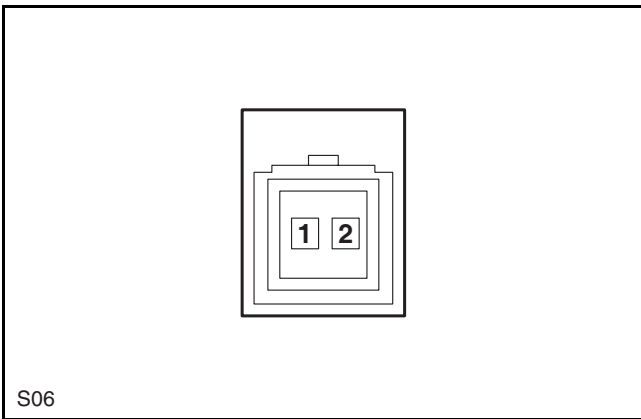
Front Passenger Side Collision Sensor

Driver Side Collision Sensor

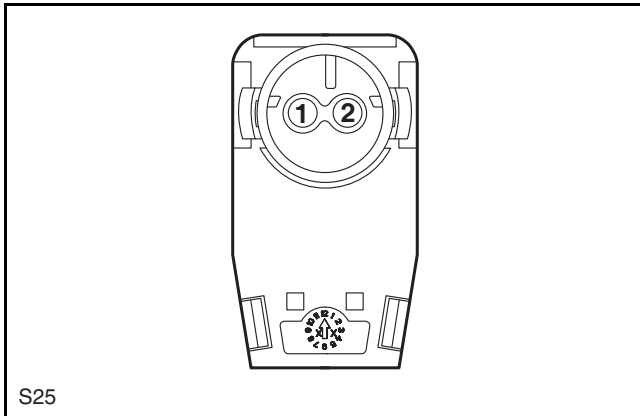


Front Passenger Side Airbag

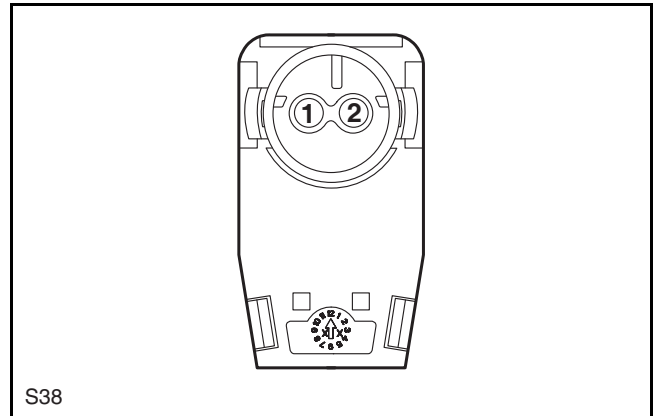
Driver Side Airbag



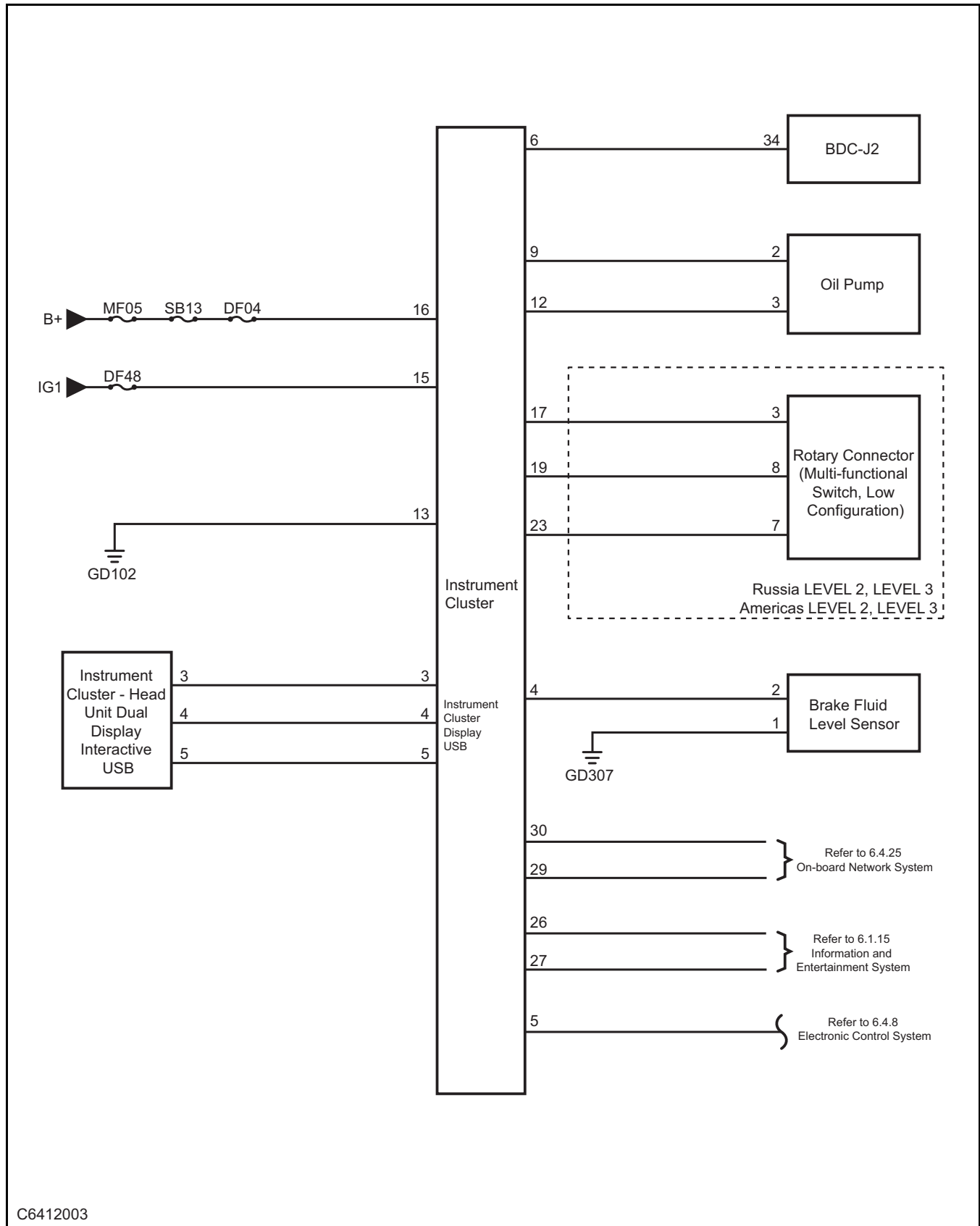
Left Curtain Shield Airbag



Right Curtain Shield Airbag

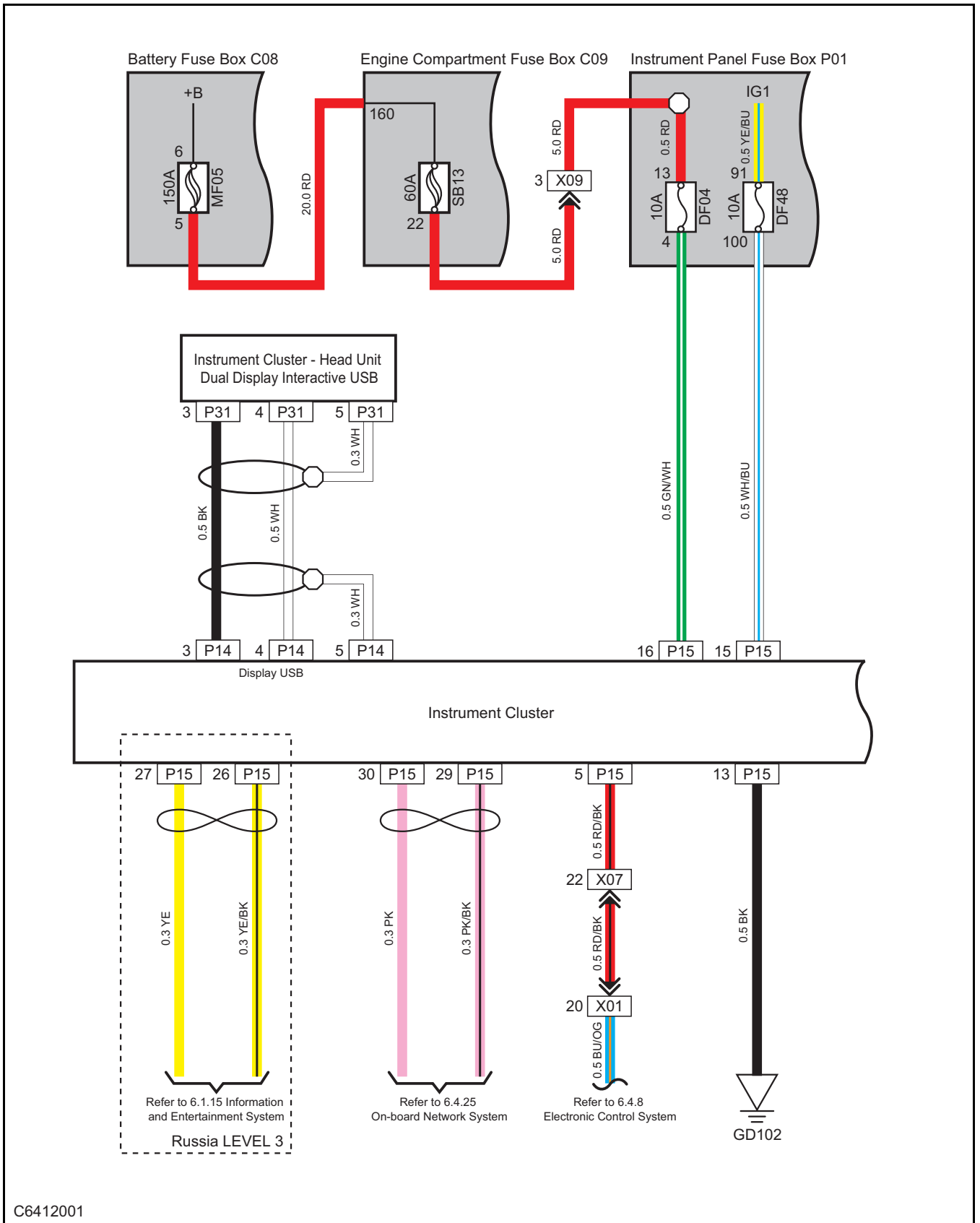


Instrument Cluster



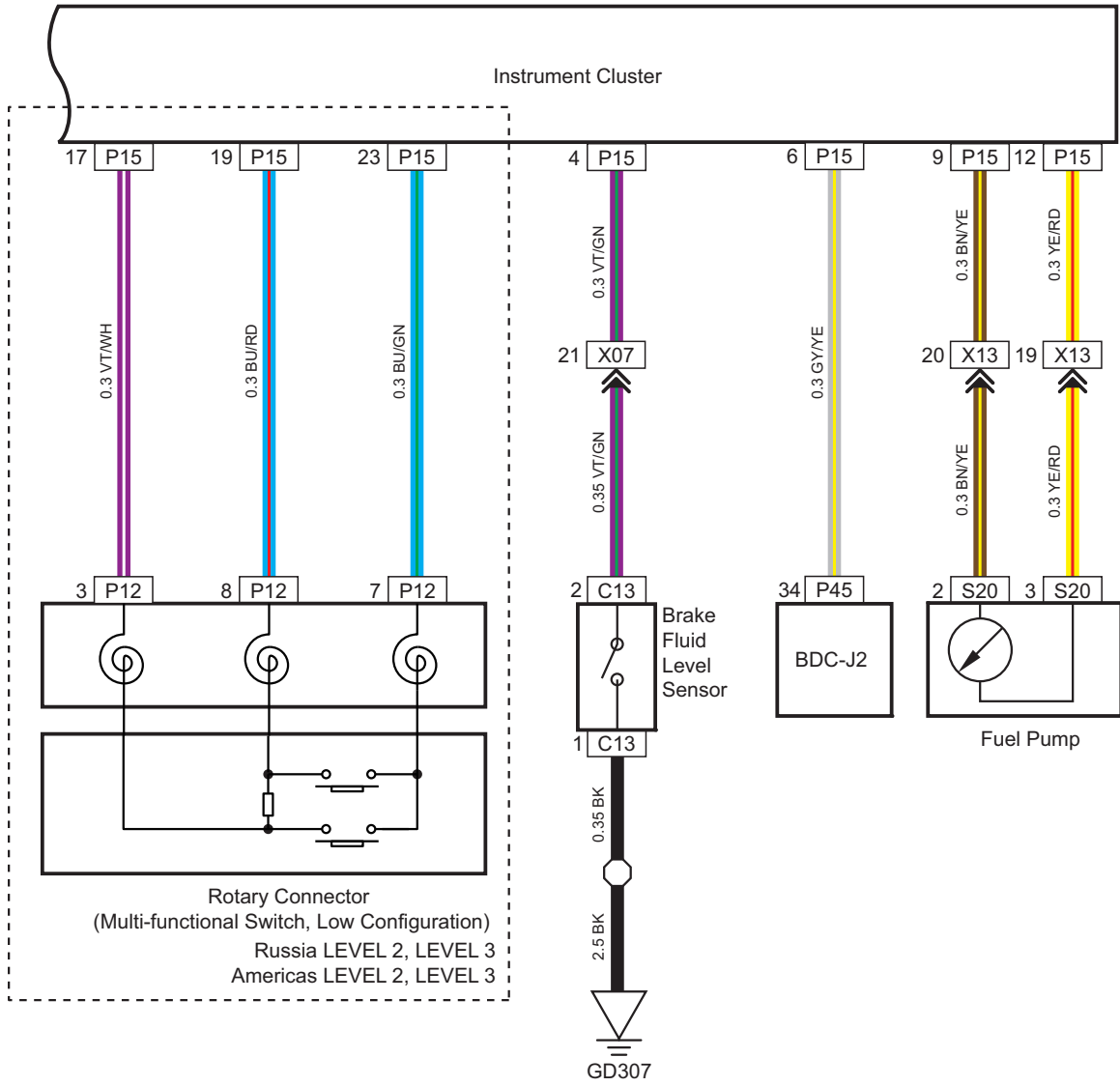
C6412003

Power Supply/Display USB



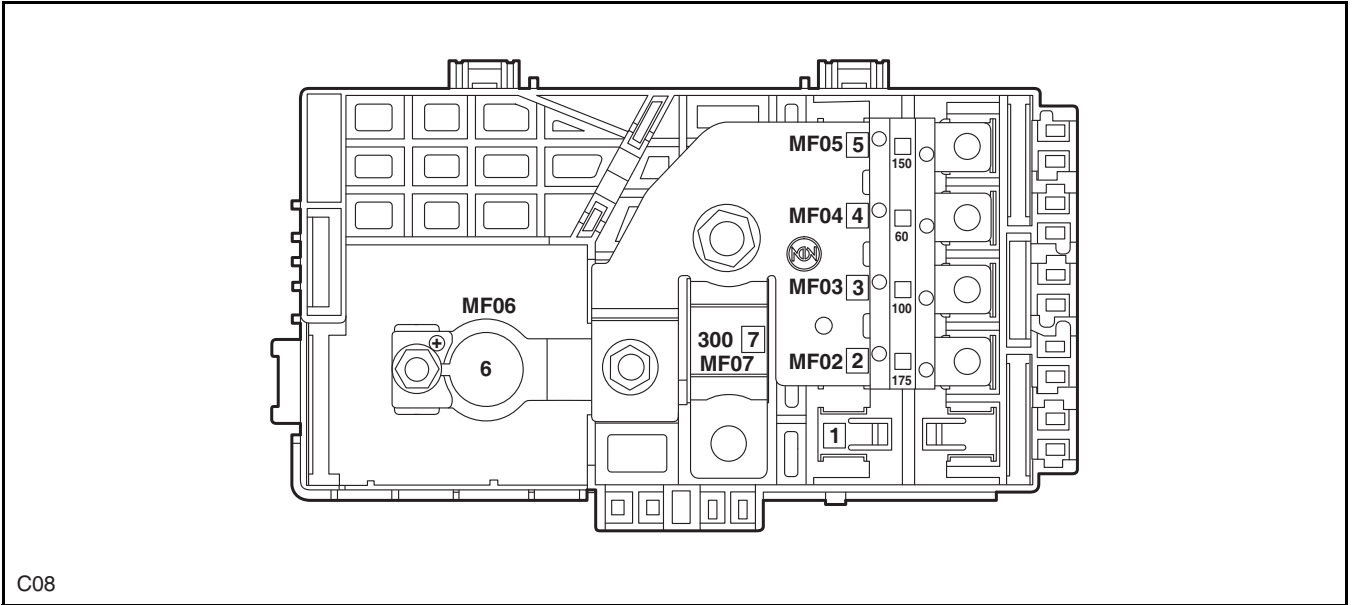
C6412001

Rotary Connector (Multi-functional Switch Low Configuration)/Brake Fluid Level Sensor/Fuel Level Sensor



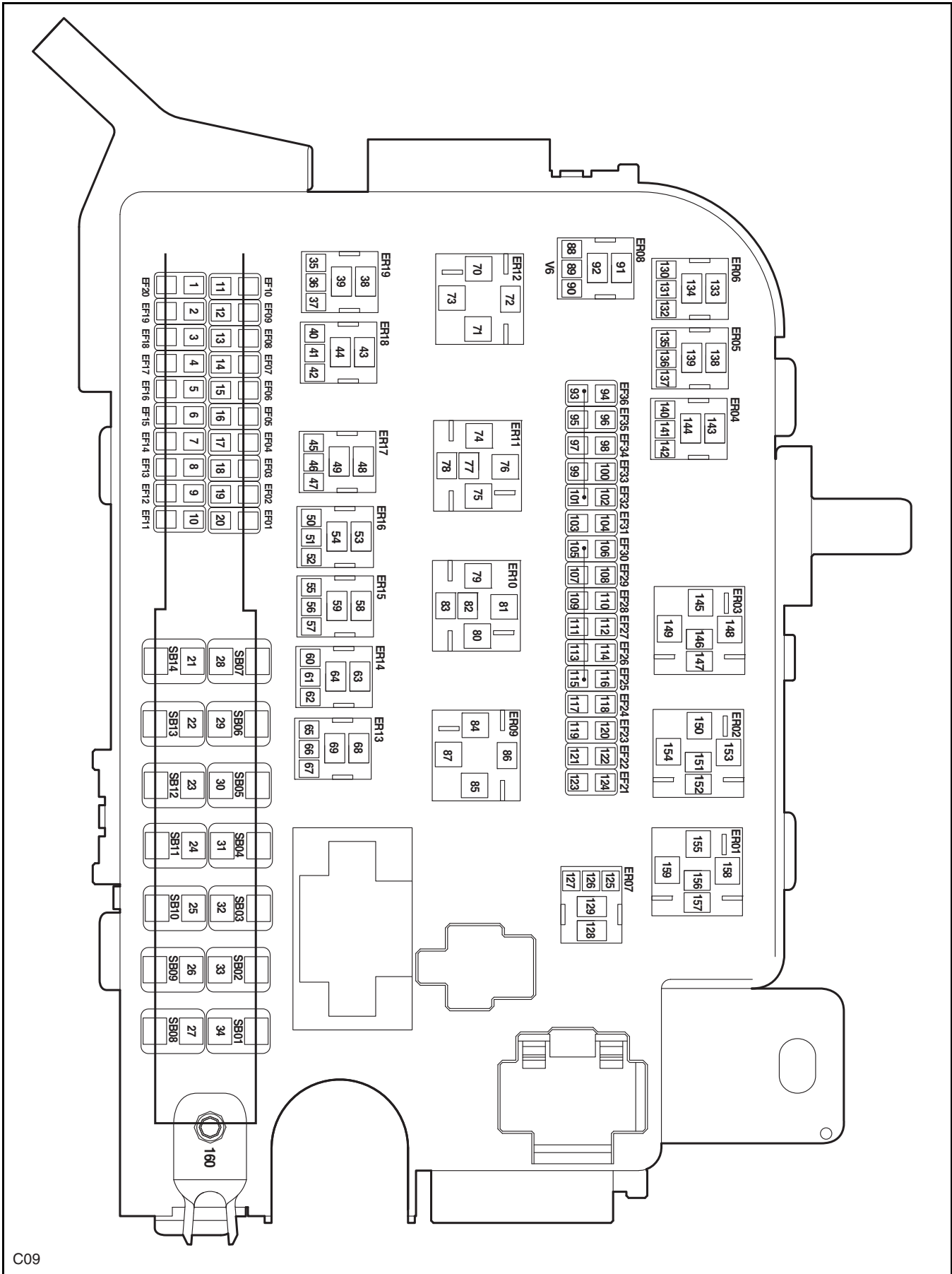
C6412002

Battery Fuse Box



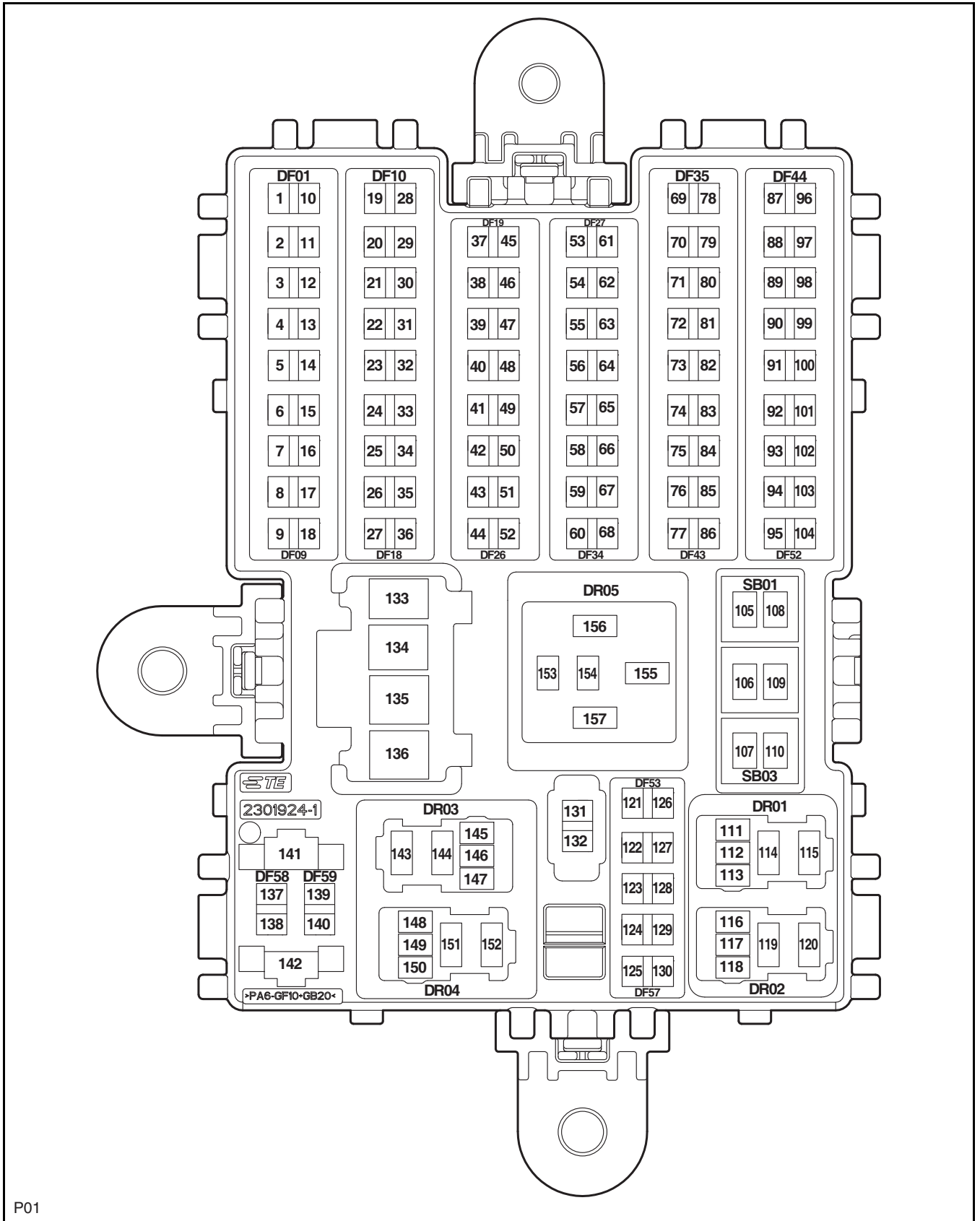
C08

Engine Compartment Fuse Box



C09

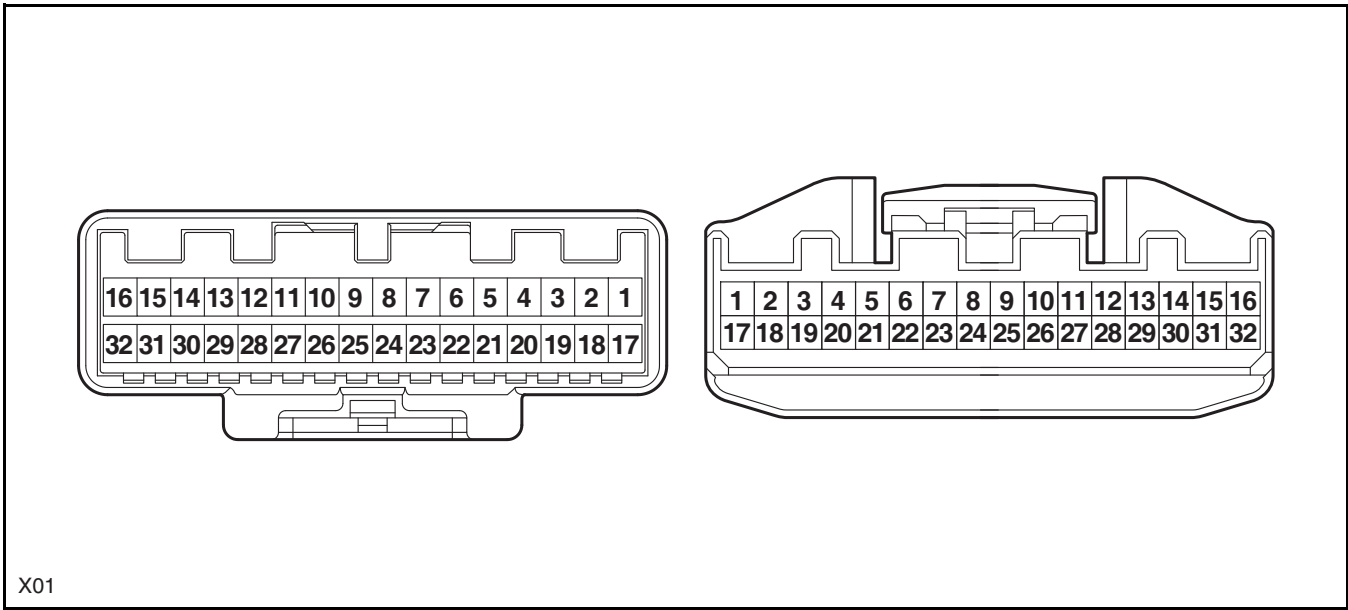
Instrument Panel Fuse Box



P01

Engine Compartment Wiring Harness to Engine Wiring Harness (1)

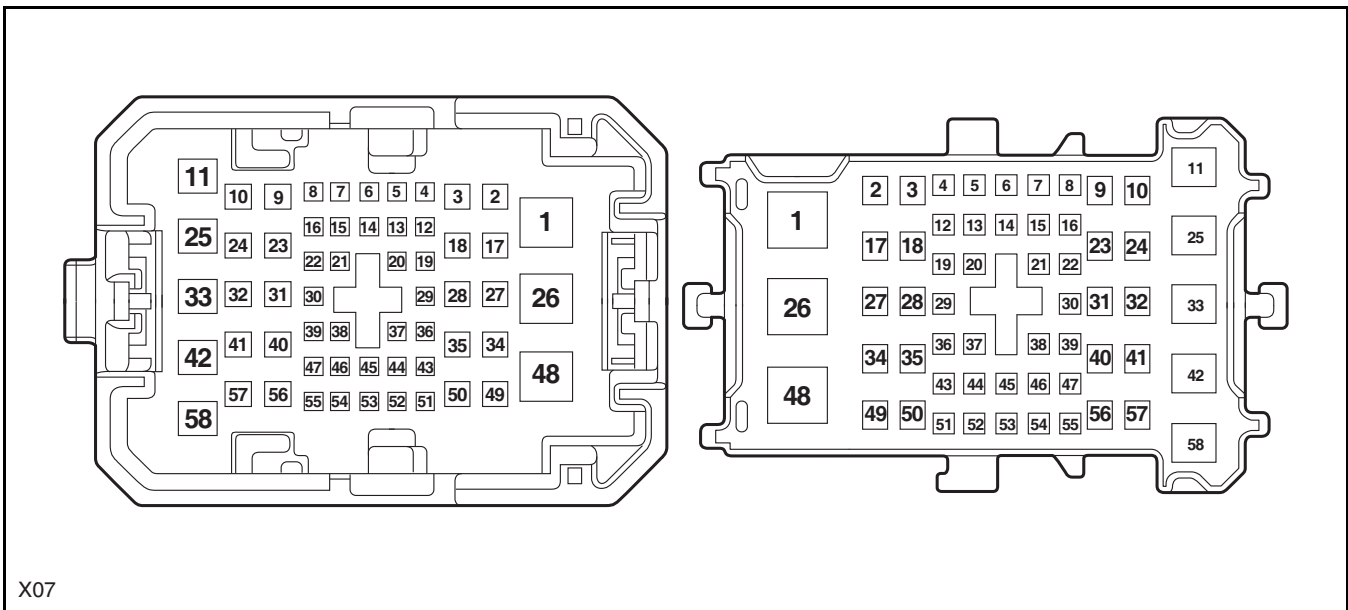
Engine Wiring Harness (1) to Engine Compartment Wiring Harness



X01

Engine Compartment Wiring Harness to Instrument Panel Wiring Harness (Left 1)

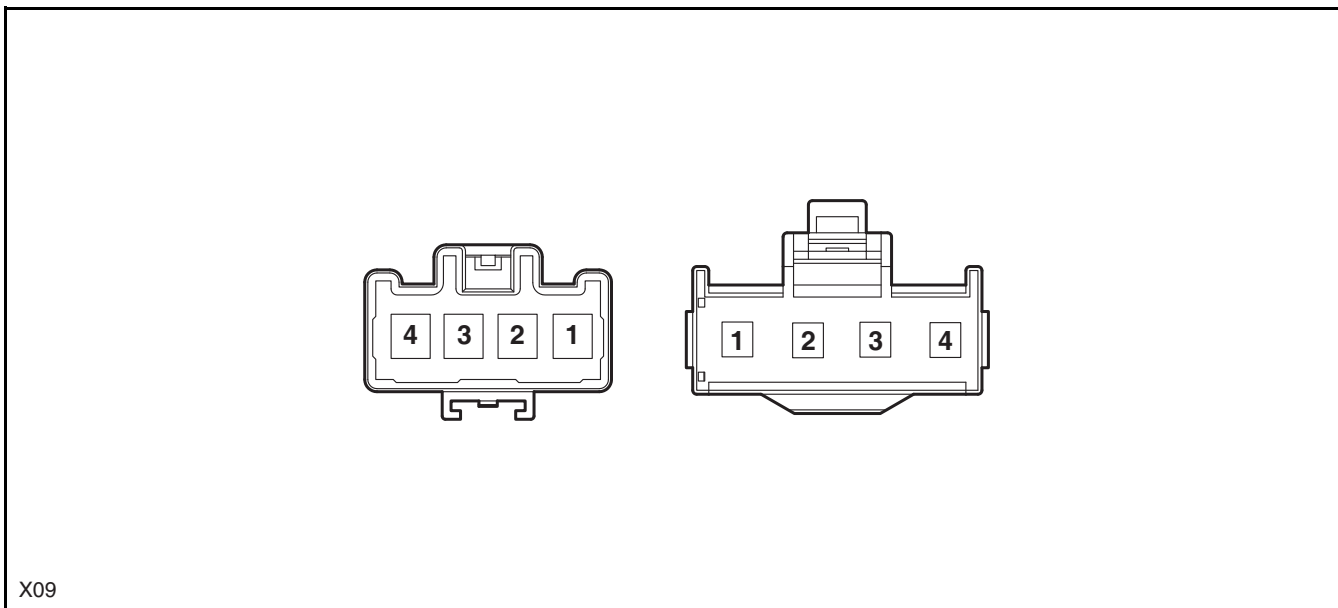
Instrument Panel Wiring Harness (Left 1) to Engine Compartment Wiring Harness



X07

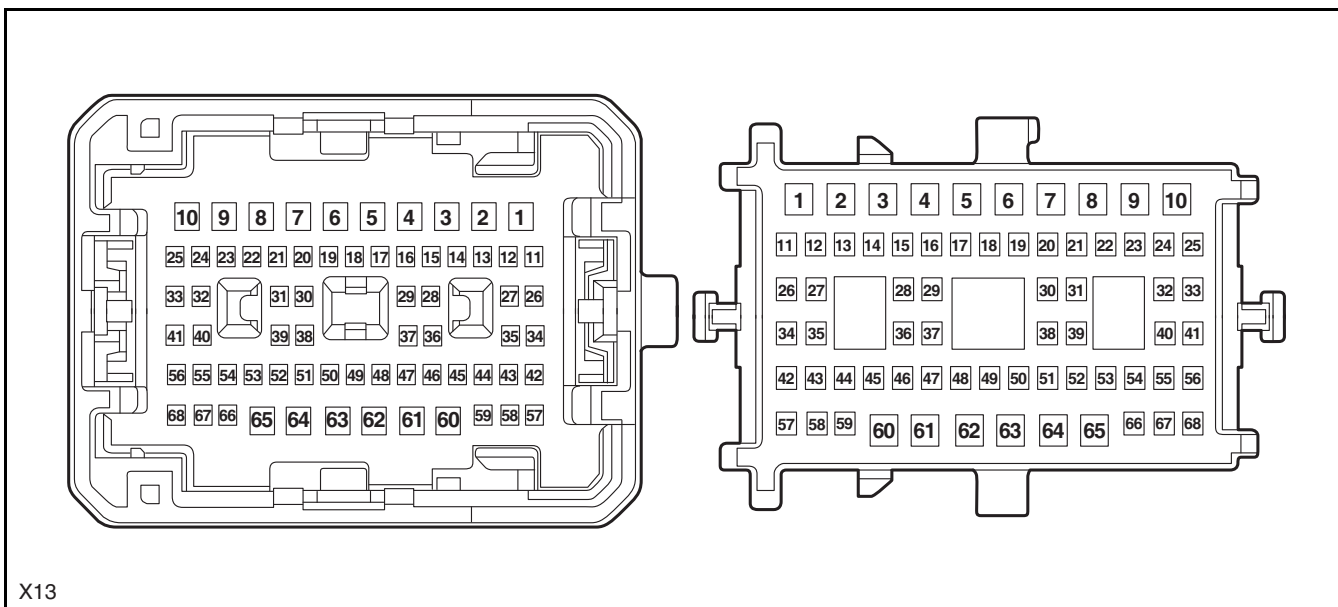
Engine Compartment Wiring Harness to Instrument Panel Wiring Harness (Left 3)

Instrument Panel Wiring Harness (Left 3) to Engine Compartment Wiring Harness



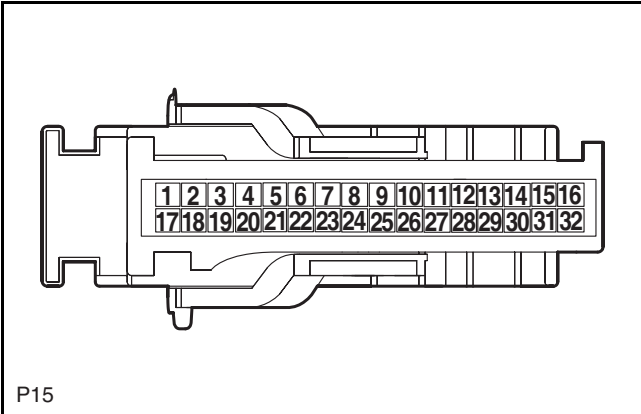
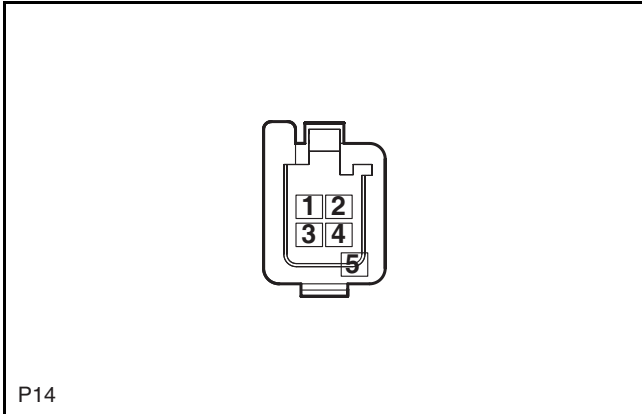
Chassis Wiring Harness to Instrument Panel Wiring Harness (Left 1)

Instrument Panel Wiring Harness (Left 1) to Chassis Wiring Harness



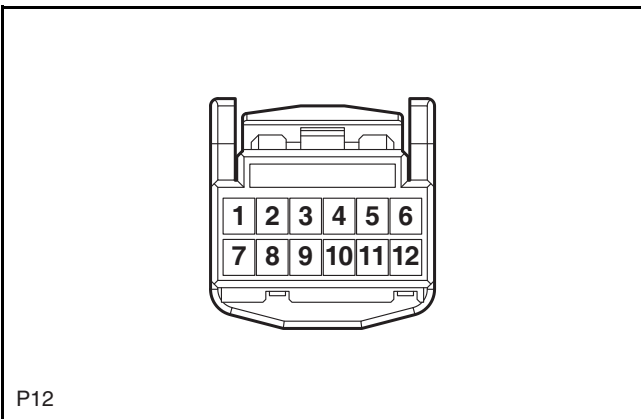
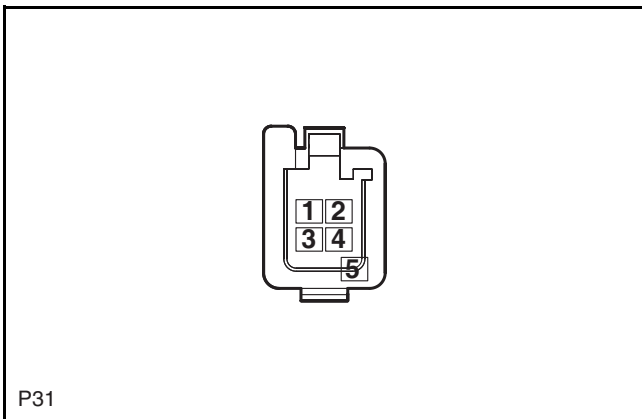
Instrument Cluster Head Unit Controller (Display)

Instrument Cluster Head Unit Controller

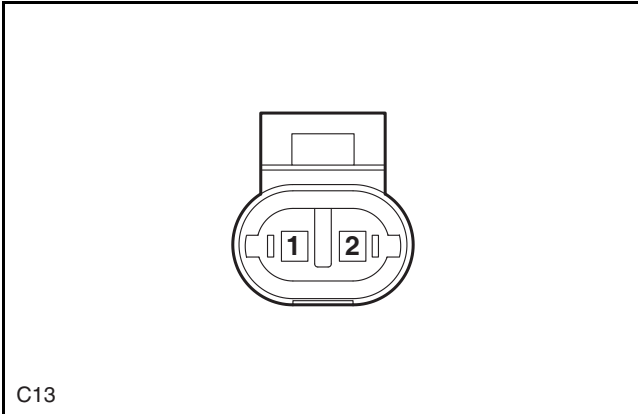


Entertainment and Audio Head Unit (USB for Instrument Cluster)

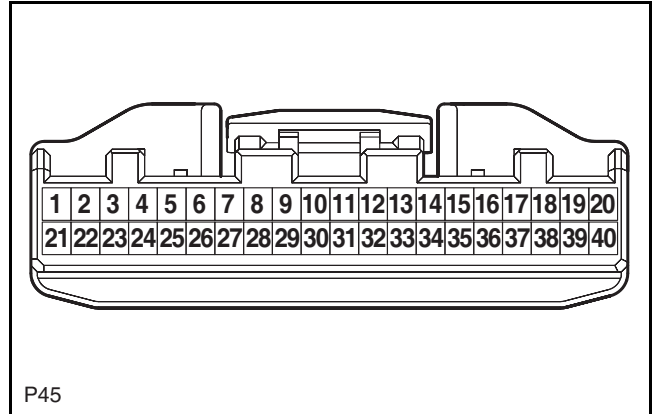
Rotary Connector (Multi-functional Switch, High Configuration/Low Configuration)



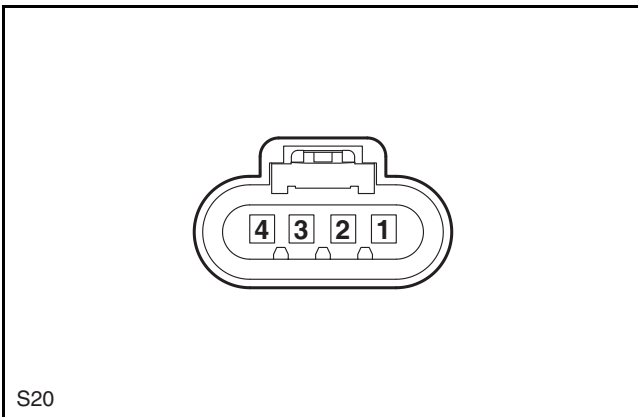
Brake Fluid Level Sensor



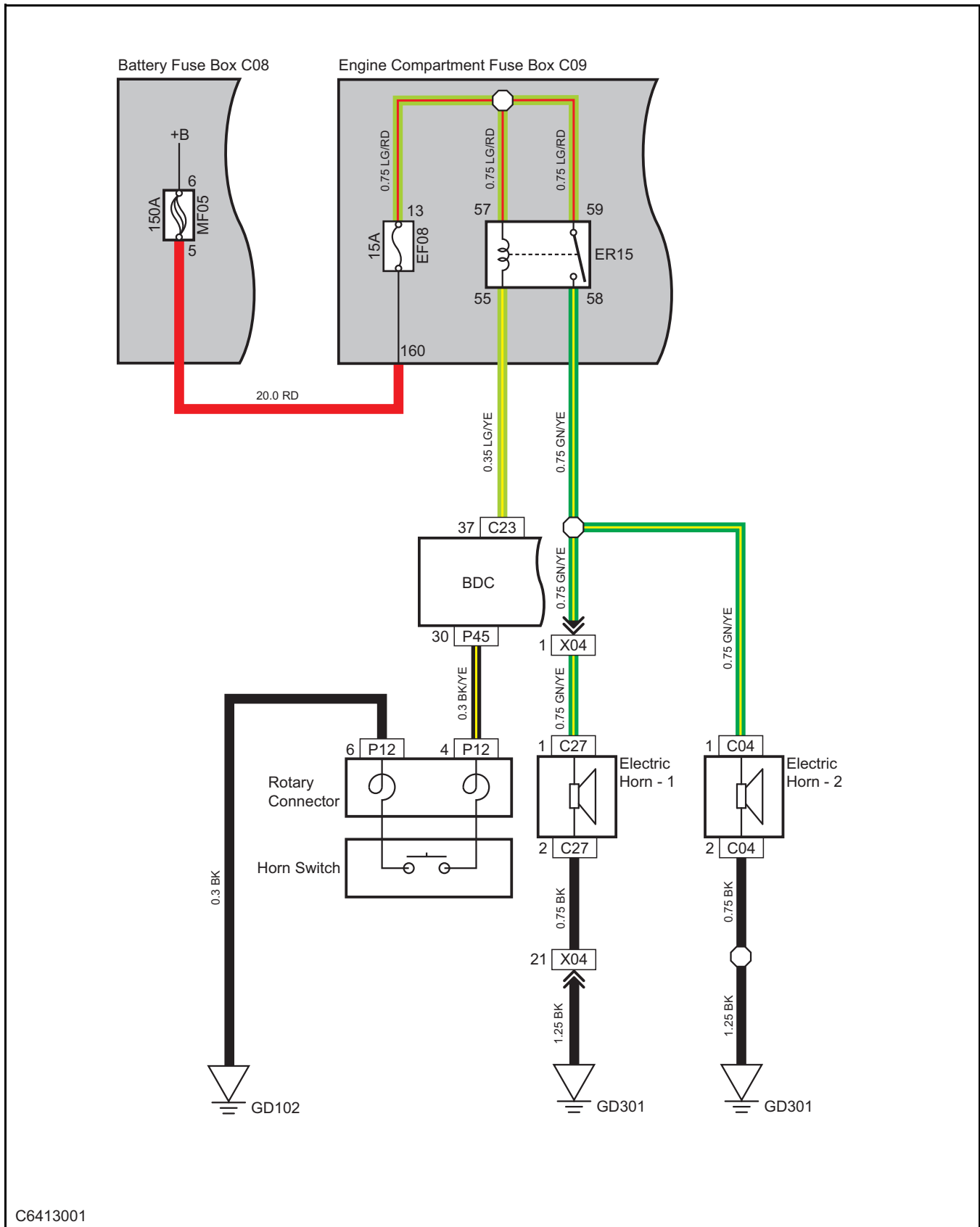
BDC-J2



Fuel Pump

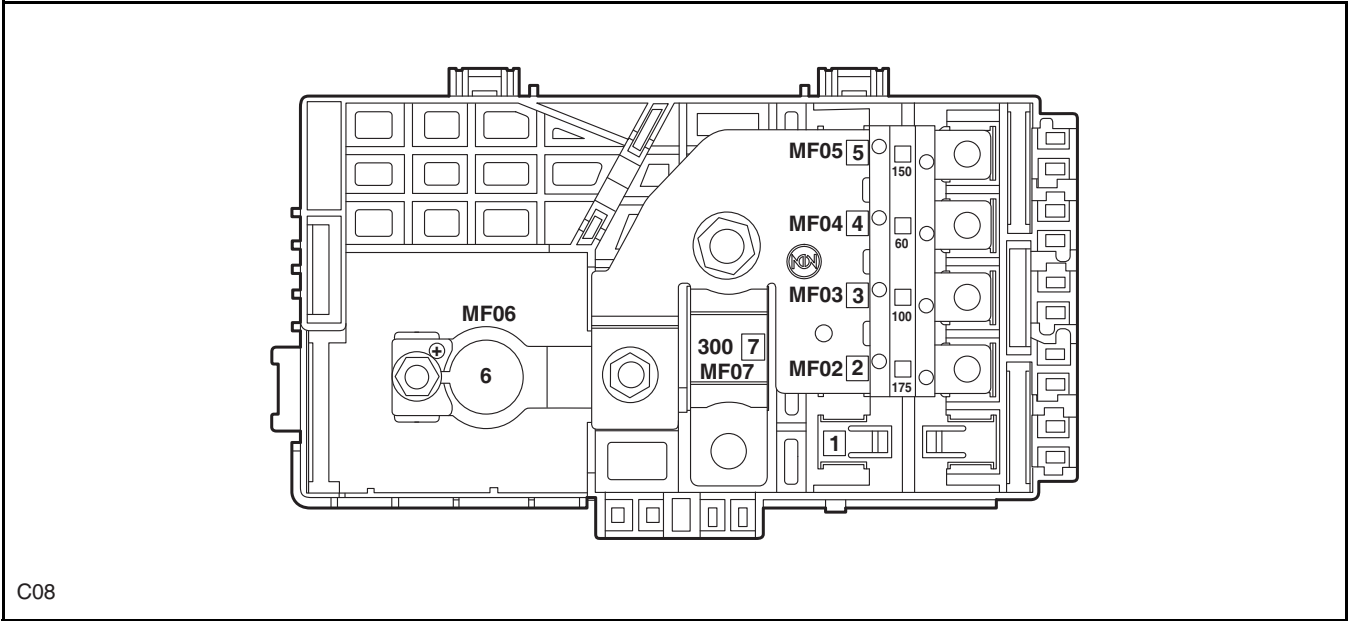


Horn



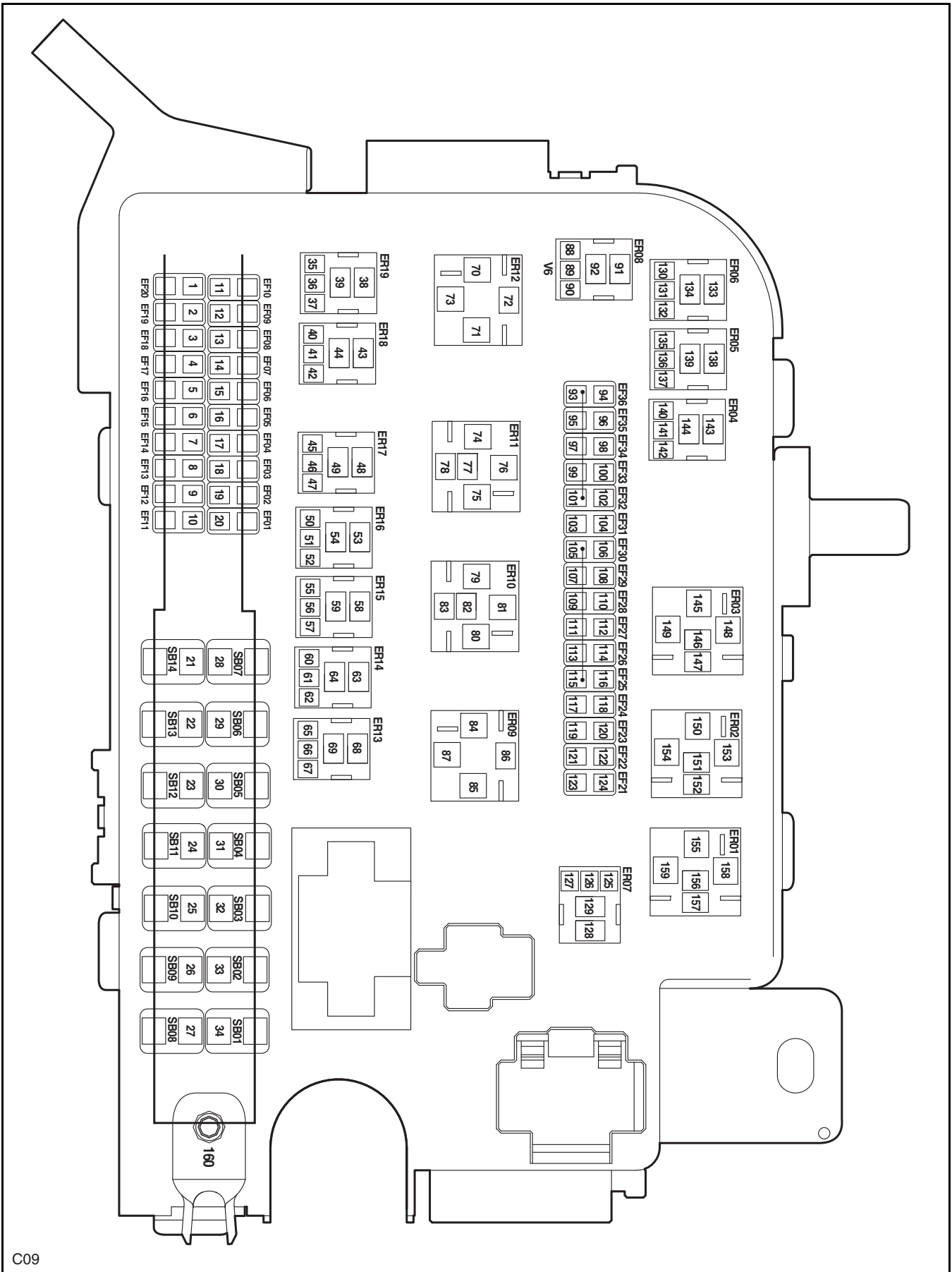
C6413001

Battery Fuse Box



C08

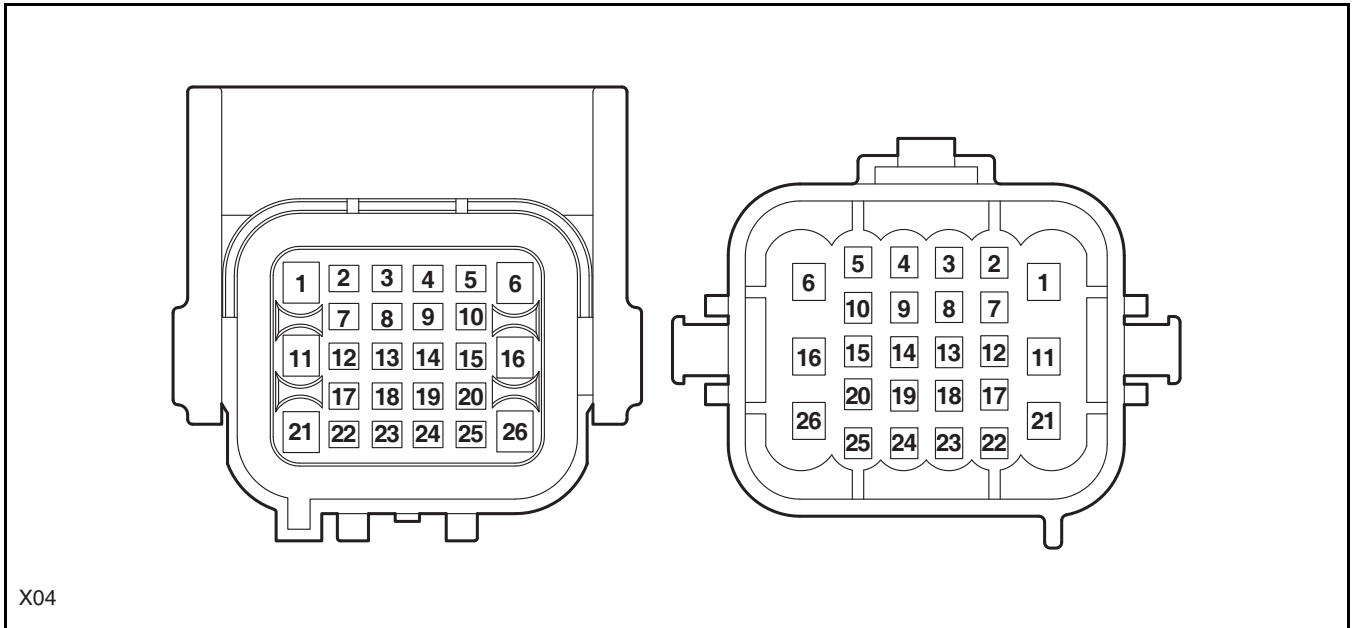
Engine Compartment Fuse Box



C09

Engine Compartment Wiring Harness to Front End Module Wiring Harness

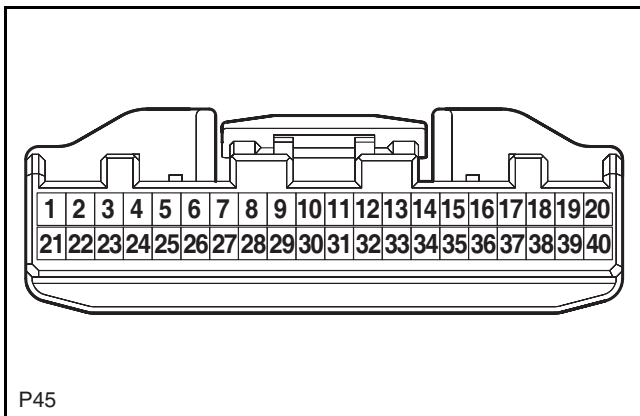
Front End Module Wiring Harness to Engine Compartment Wiring Harness



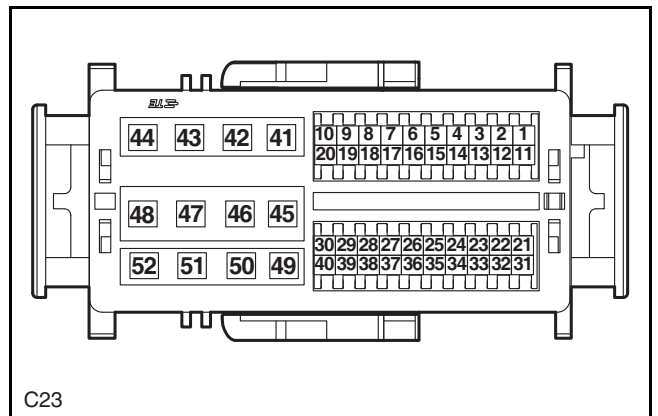
X04

BDC-J2

BDC-J5

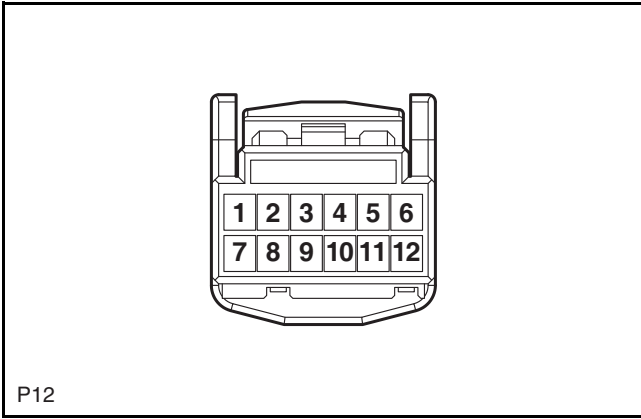


P45



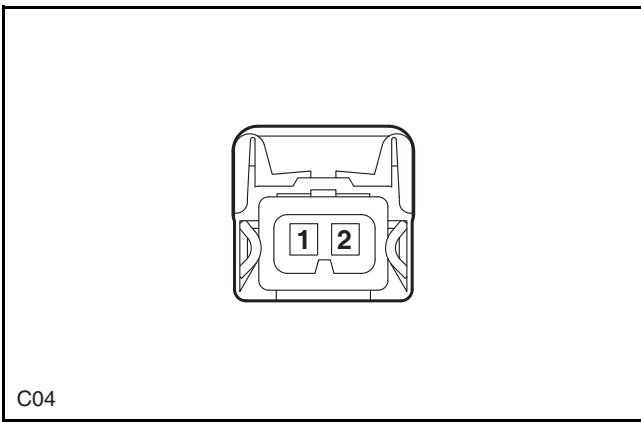
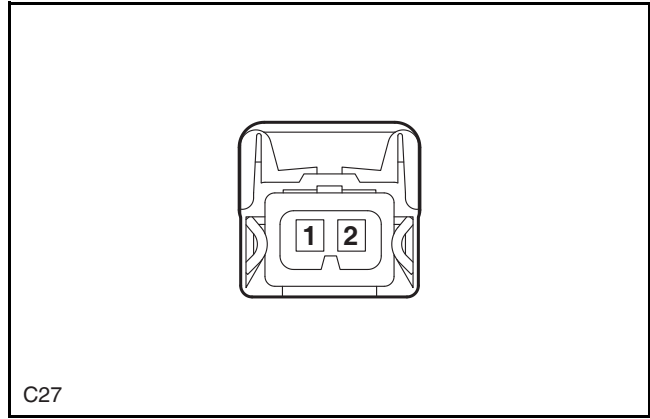
C23

Rotary Connector (Multi-functional Switch, High Configuration/Low Configuration)

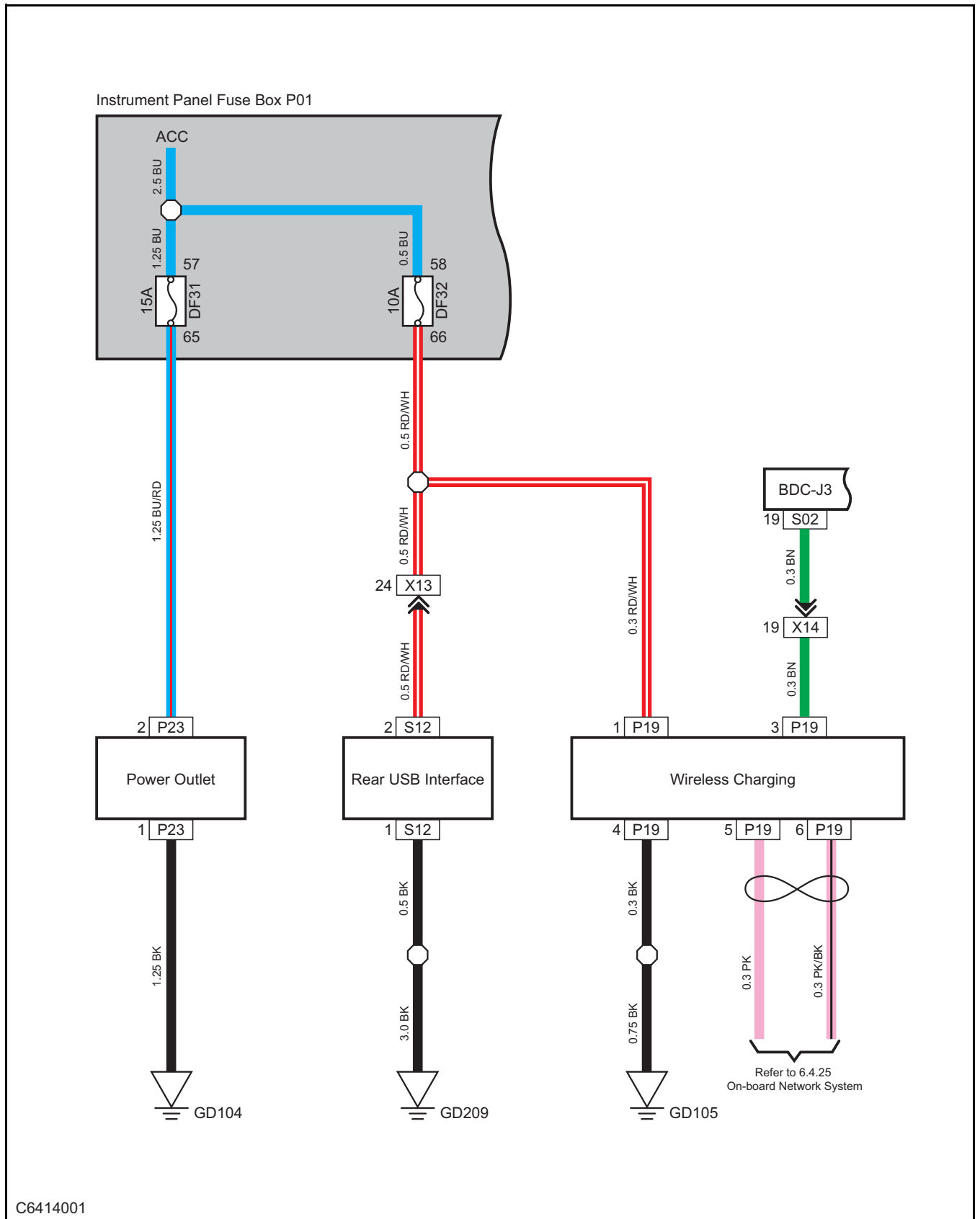


Electric Horn - 2

Electric Horn - 1

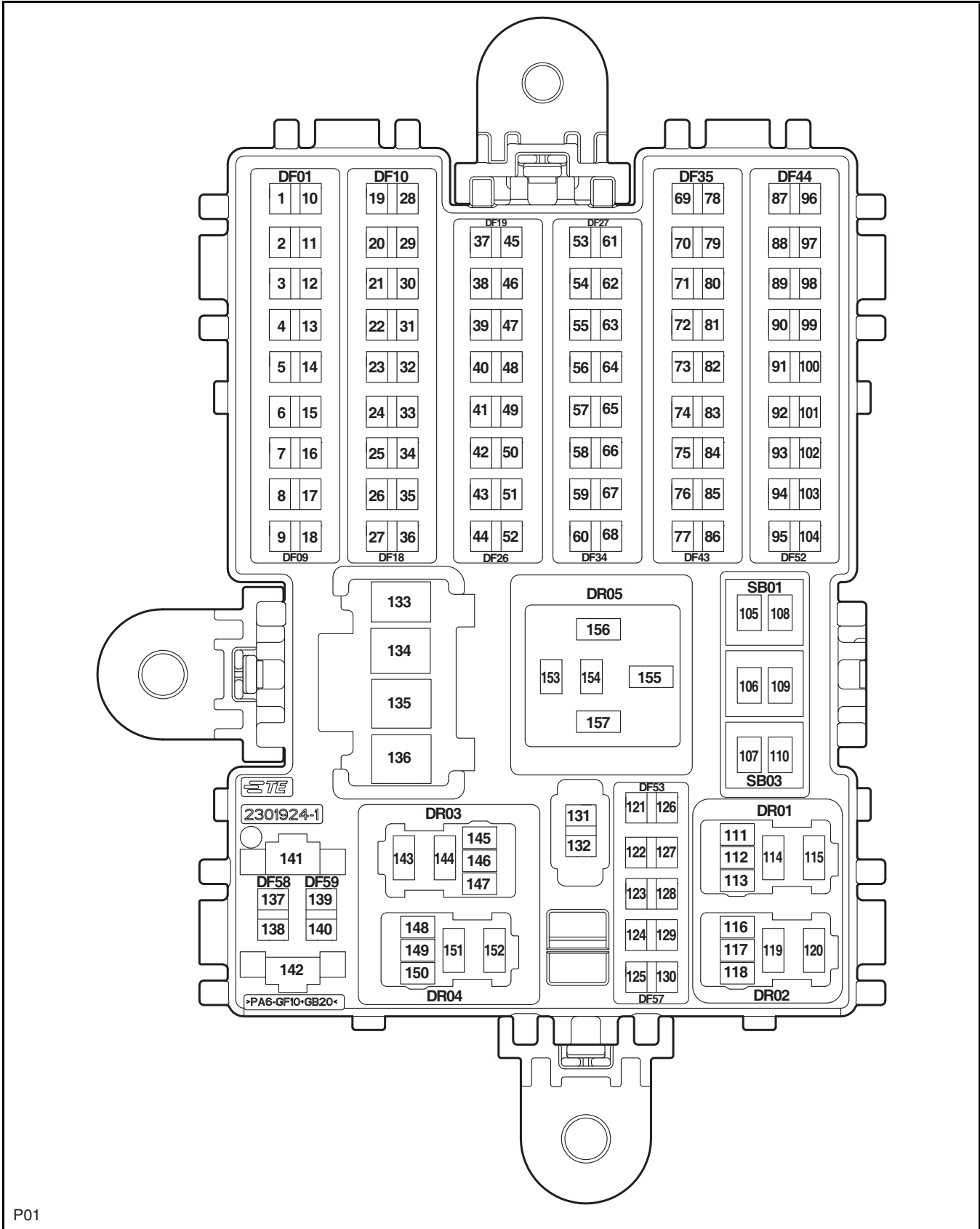


USB & On-board Power Supply



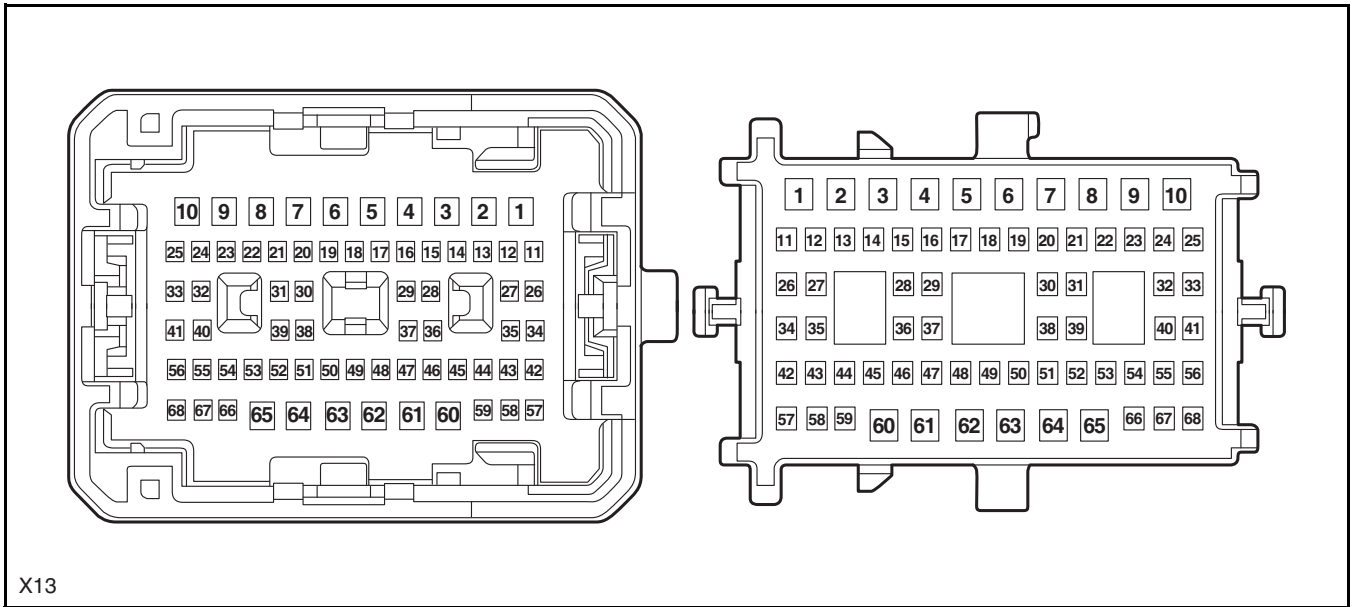
C6414001

Instrument Panel Fuse Box



Chassis Wiring Harness to Instrument Panel Wiring Harness (Left 1)

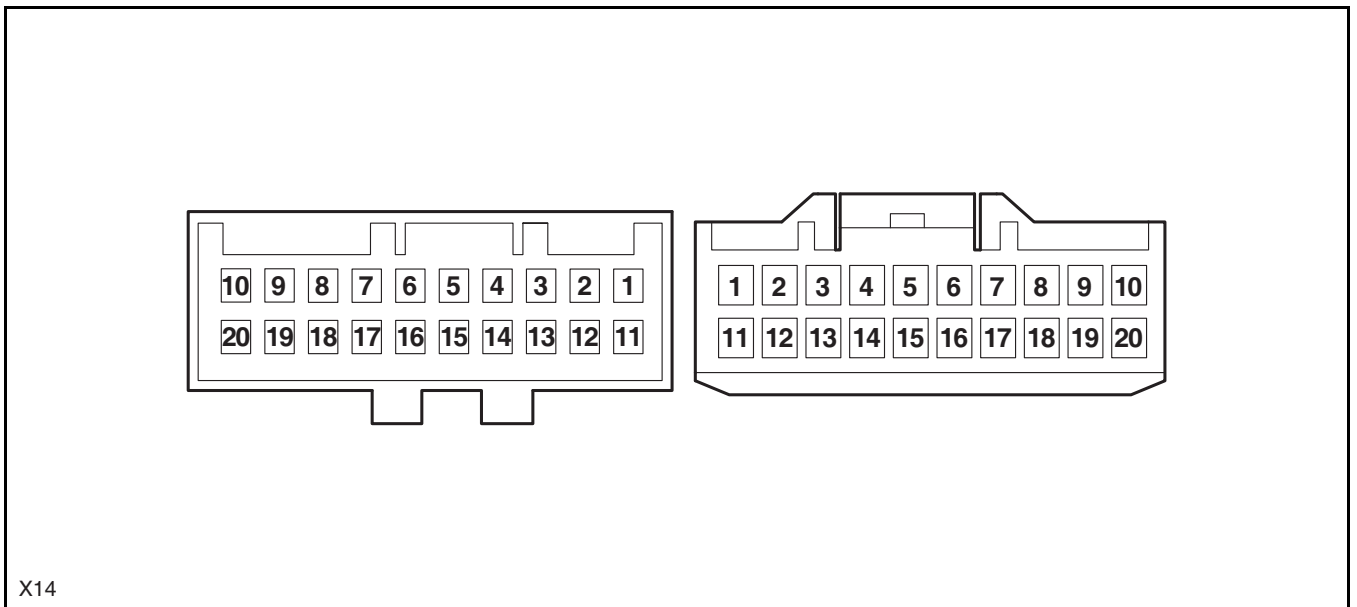
Instrument Panel Wiring Harness (Left 1) to Chassis Wiring Harness



X13

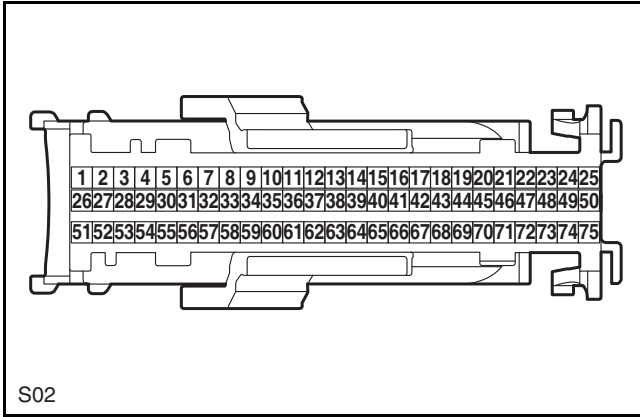
Chassis Wiring Harness to Instrument Panel Wiring Harness (Middle 1)

Instrument Panel Wiring Harness (Middle 1) to Chassis Wiring Harness



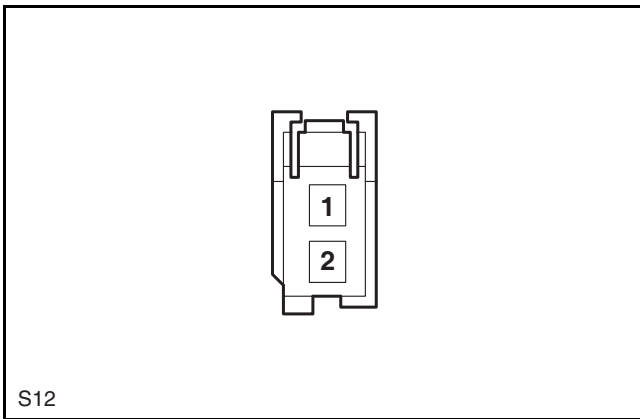
X14

BDC-J3 (Chassis)



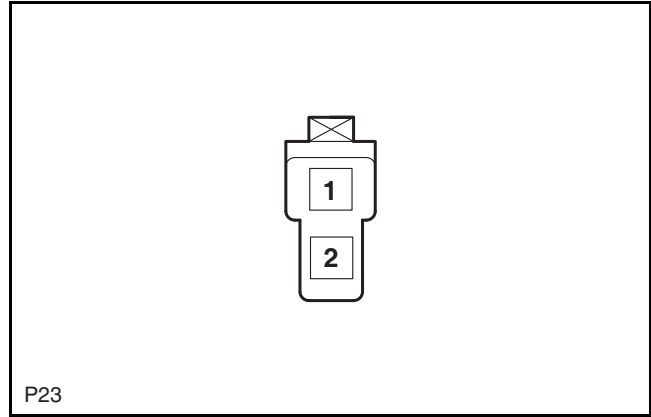
S02

Rear USB Interface



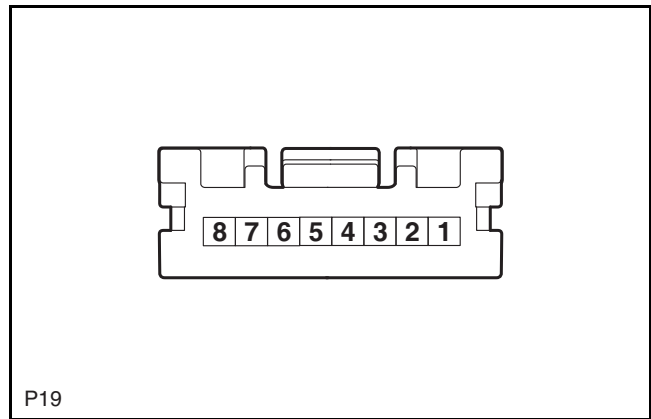
S12

Power Outlet



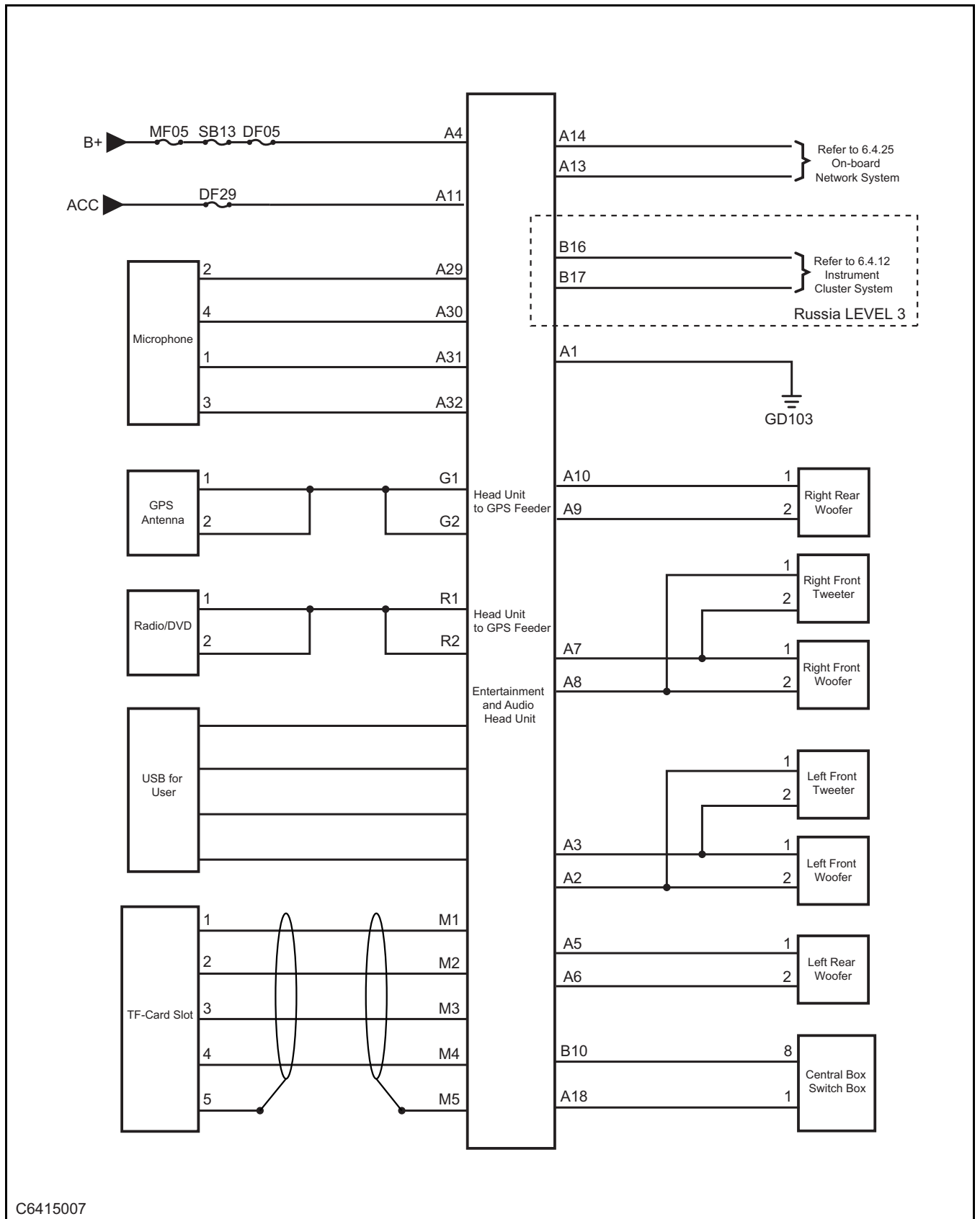
P23

Wireless Charging

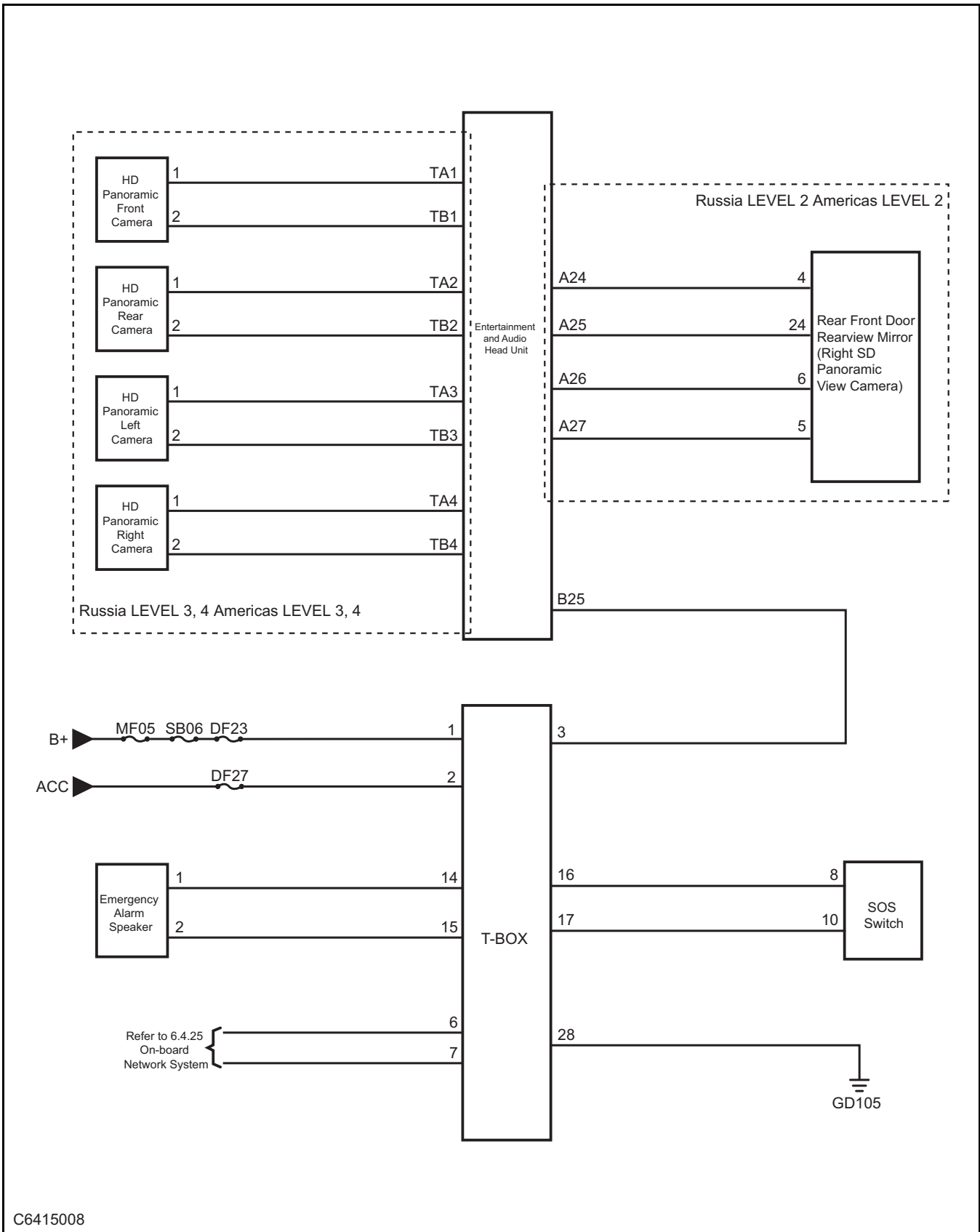


P19

Information and Entertainment System

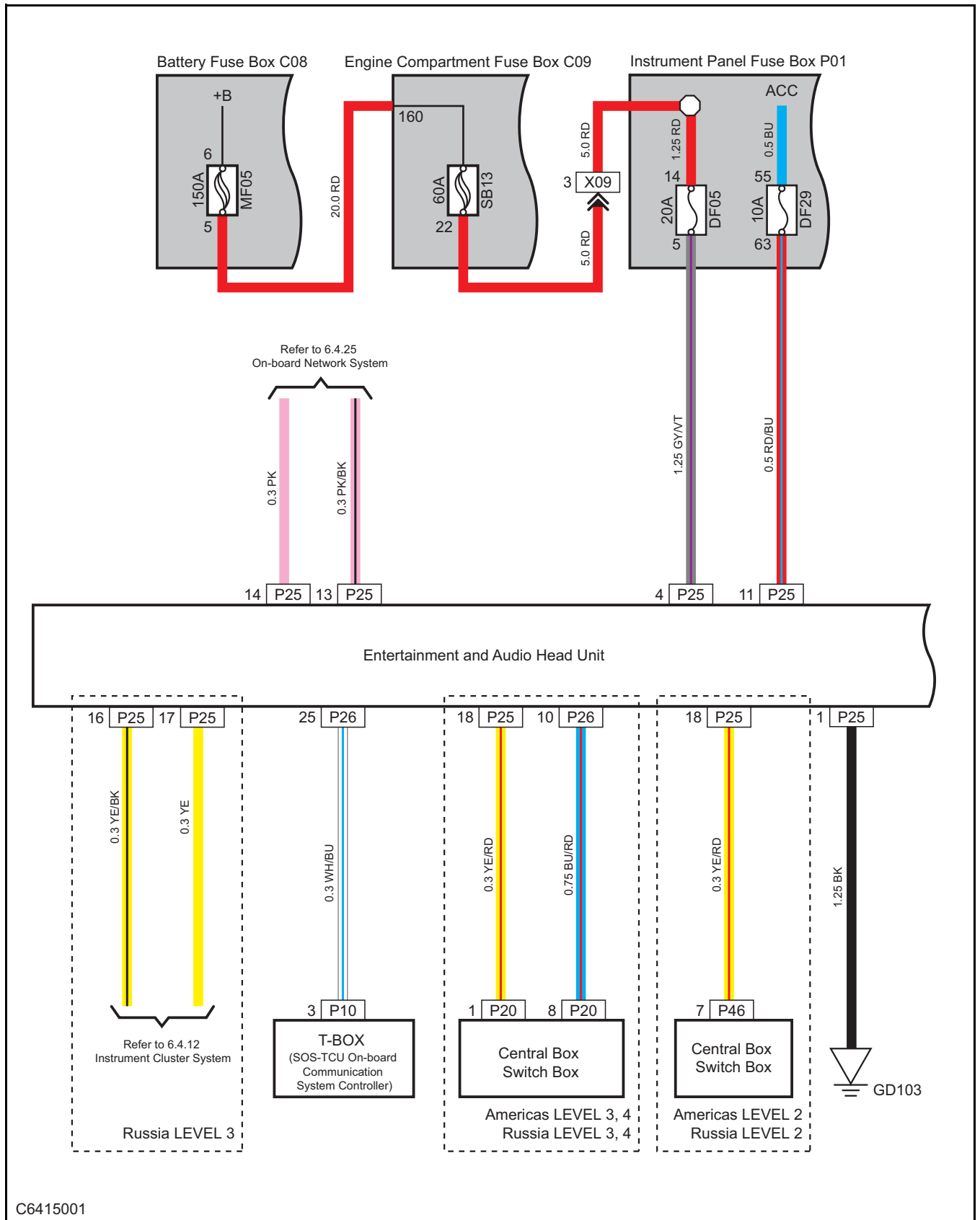


C6415007



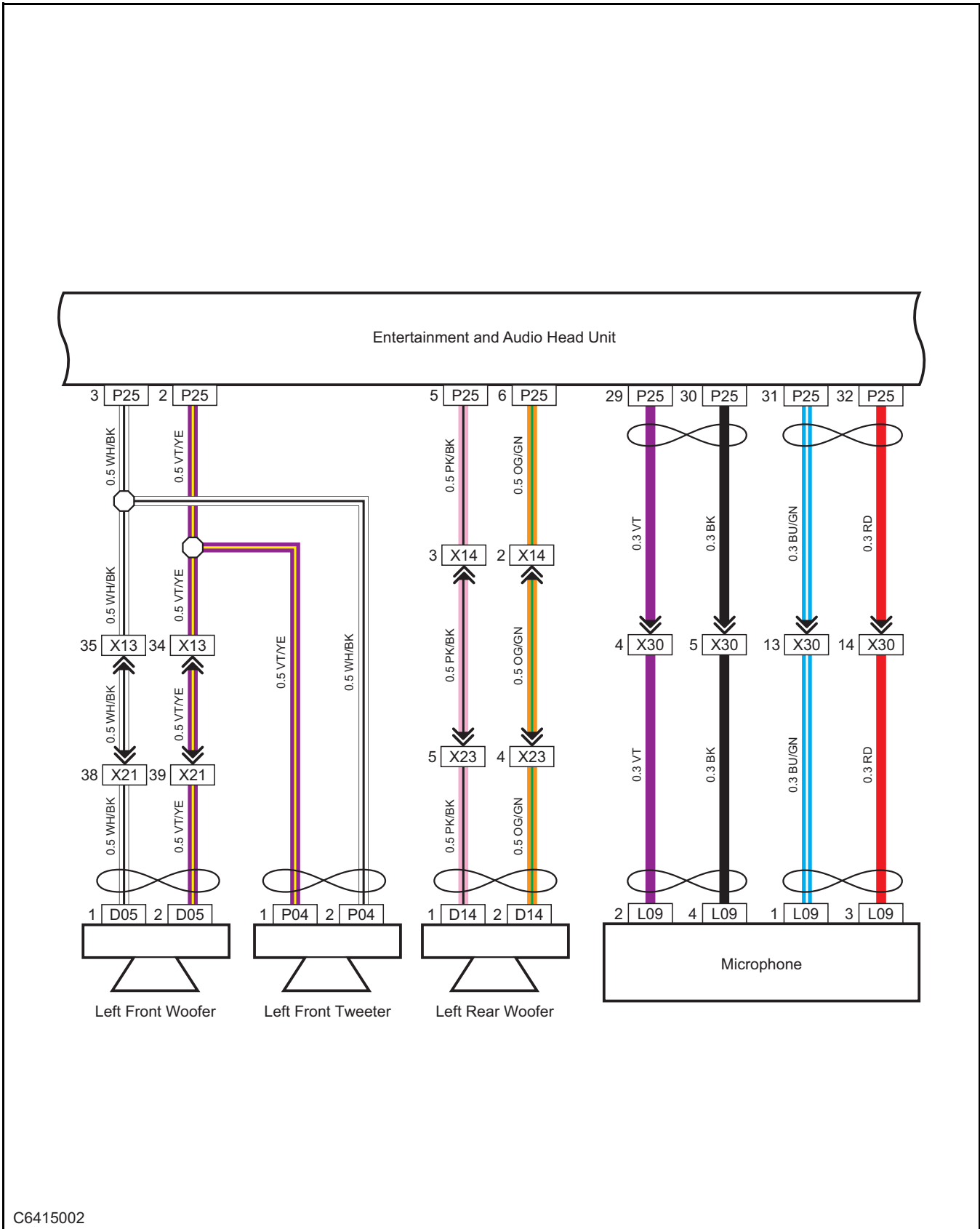
C6415008

Power Supply/Central Box Switch Box



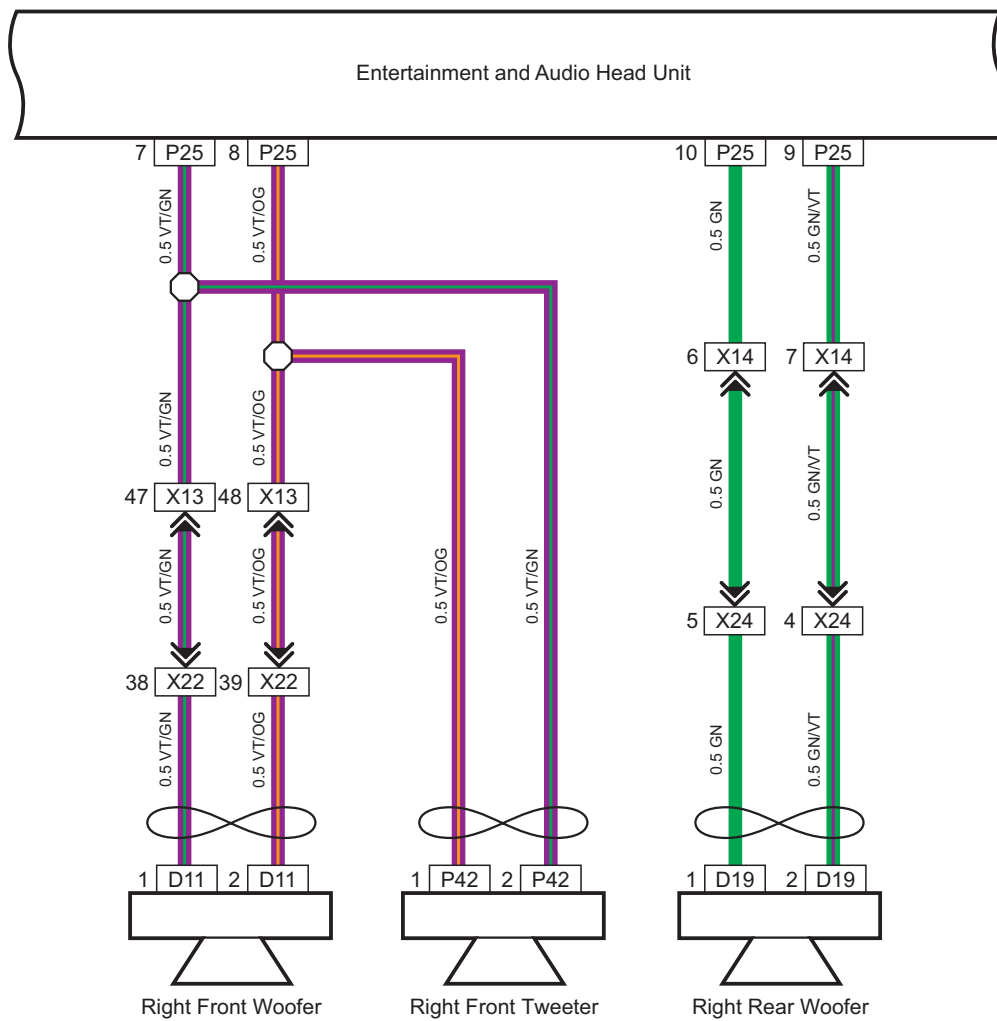
C6415001

Left Woofer/Left Tweeter/Microphone



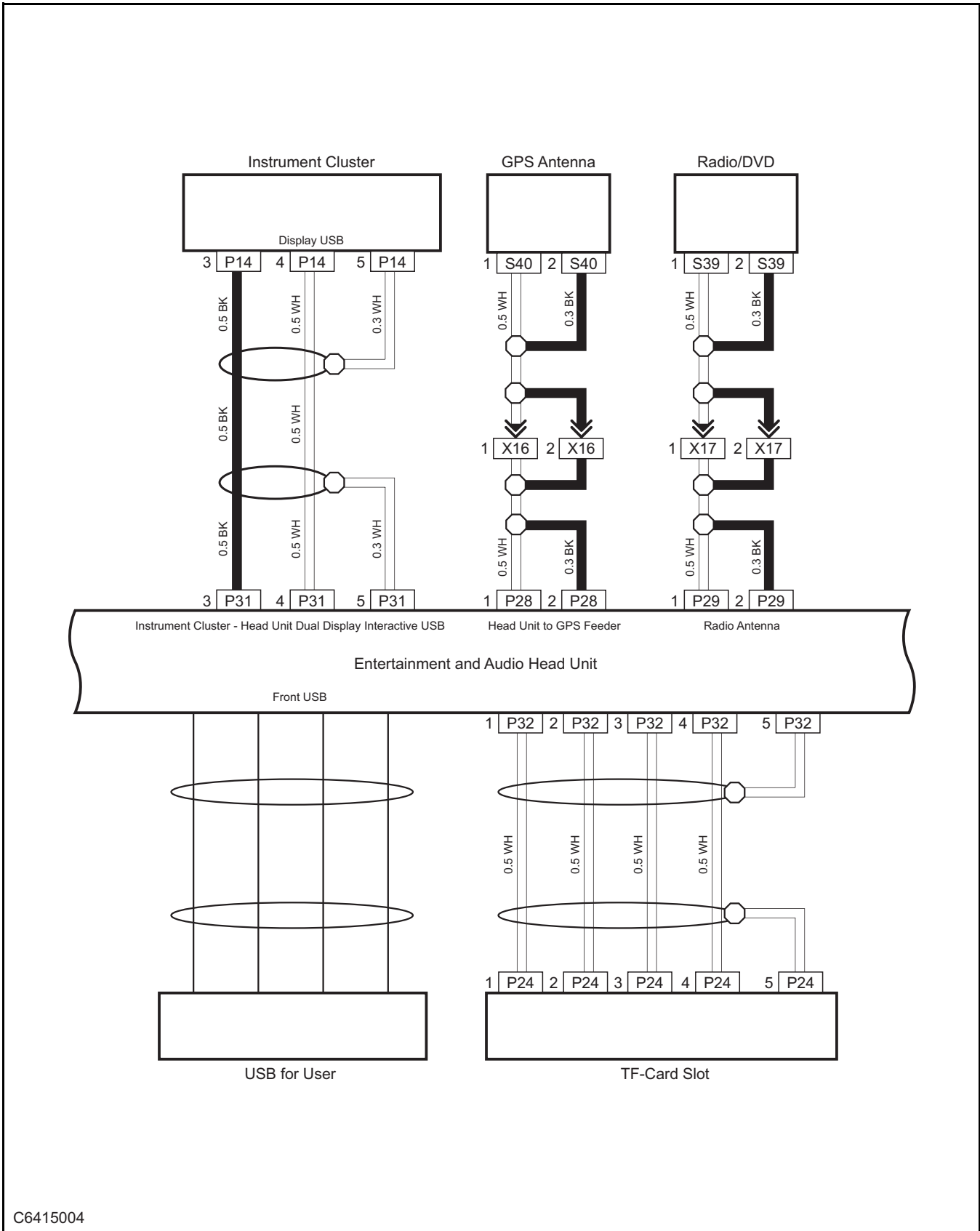
C6415002

Right Woofer/Right Tweeter



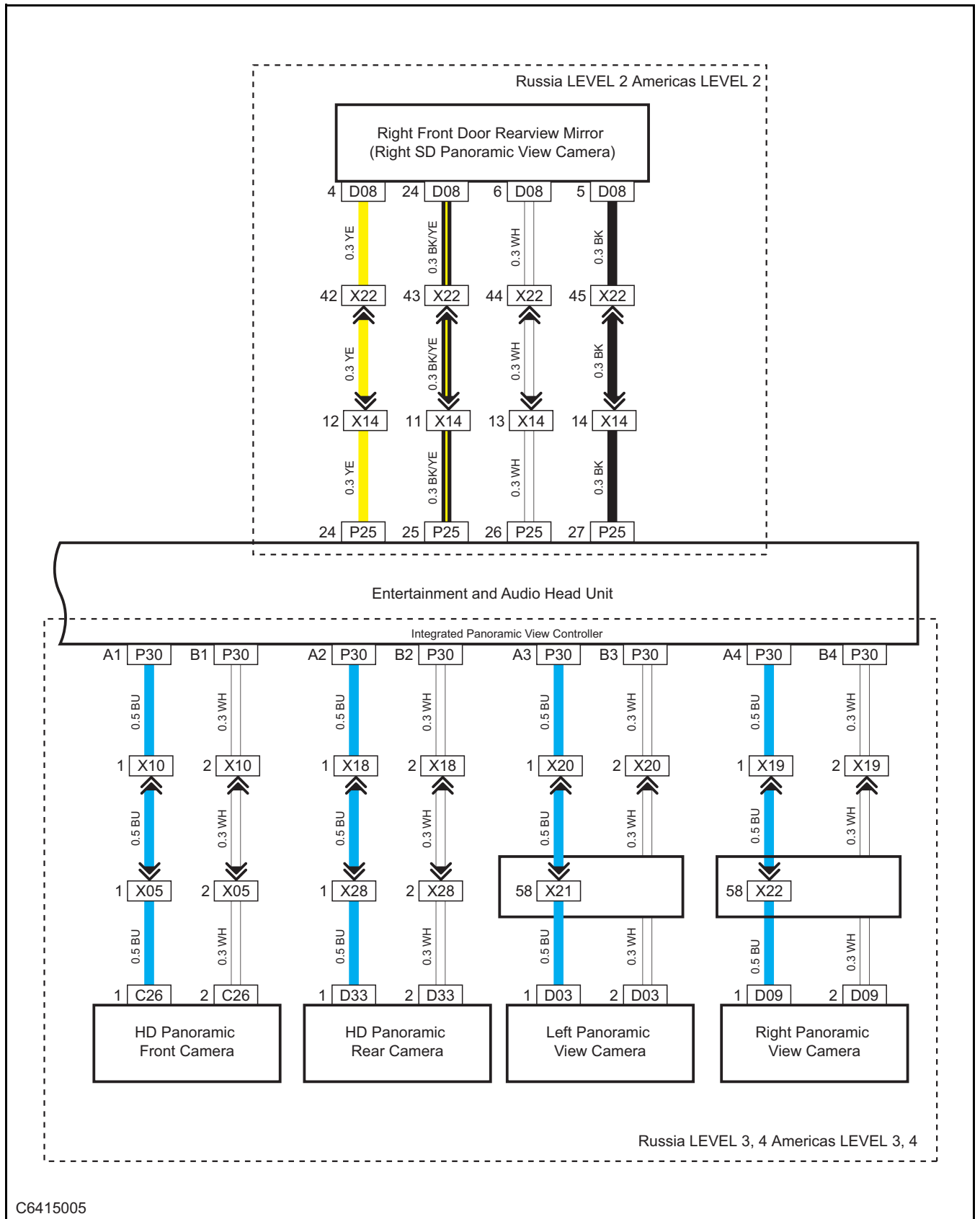
C6415003

Front Display/User USB/GPS Antenna/Radio Antenna/TF-Slot



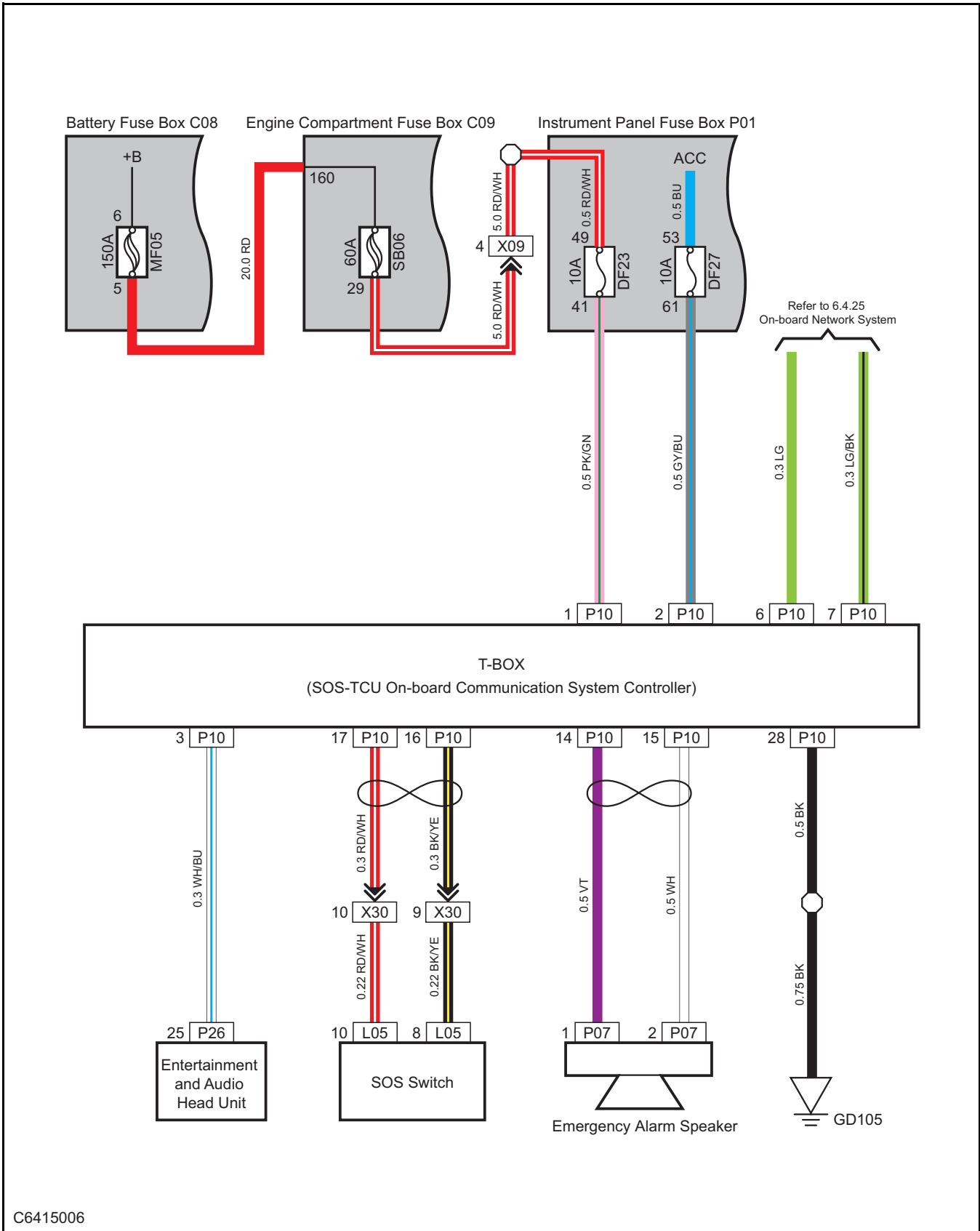
C6415004

Integrated Panoramic View Controller

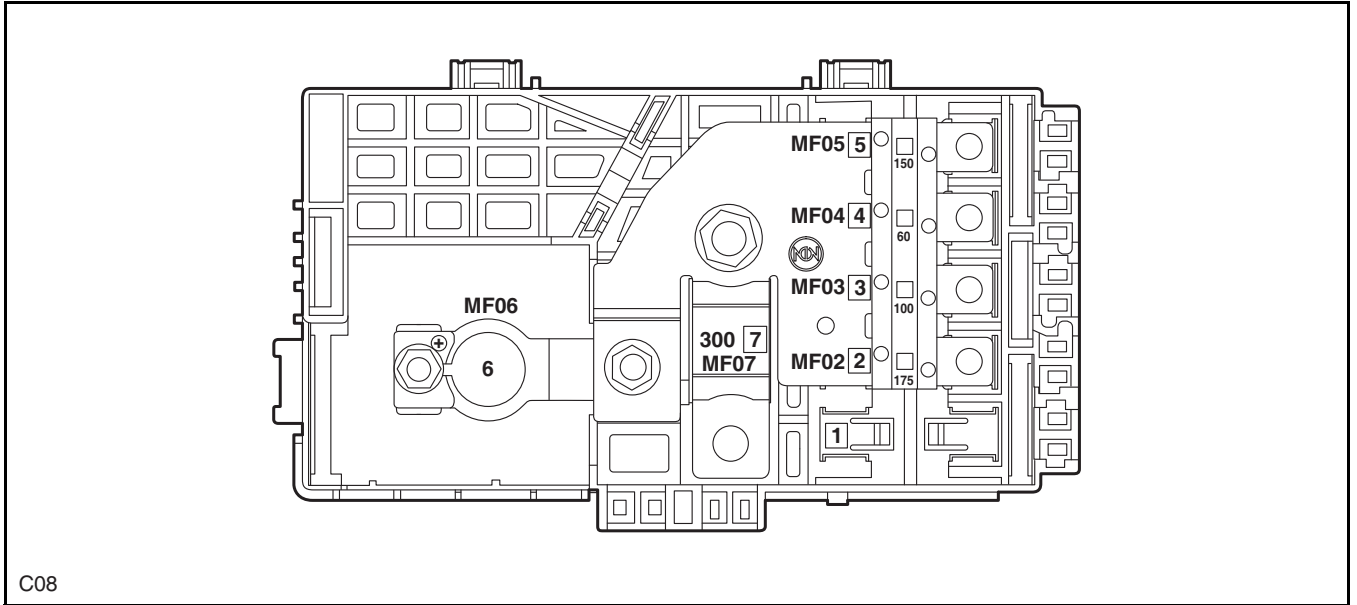


C6415005

T-BOX (Russia)

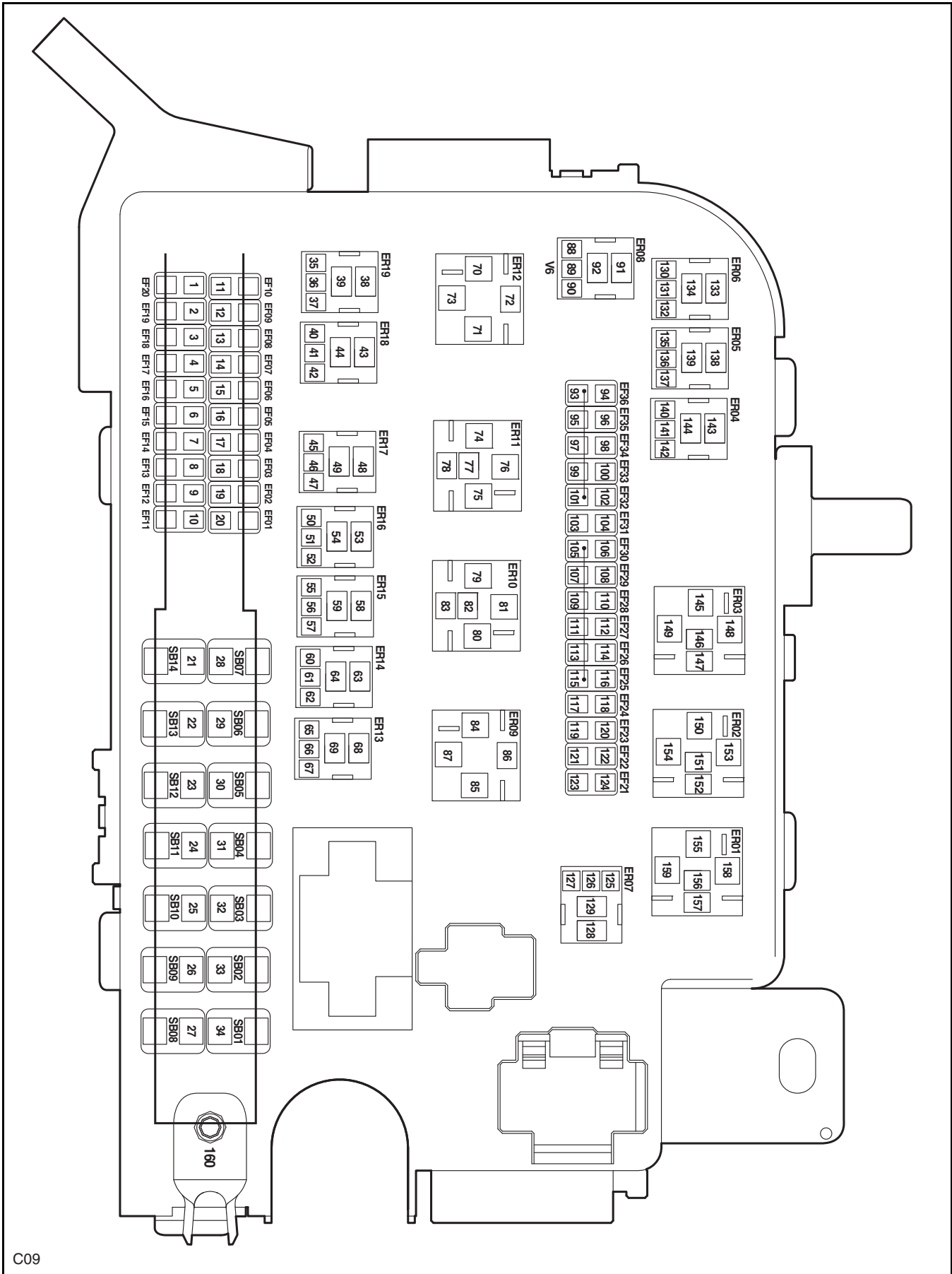


Battery Fuse Box



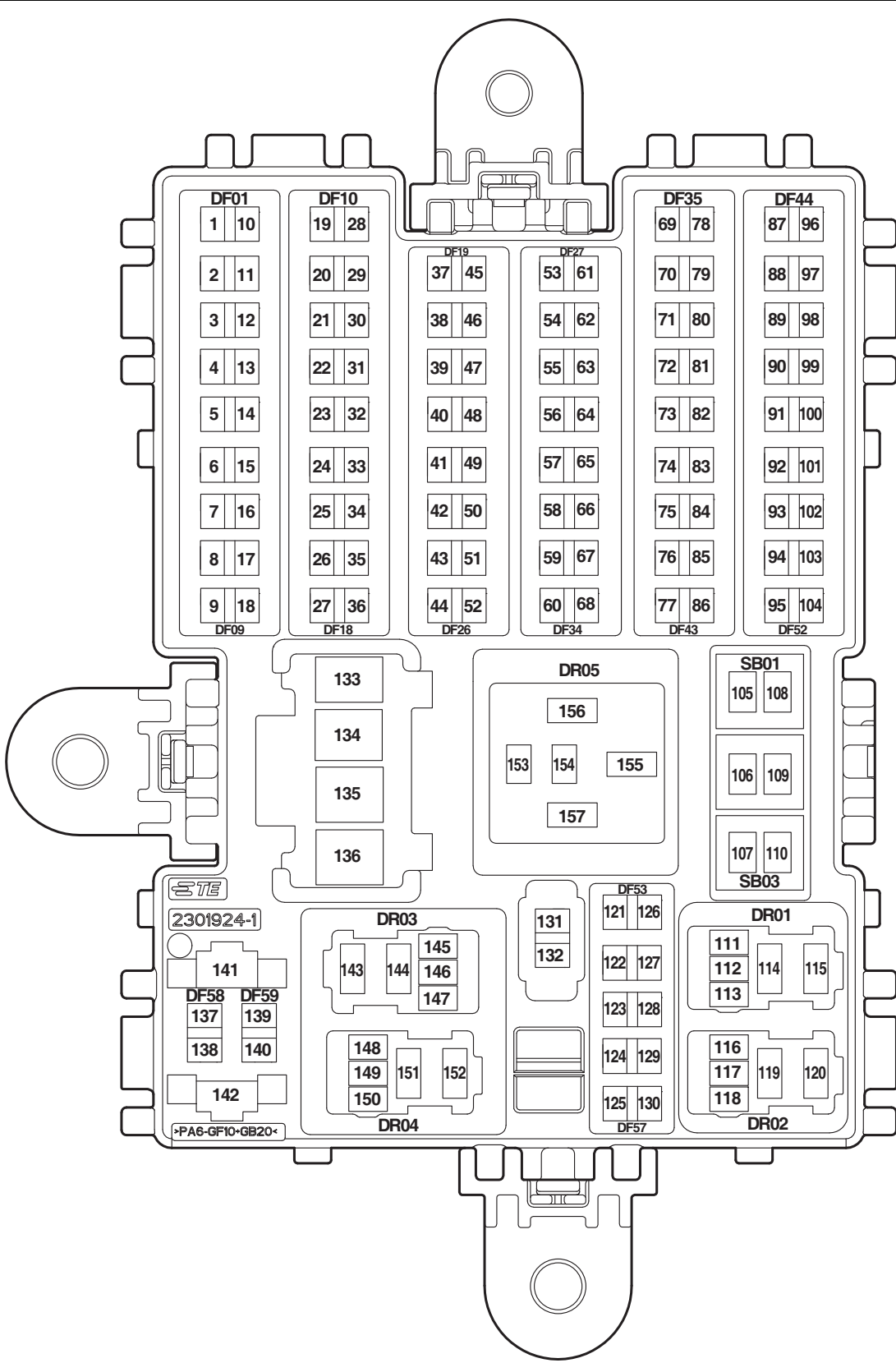
C08

Engine Compartment Fuse Box



C09

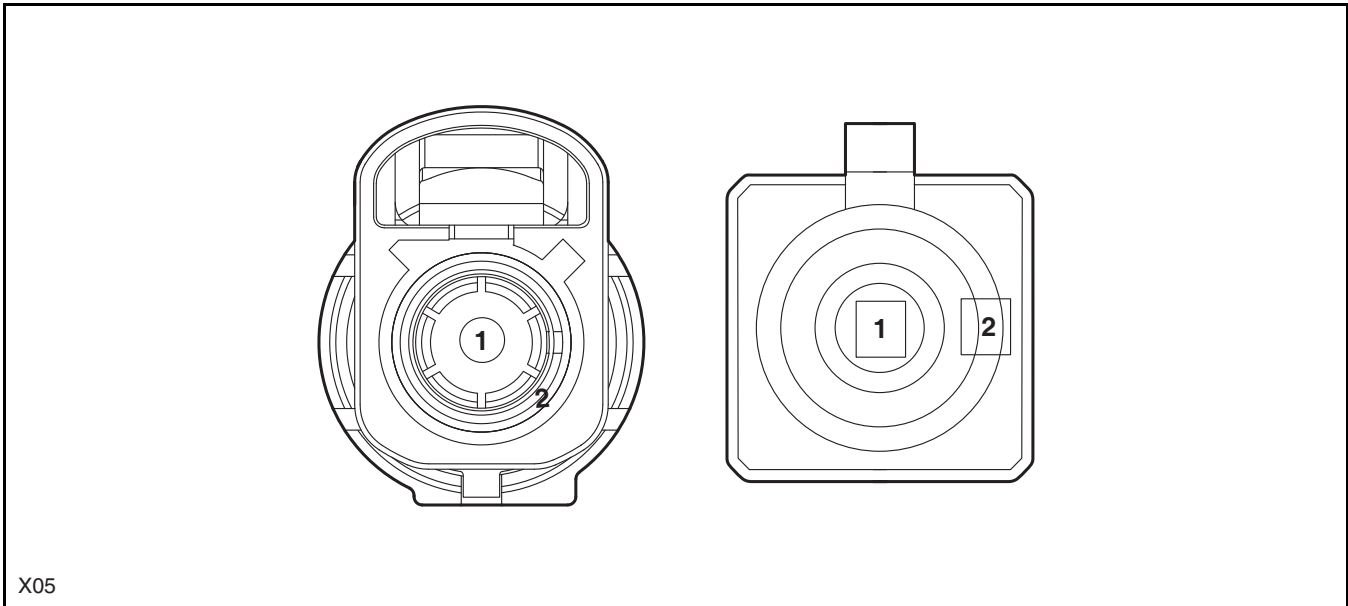
Instrument Panel Fuse Box



P01

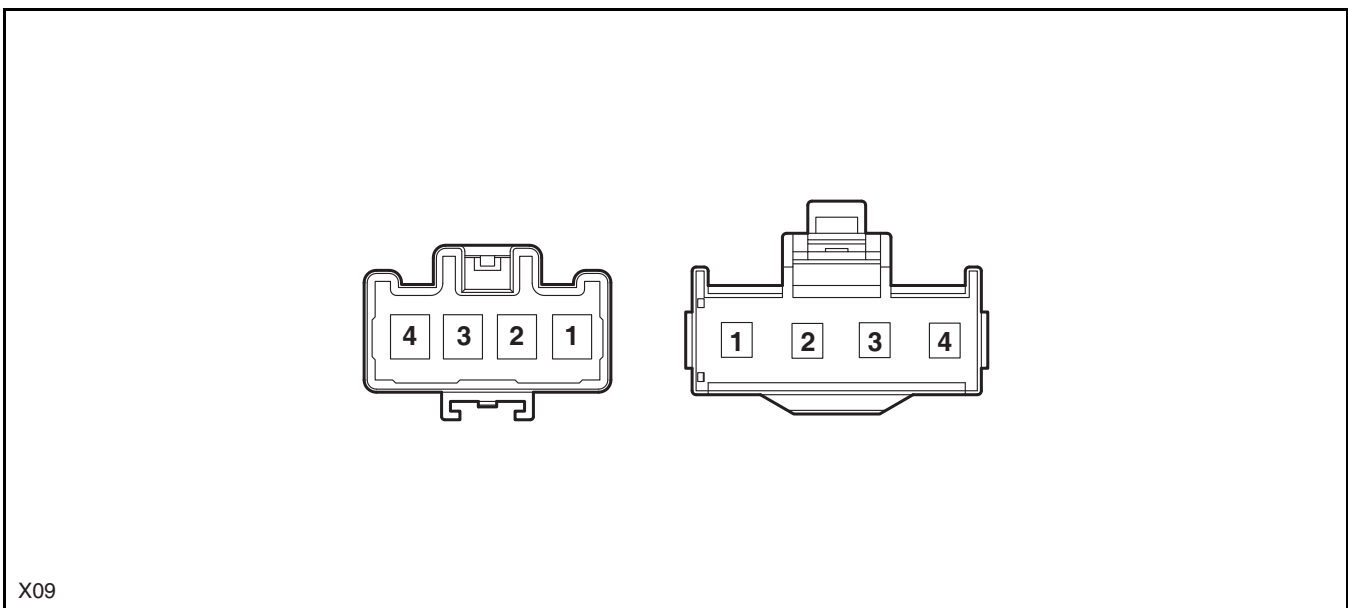
Engine Compartment Wiring Harness to Front End Module Wiring Harness (Panoramic View Camera to HU)

Front End Module Wiring Harness (Panoramic View Camera to HU) to Engine Compartment Wiring Harness



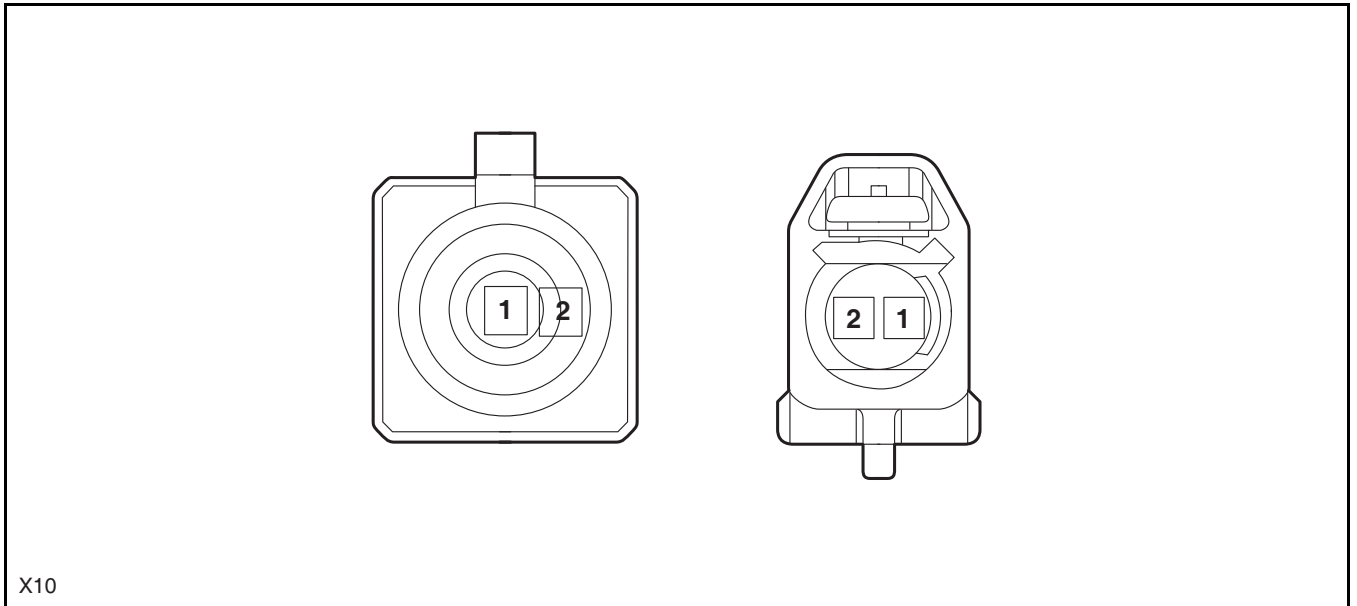
Engine Compartment Wiring Harness to Instrument Panel Wiring Harness (Left 3)

Instrument Panel Wiring Harness (Left 3) to Engine Compartment Wiring Harness



Engine Compartment Wiring Harness to Instrument Panel Wiring Harness (Panoramic View Camera to HU)

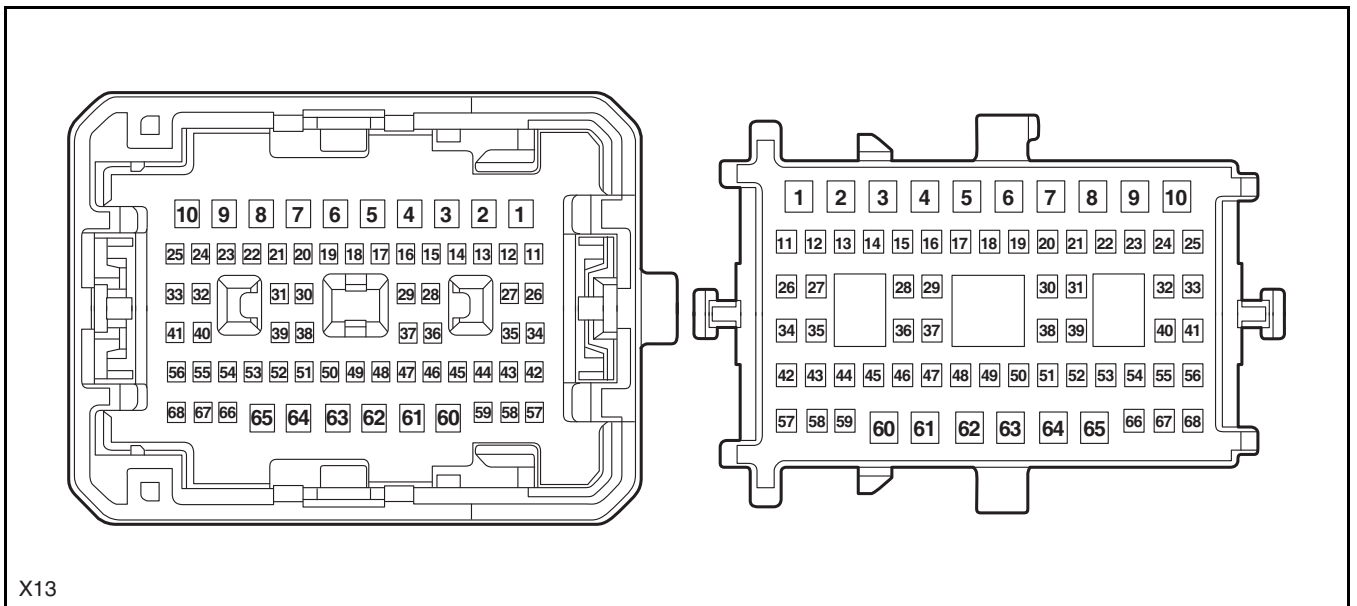
Instrument Panel Wiring Harness (Panoramic View Camera to HU) to Engine Compartment Wiring Harness



X10

Chassis Wiring Harness to Instrument Panel Wiring Harness (Left 1)

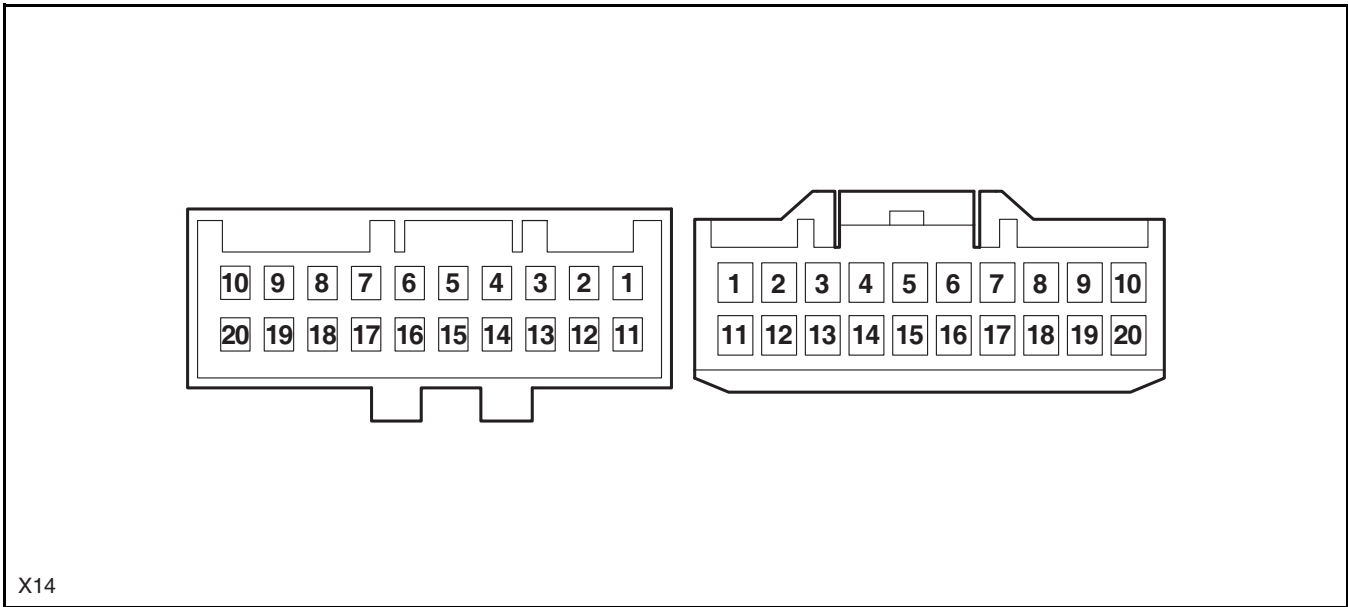
Instrument Panel Wiring Harness (Left 1) to Chassis Wiring Harness



X13

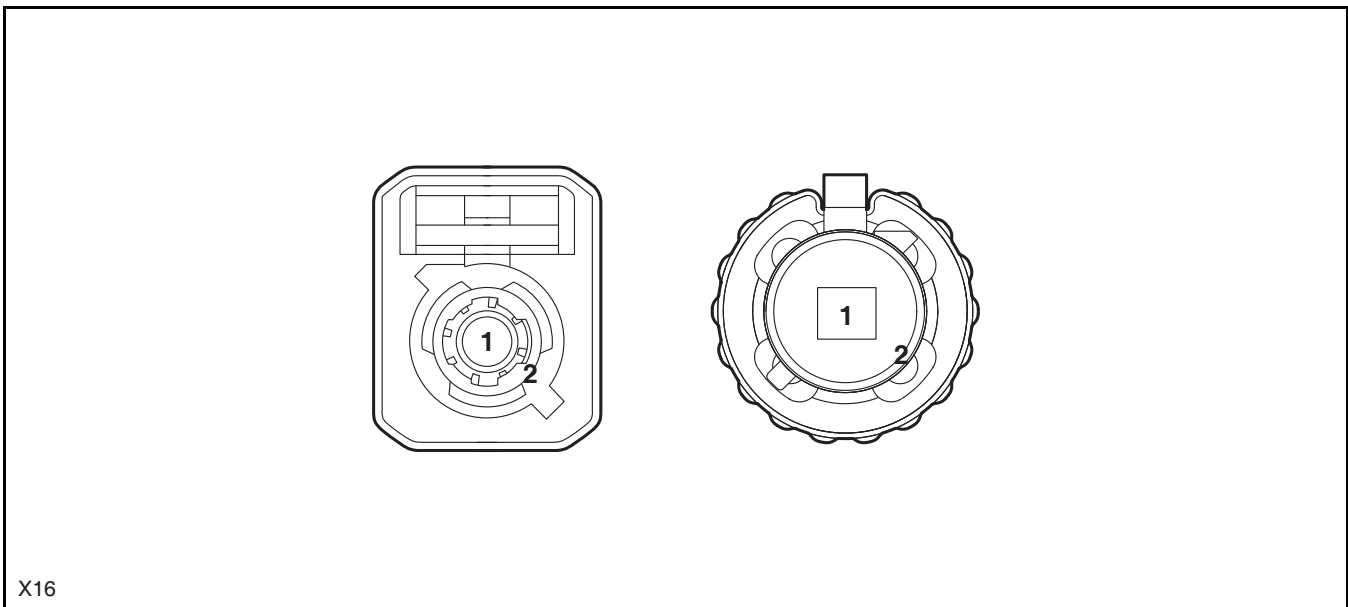
Chassis Wiring Harness to Instrument Panel Wiring Harness (Middle 1)

Instrument Panel Wiring Harness (Middle 1) to Chassis Wiring Harness



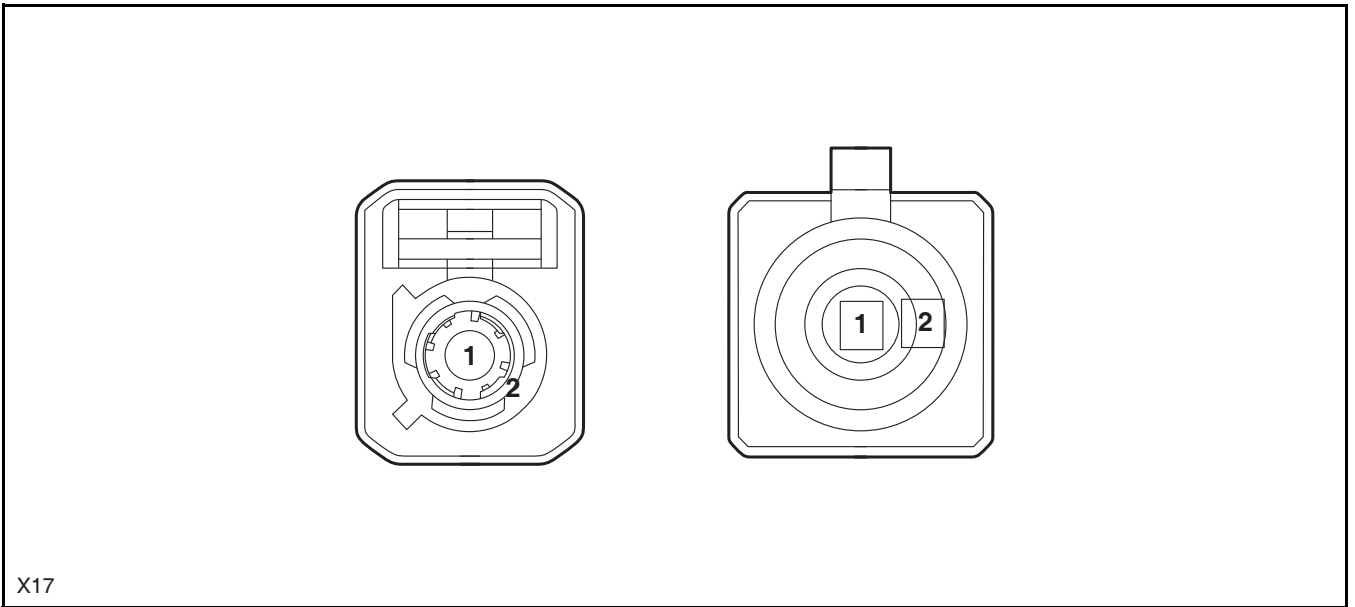
Chassis Wiring Harness to Instrument Panel Wiring Harness (GPS Antenna Coaxial)

Instrument Panel Wiring Harness (GPS Antenna Coaxial) to Chassis Wiring Harness



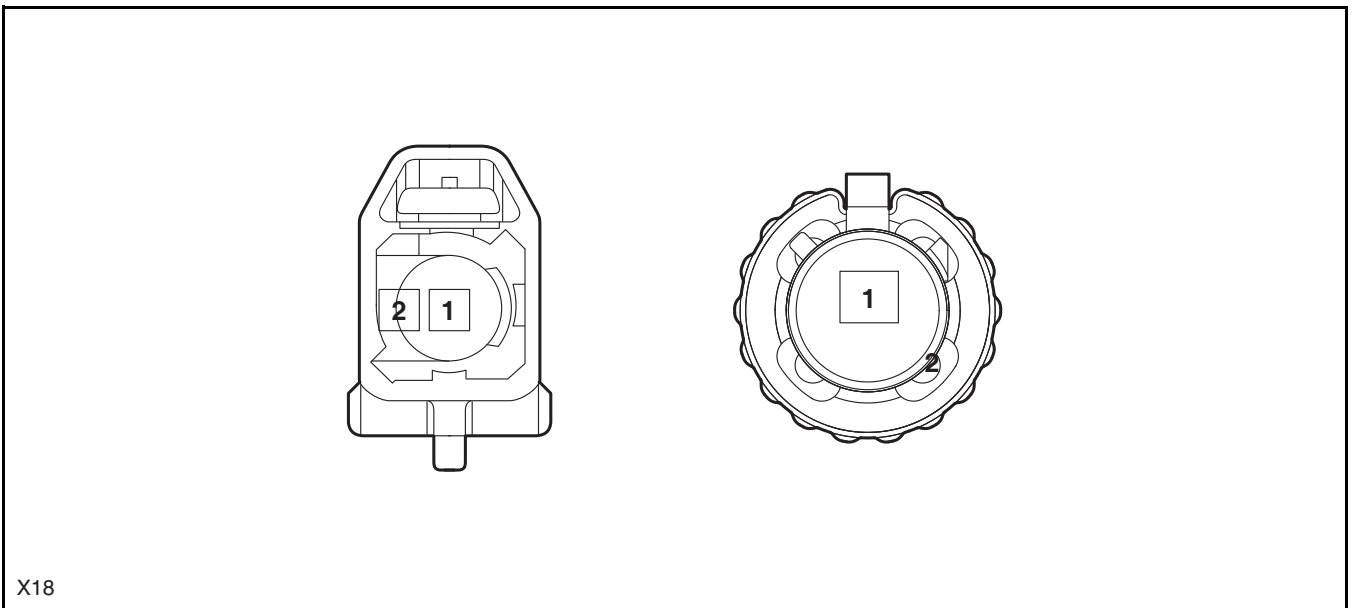
Chassis Wiring Harness to Instrument Panel Wiring
Harness (Radio Antenna Coaxial) (Overseas)

Instrument Panel Wiring Harness (Radio Antenna
Coaxial) (Overseas) to Chassis Wiring Harness



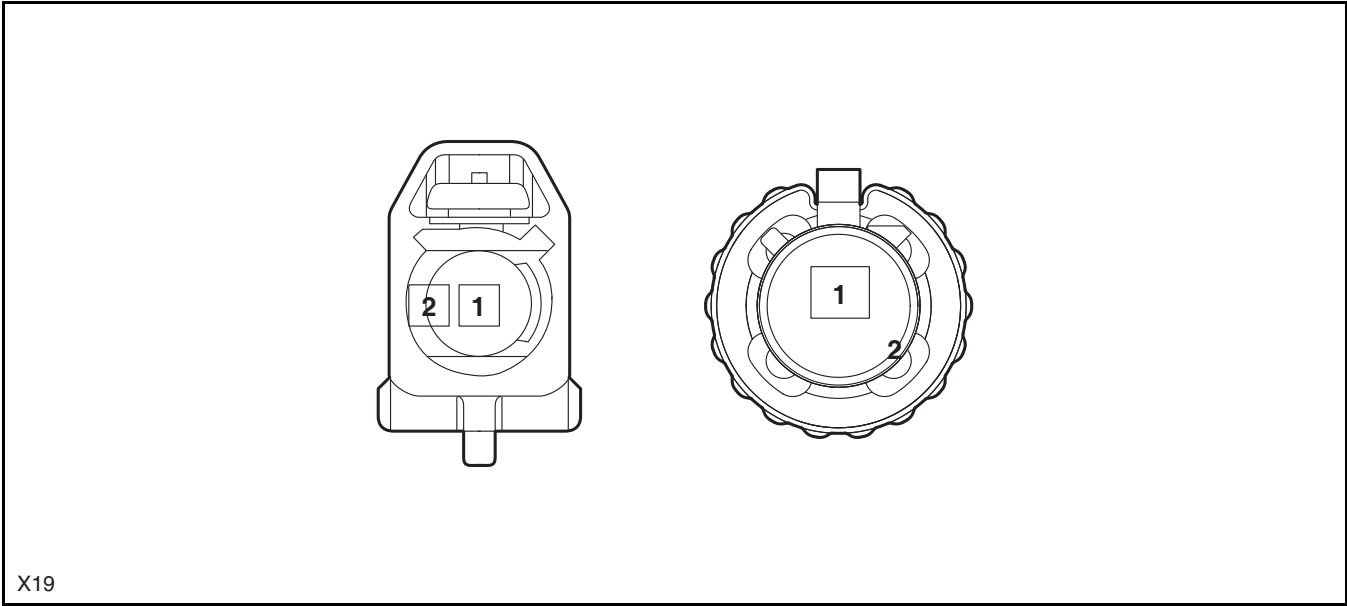
APA to HU (Camera - Rear)

HU (Camera - Rear) to APA



APA to HU (Camera - Right)

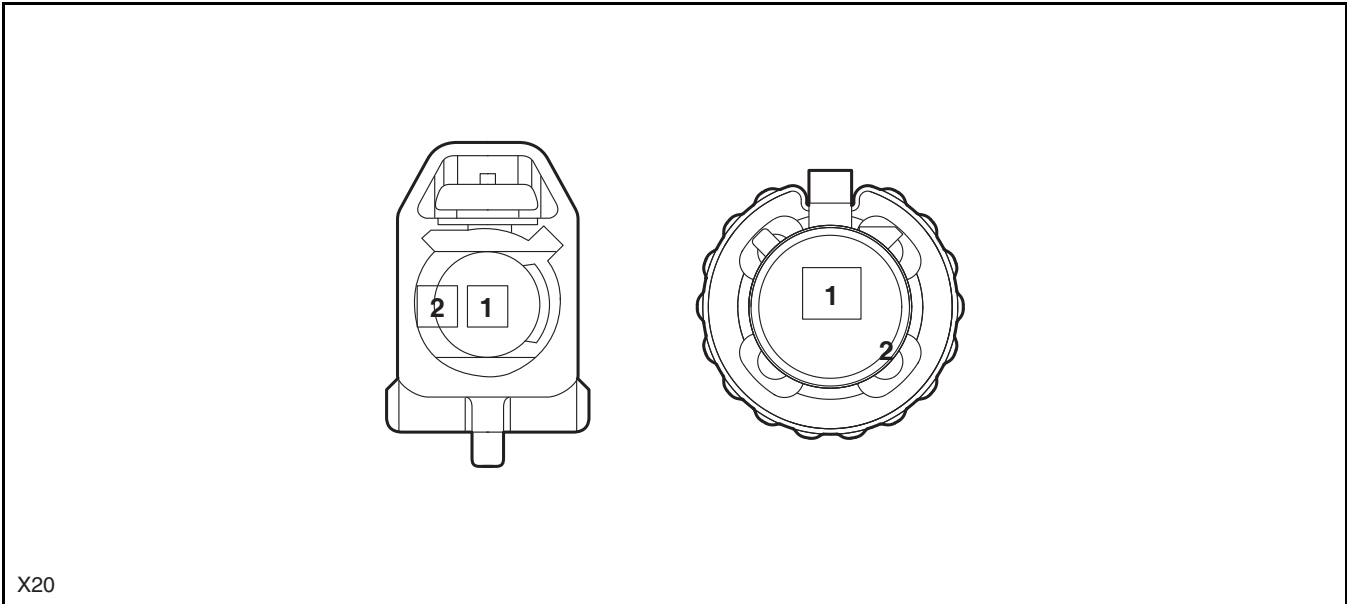
HU (Camera - Right) to APA



X19

APA to HU (Camera - Left)

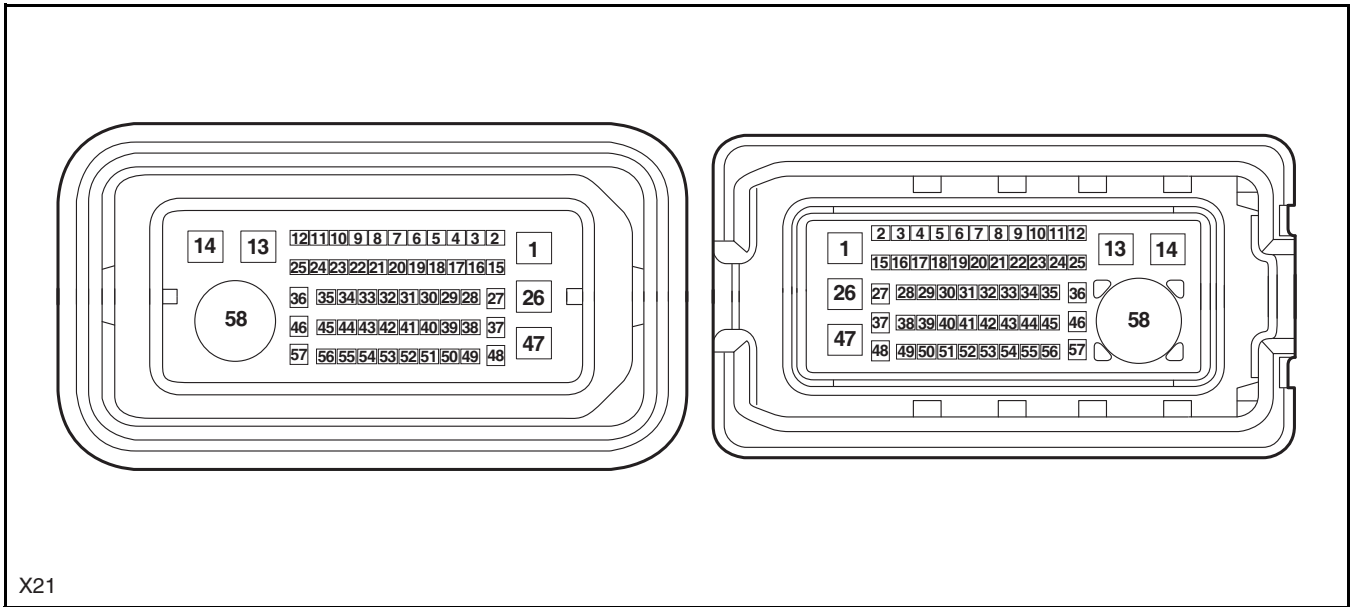
HU (Camera - Left) to APA



X20

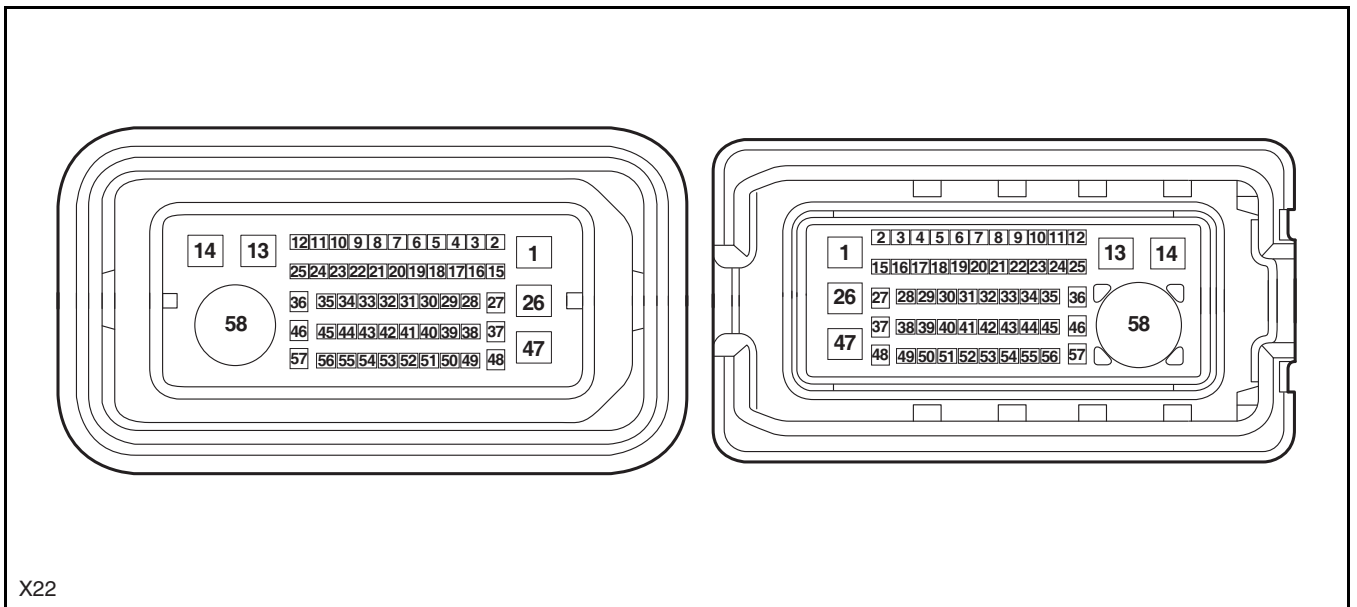
Chassis Wiring Harness to Left Front Door Wiring Harness

Left Front Door Wiring Harness to Chassis Wiring Harness



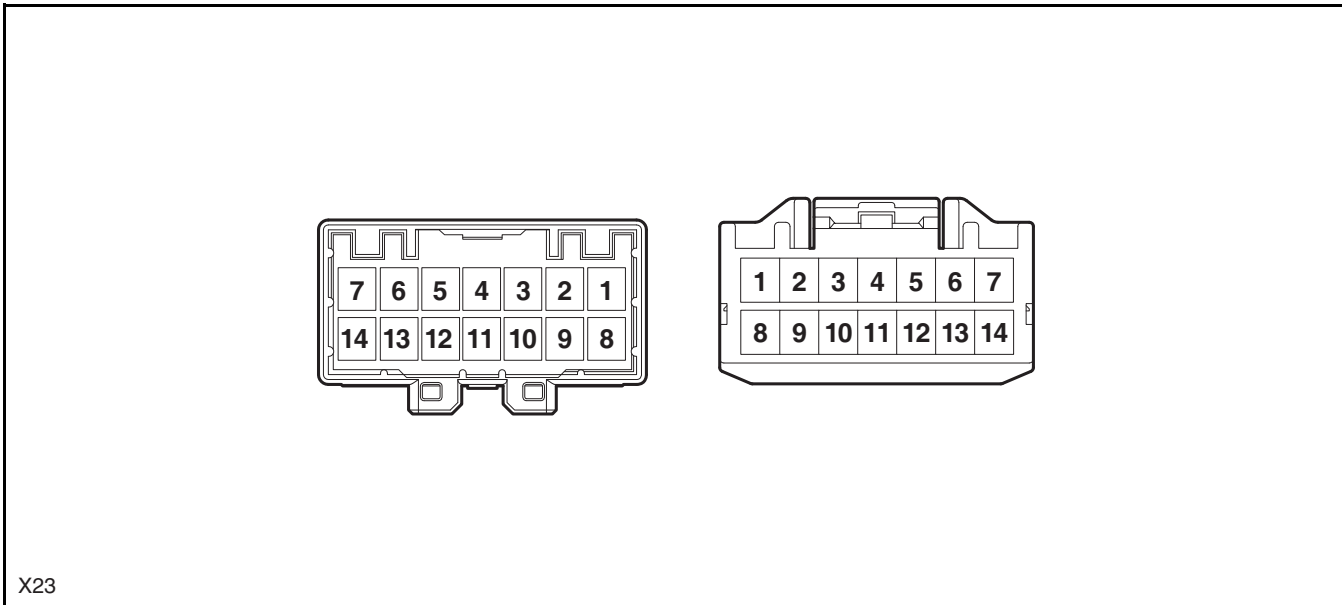
Chassis Wiring Harness to Right Front Door Wiring Harness

Right Front Door Wiring Harness to Chassis Wiring Harness



Chassis Wiring Harness to Left Rear Door Wiring Harness

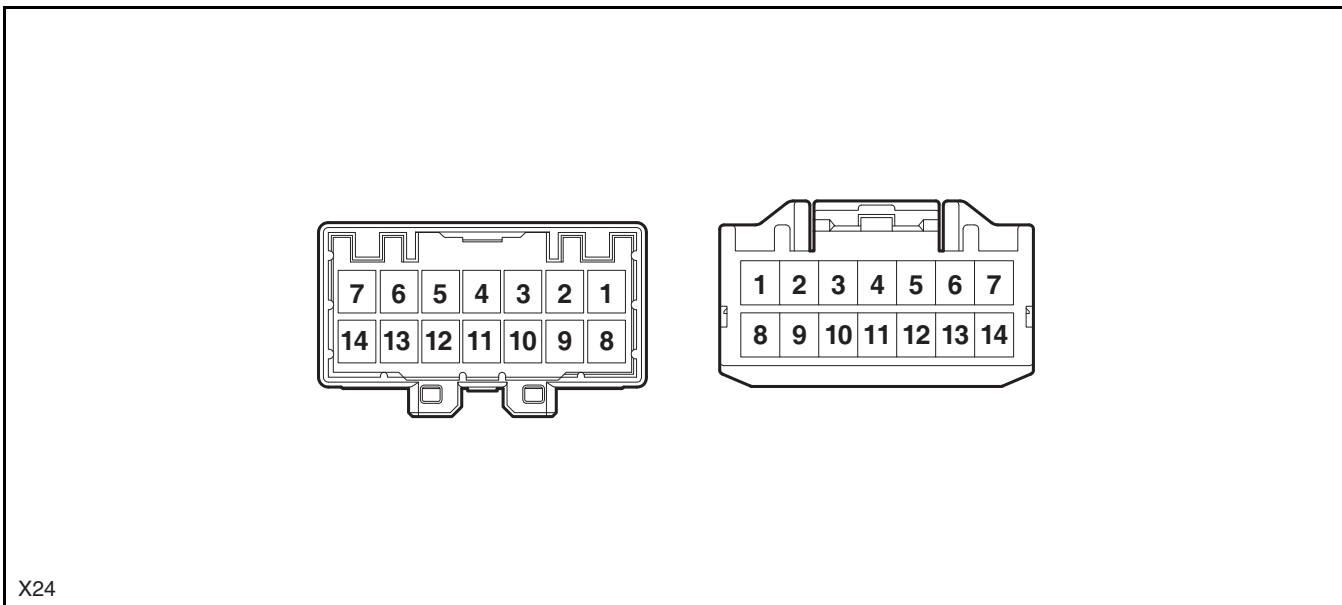
Left Rear Door Wiring Harness to Chassis Wiring Harness



X23

Chassis Wiring Harness to Right Rear Door Wiring Harness

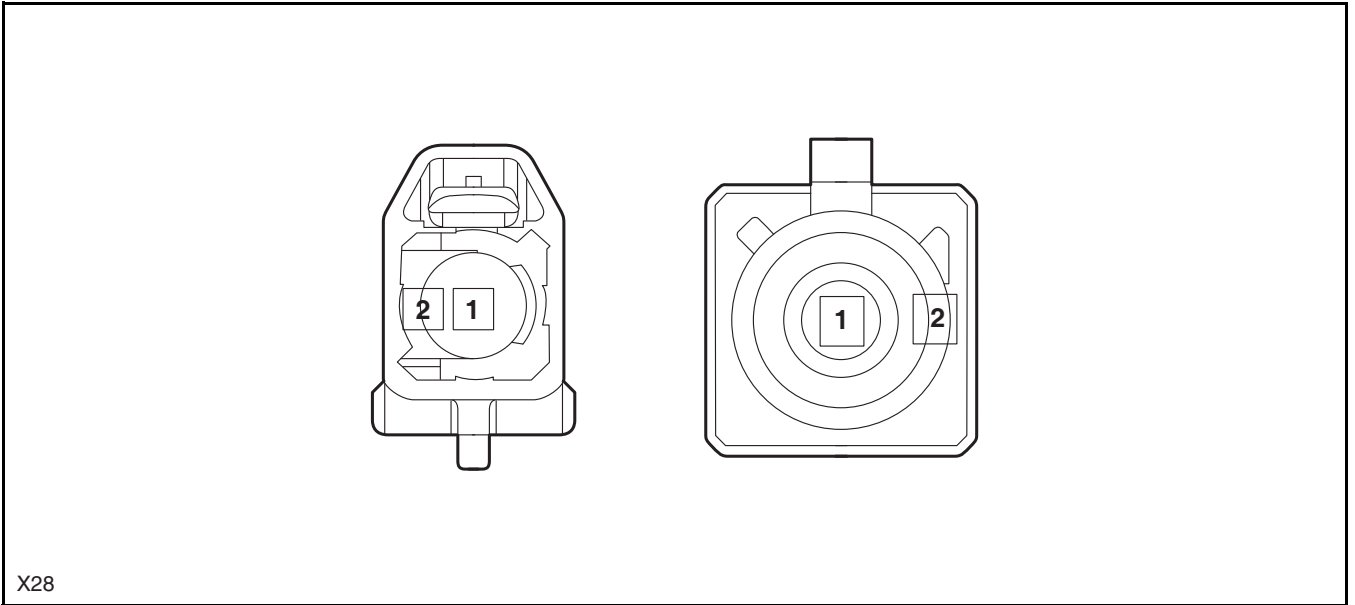
Right Rear Door Wiring Harness to Chassis Wiring Harness



X24

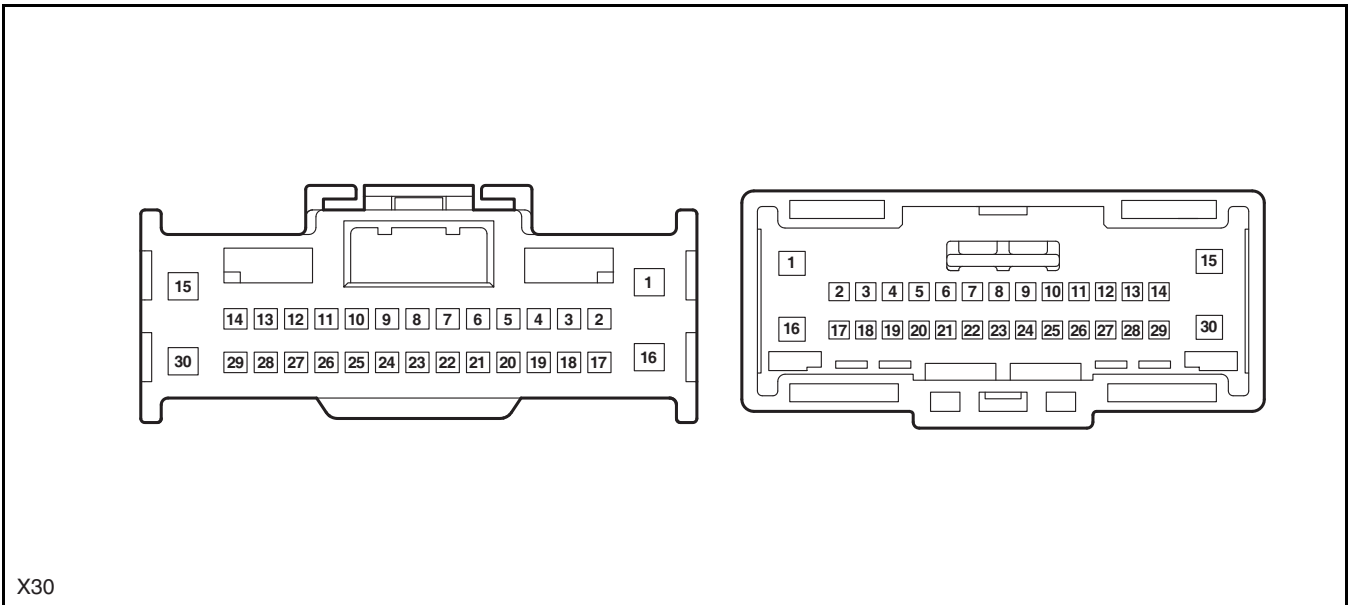
Chassis Wiring Harness to Rear Camera Wiring Harness

Rear Camera Wiring Harness to Chassis Wiring Harness



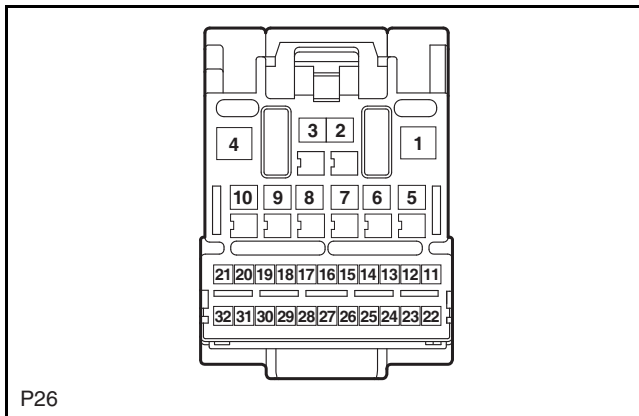
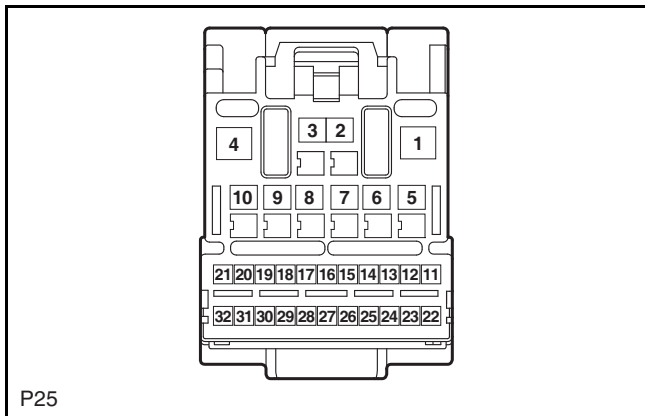
Instrument Panel Wiring Harness to Roof Wiring Harness (Left)

Roof Wiring Harness (Left) to Instrument Panel Wiring Harness



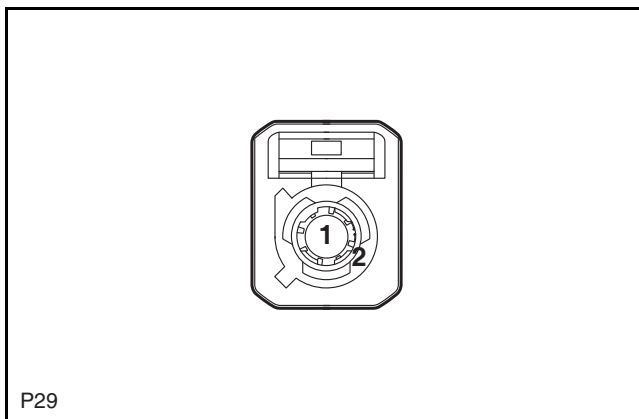
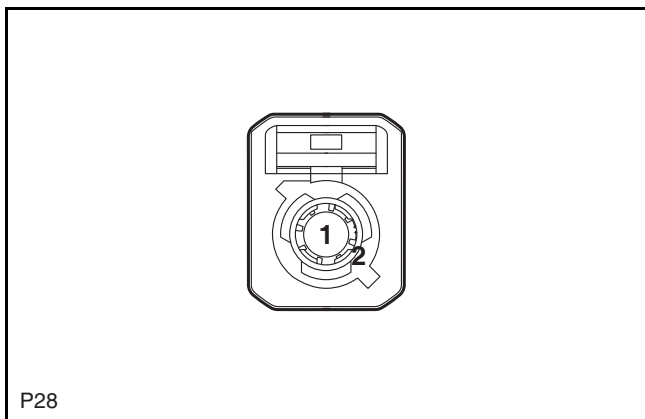
Entertainment and Audio Head Unit - A2

Entertainment and Audio Head Unit - B

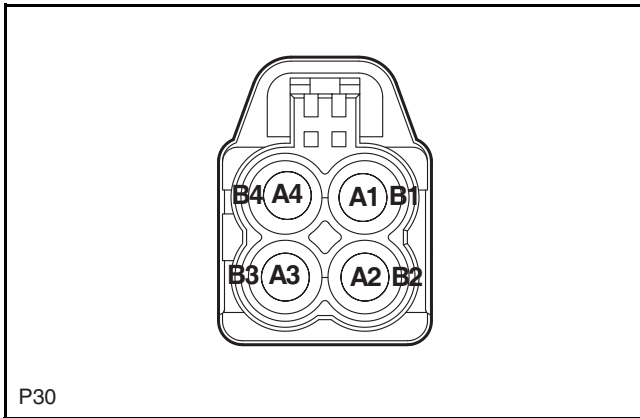


Entertainment and Audio Head Unit (GPS Antenna)

Entertainment and Audio Head Unit (Radio Antenna)

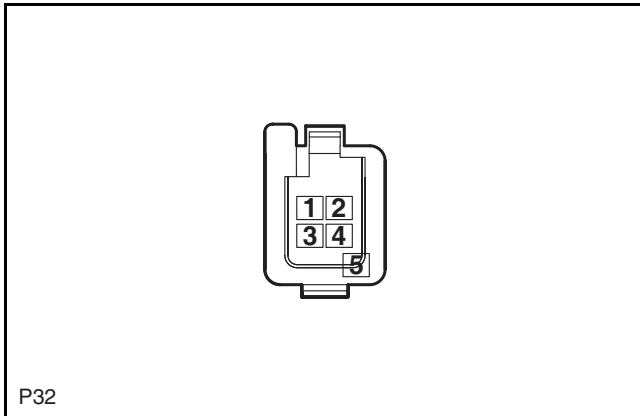


Entertainment and Audio Head Unit (Integrated Panoramic View Controller)



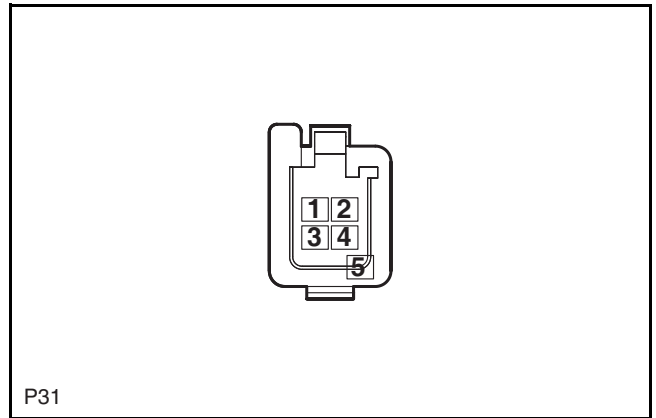
P30

Entertainment and Audio Head Unit (Panoramic Remote Viewing)



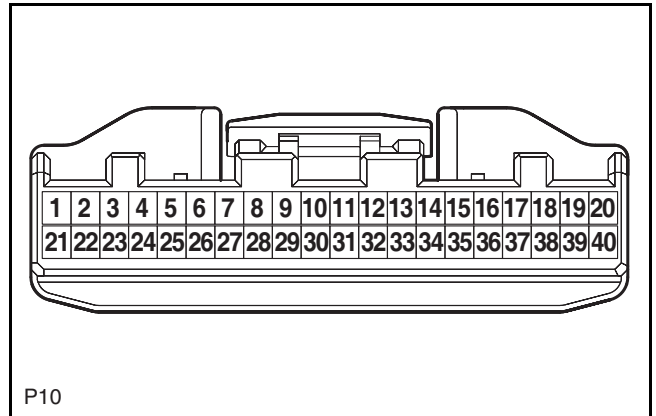
P32

Entertainment and Audio Head Unit (USB for Instrument Cluster)



P31

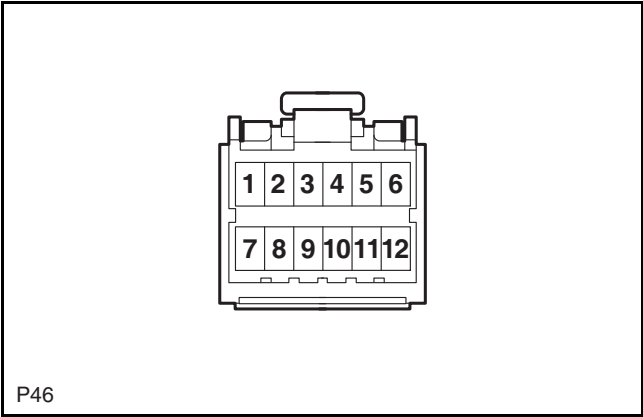
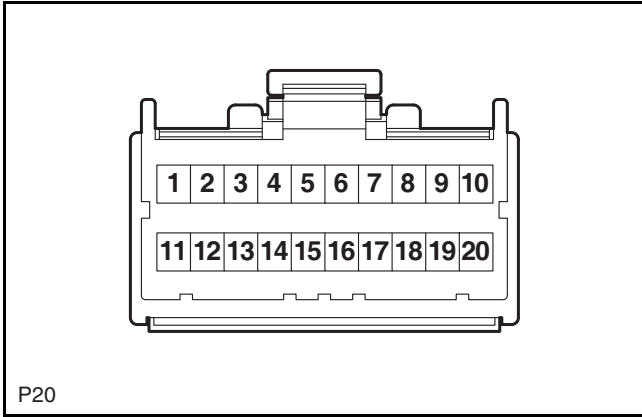
T-BOX



P10

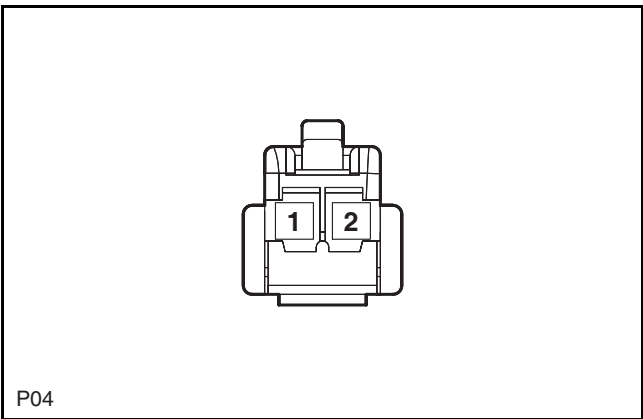
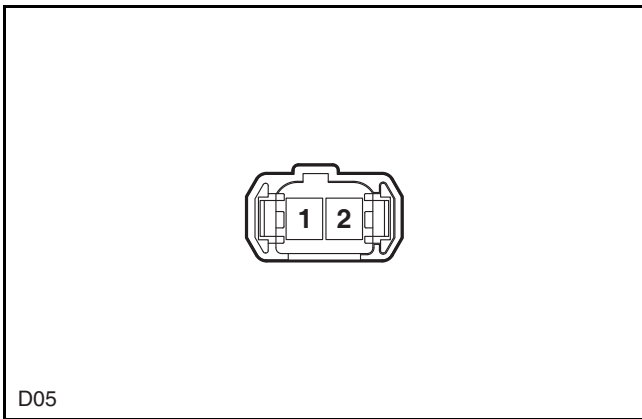
Central Box Switch Box

Central Box Switch Box (Low Configuration)

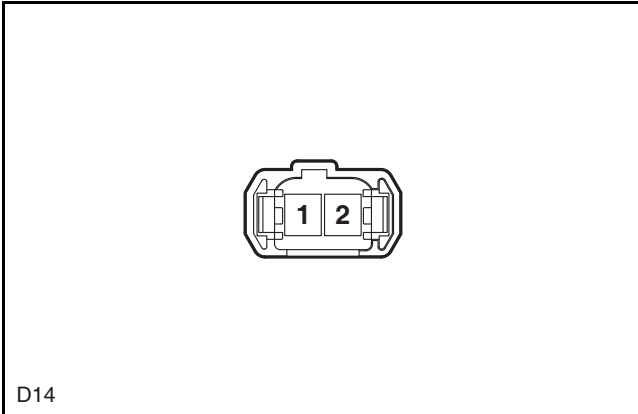


Left Front Woofer

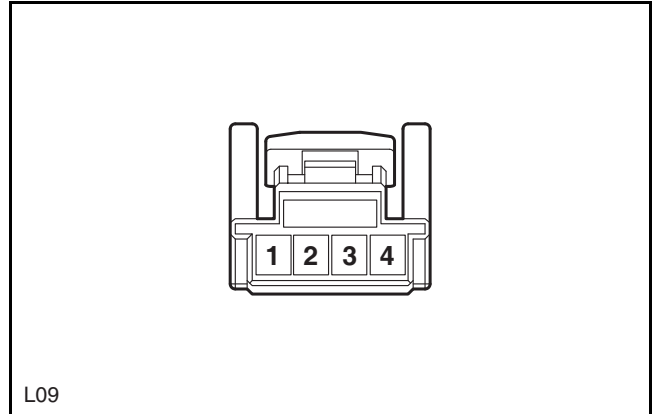
Left Front Tweeter



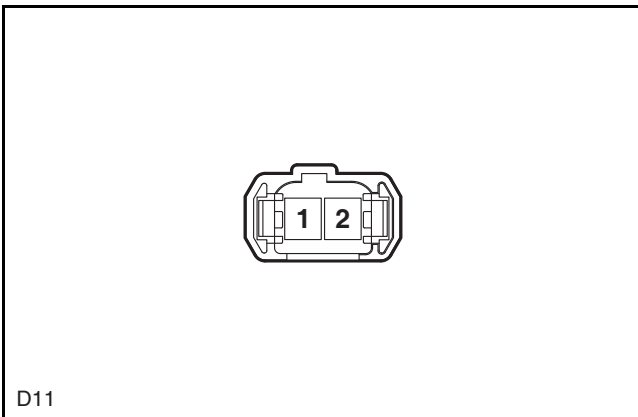
Left Rear Woofer



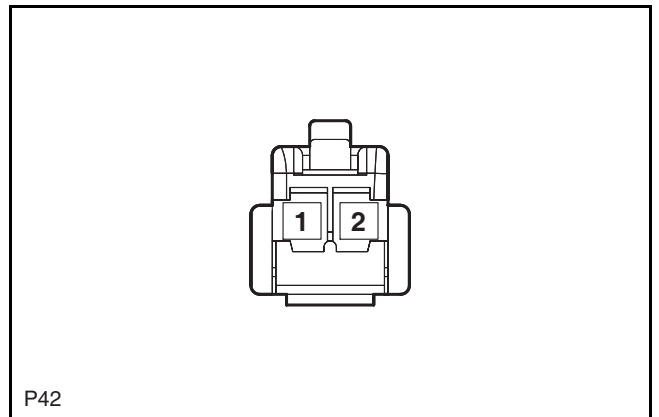
Microphone



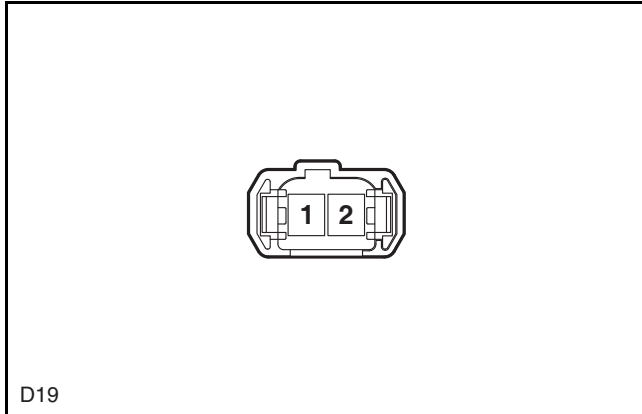
Right Front Woofer



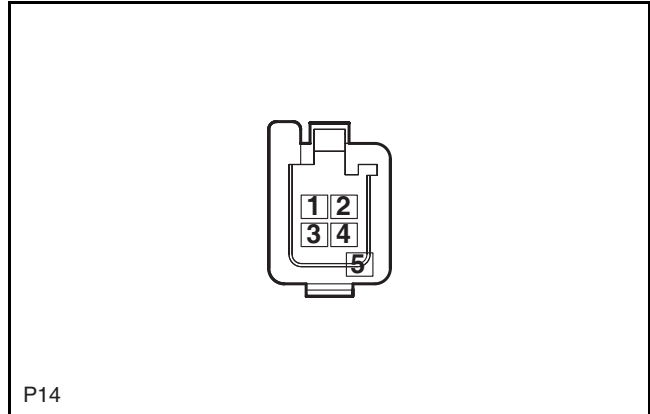
Right Front Tweeter



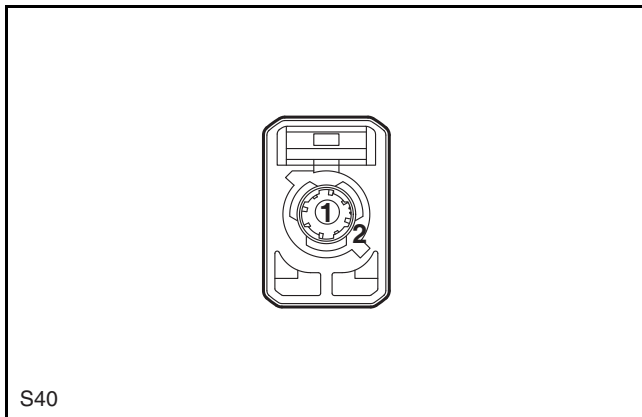
Right Rear Woofer



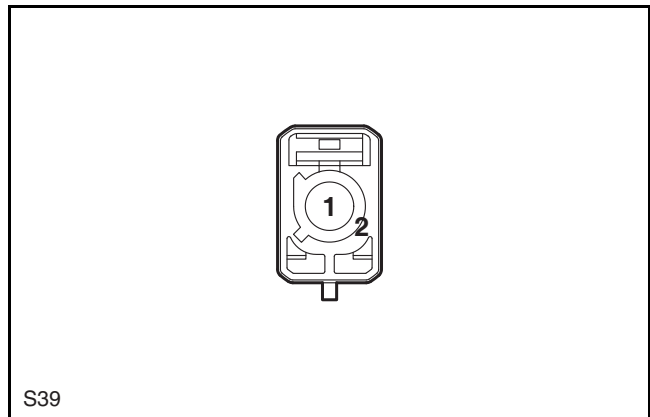
Instrument Cluster Head Unit Controller (Display)



GPS Antenna

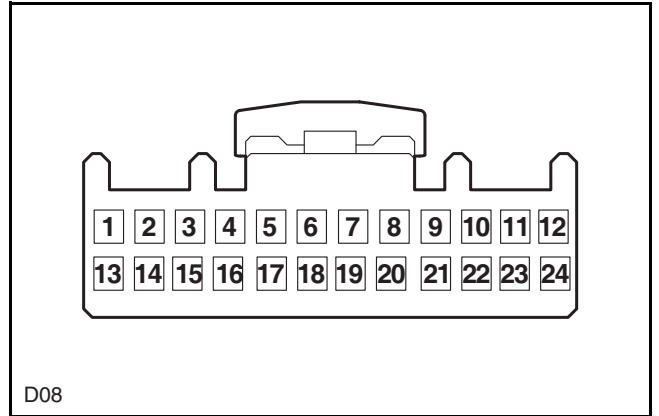
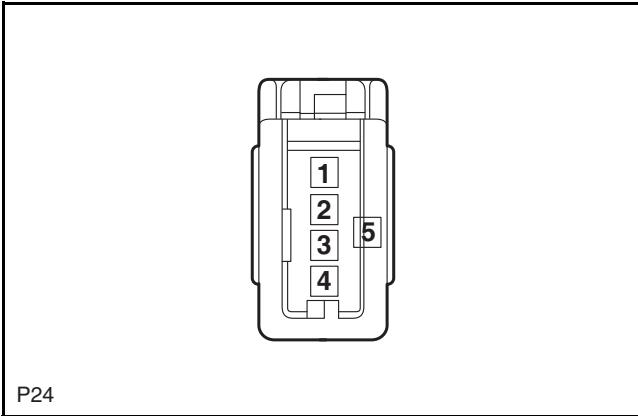


Radio/DVD



TF - Slot

Right Front Door Rearview Mirror (Standard Definition
Right Panoramic View Camera)

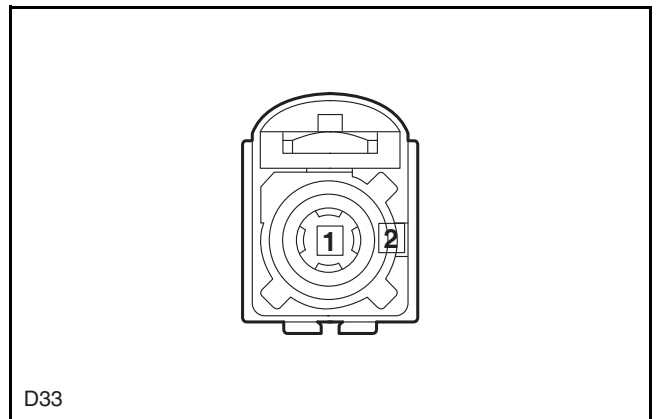
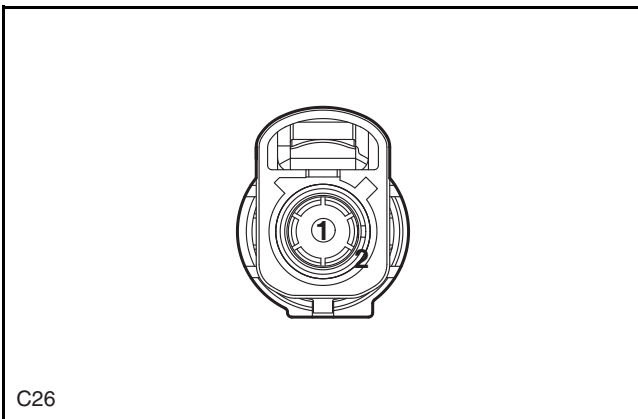


P24

D08

HD Panoramic Front Camera

HD Panoramic Rear Camera

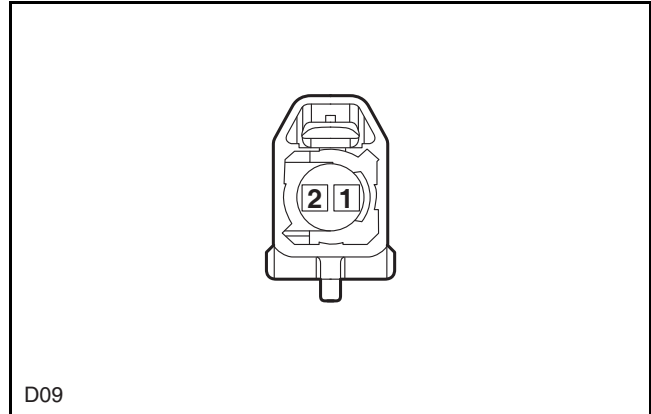
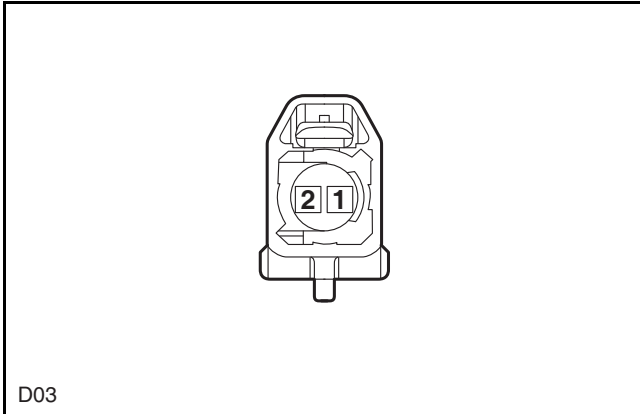


C26

D33

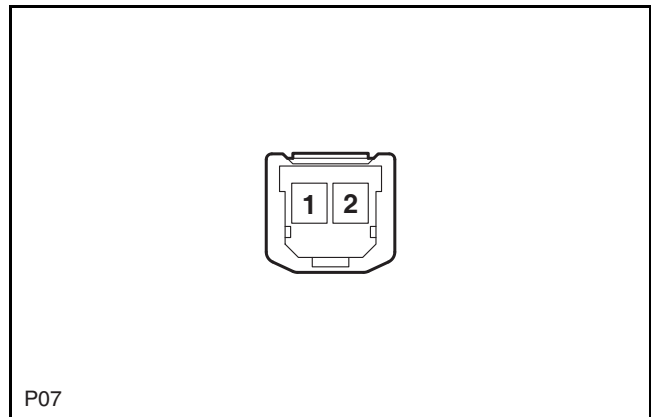
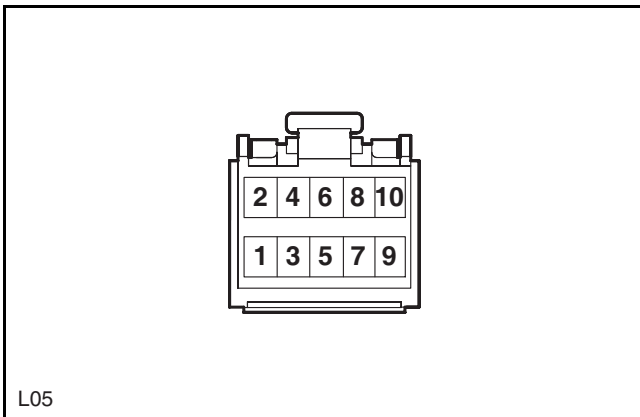
Left Panoramic View Camera

Right Panoramic View Camera

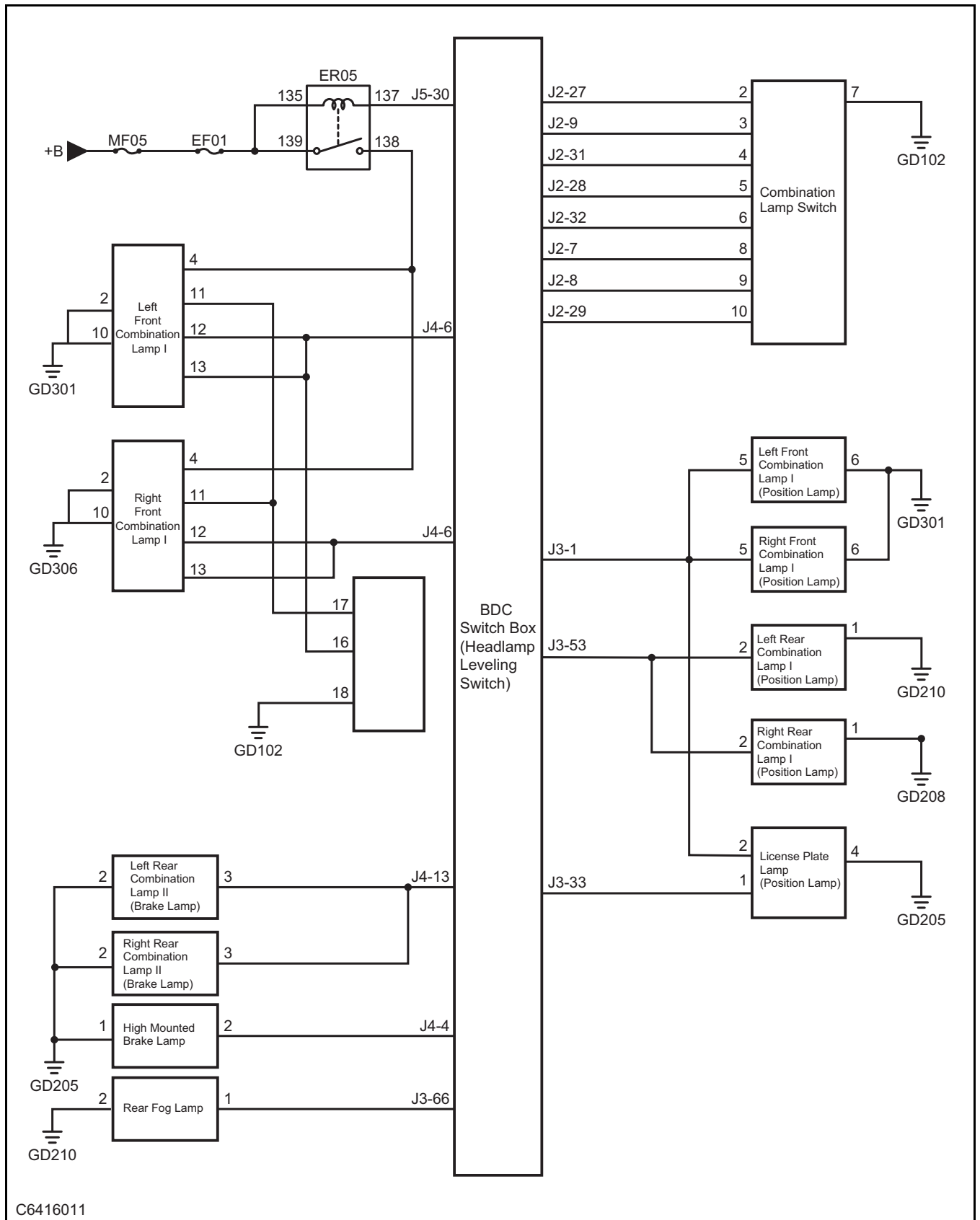


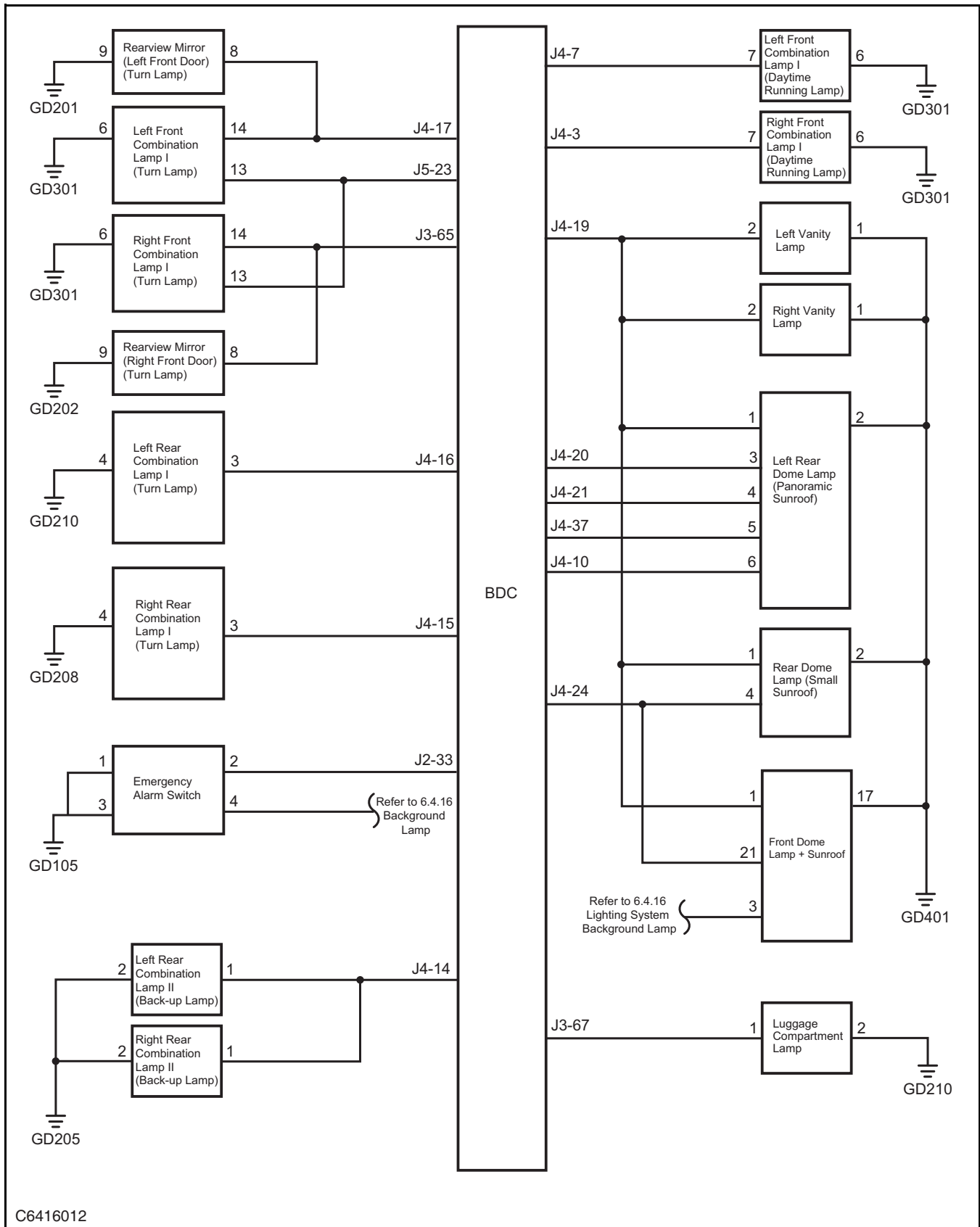
SOS Switch

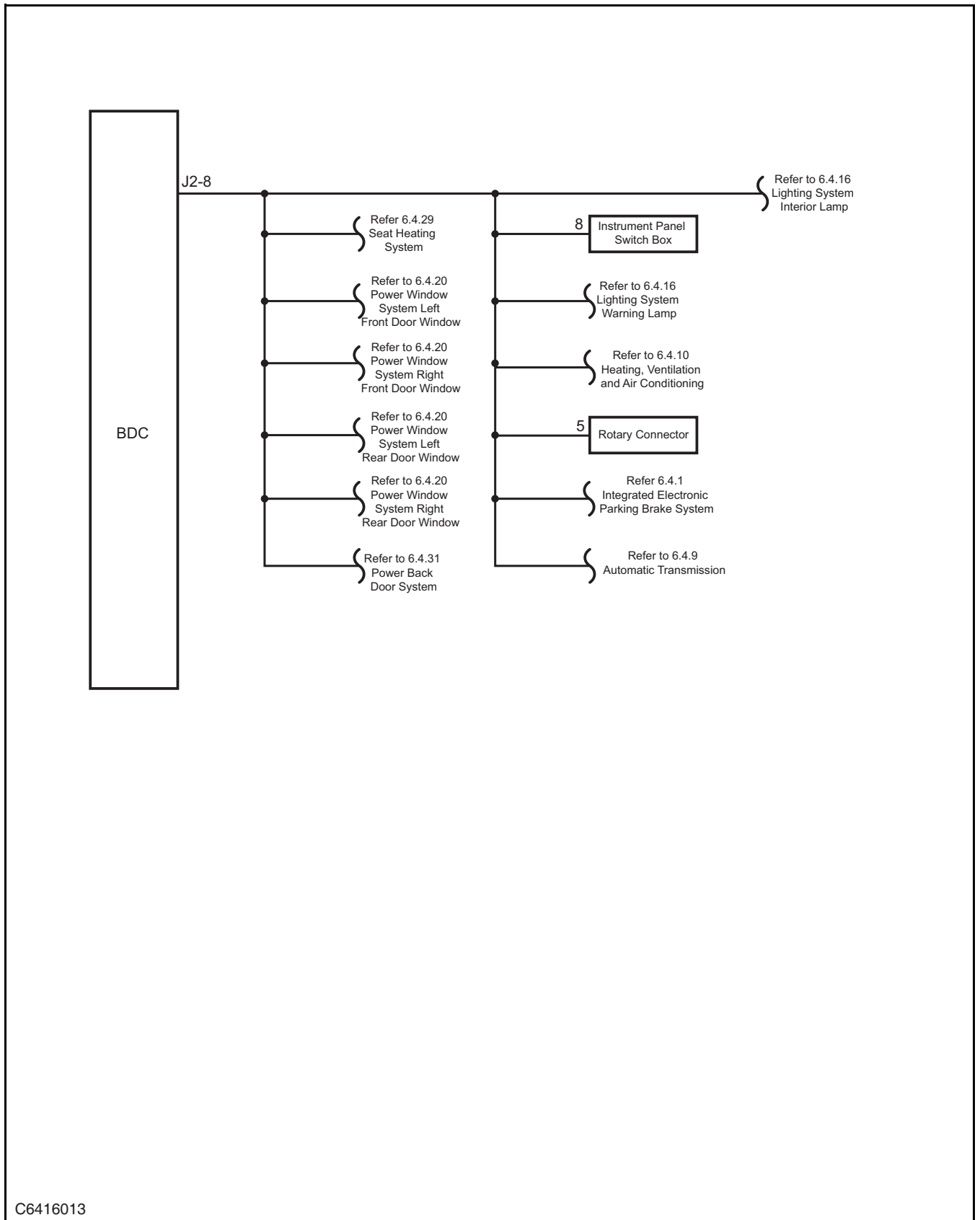
Emergency Alarm Speaker



Lighting System

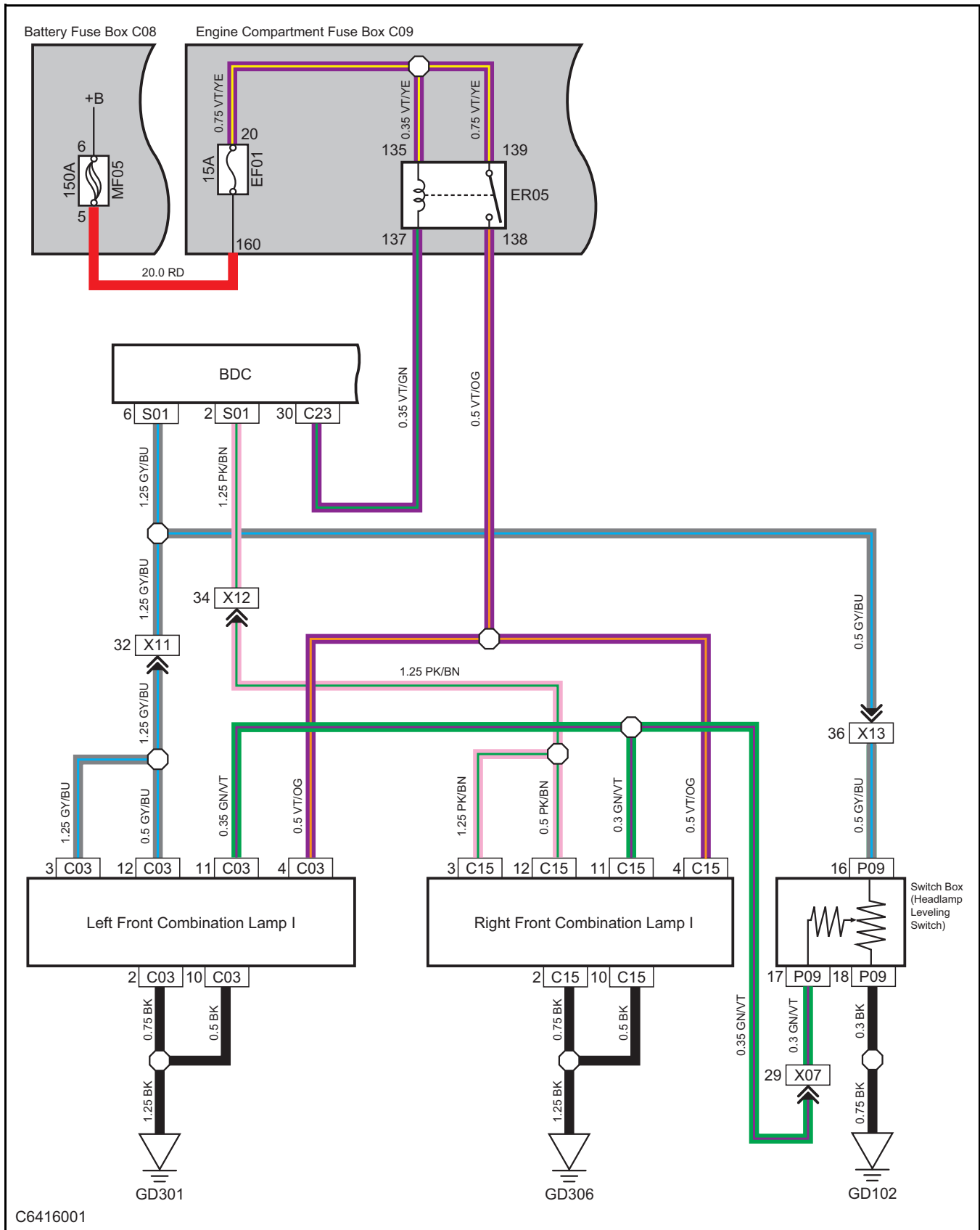




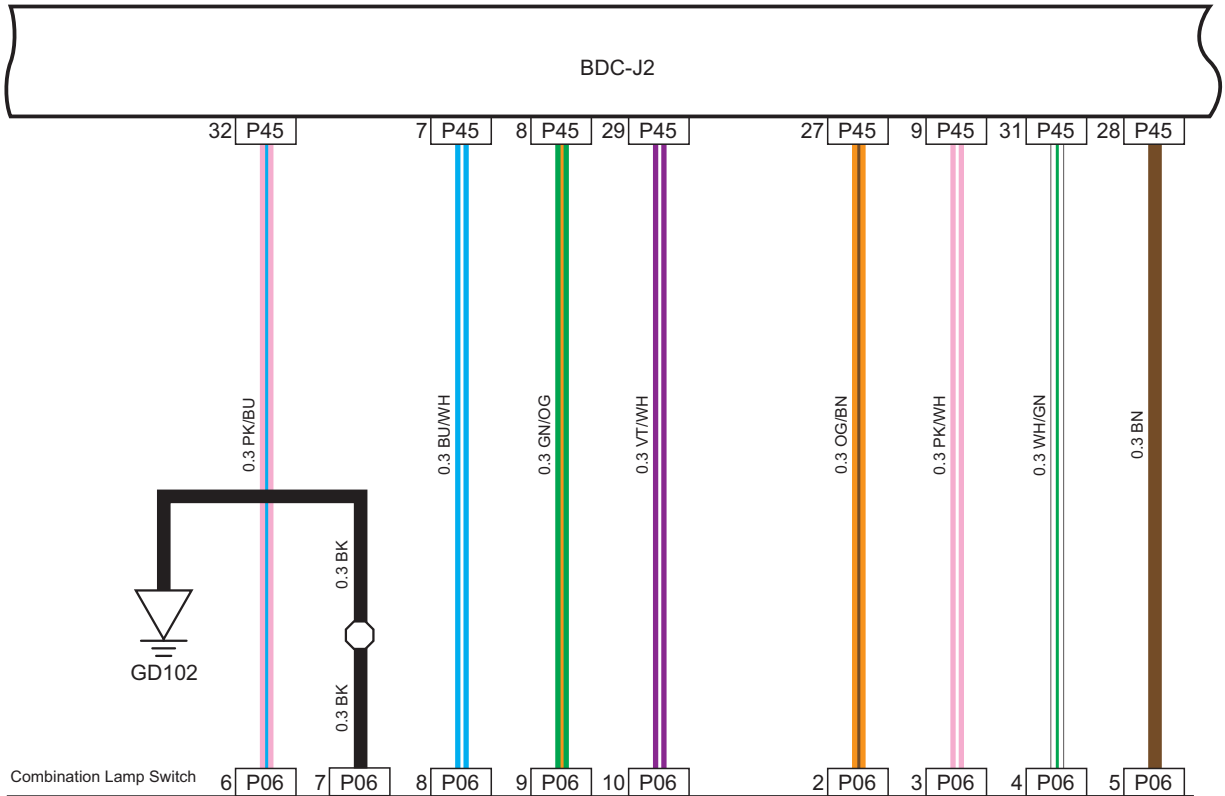


C6416013

Headlamp



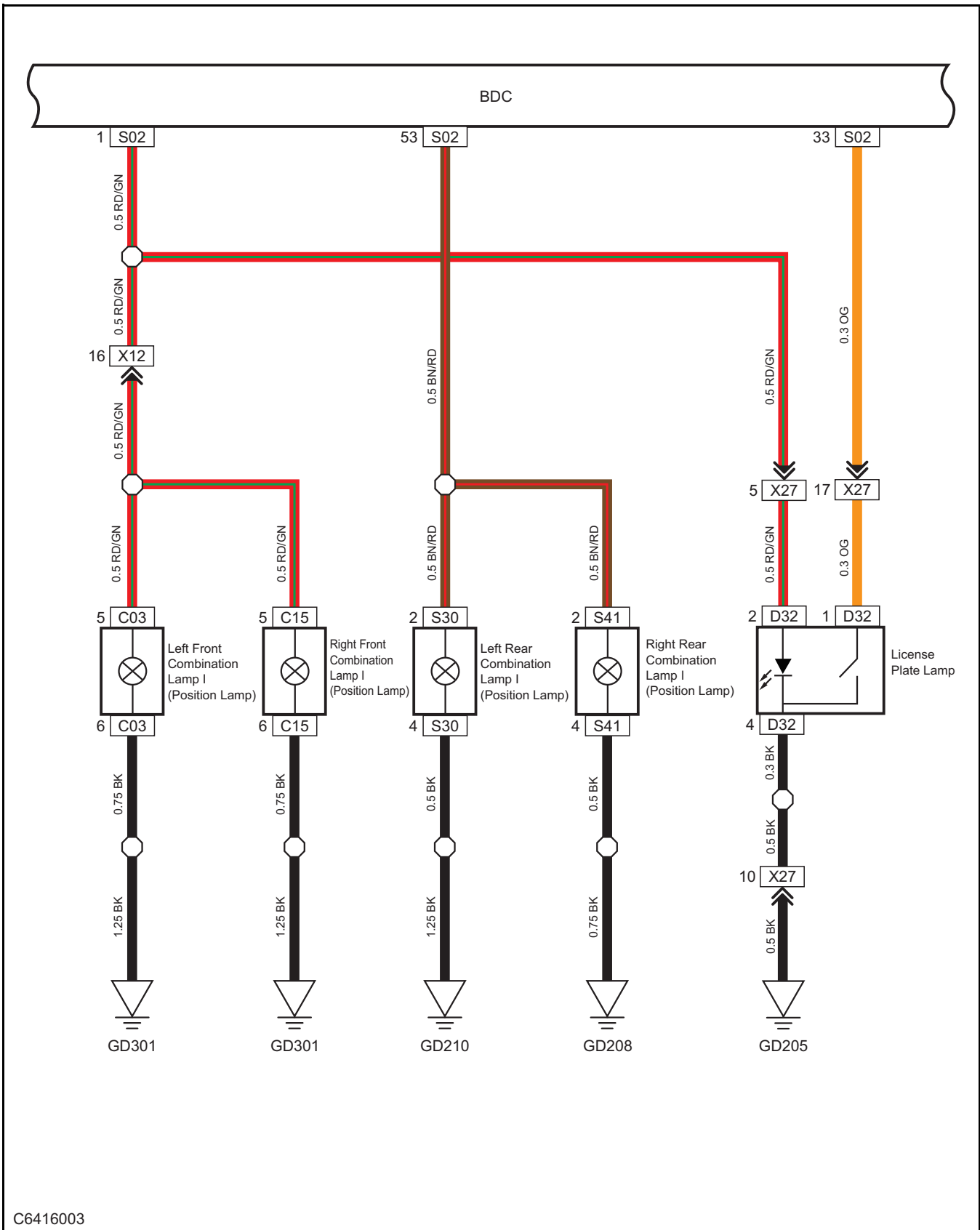
Combination Lamp Switch



Combination Lamp Switch		6 P06	7 P06	8 P06	9 P06	10 P06		2 P06	3 P06	4 P06	5 P06
	OFF	Position Lamp Switch	Grounding	AUTO	Low Beam	Left Turn Lamp		Rear Fog Lamp	High Beam	Overtaking	Right Turn
Light Switch ON-OFF	Position Lamp	<input type="checkbox"/>	<input type="checkbox"/>								
	Headlamp	<input type="checkbox"/>	<input type="checkbox"/>	<input type="checkbox"/>	<input type="checkbox"/>						
	Automatic		<input type="checkbox"/>	<input type="checkbox"/>							
Fog Lamp Switch ON-OFF	OFF										
	Front Fog Lamp		<input type="checkbox"/>			<input type="checkbox"/>					
	Rear Fog Lamp		<input type="checkbox"/>			<input type="checkbox"/>	<input type="checkbox"/>				
High Beam Overtaking ON-OFF	OFF										
	High Beam		<input type="checkbox"/>					<input type="checkbox"/>			
	Overtaking		<input type="checkbox"/>						<input type="checkbox"/>		
Steering Switch ON-OFF	Left Turn		<input type="checkbox"/>			<input type="checkbox"/>					
	OFF										
	Right Turn		<input type="checkbox"/>								<input type="checkbox"/>

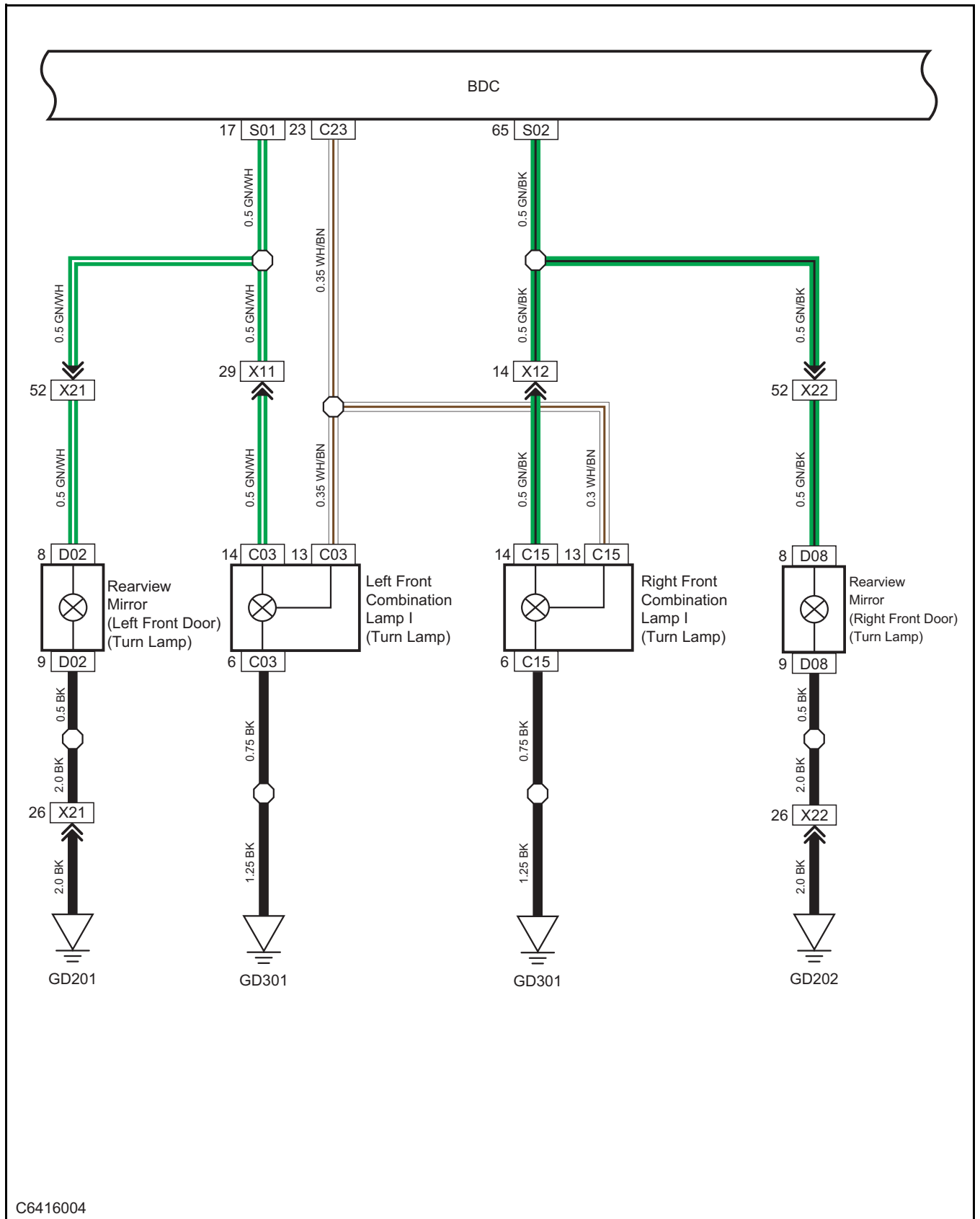
C6416002

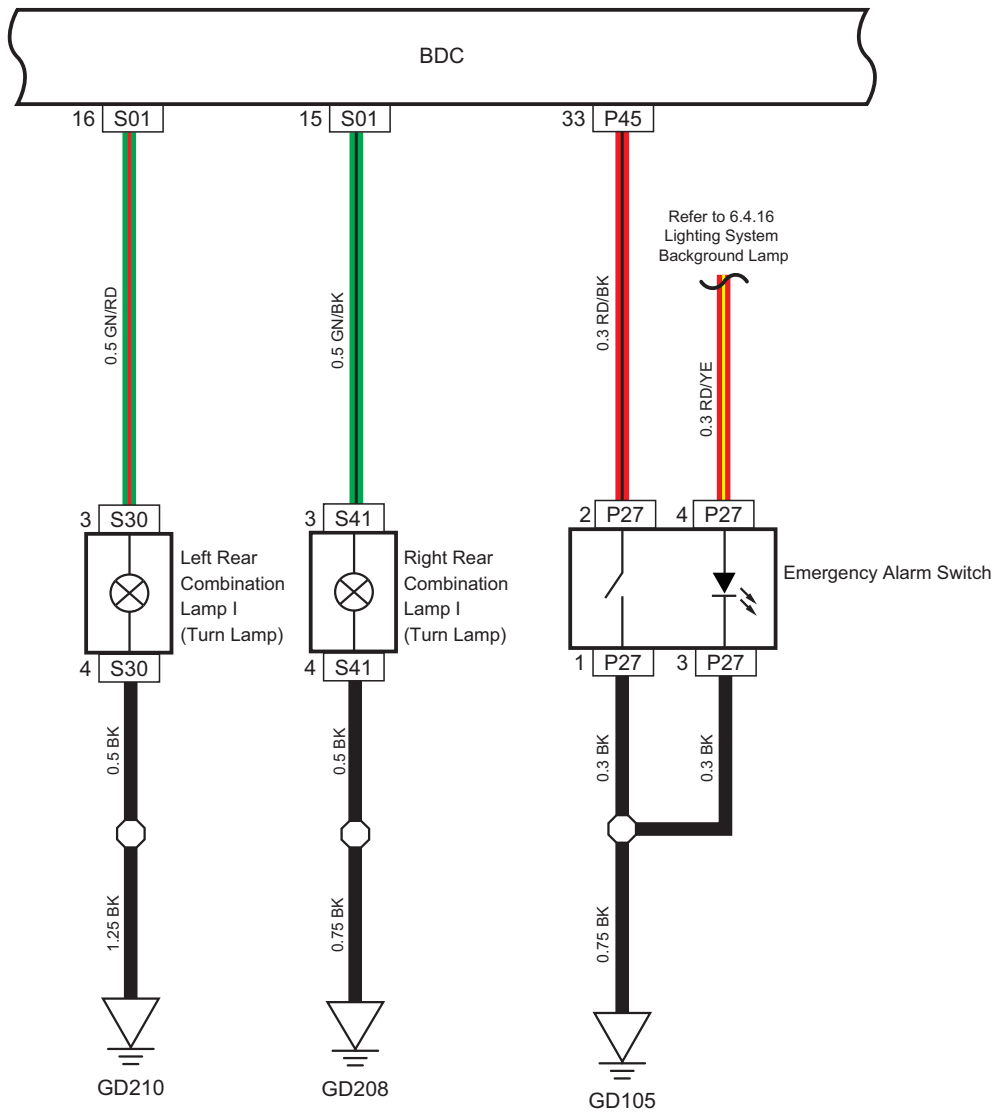
Position Lamp



C6416003

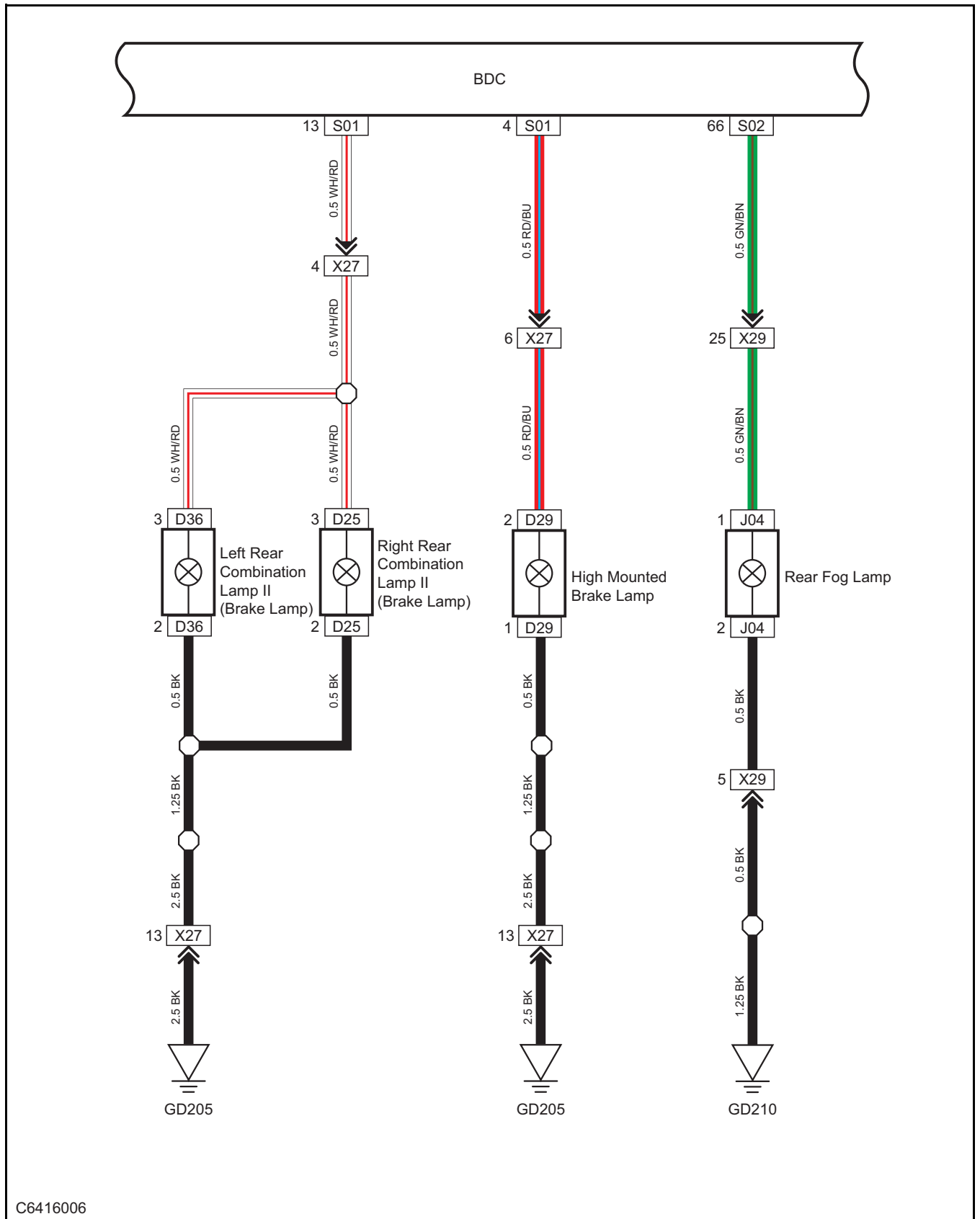
Turn/Warning Lamp





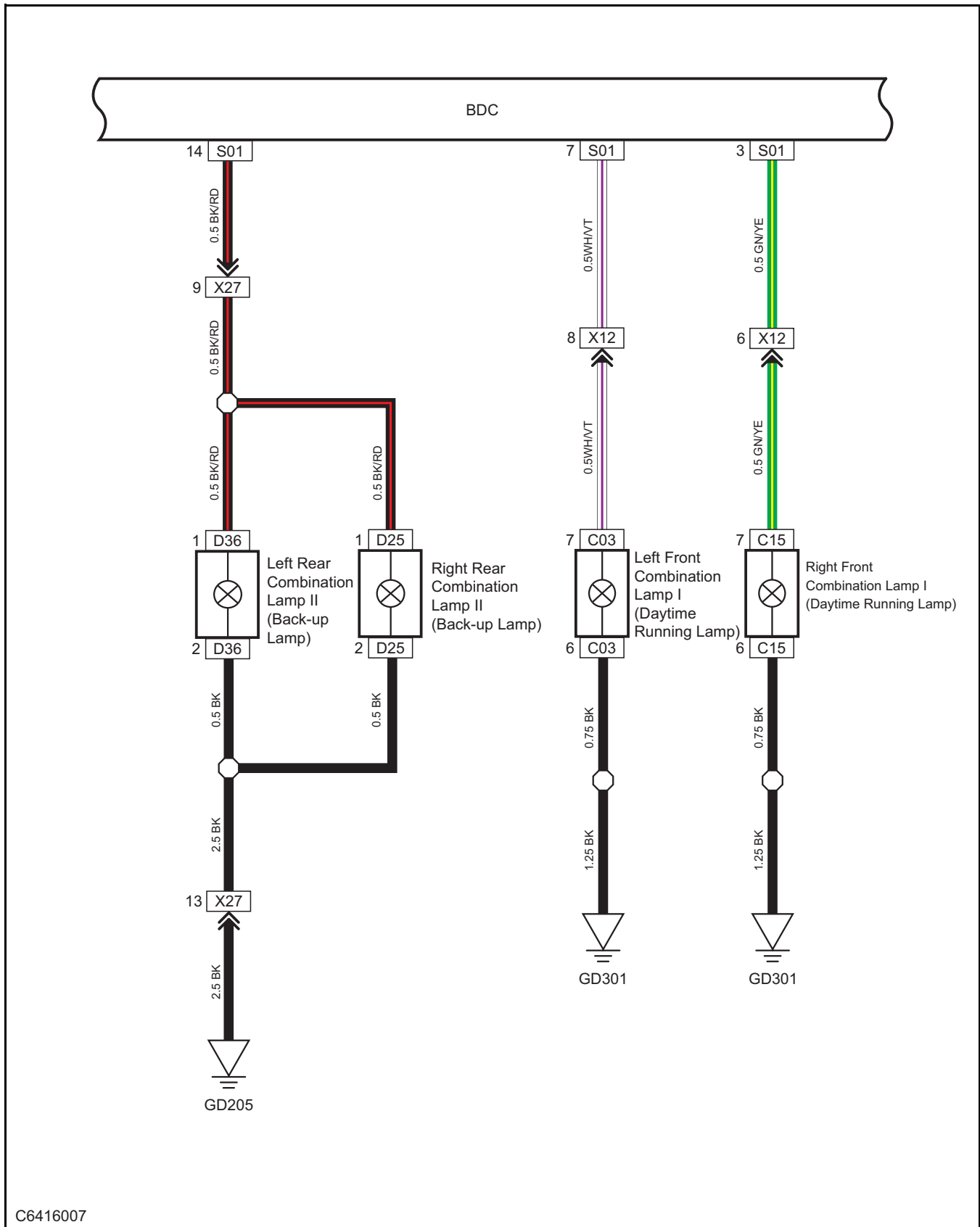
C6416005

Brake Lamp/Rear Fog Lamp



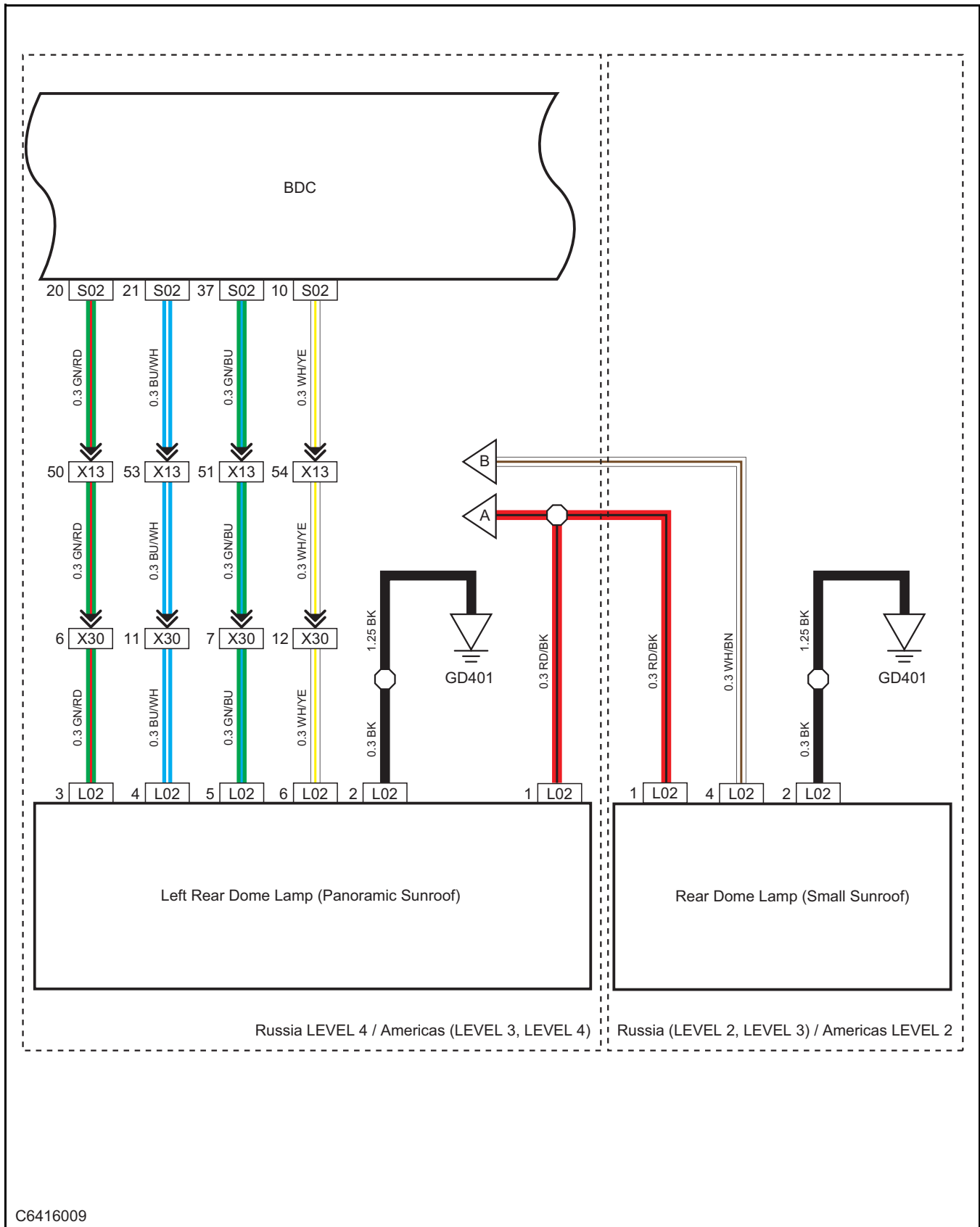
C6416006

Reversing Lamp/Daytime Running Lamp

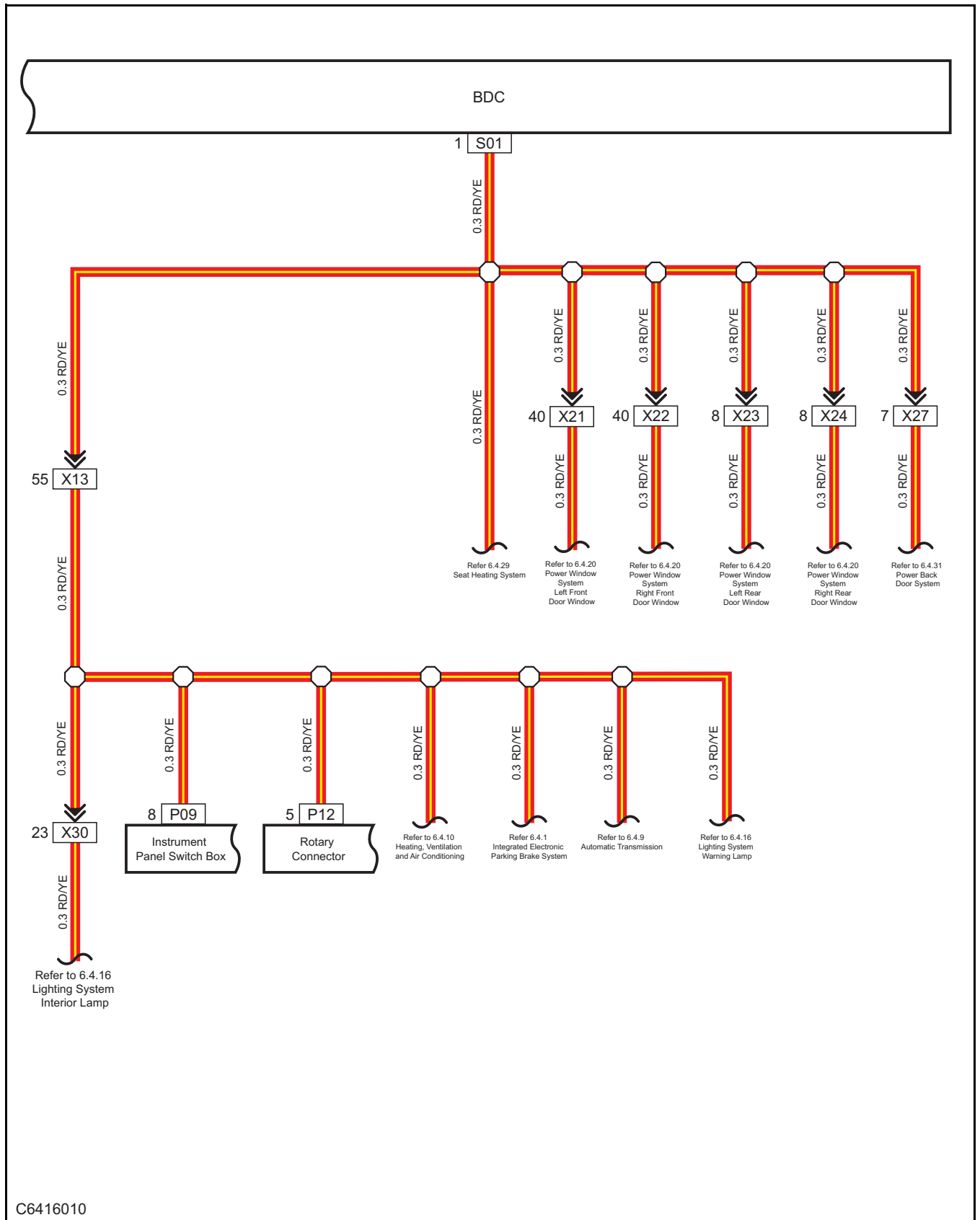


C6416007

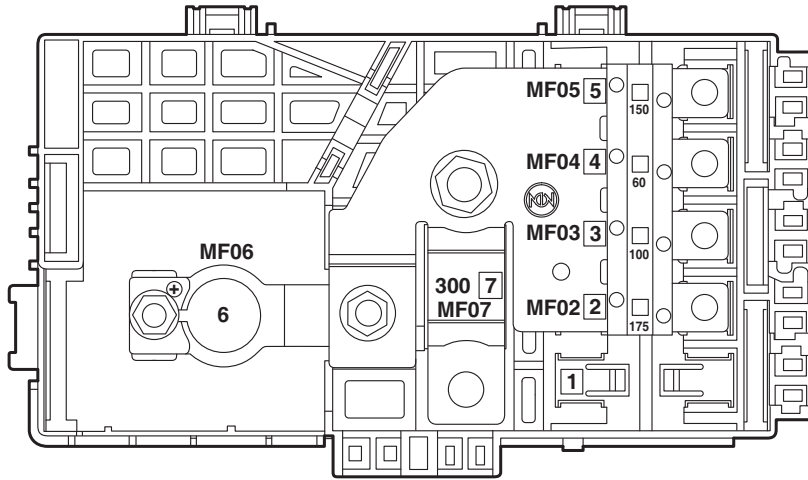
Indoor Lamp-2



Background Lamp

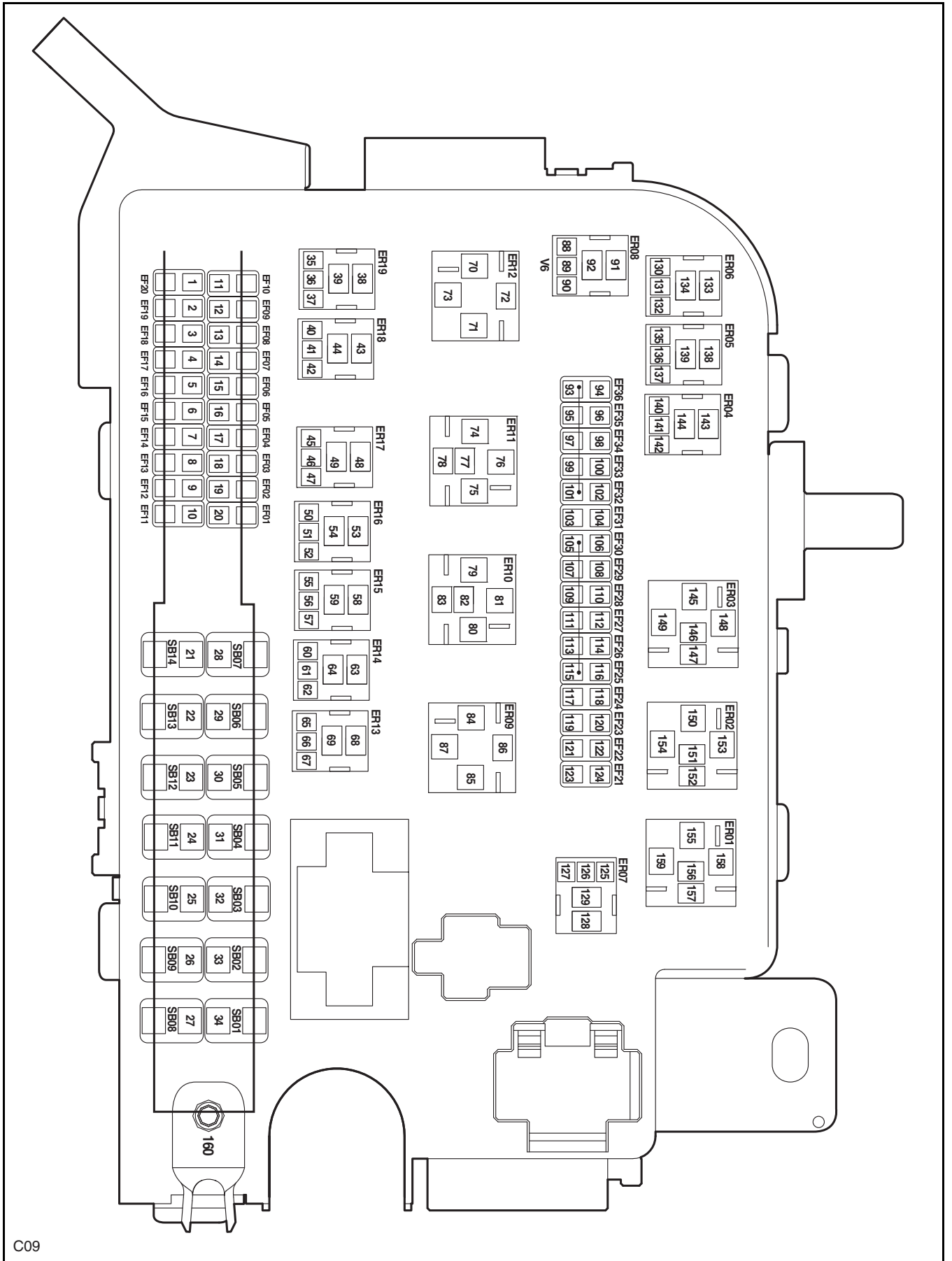


Battery Fuse Box



C08

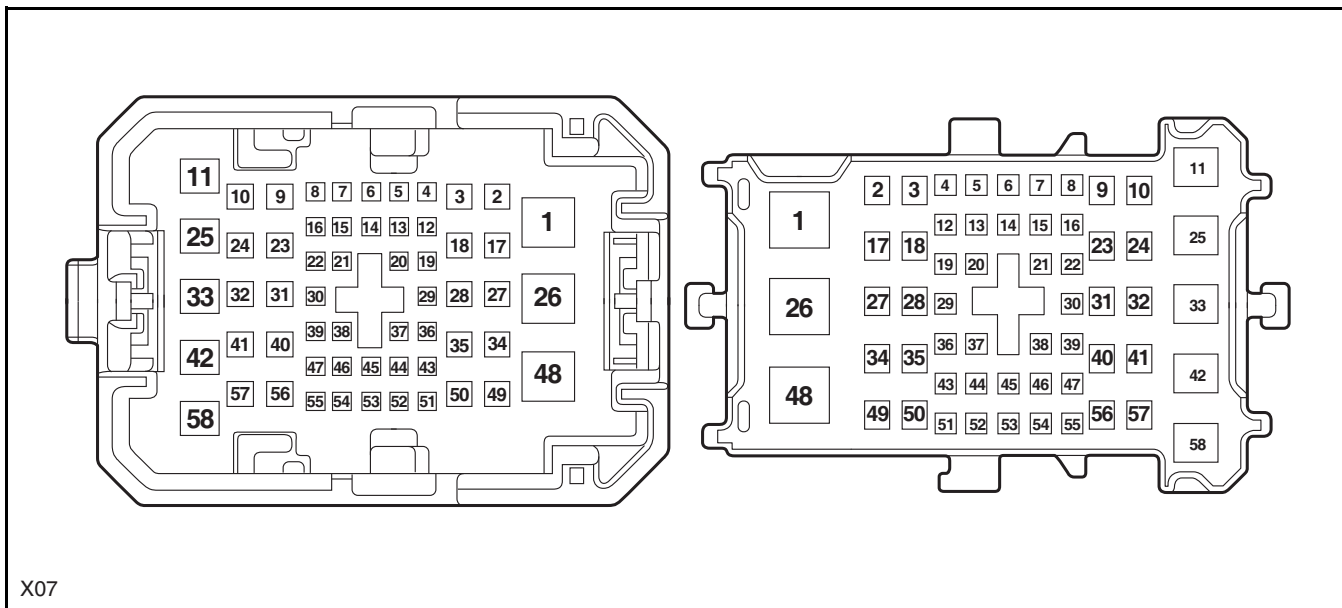
Engine Compartment Fuse Box



C09

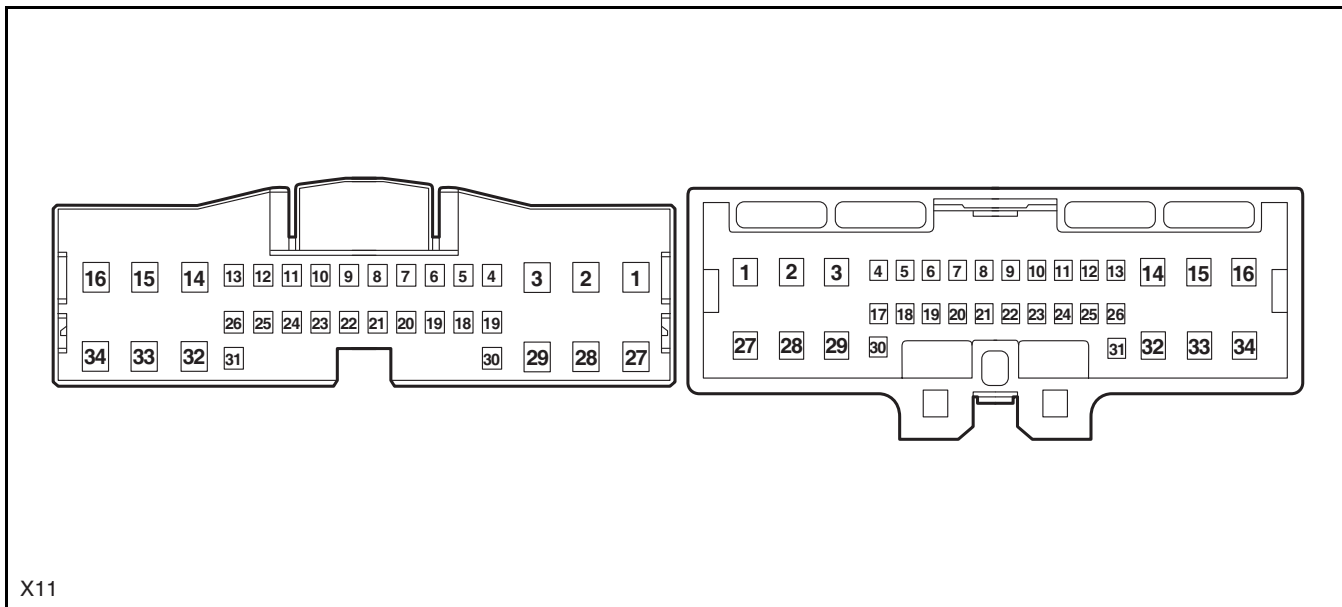
Engine Compartment Wiring Harness to Instrument Panel Wiring Harness (Left 1)

Instrument Panel Wiring Harness (Left 1) to Engine Compartment Wiring Harness



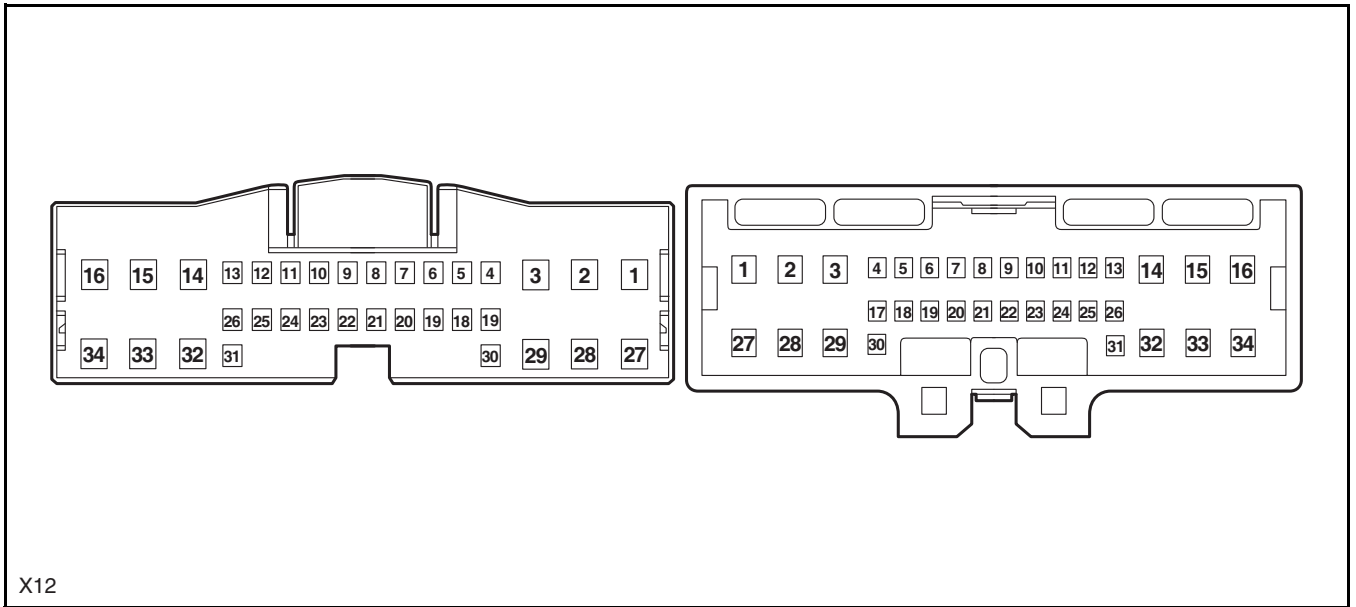
Engine Compartment Wiring Harness to Chassis Wiring Harness (Left 1)

Chassis Wiring Harness (Left 1) to Engine Compartment Wiring Harness



Engine Compartment Wiring Harness to Chassis Wiring Harness (Right 1)

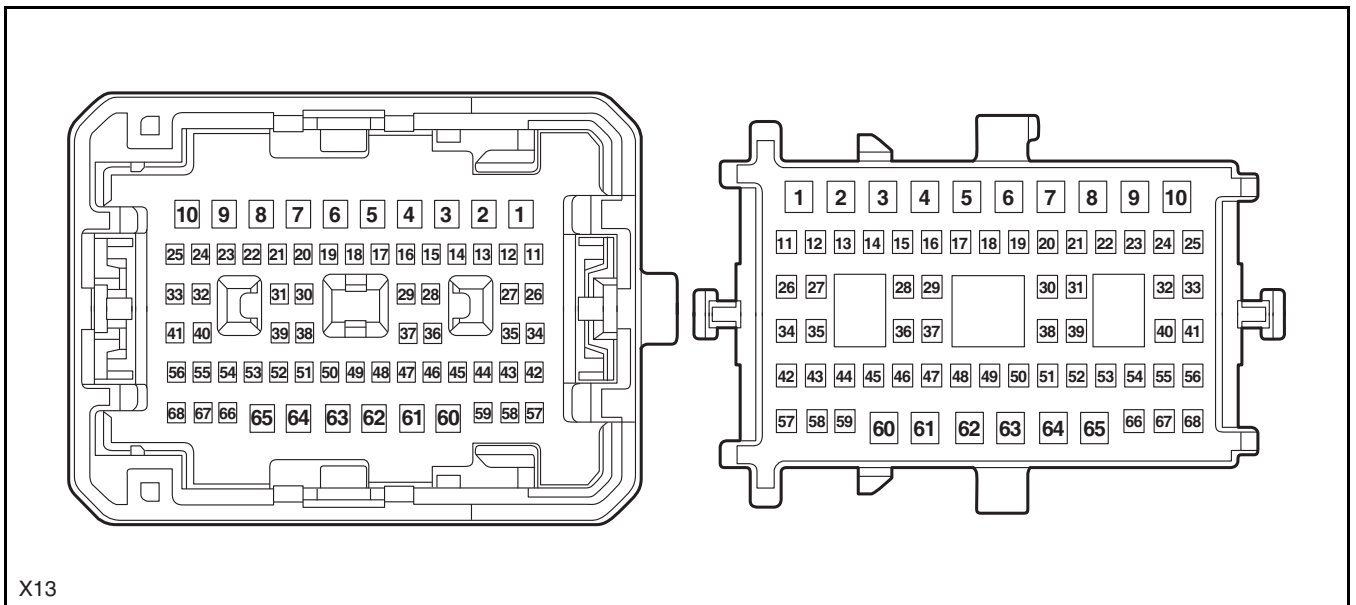
Chassis Wiring Harness (Right 1) to Engine Compartment Wiring Harness



X12

Chassis Wiring Harness to Instrument Panel Wiring Harness (Left 1)

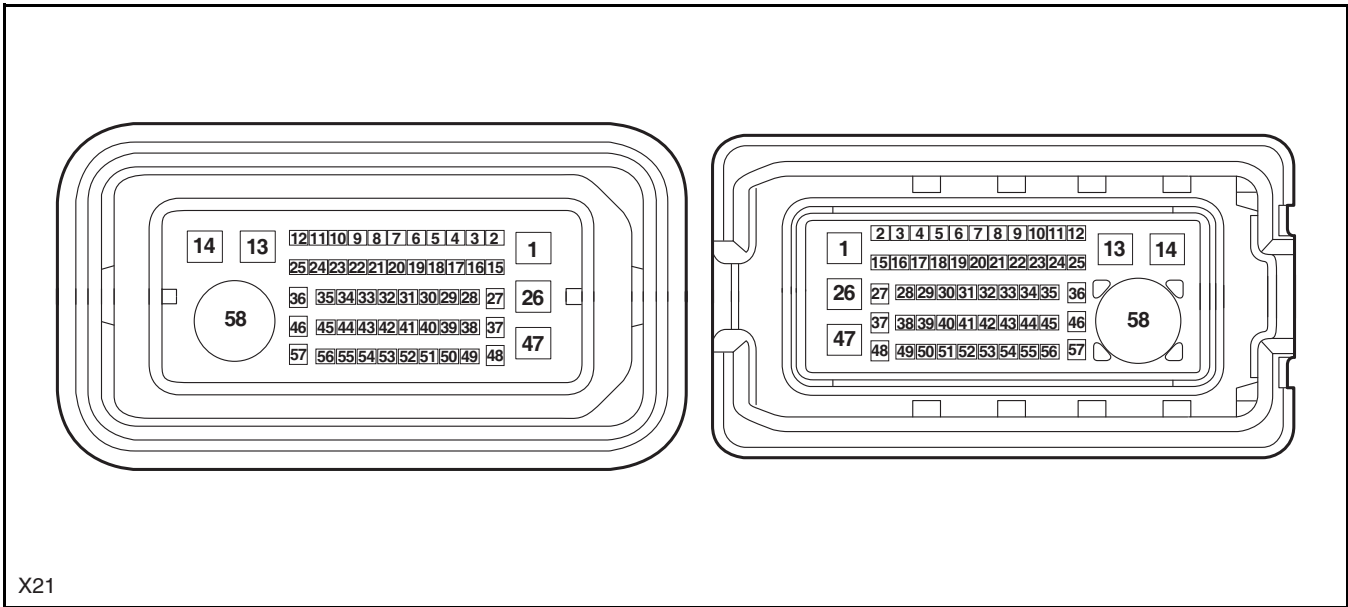
Instrument Panel Wiring Harness (Left 1) to Chassis Wiring Harness



X13

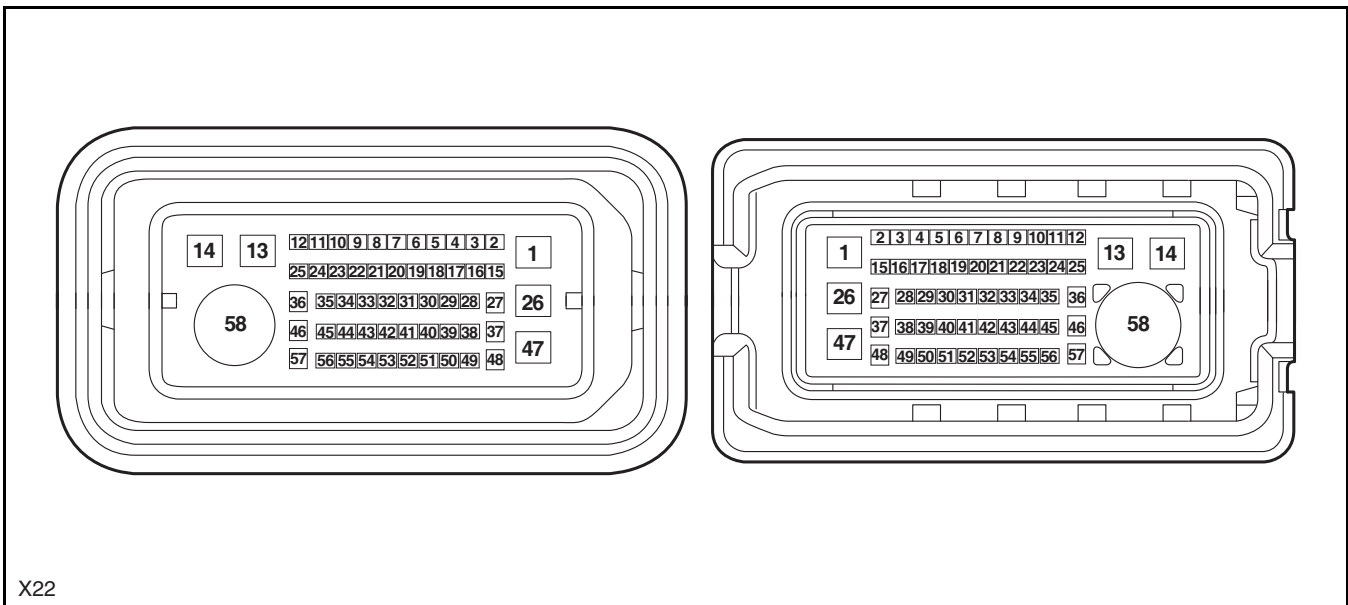
Chassis Wiring Harness to Left Front Door Wiring Harness

Left Front Door Wiring Harness to Chassis Wiring Harness



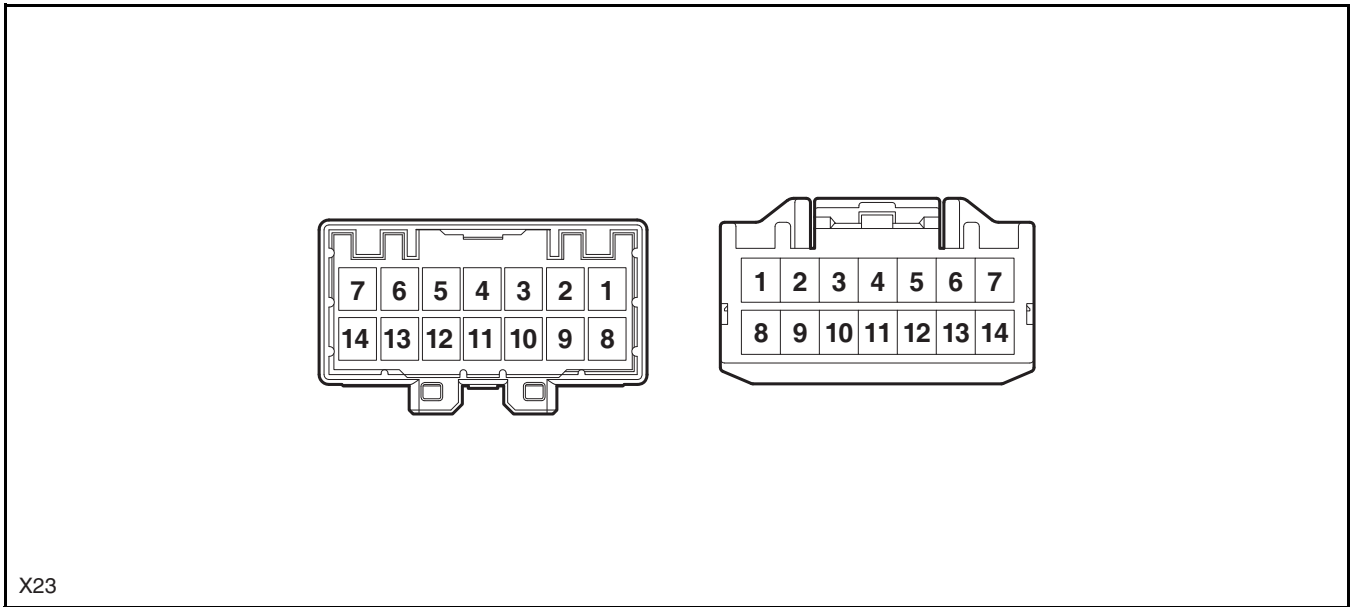
Chassis Wiring Harness to Right Front Door Wiring Harness

Right Front Door Wiring Harness to Chassis Wiring Harness



Chassis Wiring Harness to Left Rear Door Wiring Harness

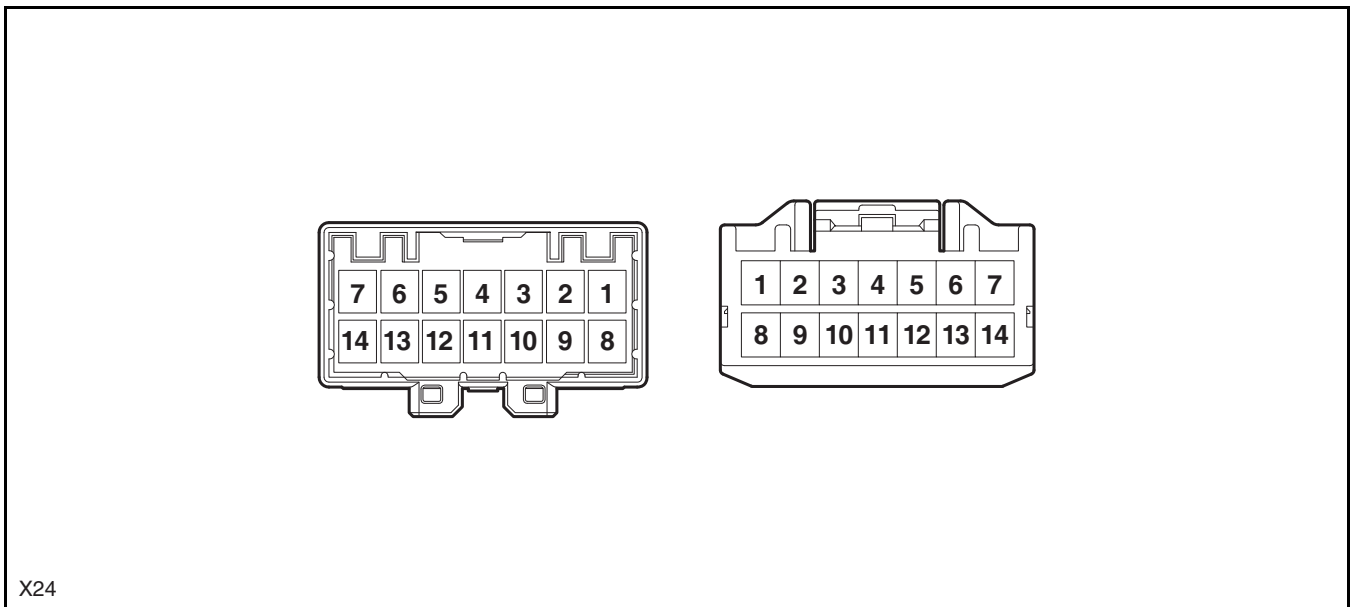
Left Rear Door Wiring Harness to Chassis Wiring Harness



X23

Chassis Wiring Harness to Right Rear Door Wiring Harness

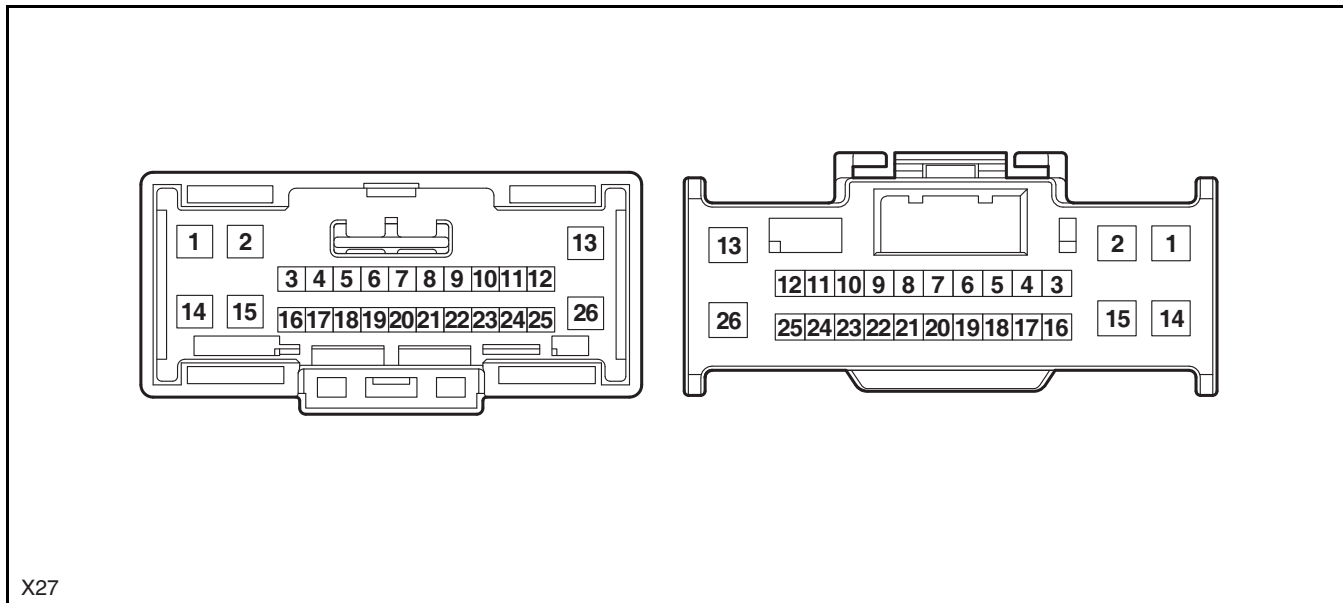
Right Rear Door Wiring Harness to Chassis Wiring Harness



X24

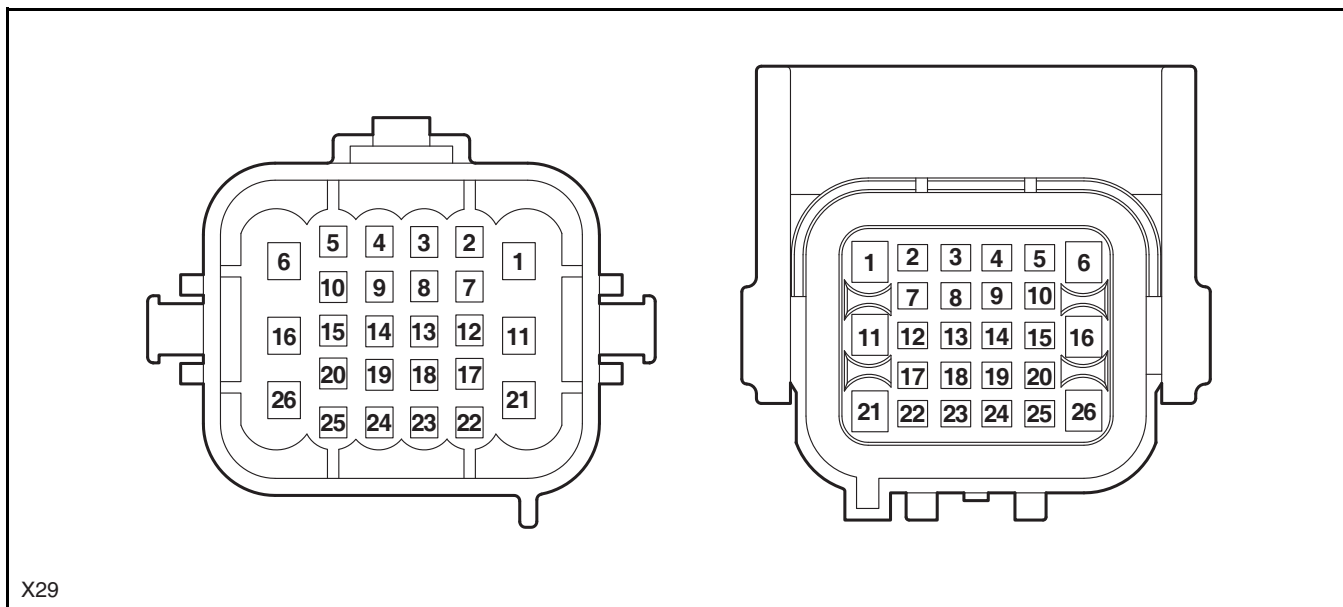
Chassis Wiring Harness to Back Door Wiring Harness

Back Door Wiring Harness to Chassis Wiring Harness



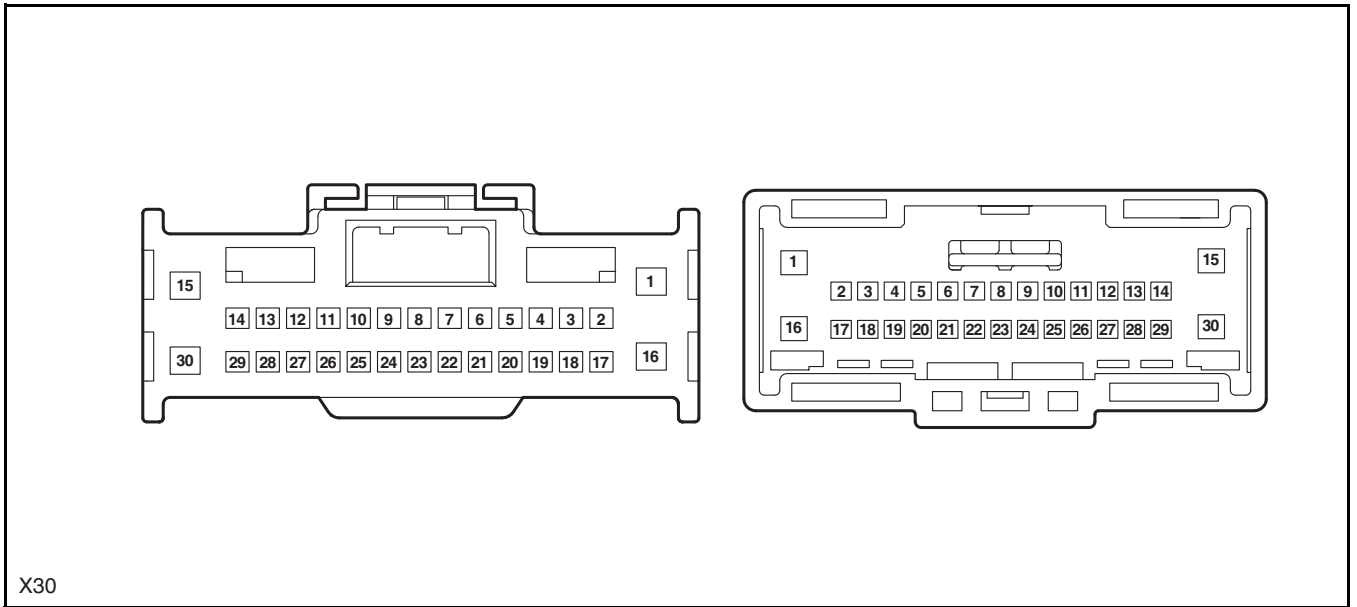
Chassis Wiring Harness to Rear Bumper Wiring Harness (2)

Rear Bumper Wiring Harness (2) to Chassis Wiring Harness



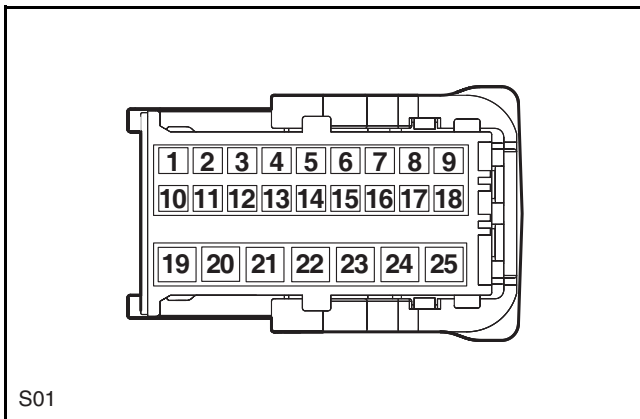
Instrument Panel Wiring Harness to Roof Wiring Harness (Left)

Roof Wiring Harness (Left) to Instrument Panel Wiring Harness

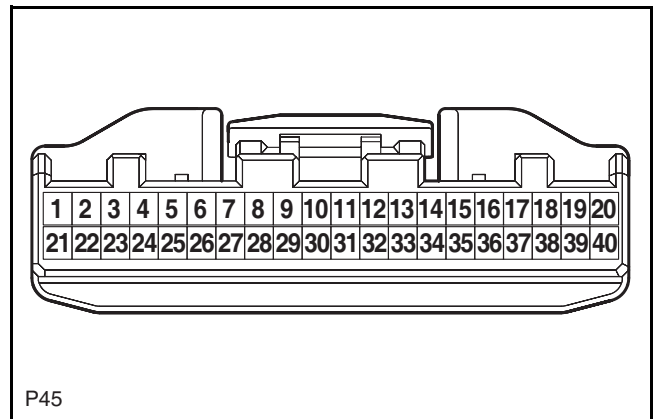


BDC-J4 (Chassis)

BDC-J2

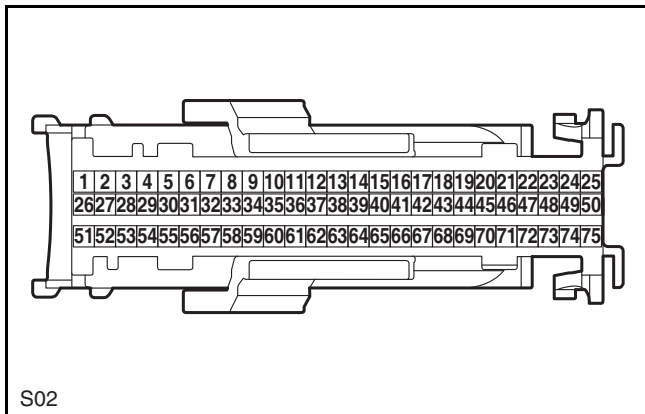


S01



P45

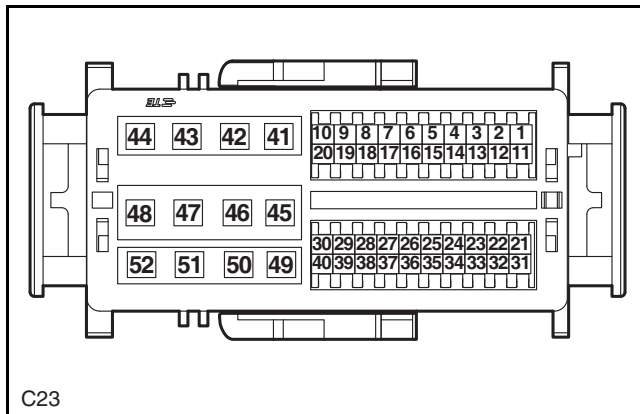
BDC-J3 (Chassis)



S02

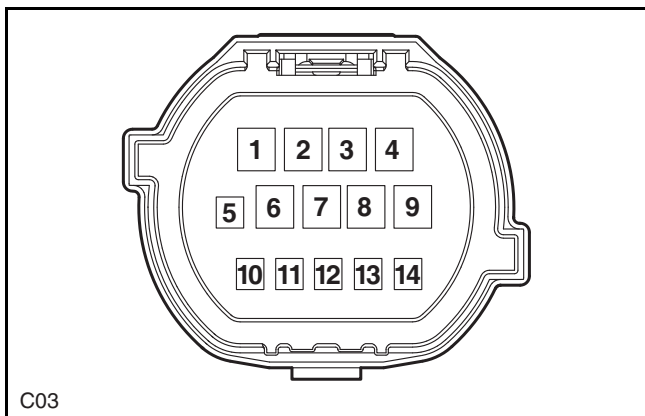
Left Front Combination Lamp I

BDC-J5

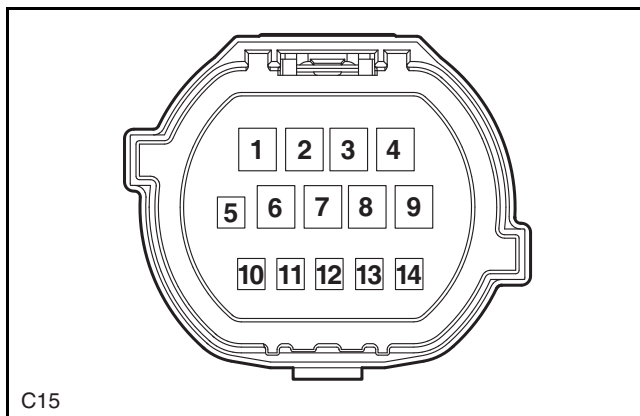


C23

Right Front Combination Lamp I

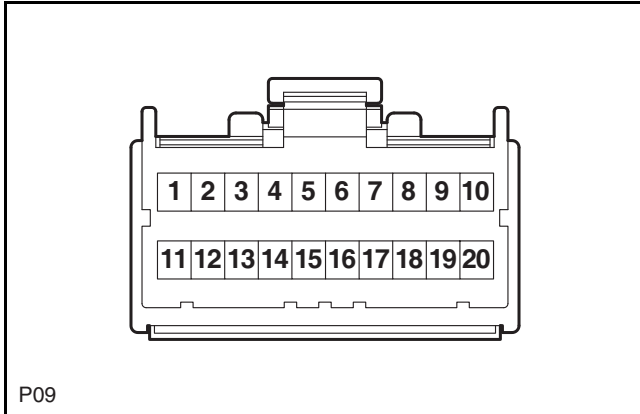


C03



C15

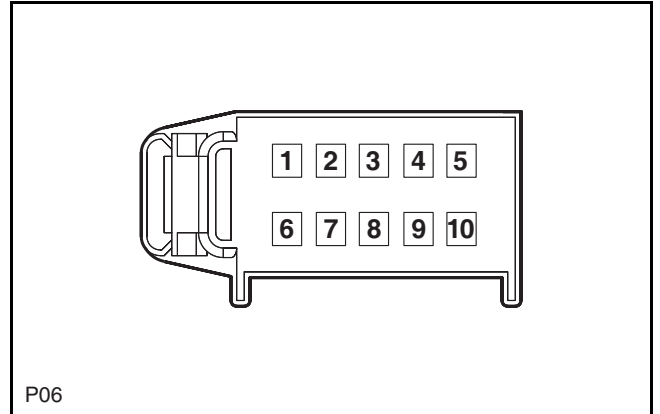
Switch Box (Headlamp Leveling Switch)



P09

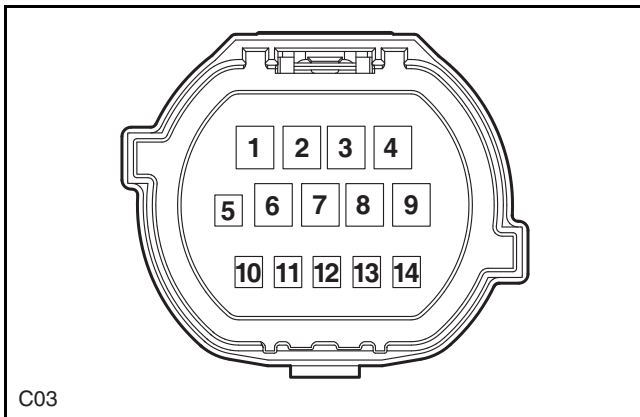
Left Front Combination Lamp I

Combination Lamp Switch

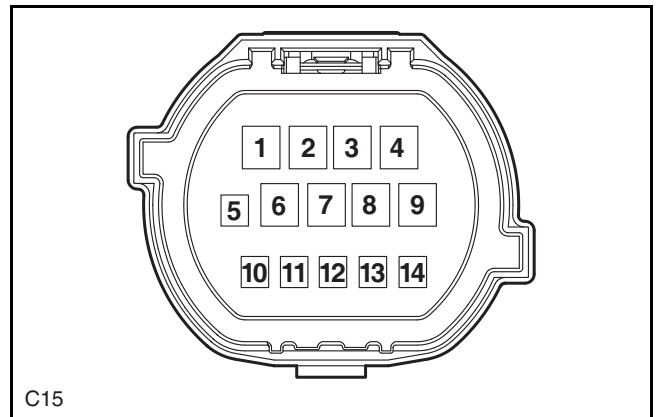


P06

Right Front Combination Lamp I

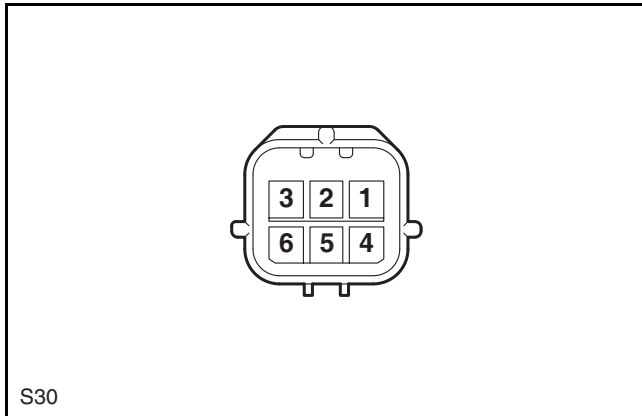


C03

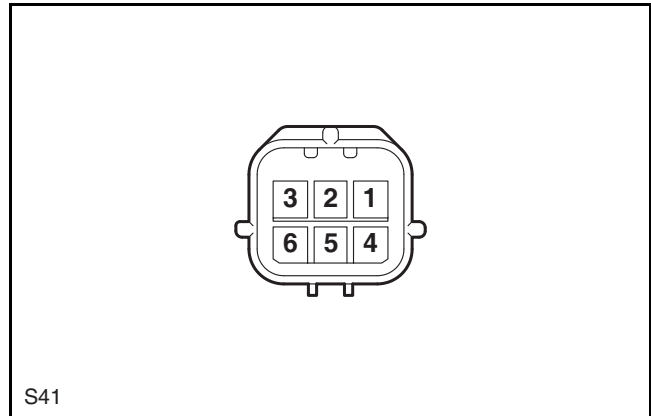


C15

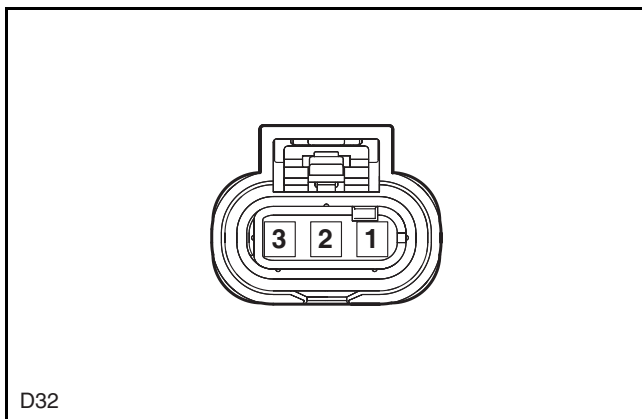
Left Rear Combination Lamp I



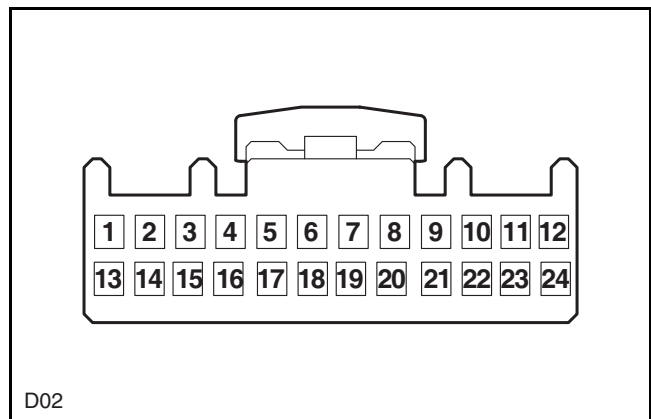
Right Rear Combination Lamp I



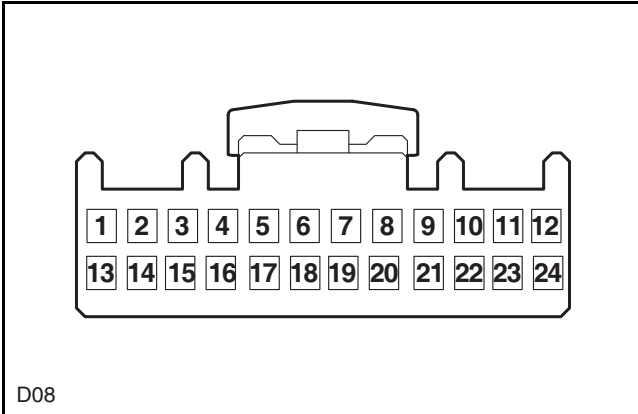
License Plate Lamp



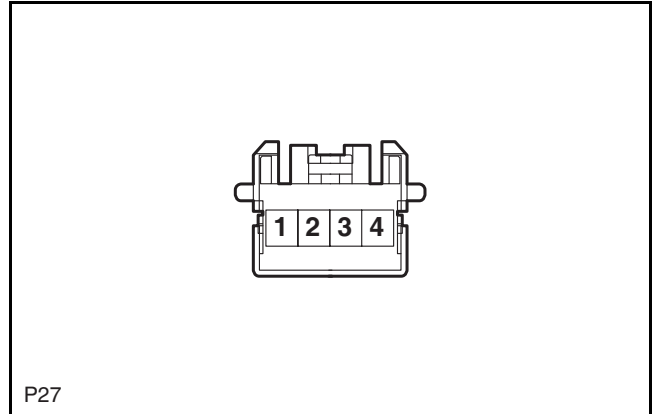
Rearview Mirror (Left Front Door)



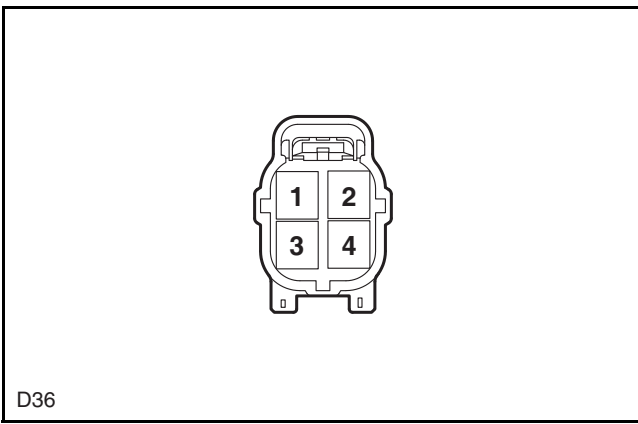
Rearview Mirror (Right Front Door)



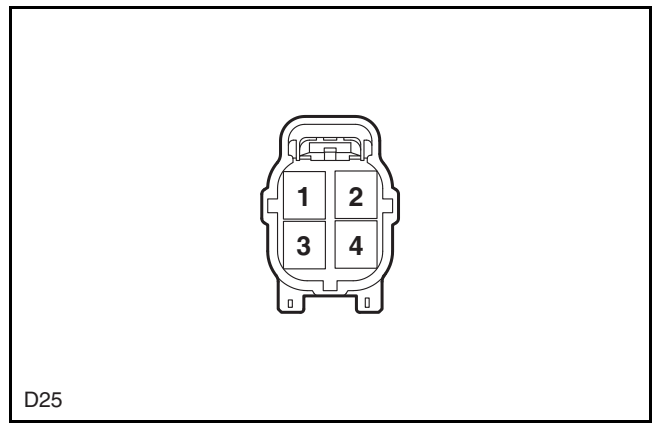
Emergency Alarm Switch



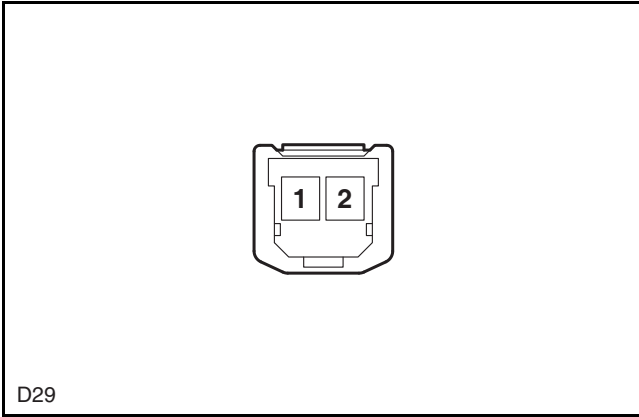
Left Rear Combination Lamp II



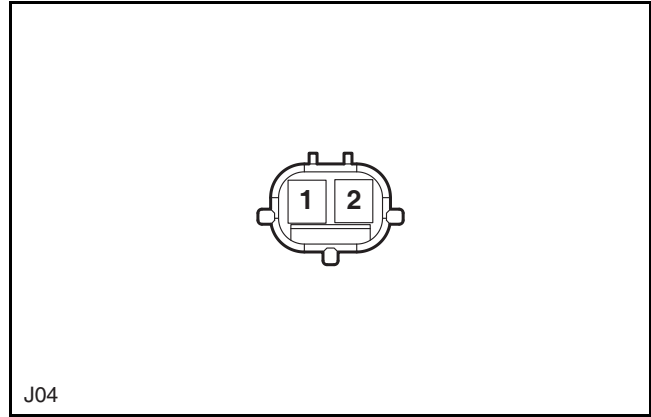
Right Rear Combination Lamp II



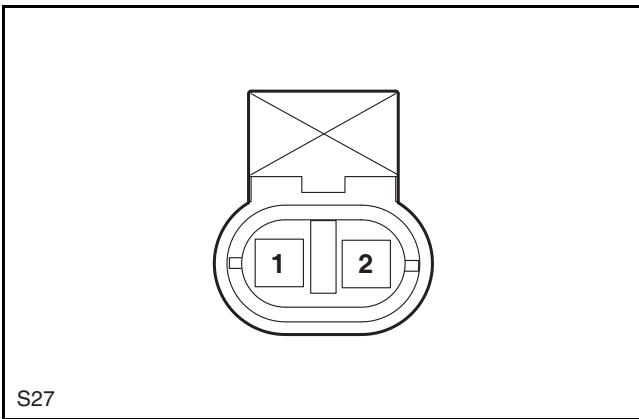
High Mounted Brake Lamp



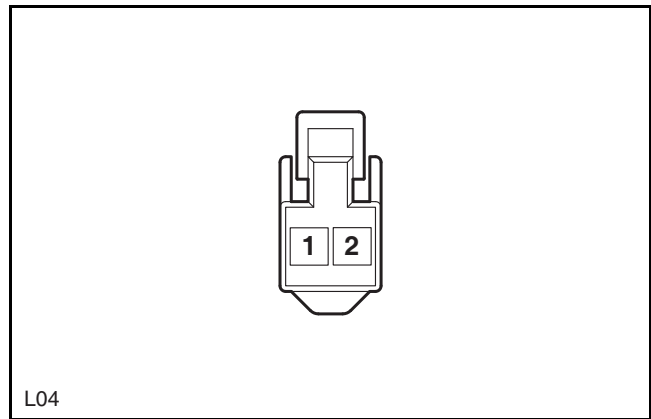
Rear Fog Lamp



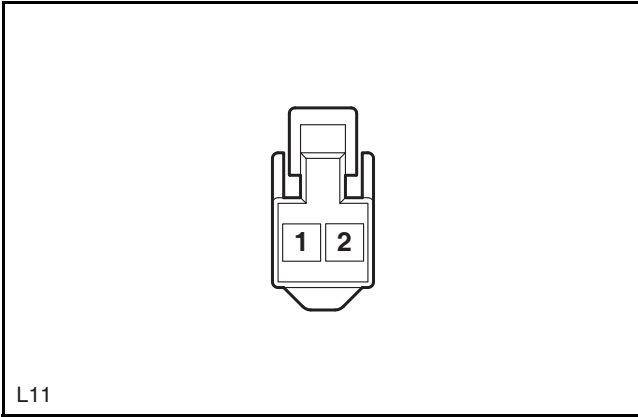
Luggage Compartment Lamp



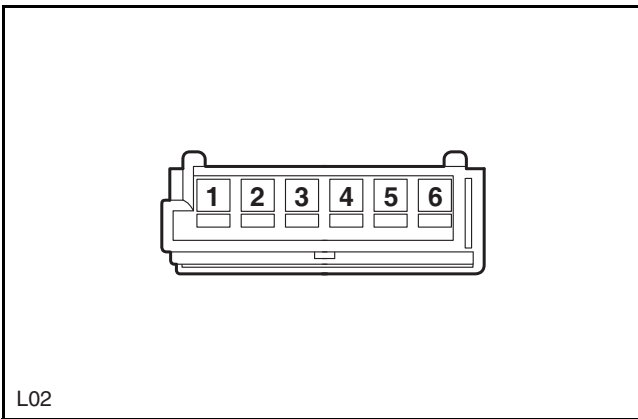
Left Vanity Lamp



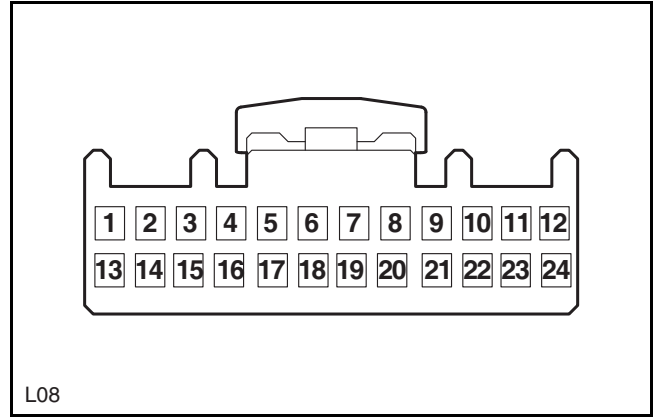
Right Vanity Lamp



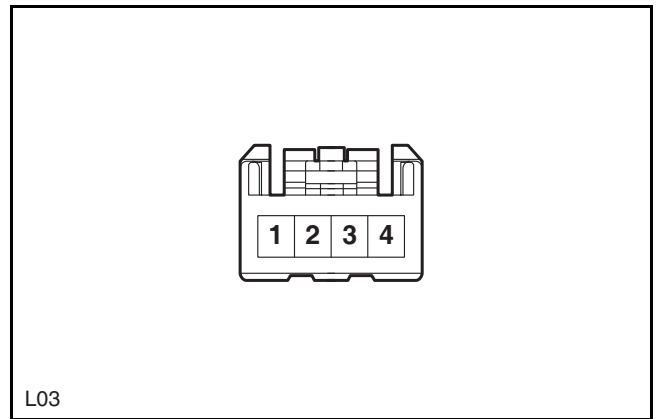
Left Rear Dome Lamp (Panoramic Sunroof)



Front Dome Lamp + Sunroof

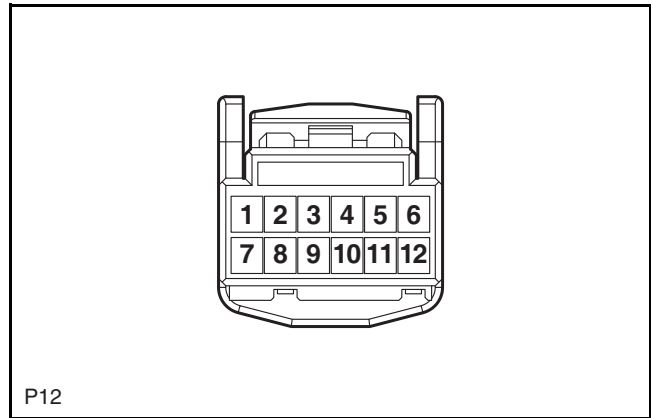
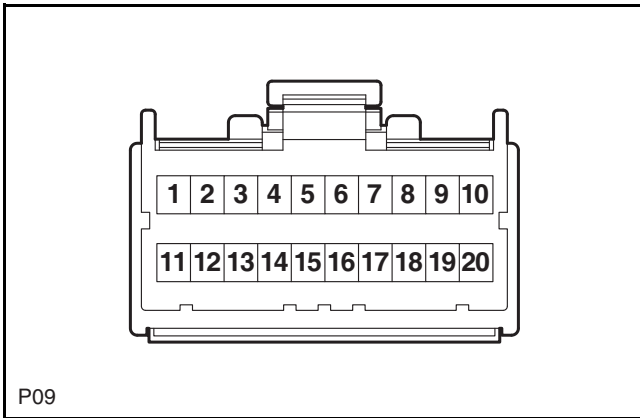


Rear Dome Lamp (Small Sunroof)

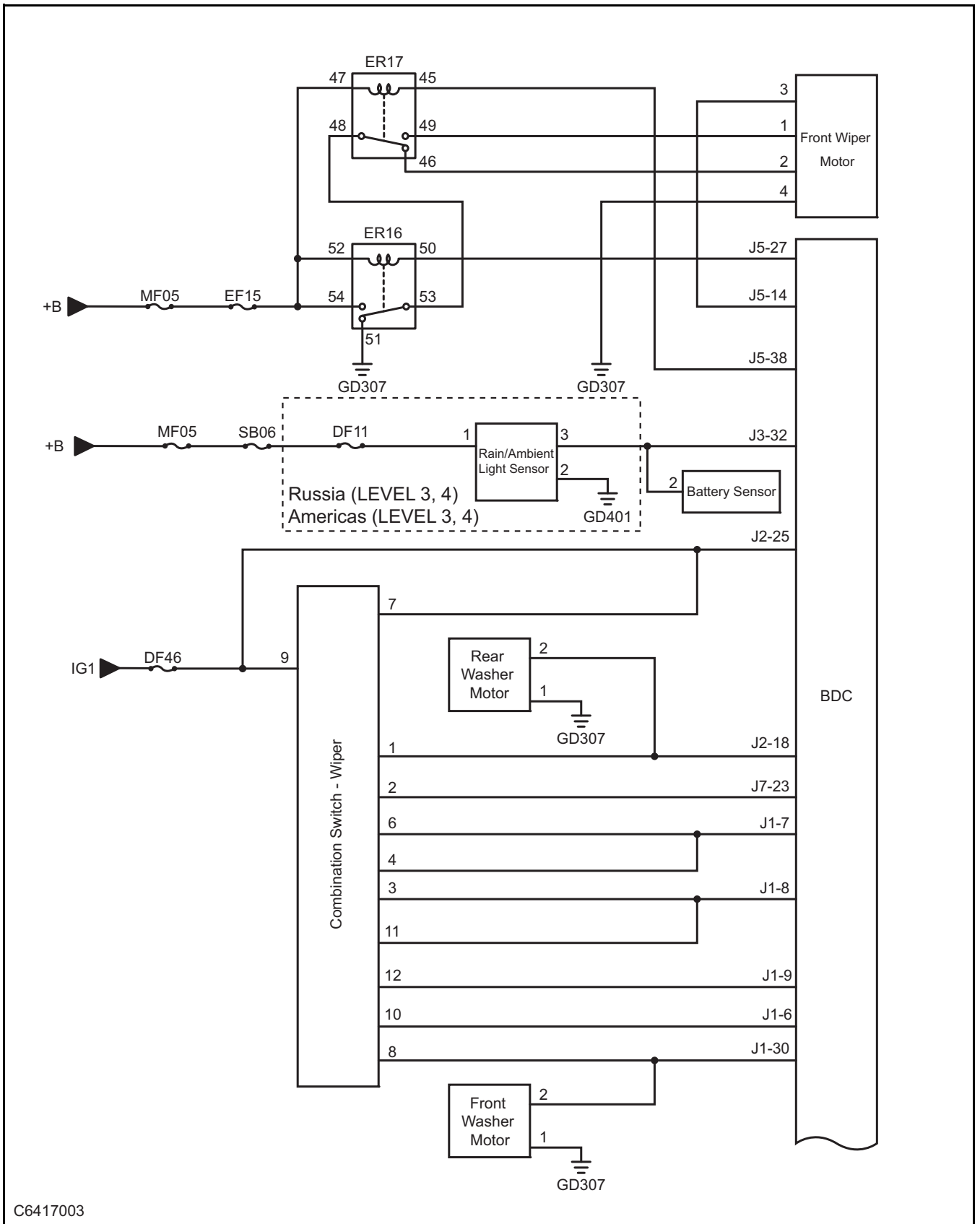


Instrument Panel Switch Box

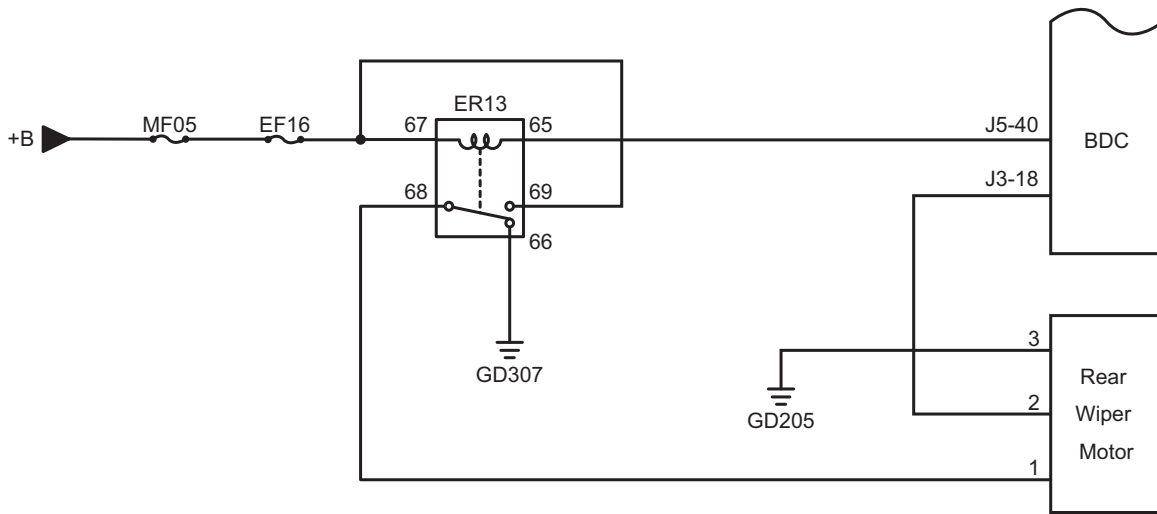
Rotary Connector (Multi-functional Switch, High Configuration/Low Configuration)



Wiper

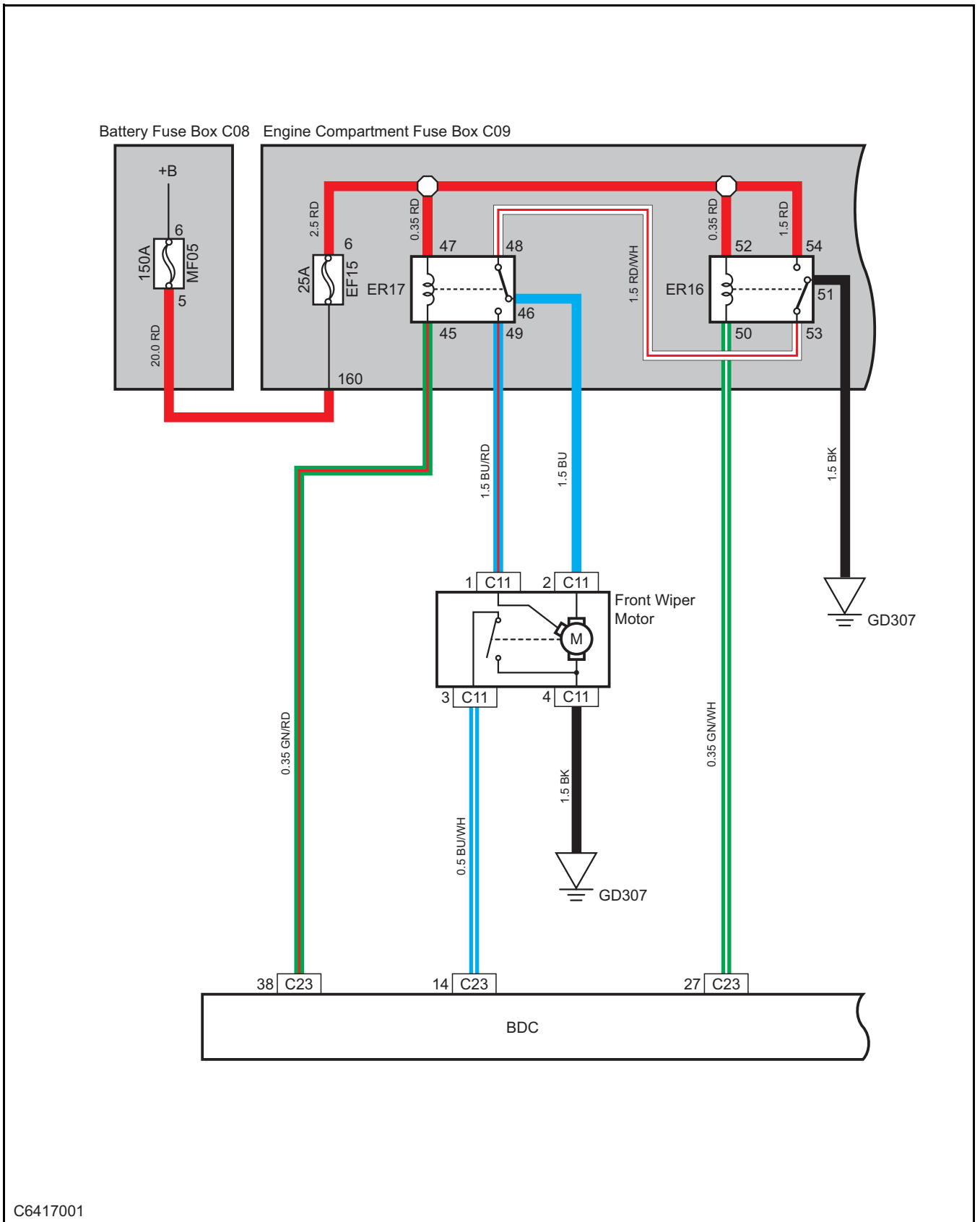


C6417003



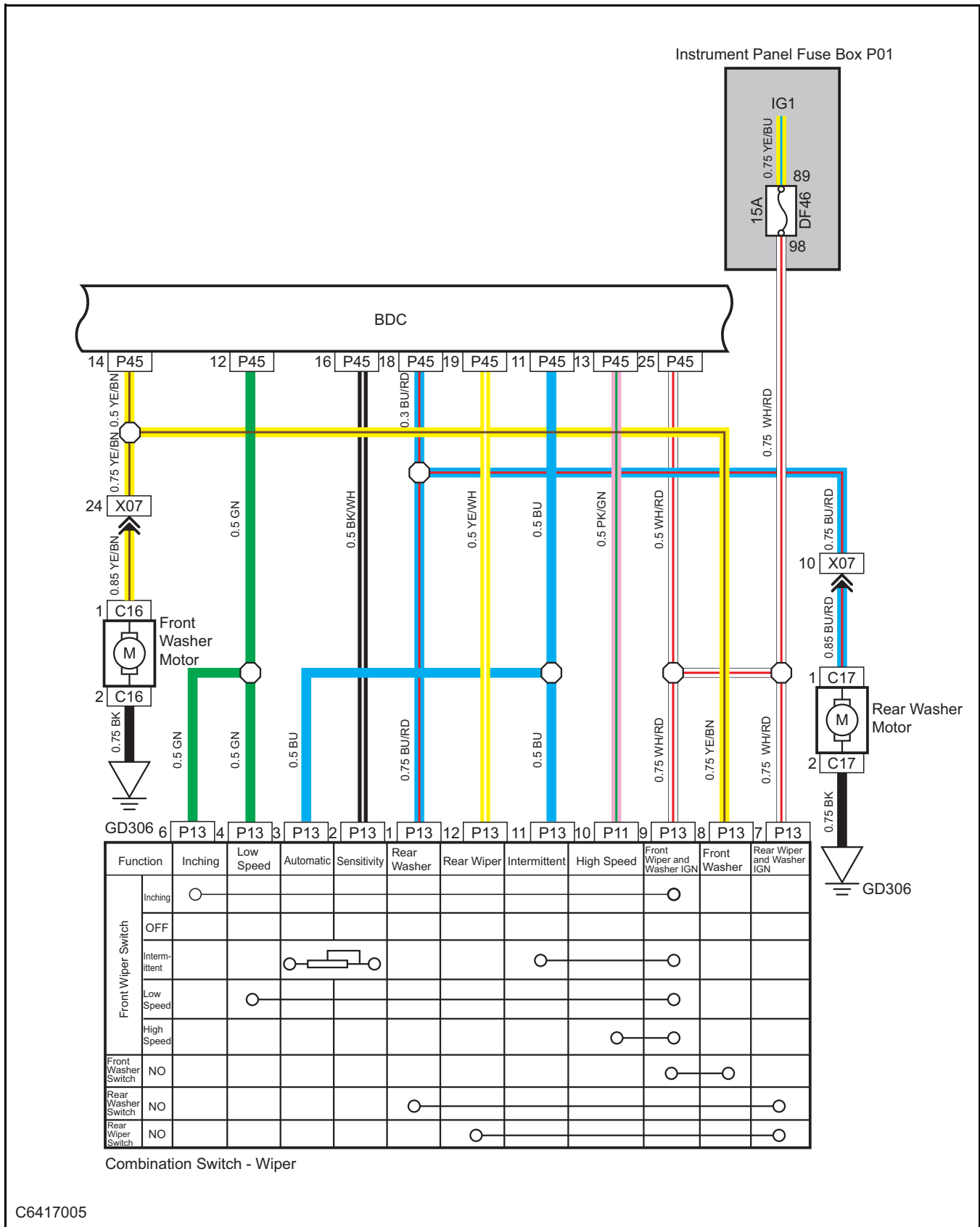
C6417006

Front Wiper Motor

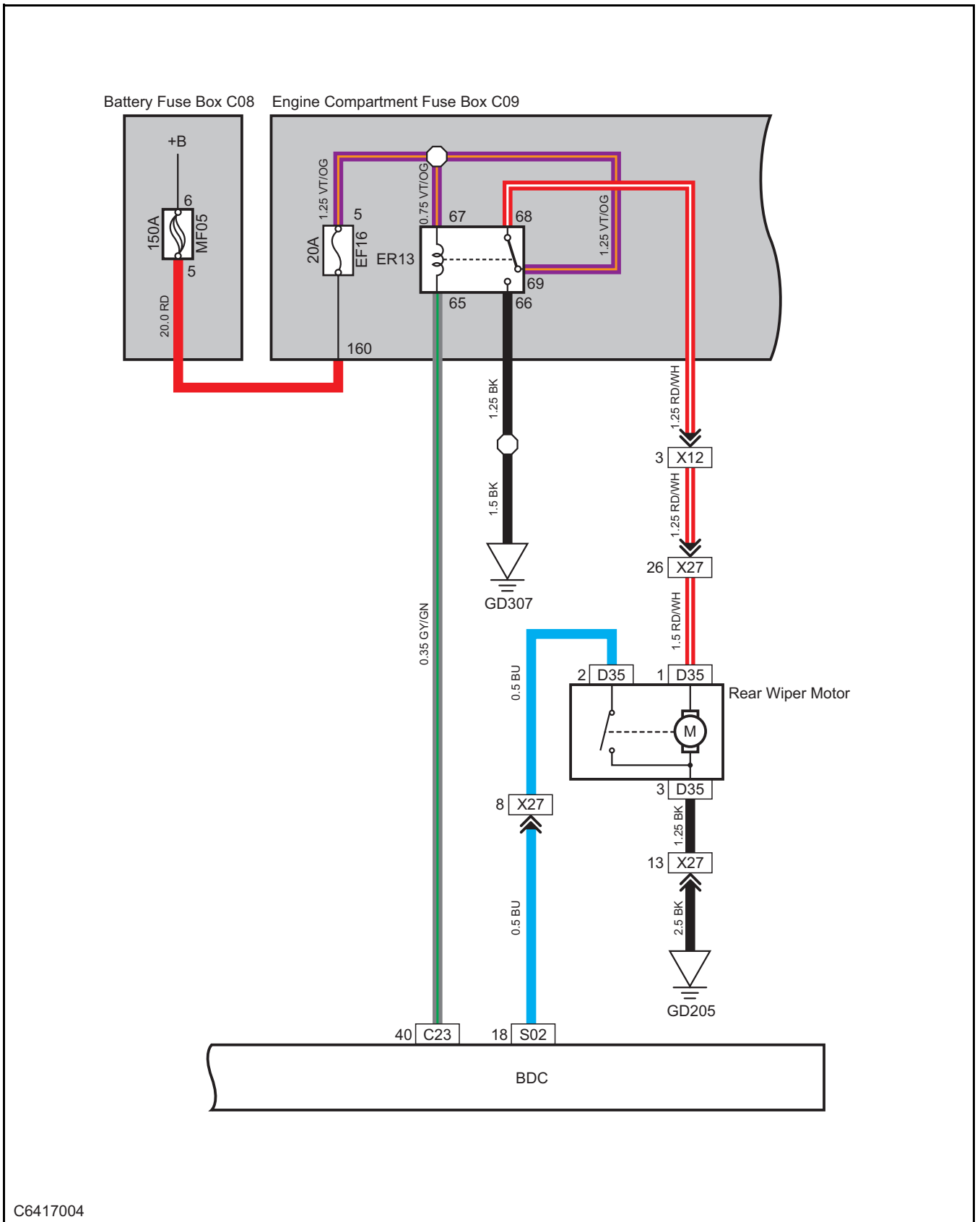


C6417001

Front Washer Motor/Rear Washer Motor

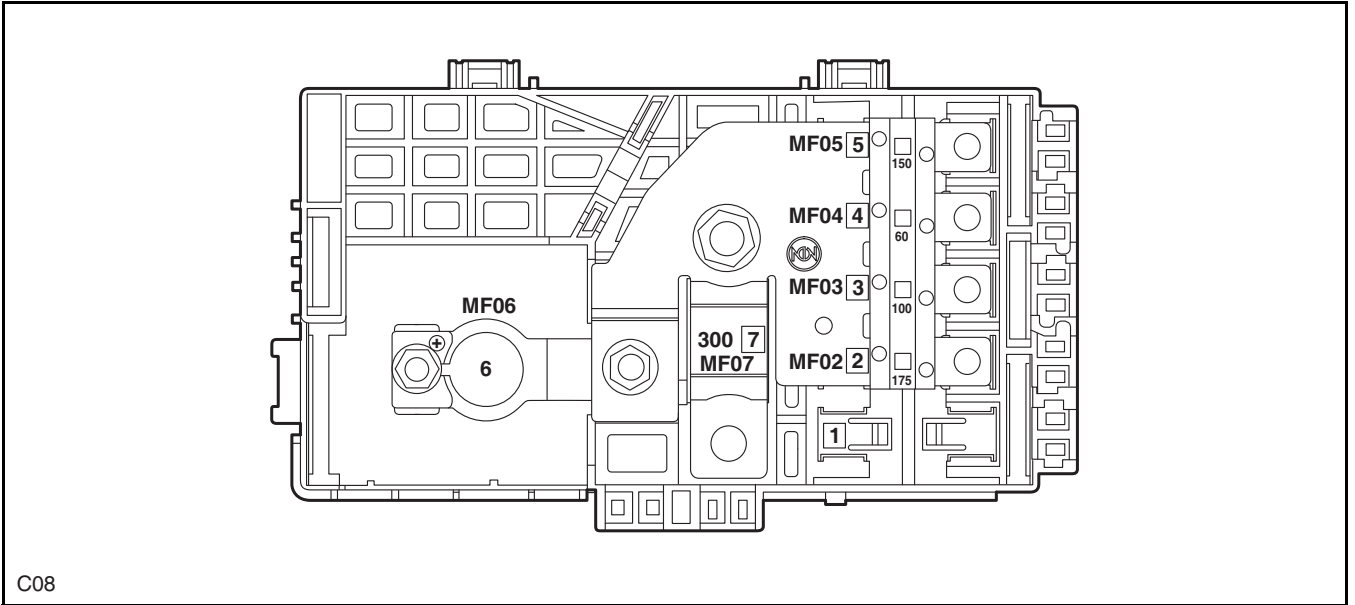


Rear Wiper Motor



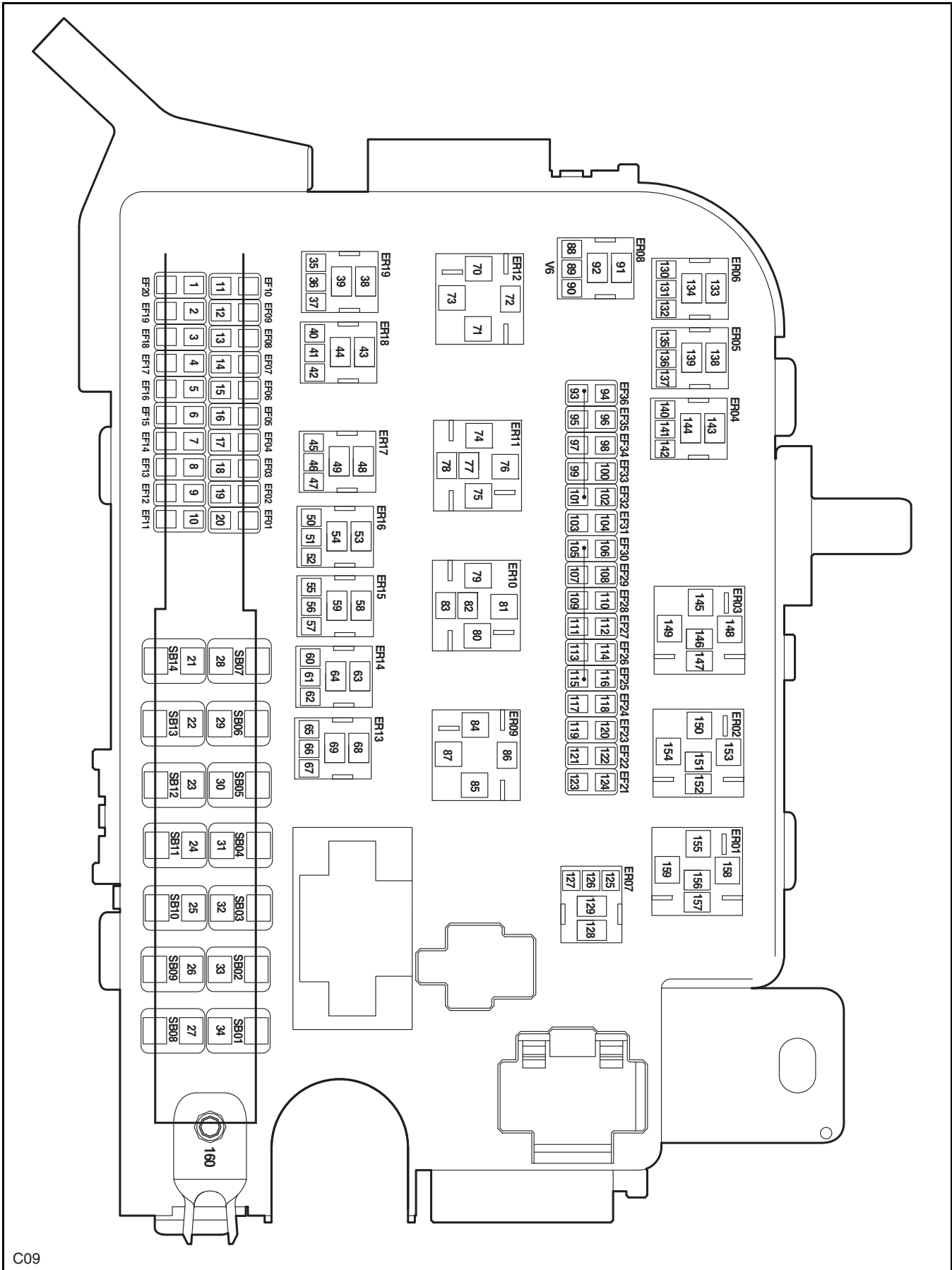
C6417004

Battery Fuse Box



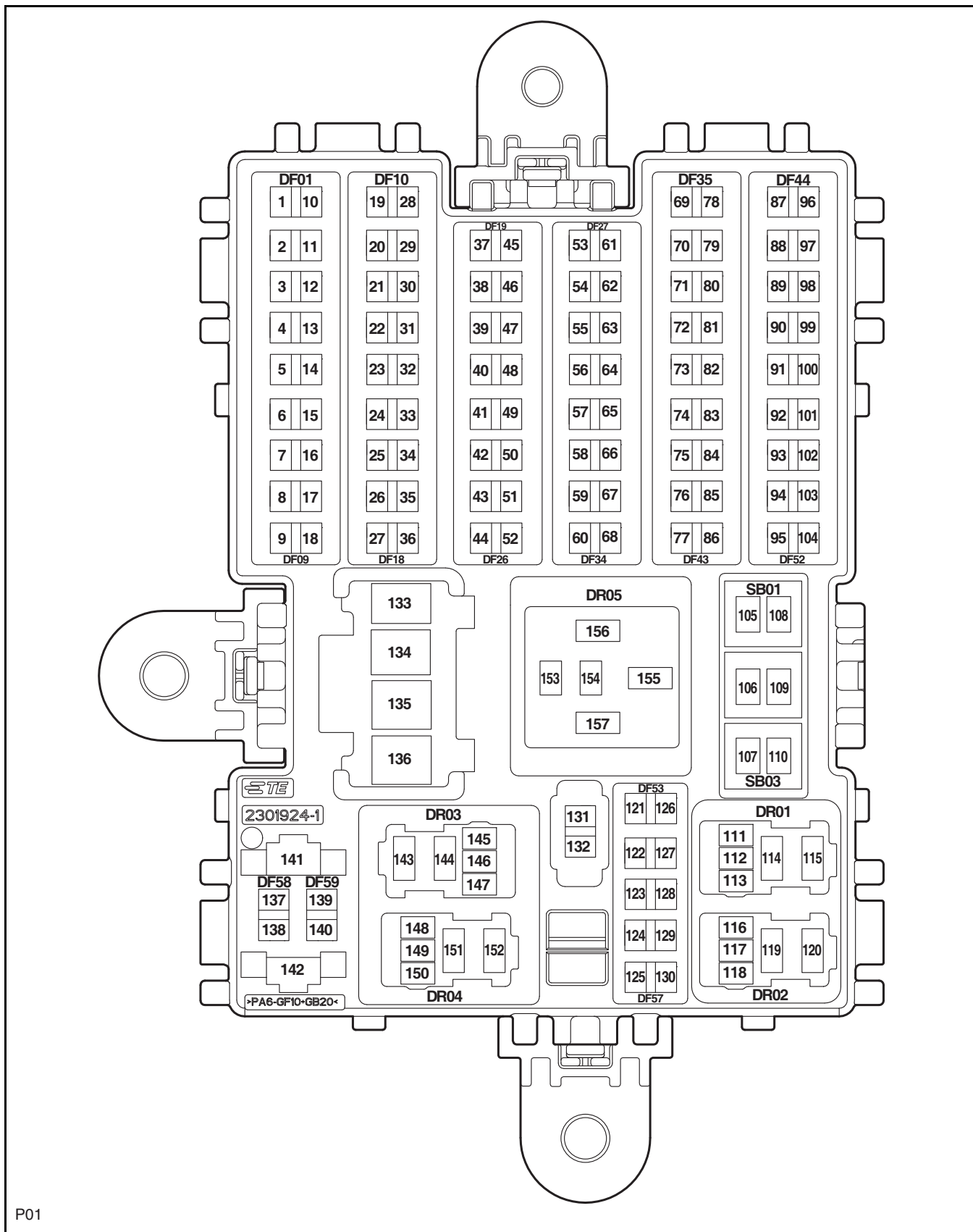
C08

Engine Compartment Fuse Box



C09

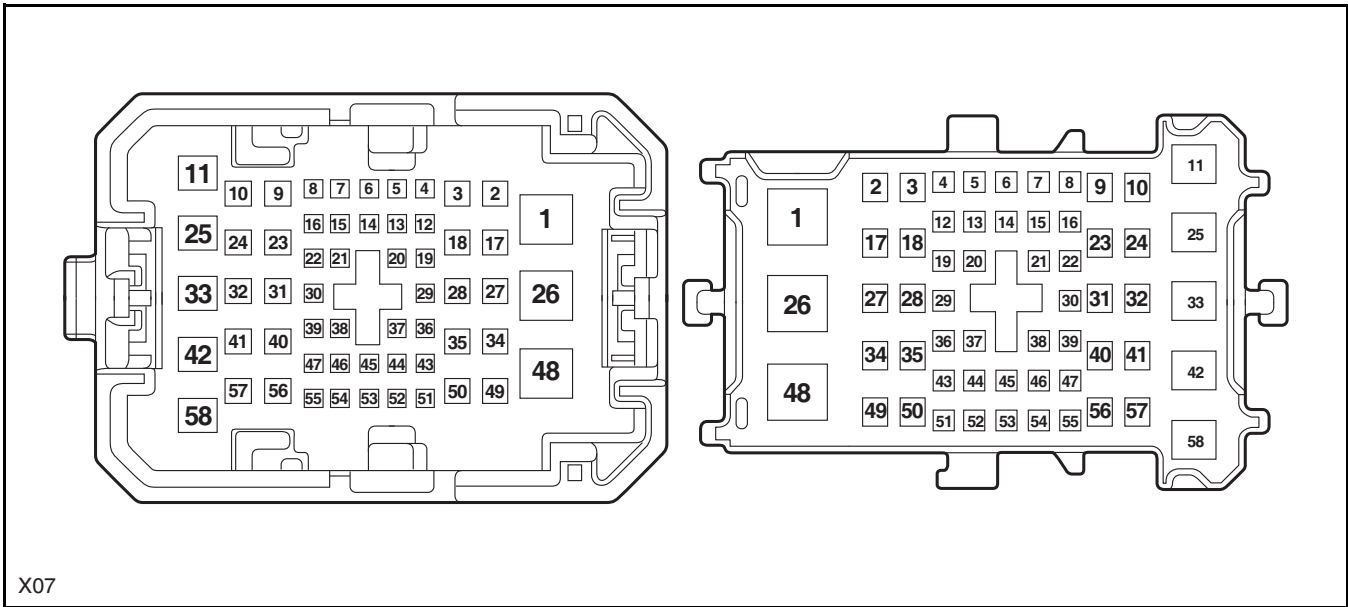
Instrument Panel Fuse Box



P01

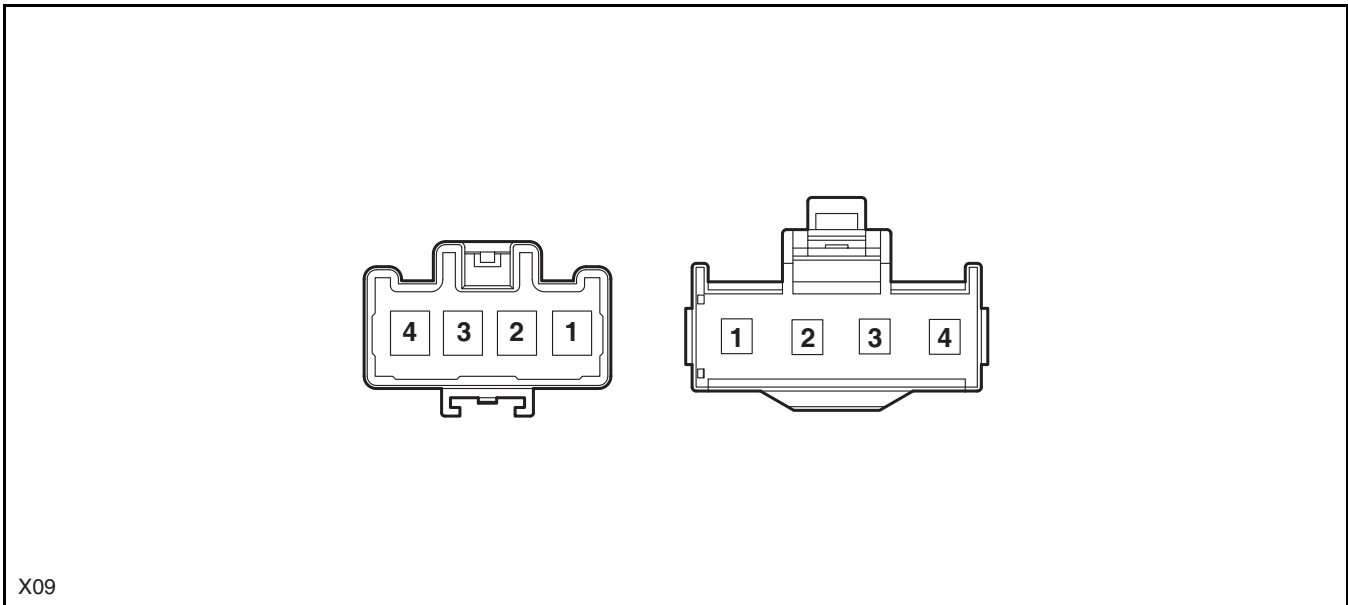
Engine Compartment Wiring Harness to Instrument Panel Wiring Harness (Left 1)

Instrument Panel Wiring Harness (Left 1) to Engine Compartment Wiring Harness



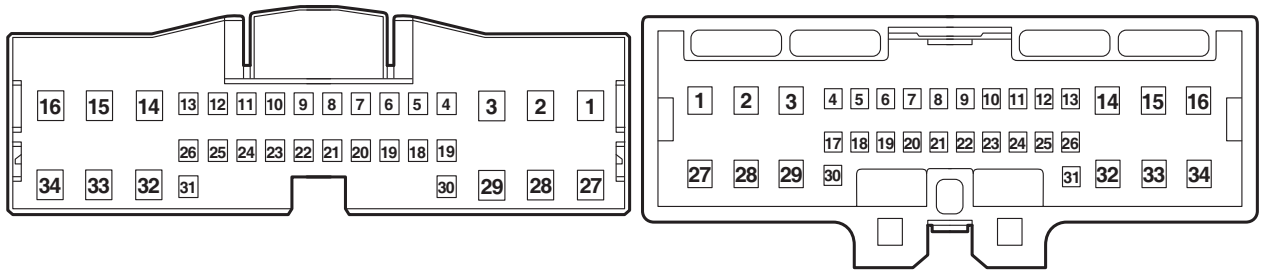
Engine Compartment Wiring Harness to Instrument Panel Wiring Harness (Left 3)

Instrument Panel Wiring Harness (Left 3) to Engine Compartment Wiring Harness



Engine Compartment Wiring Harness to Chassis Wiring Harness (Right 1)

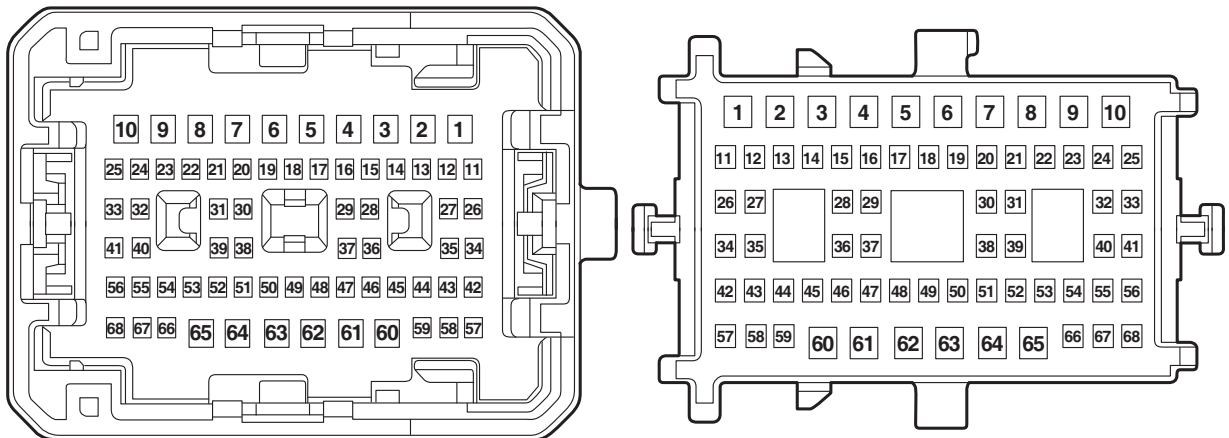
Chassis Wiring Harness (Right 1) to Engine Compartment Wiring Harness



X12

Chassis Wiring Harness to Instrument Panel Wiring Harness (Left 1)

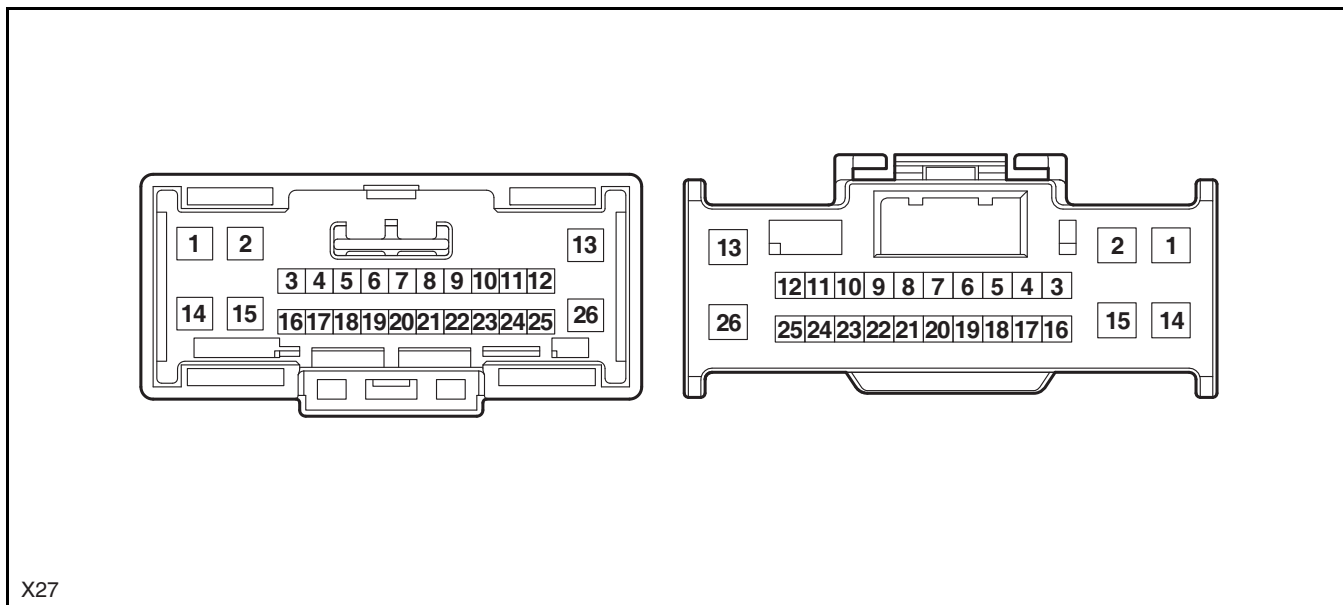
Instrument Panel Wiring Harness (Left 1) to Chassis Wiring Harness



X13

Chassis Wiring Harness to Back Door Wiring Harness

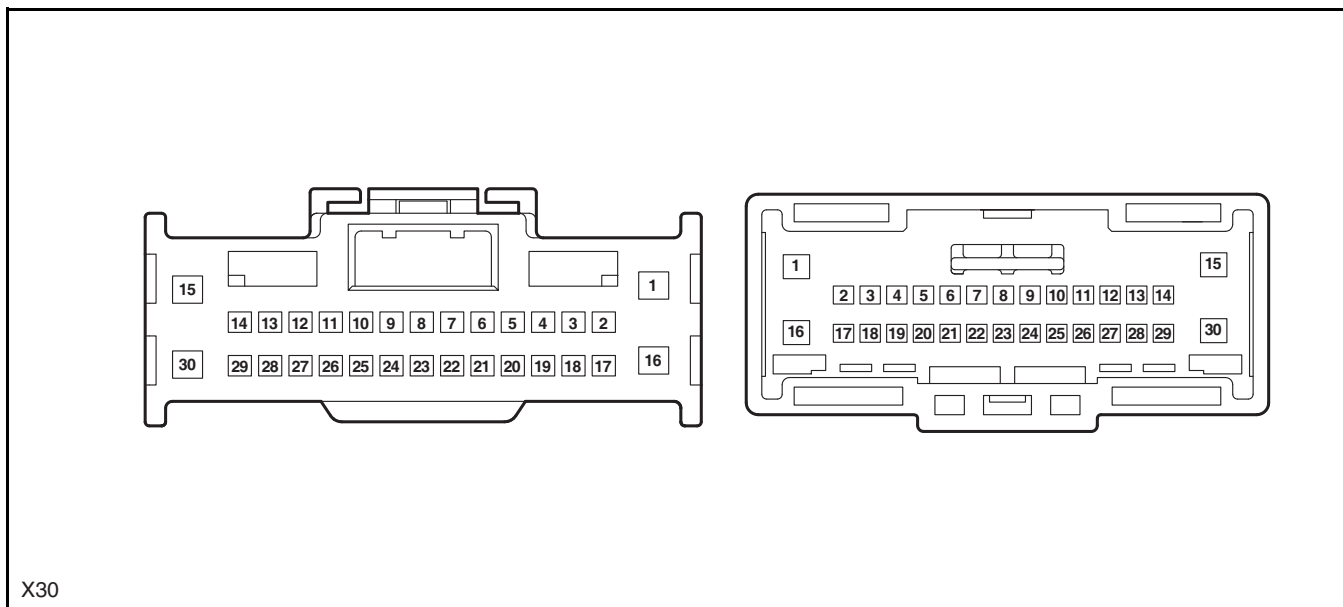
Back Door Wiring Harness to Chassis Wiring Harness



X27

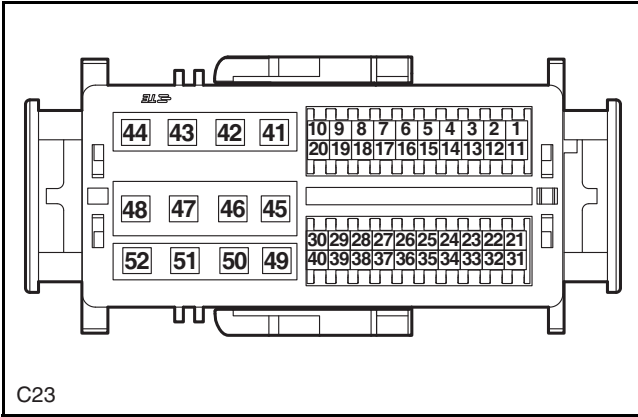
Instrument Panel Wiring Harness to Roof Wiring Harness (Left)

Roof Wiring Harness (Left) to Instrument Panel Wiring Harness

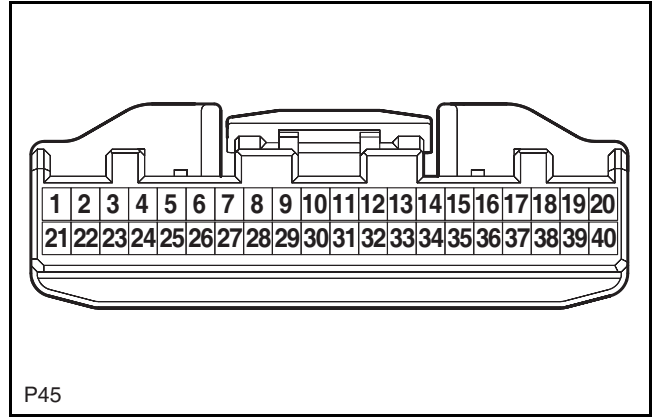


X30

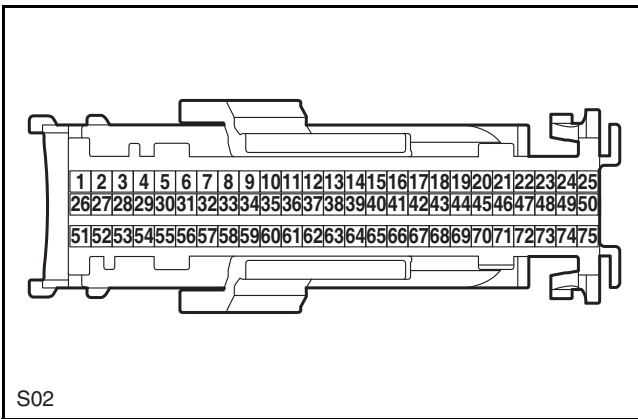
BDC-J5



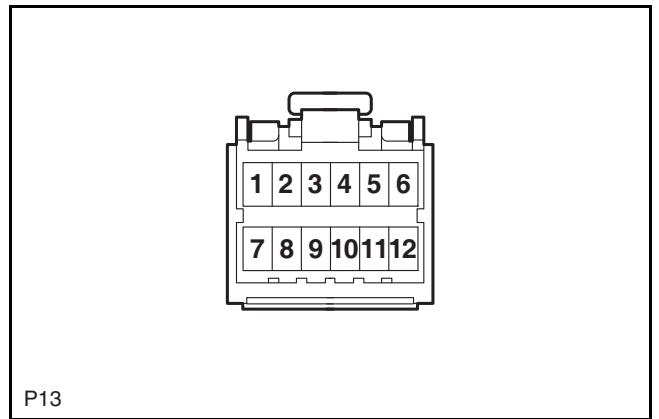
BDC-J2



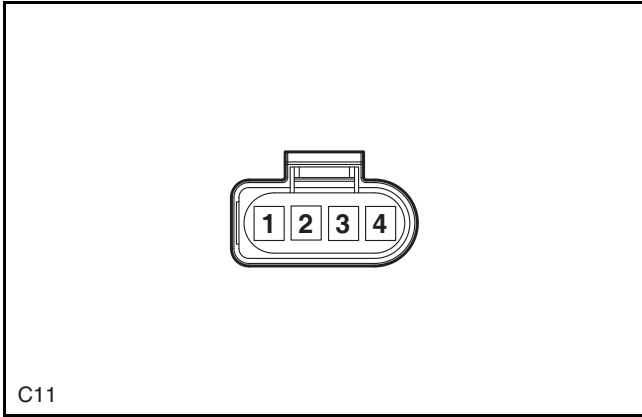
BDC-J3 (Chassis)



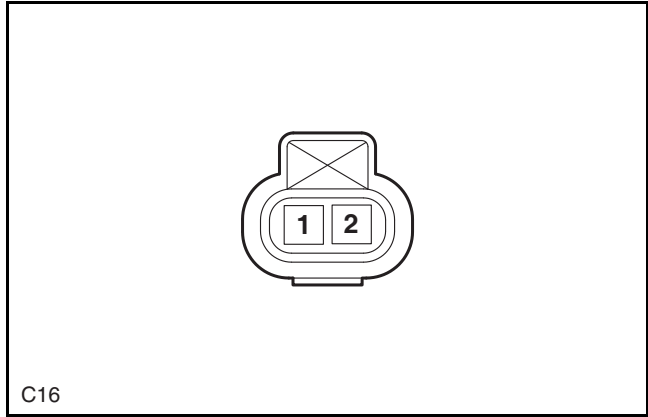
Combination Switch - Wiper



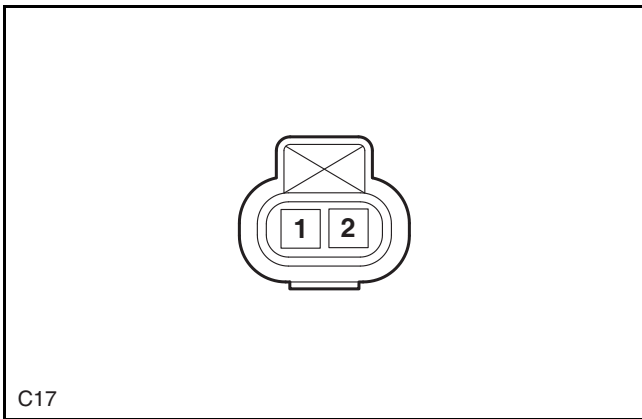
Front Wiper Motor



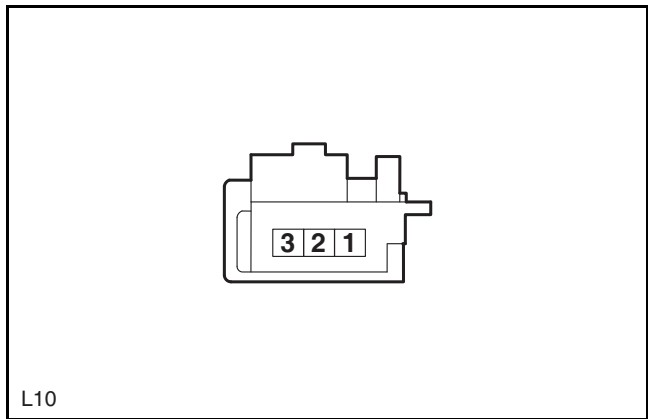
Front Washer Motor



Rear Washer Motor

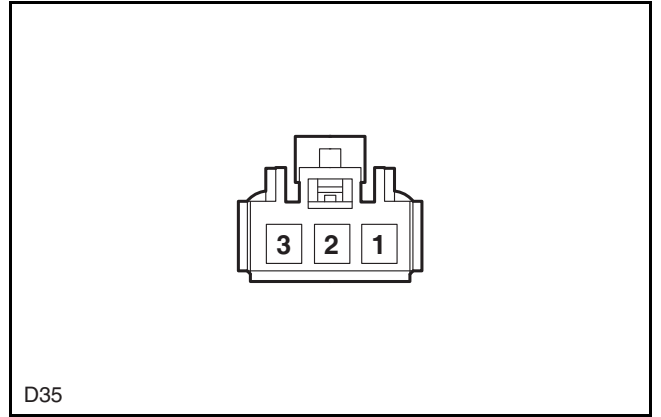
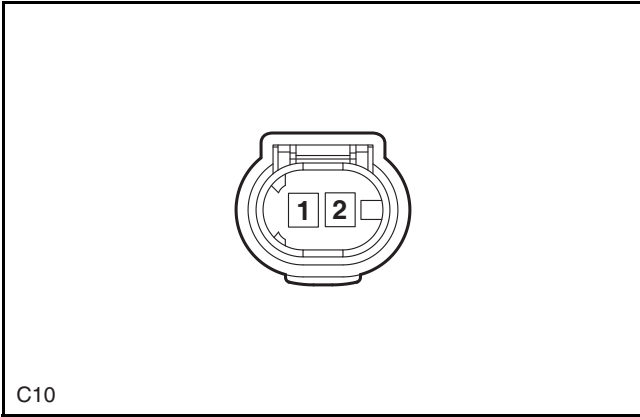


Rain/Ambient Light Sensor

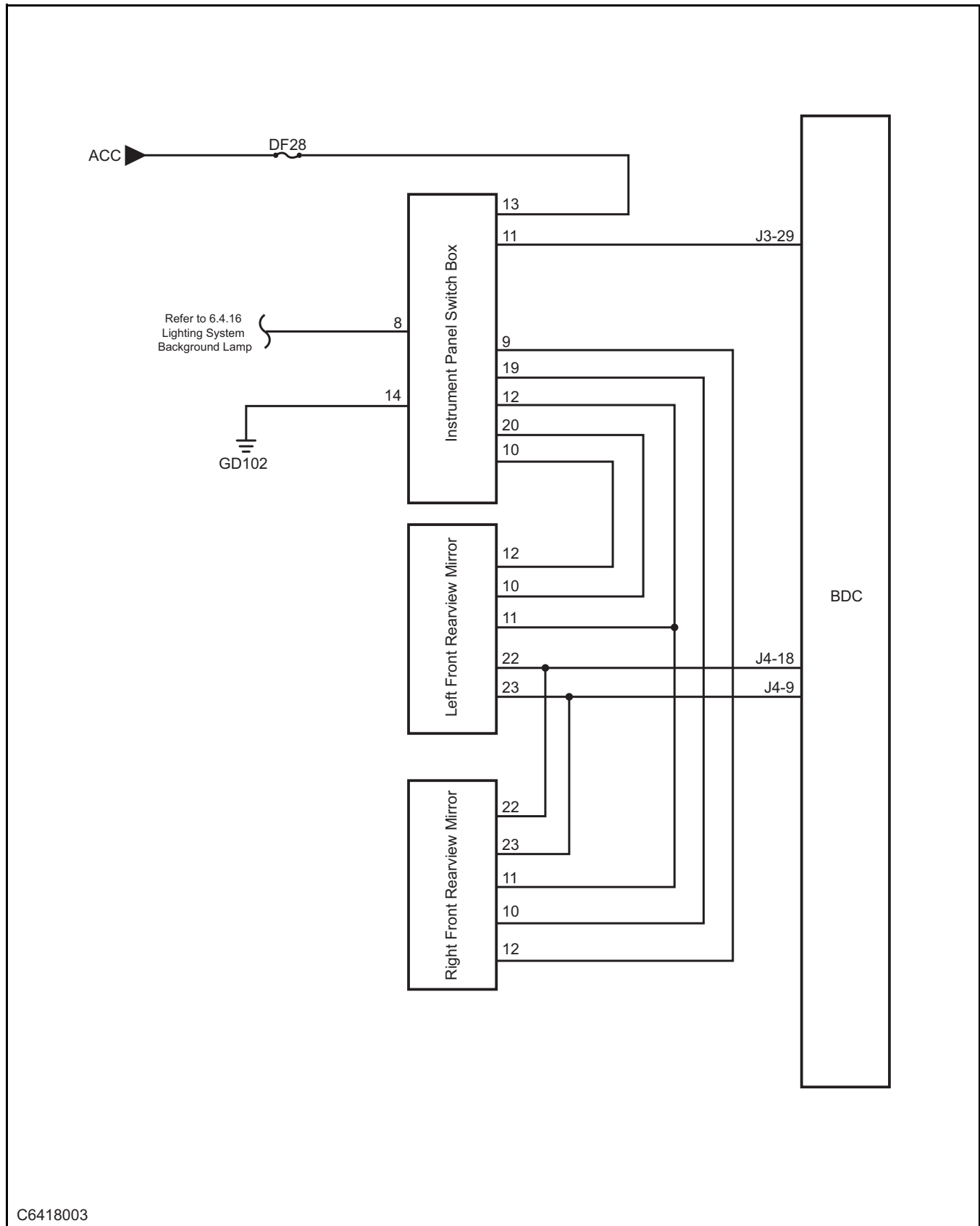


Battery Sensor (STT)

Rear Wiper Motor

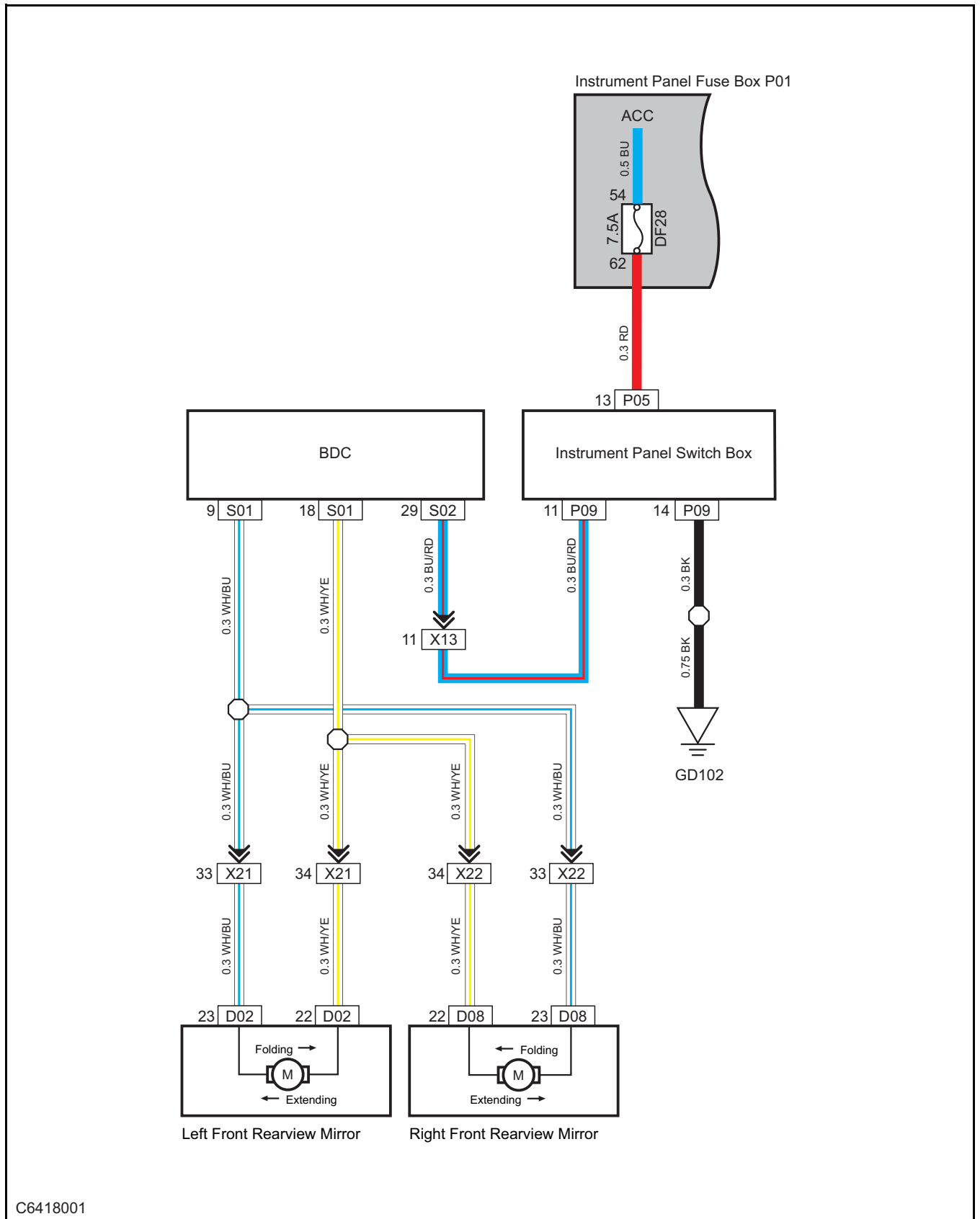


Power Rearview Mirror



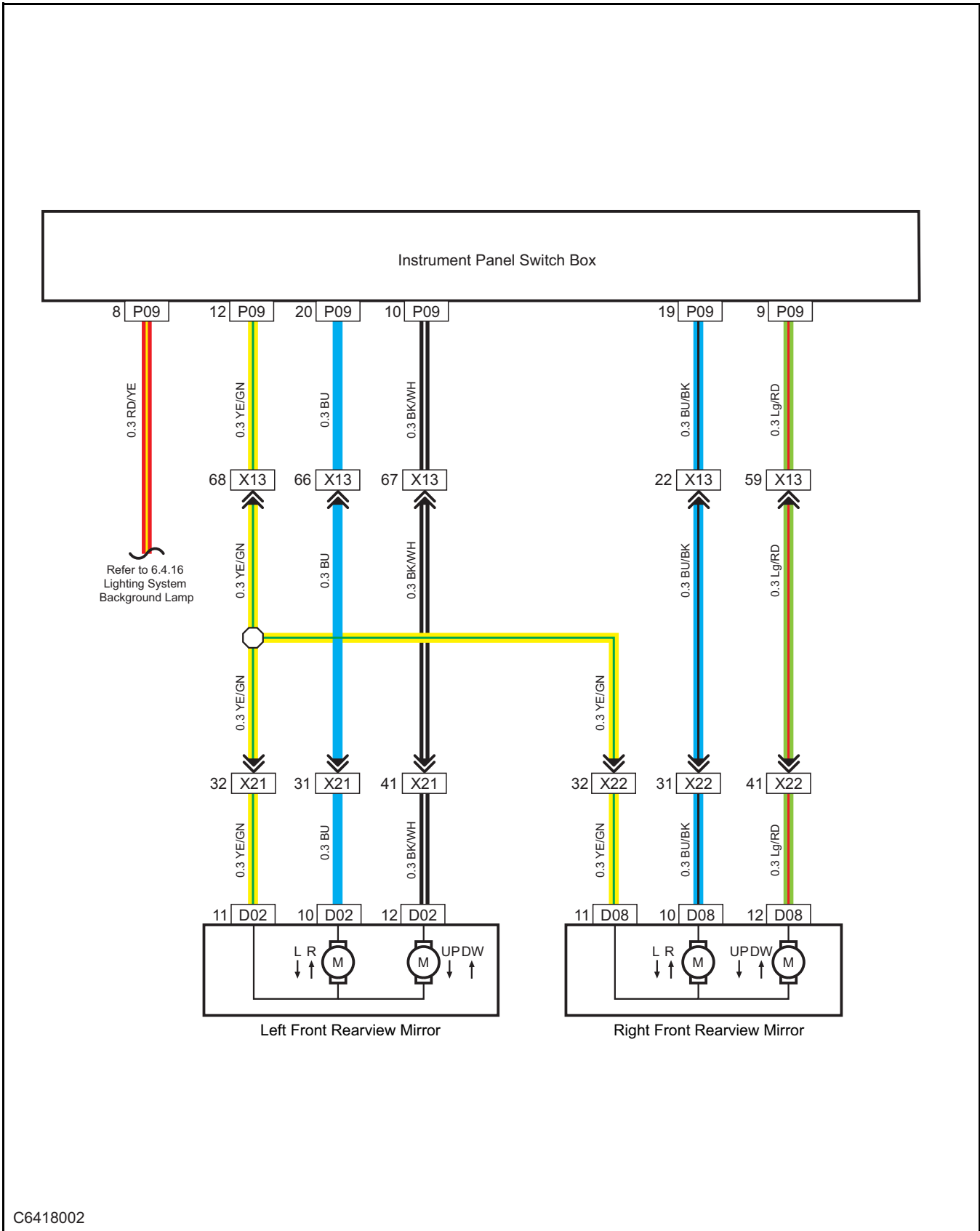
C6418003

Power Rearview Mirror Folding



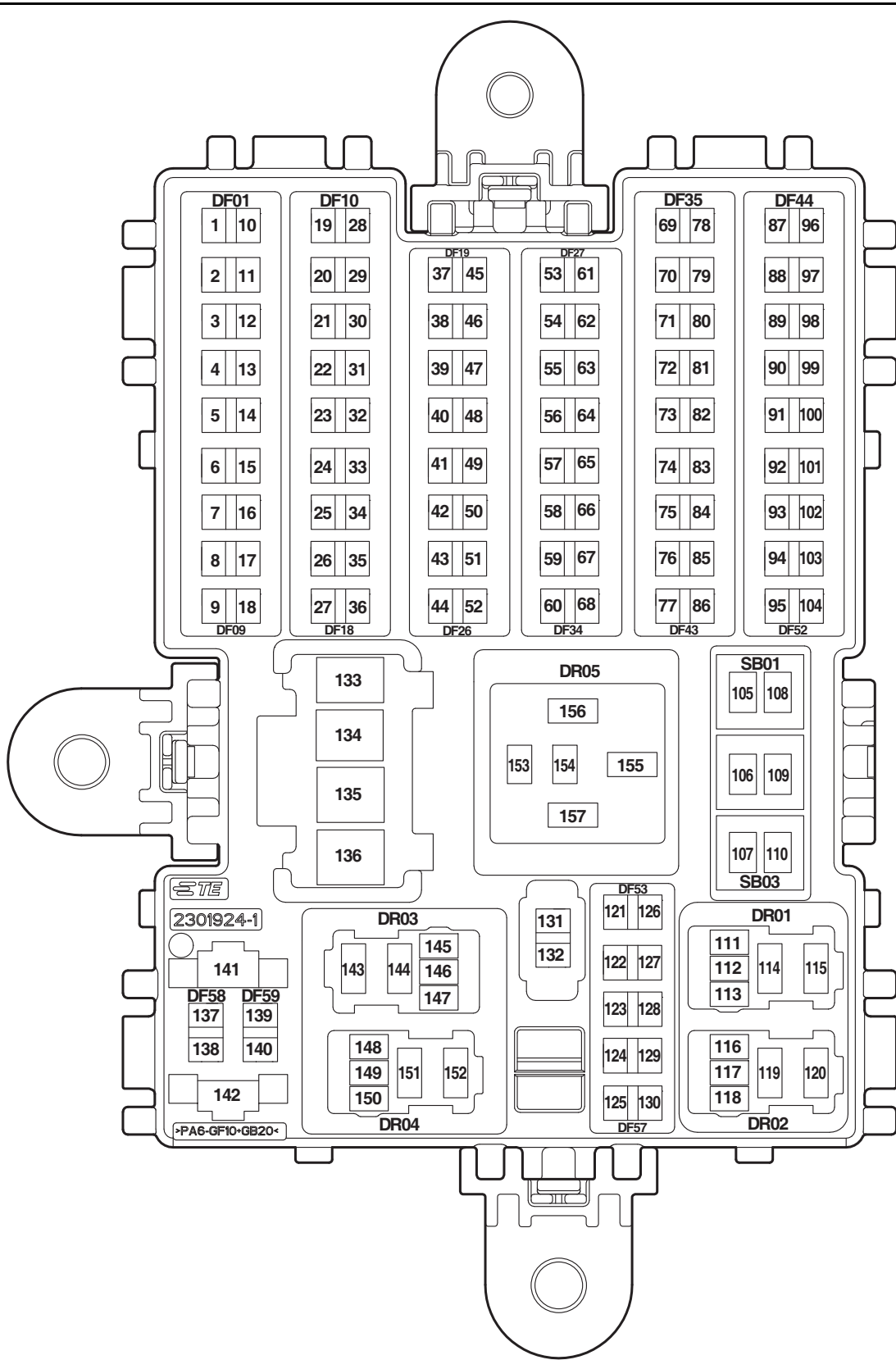
C6418001

Power Rearview Mirror Adjusting



C6418002

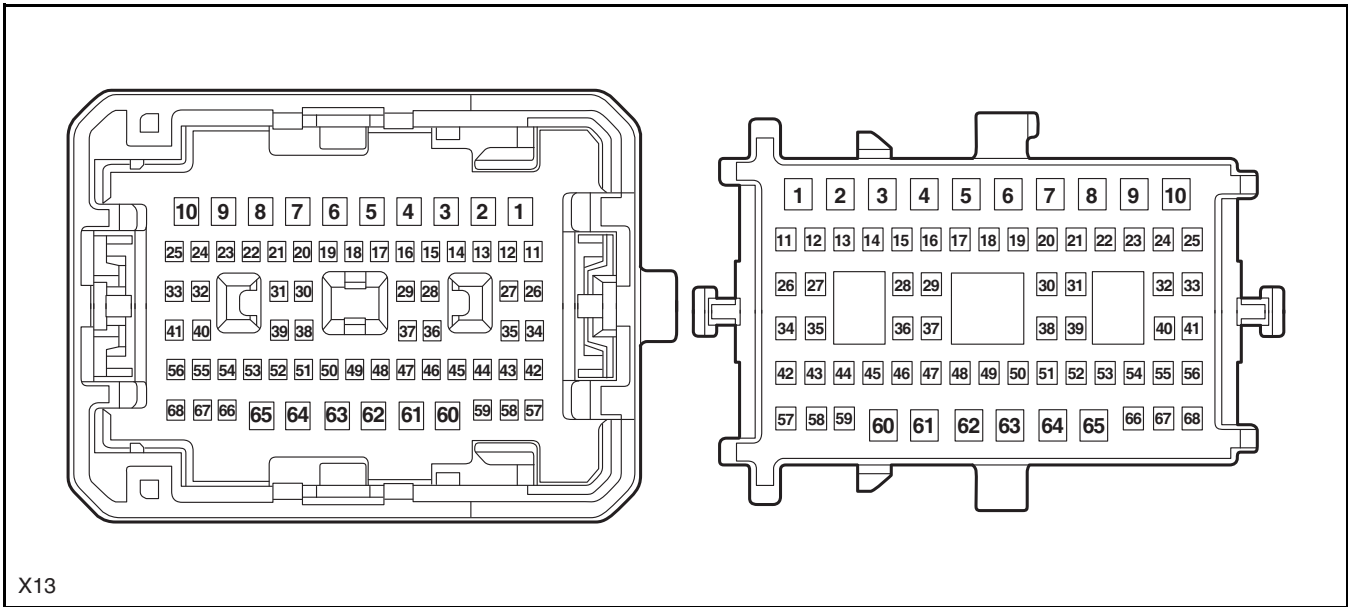
Instrument Panel Fuse Box



P01

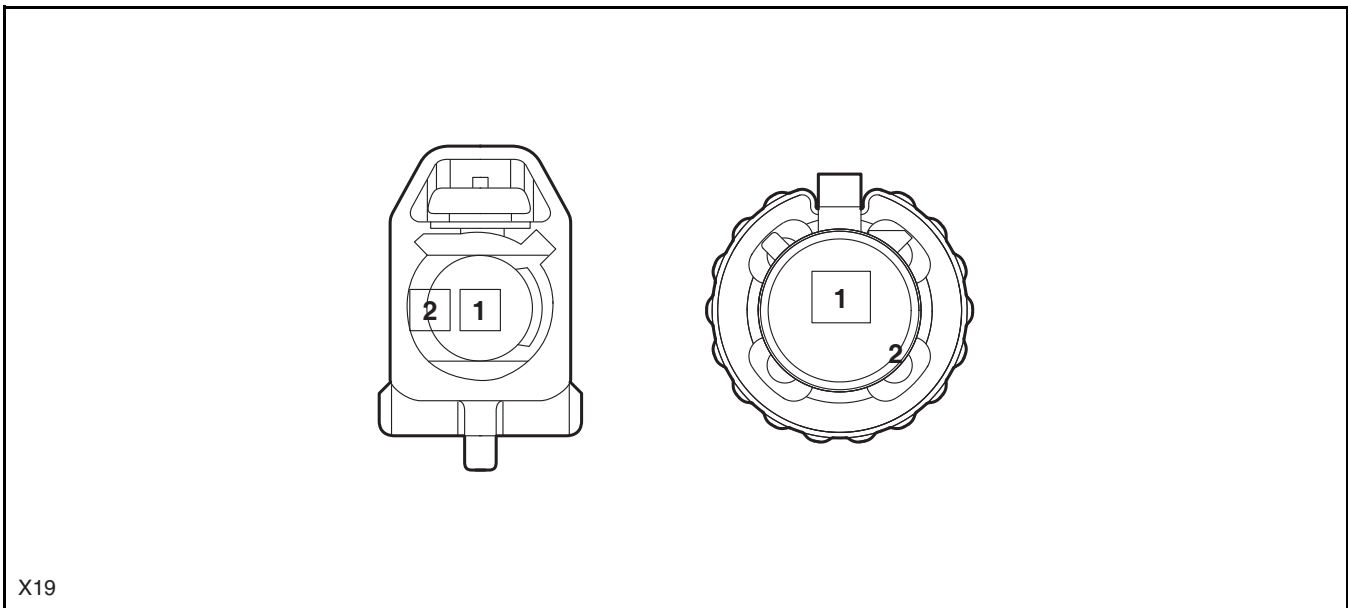
Chassis Wiring Harness to Instrument Panel Wiring Harness (Left 1)

Instrument Panel Wiring Harness (Left 1) to Chassis Wiring Harness



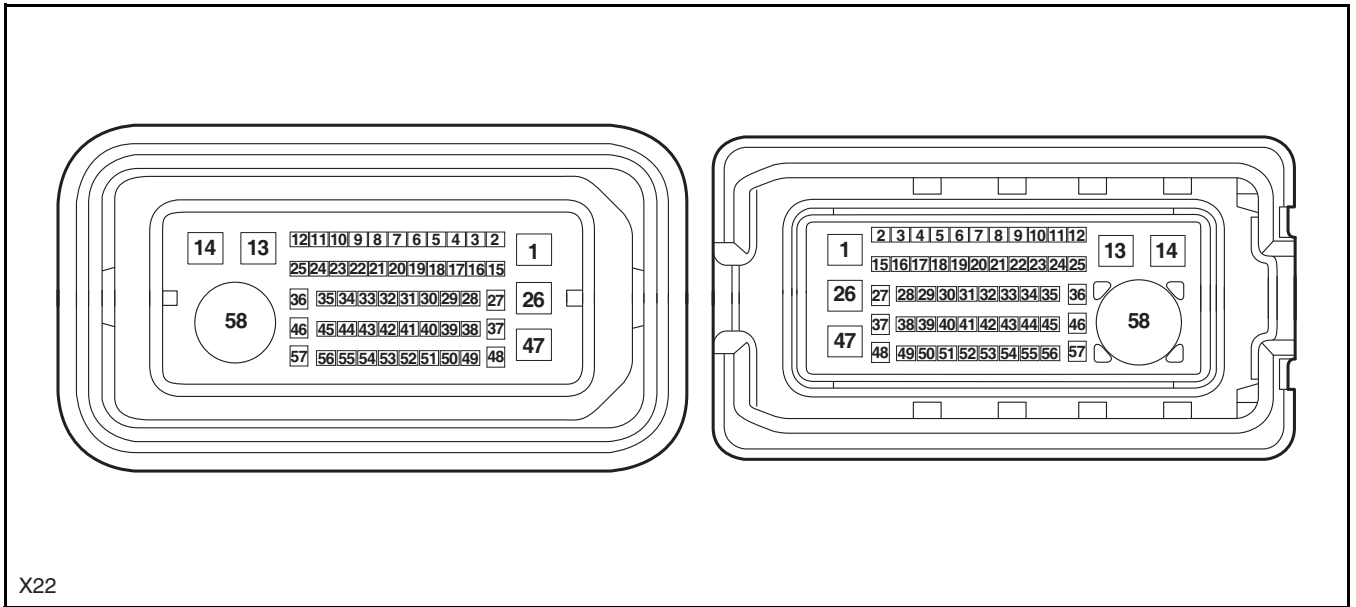
APA to HU (Camera - Right)

HU (Camera - Right) to APA



Chassis Wiring Harness to Right Front Door Wiring Harness

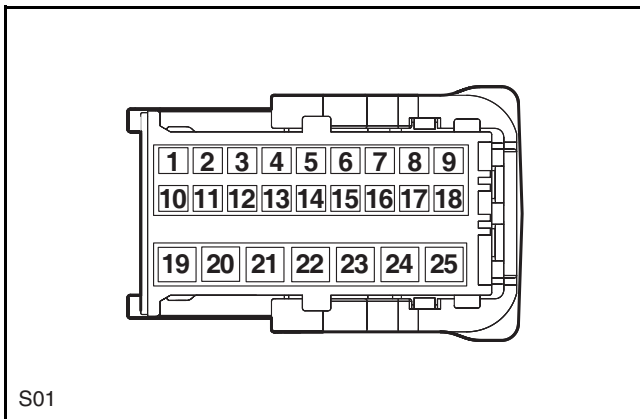
Right Front Door Wiring Harness to Chassis Wiring Harness



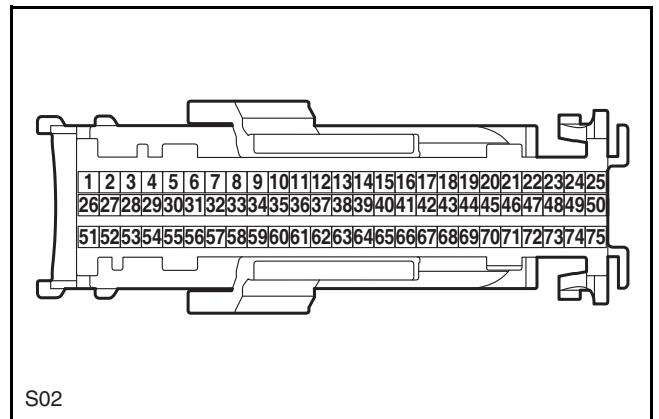
X22

BDC-J4 (Chassis)

BDC-J3 (Chassis)



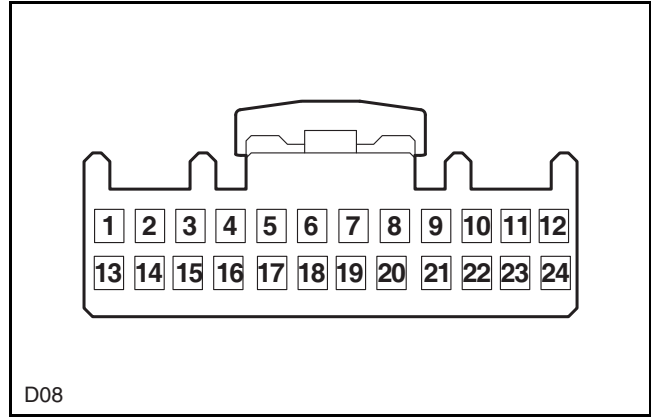
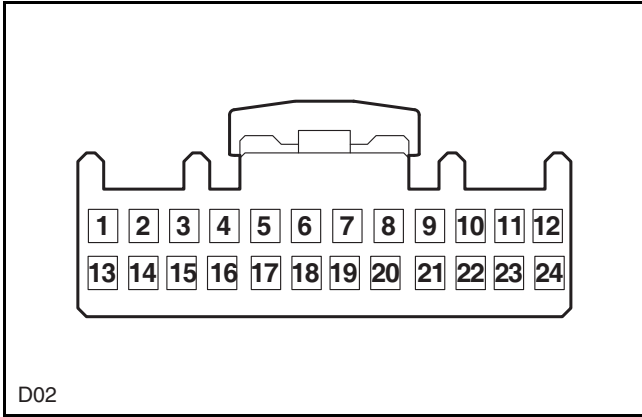
S01



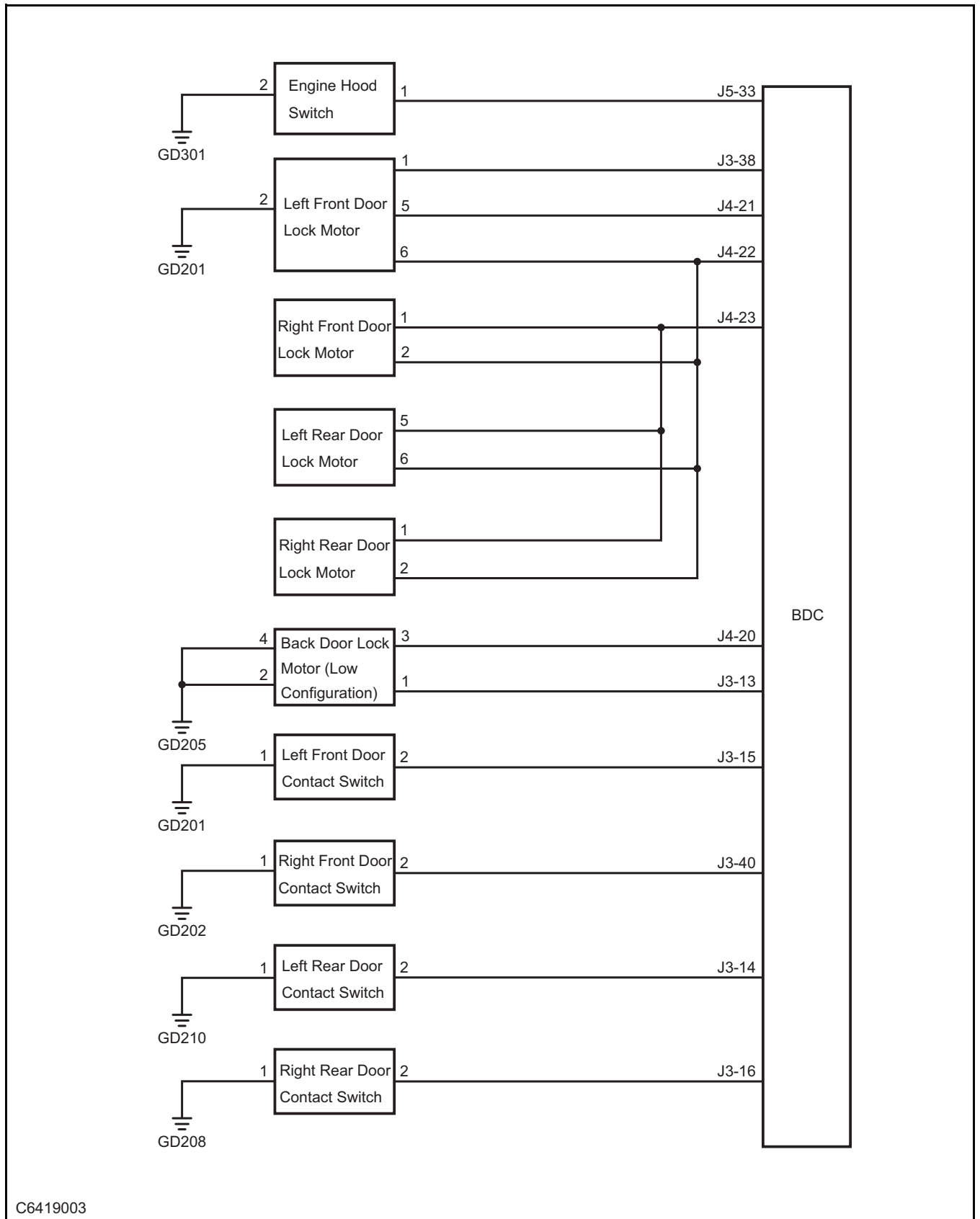
S02

Left Front Rearview Mirror

Right Front Rearview Mirror

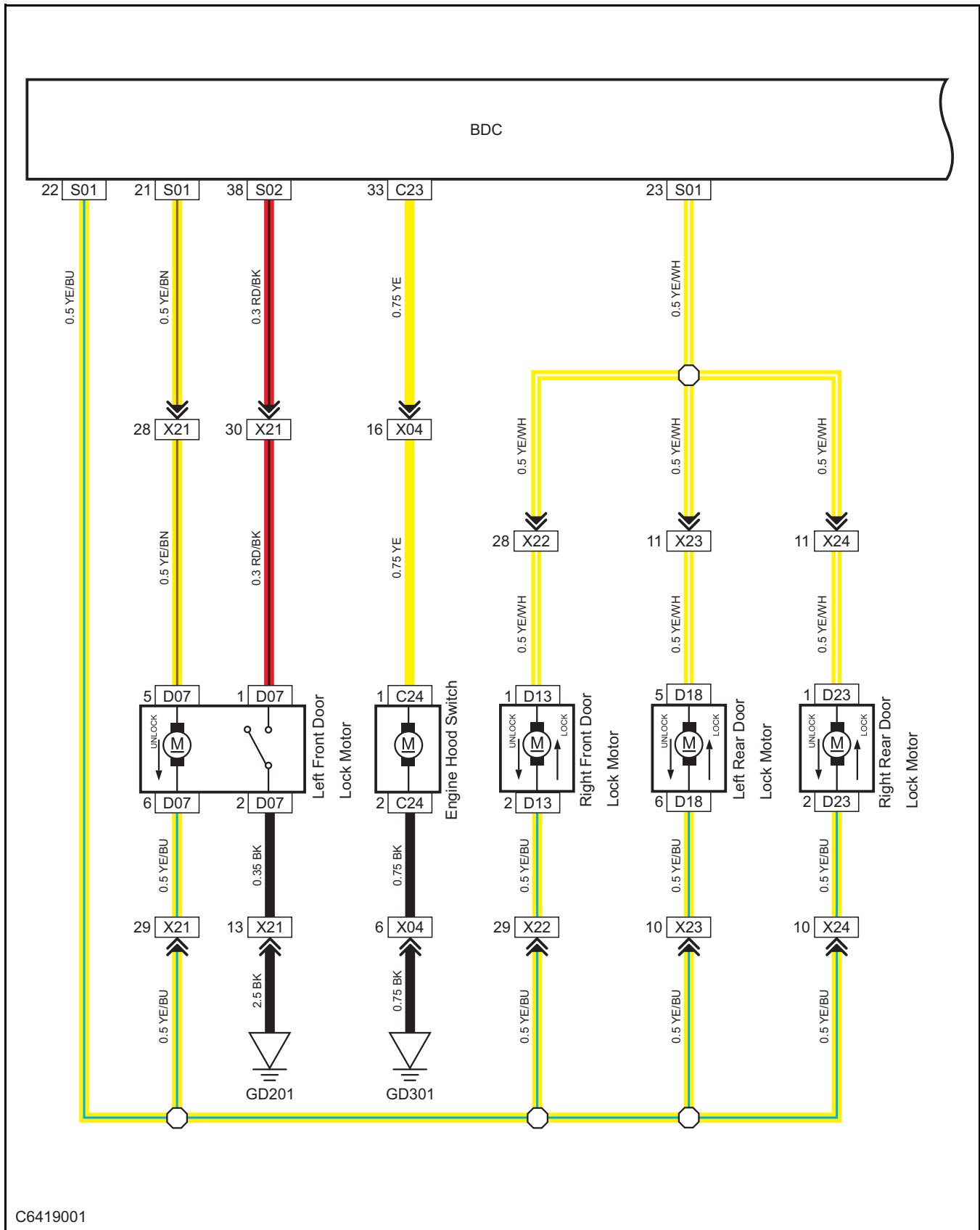


Central Door Lock and Body Theft Deterrent System

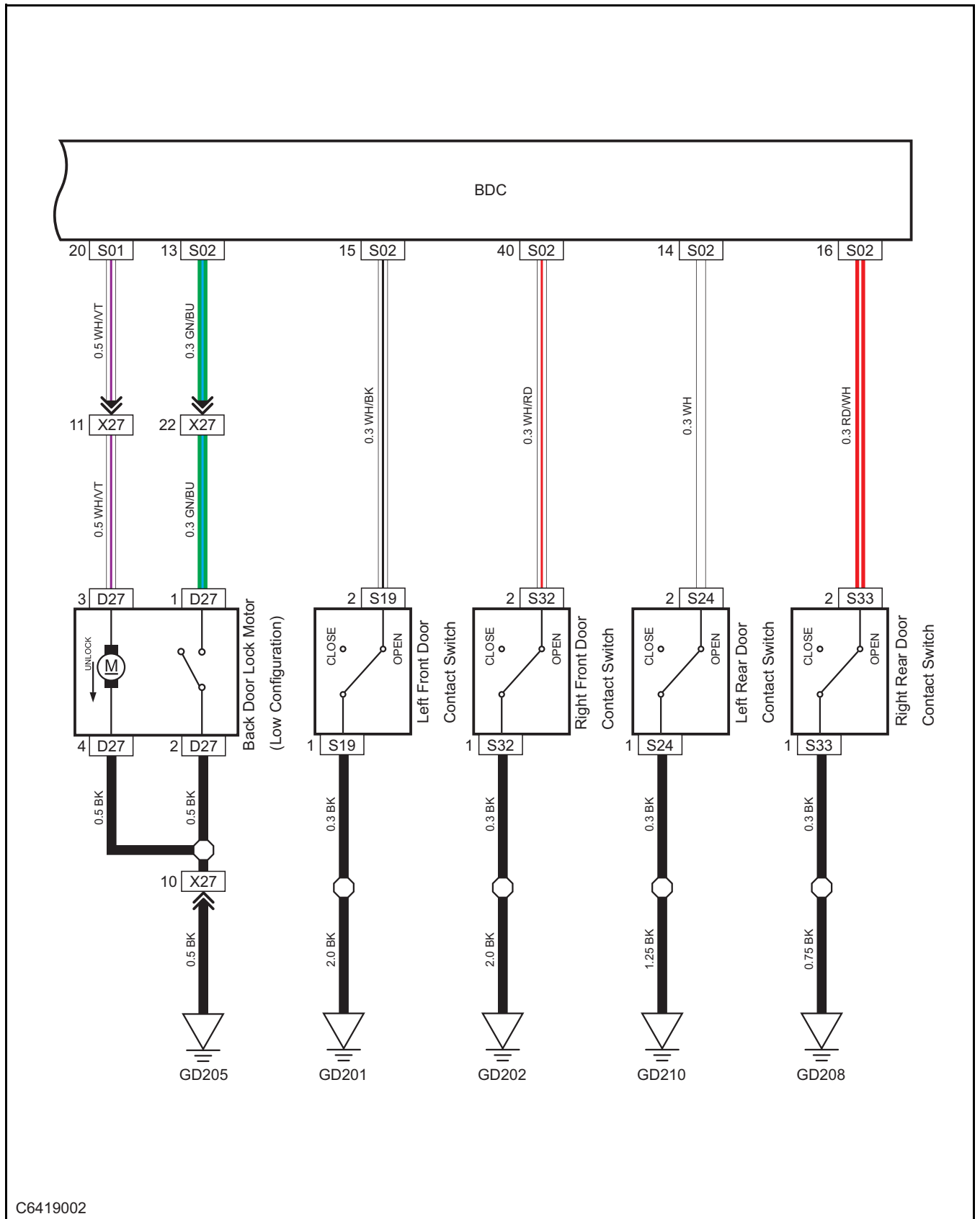


C6419003

Door Lock Motor/Oil Tank Cover Motor



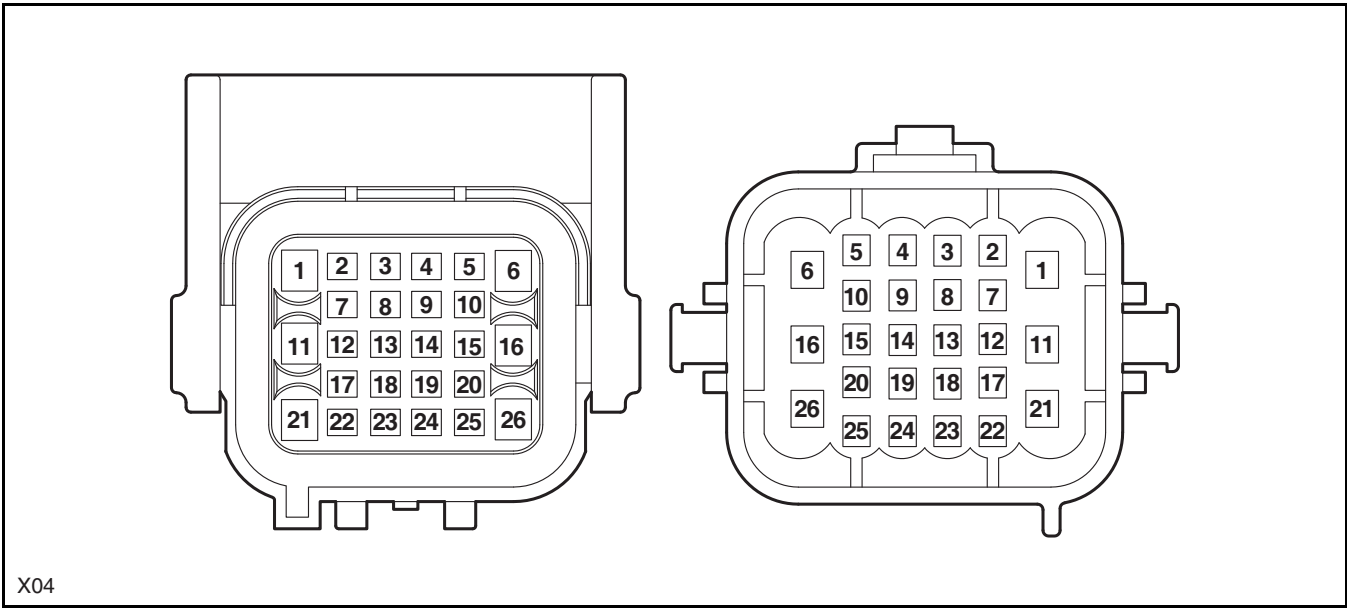
Door Contact Switch



C6419002

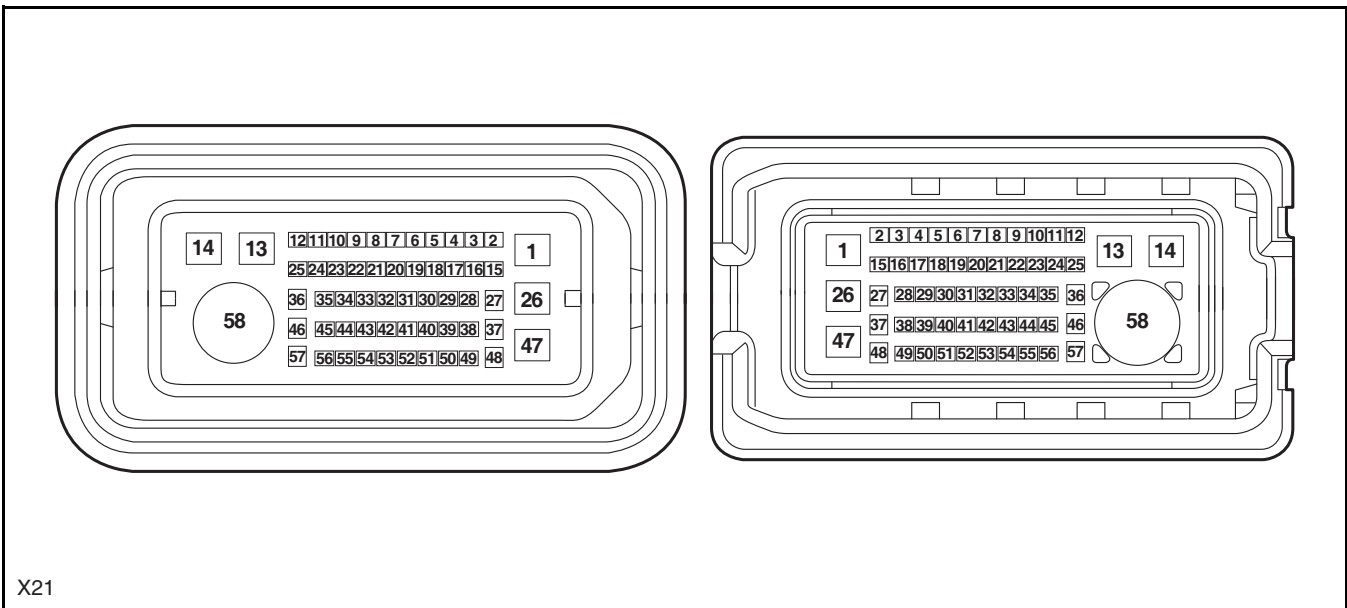
Engine Compartment Wiring Harness to Front End Module Wiring Harness

Front End Module Wiring Harness to Engine Compartment Wiring Harness



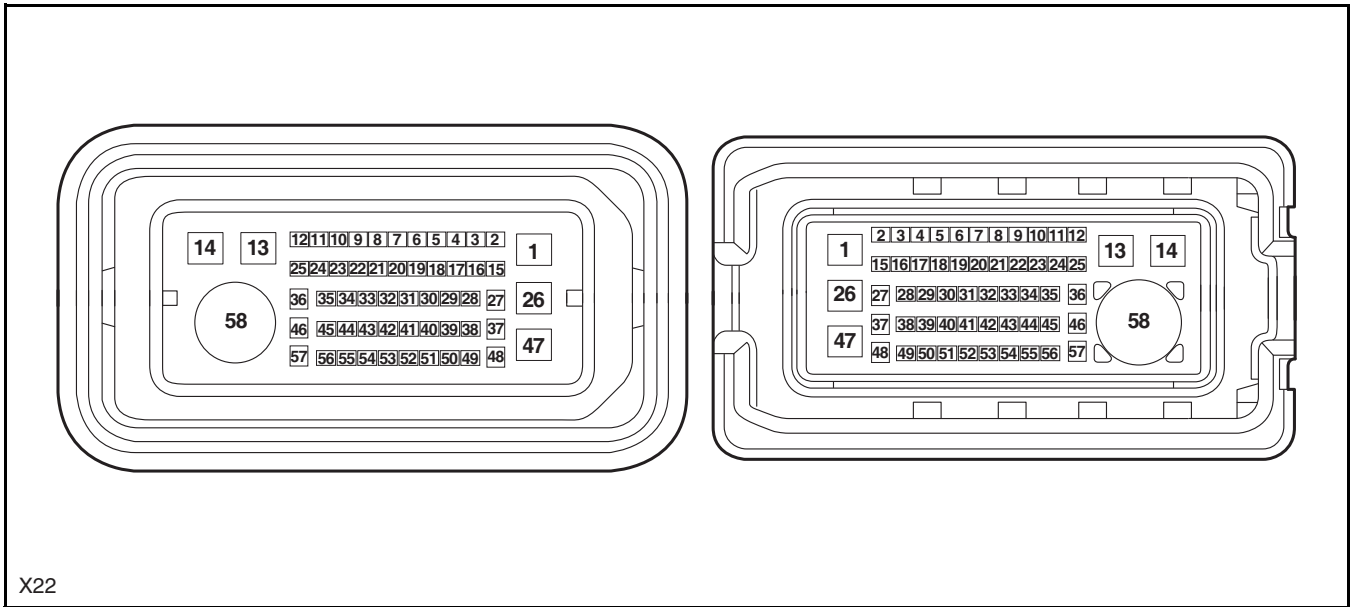
Chassis Wiring Harness to Left Front Door Wiring Harness

Left Front Door Wiring Harness to Chassis Wiring Harness



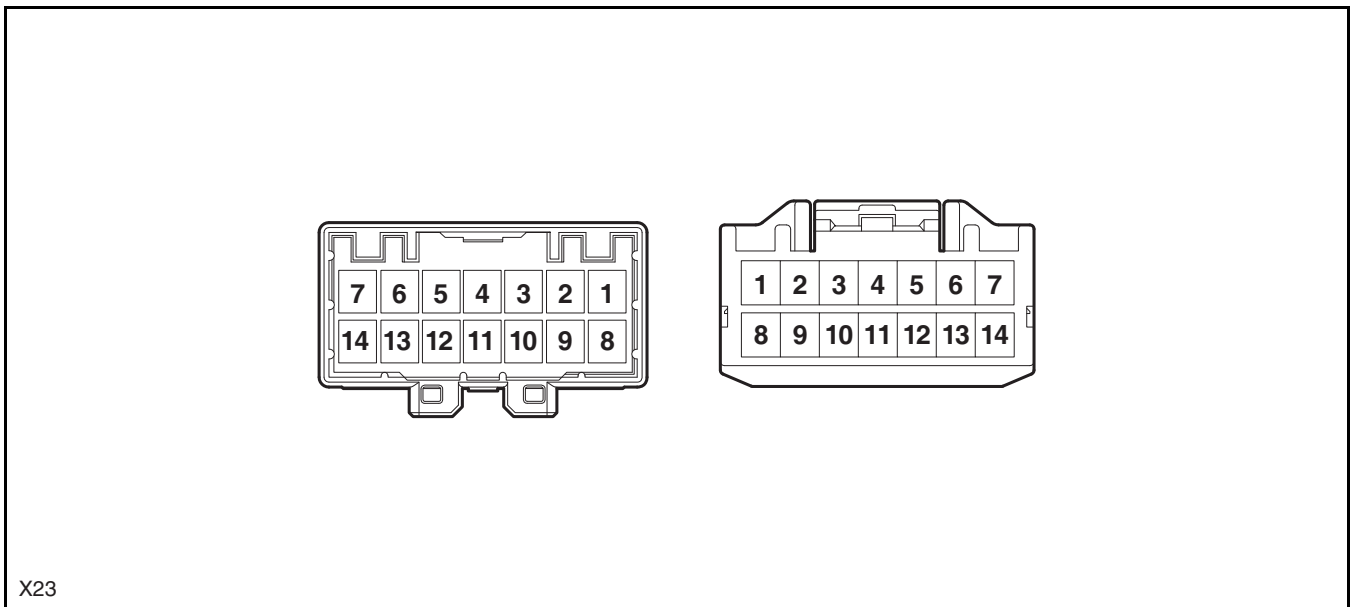
Chassis Wiring Harness to Right Front Door Wiring Harness

Right Front Door Wiring Harness to Chassis Wiring Harness



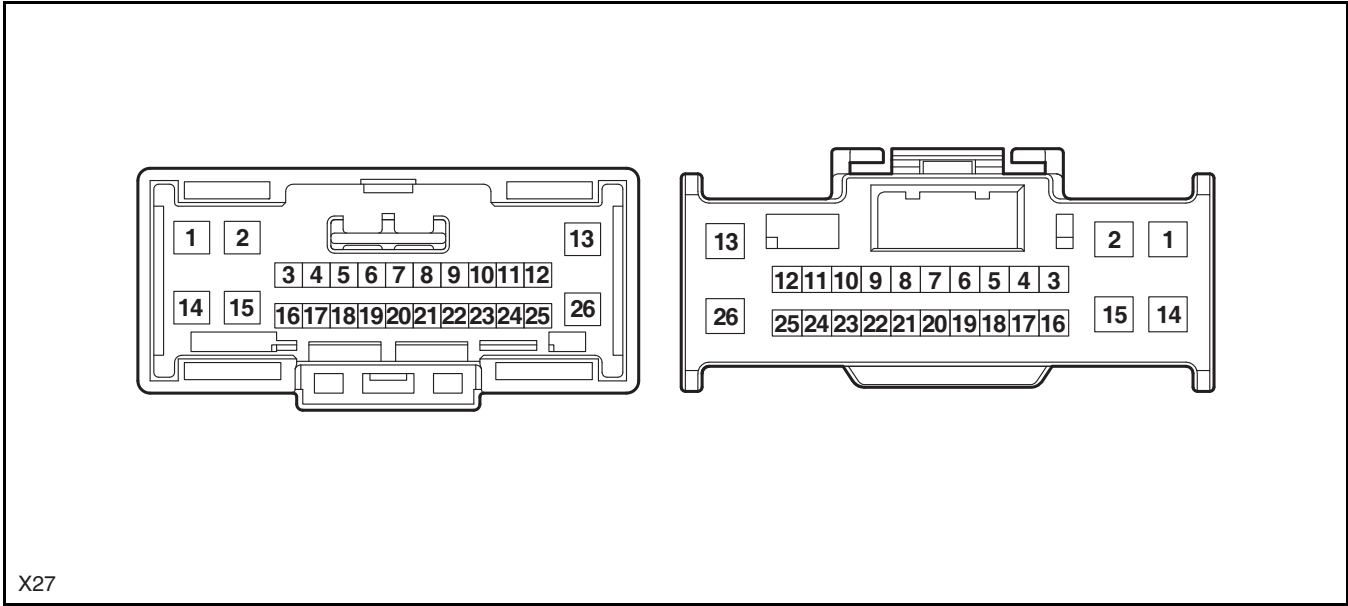
Chassis Wiring Harness to Left Rear Door Wiring Harness

Left Rear Door Wiring Harness to Chassis Wiring Harness



Chassis Wiring Harness to Back Door Wiring Harness

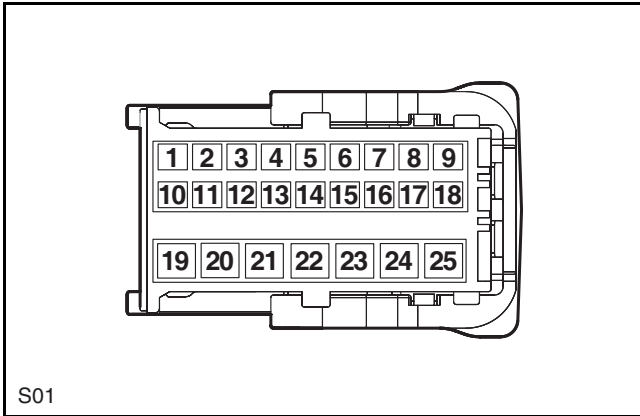
Back Door Wiring Harness to Chassis Wiring Harness



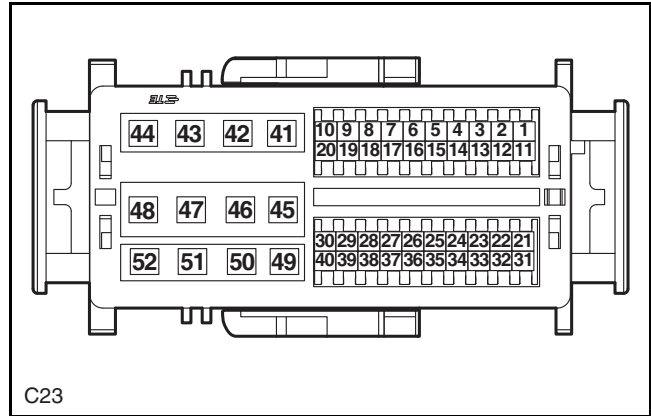
X27

BDC-J4 (Chassis)

BDC-J5

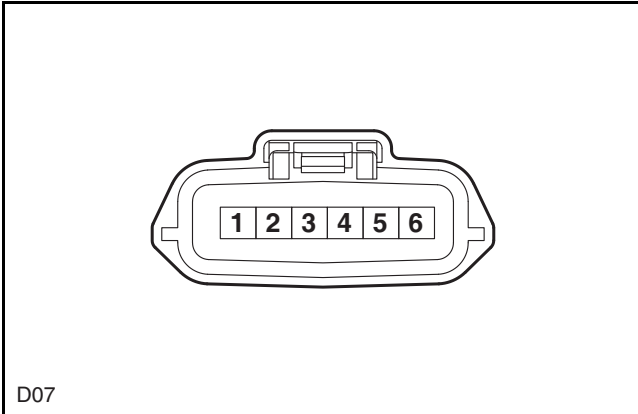


S01

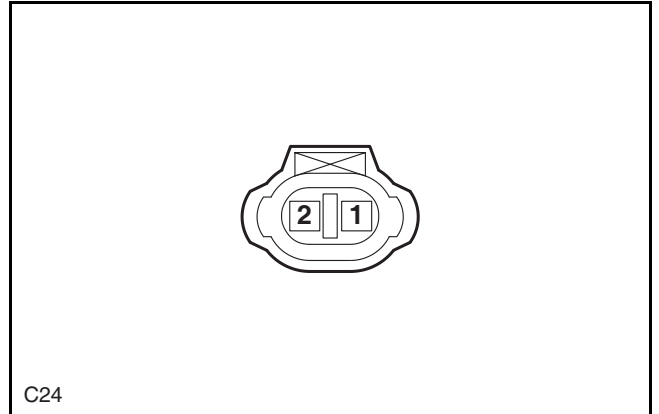


C23

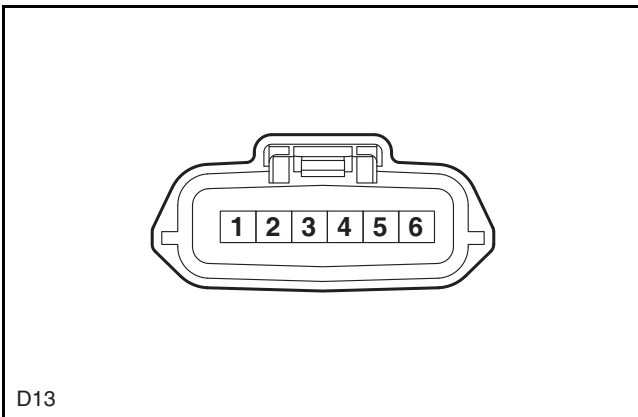
Left Front Door Lock Motor



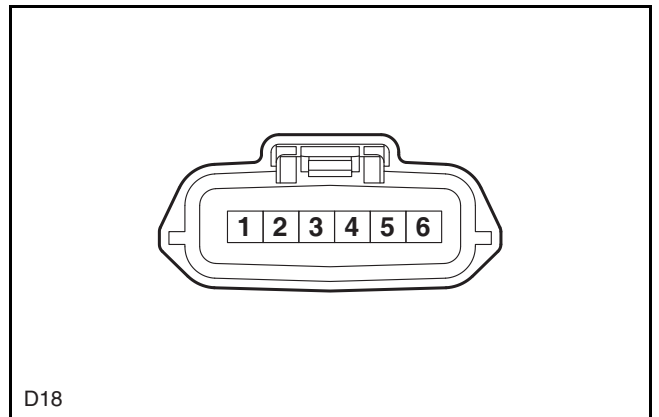
Engine Hood Switch



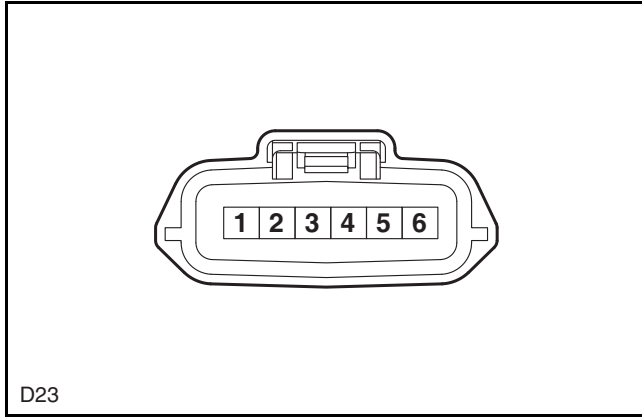
Right Front Door Lock Motor



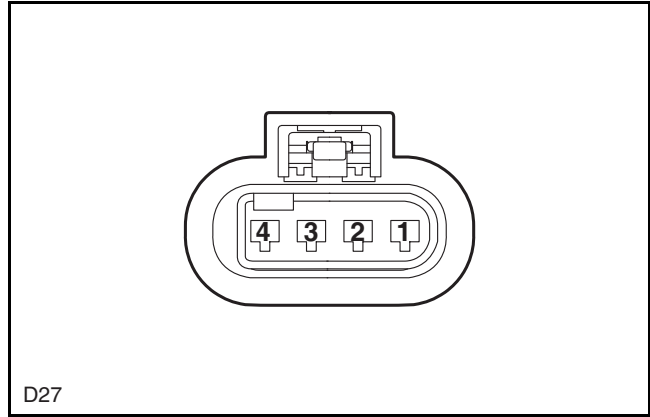
Left Rear Door Lock Motor



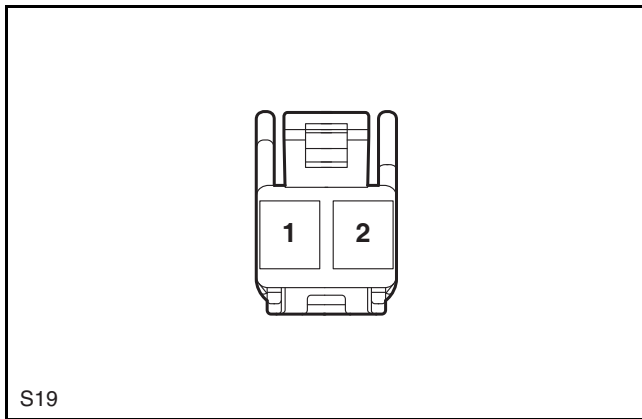
Right Rear Door Lock Motor



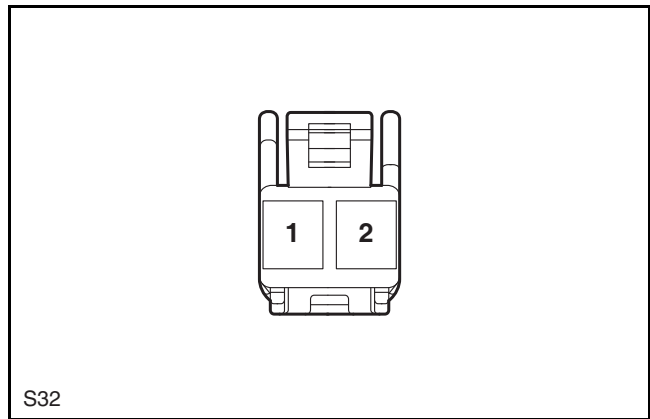
Door Lock Motor - Back Door (Low Configuration)



Left Front Door Contact Switch

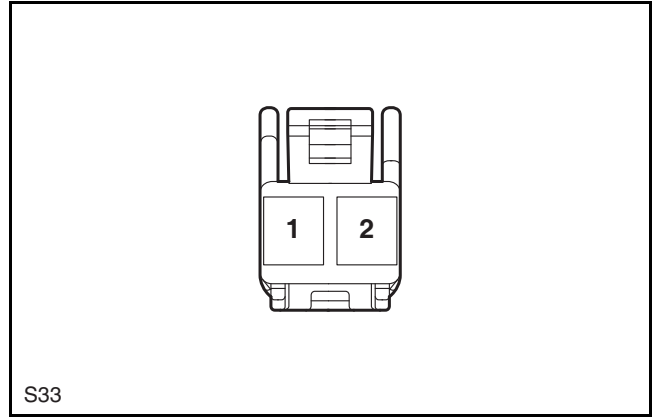
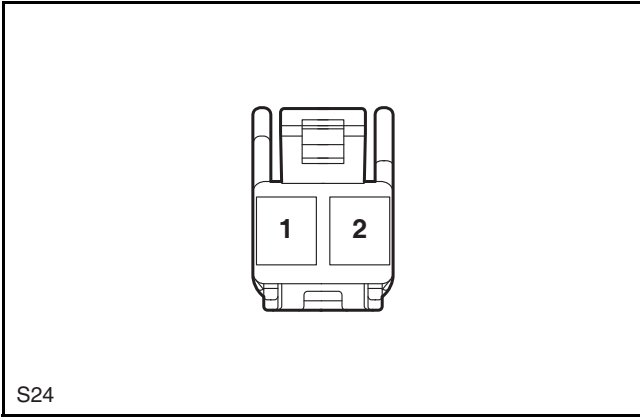


Right Front Door Contact Switch

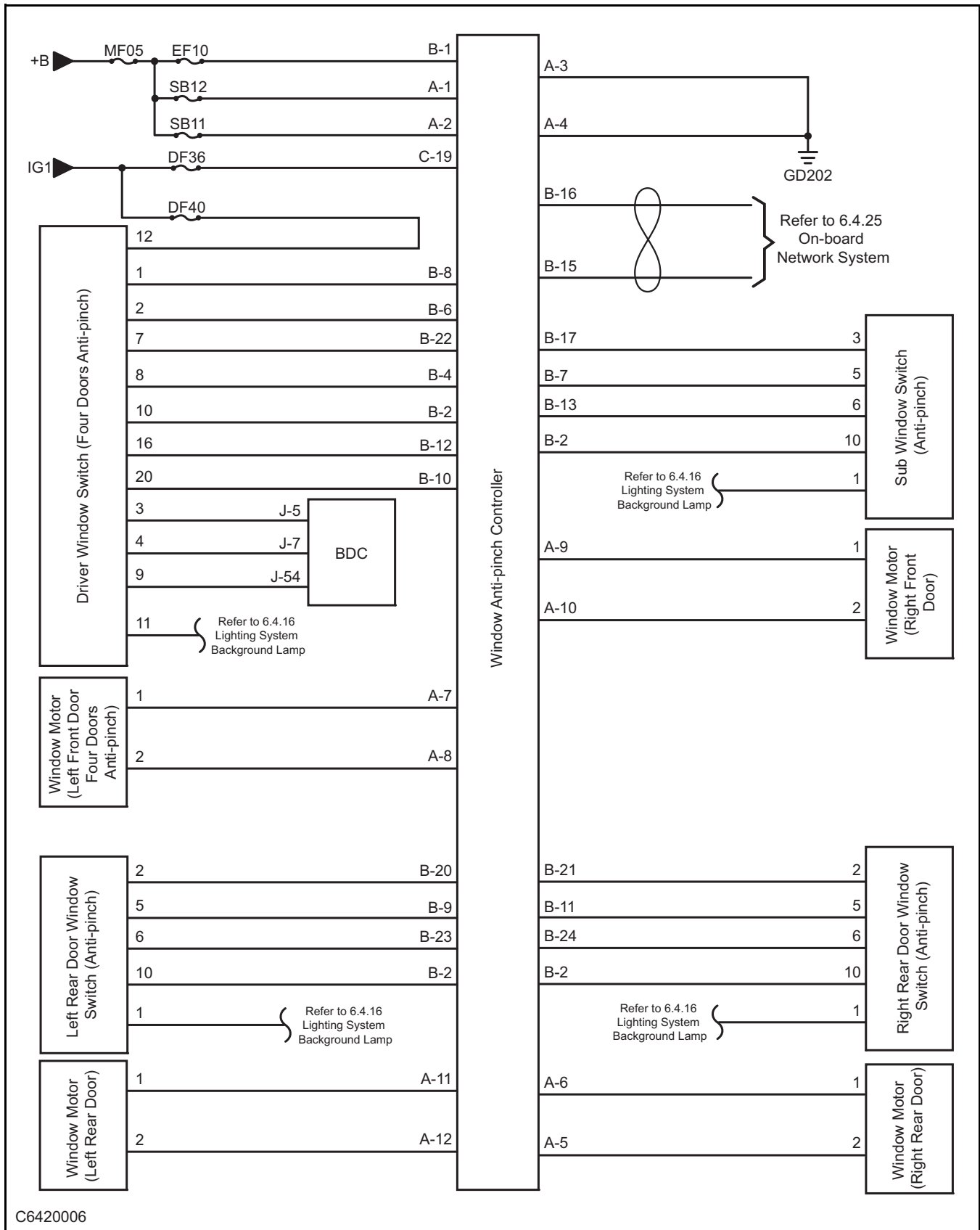


Left Rear Door Contact Switch

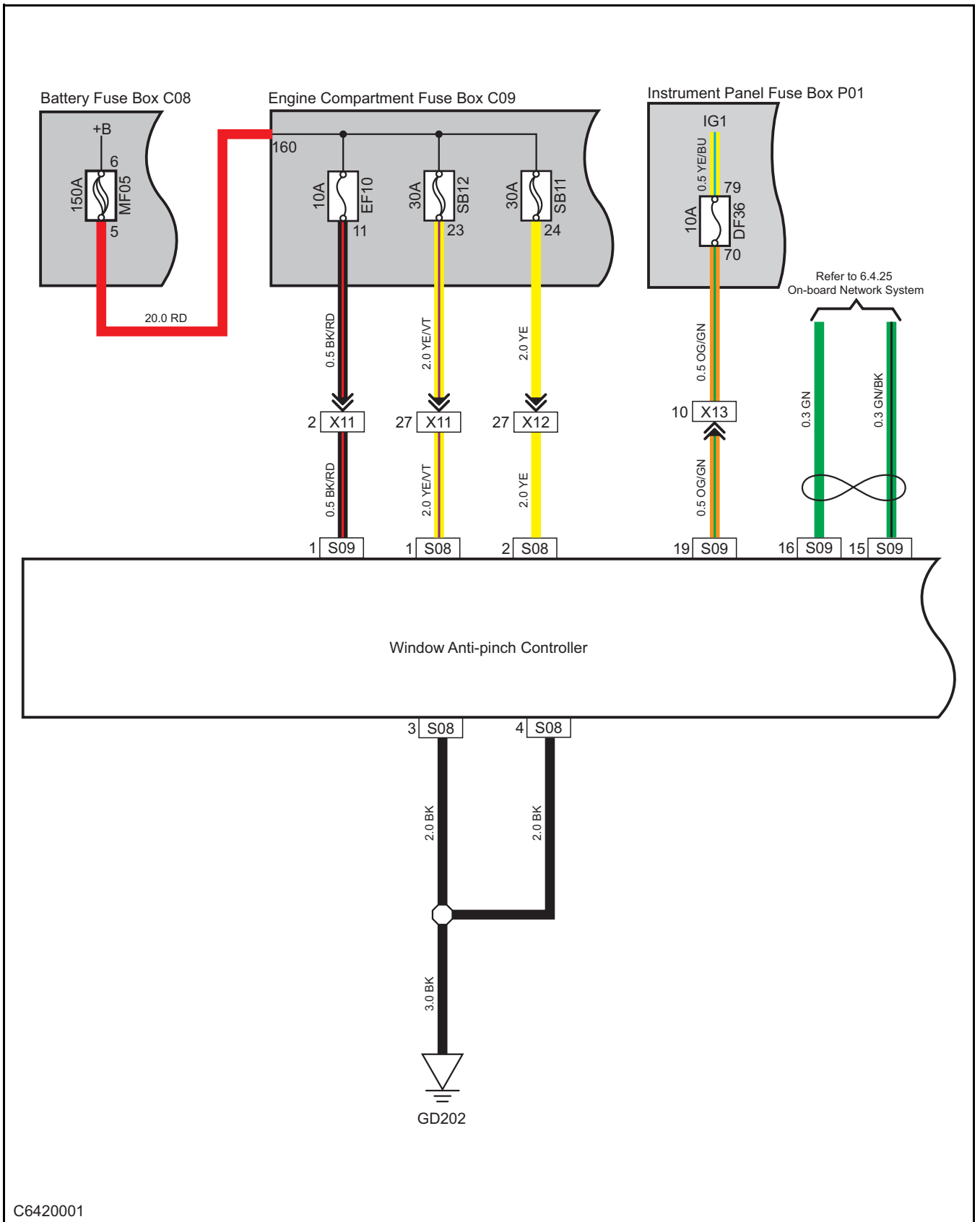
Right Rear Door Contact Switch



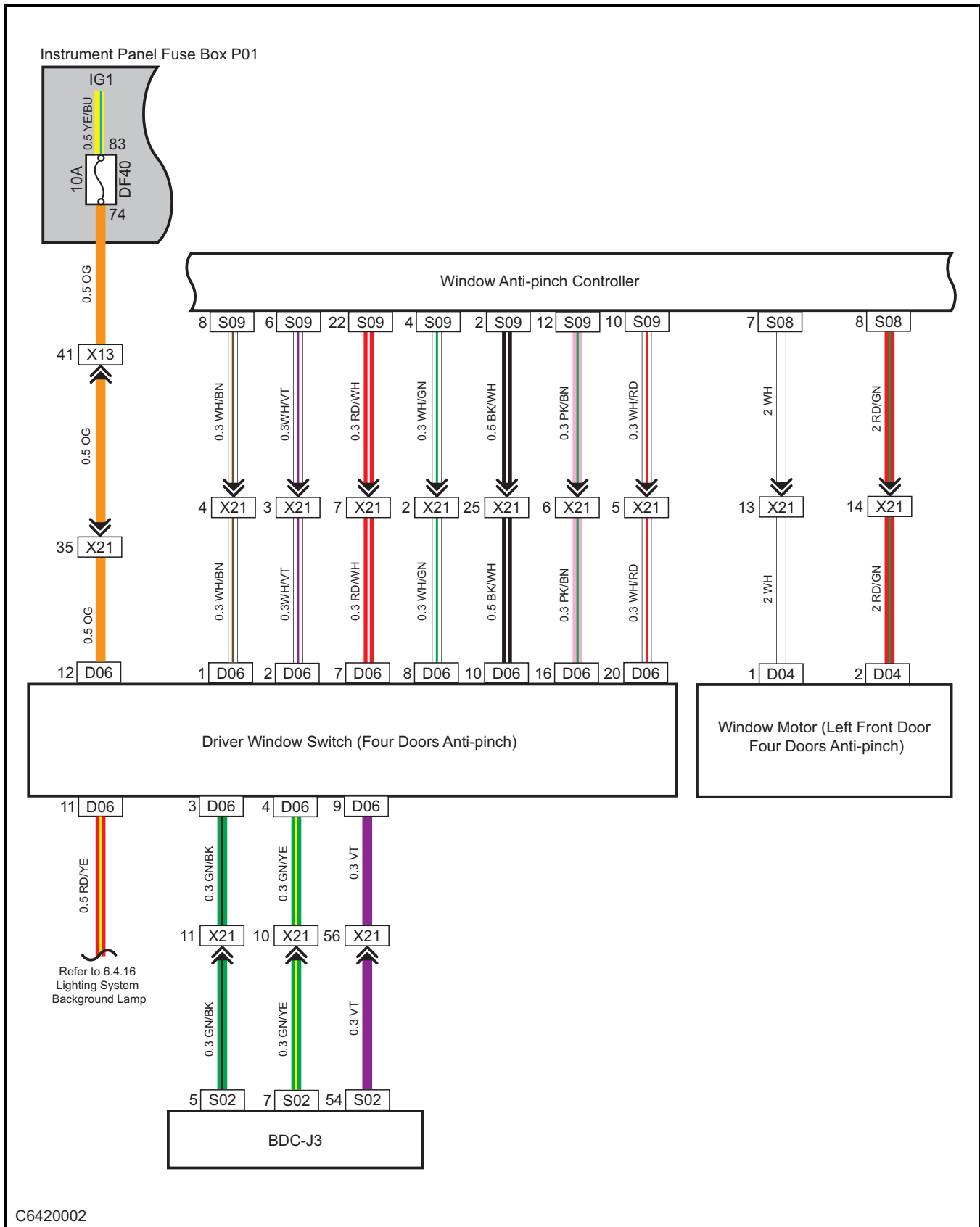
Power Window System



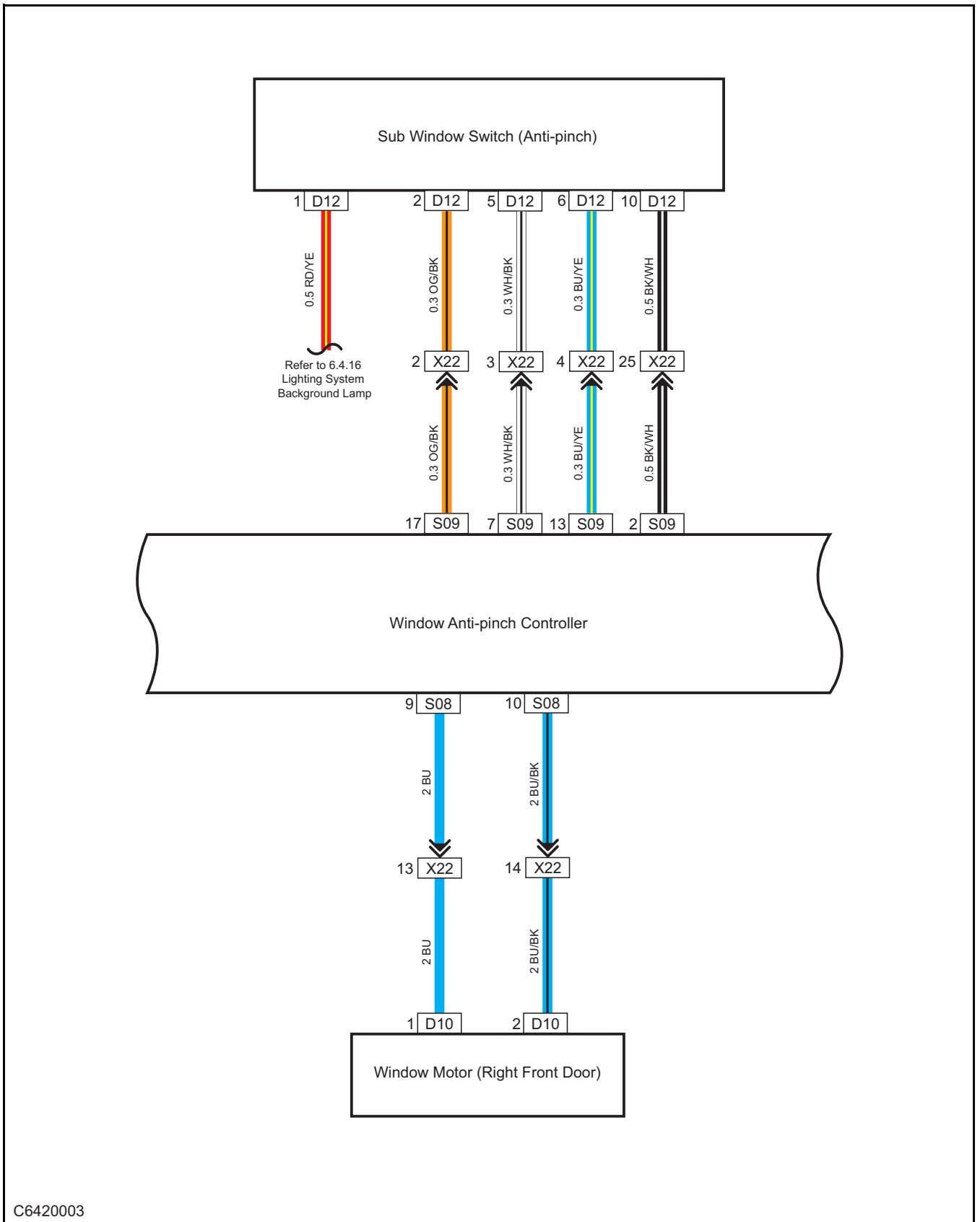
Window Anti-pinch Controller



Left Front Door Window

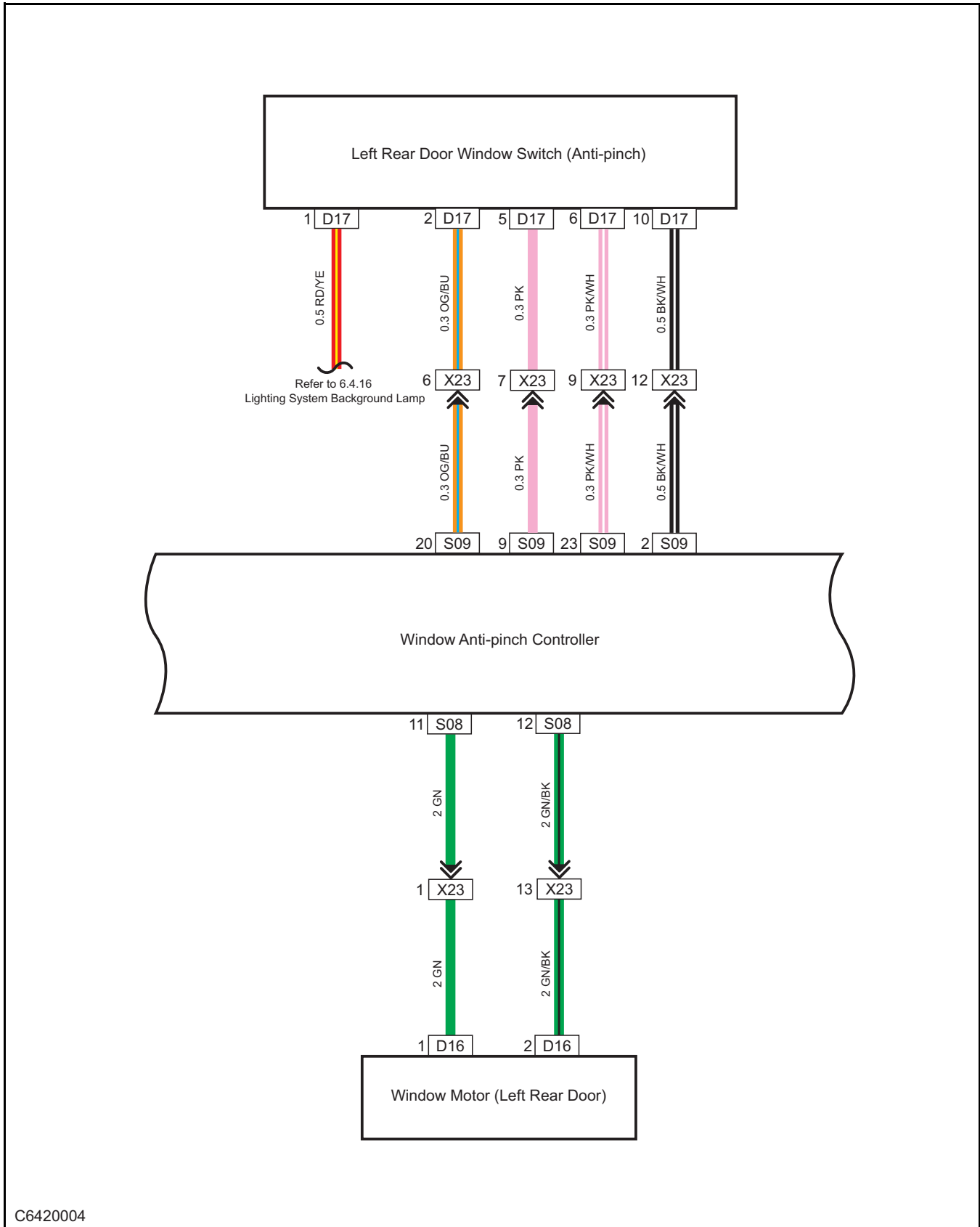


Right Front Door Window



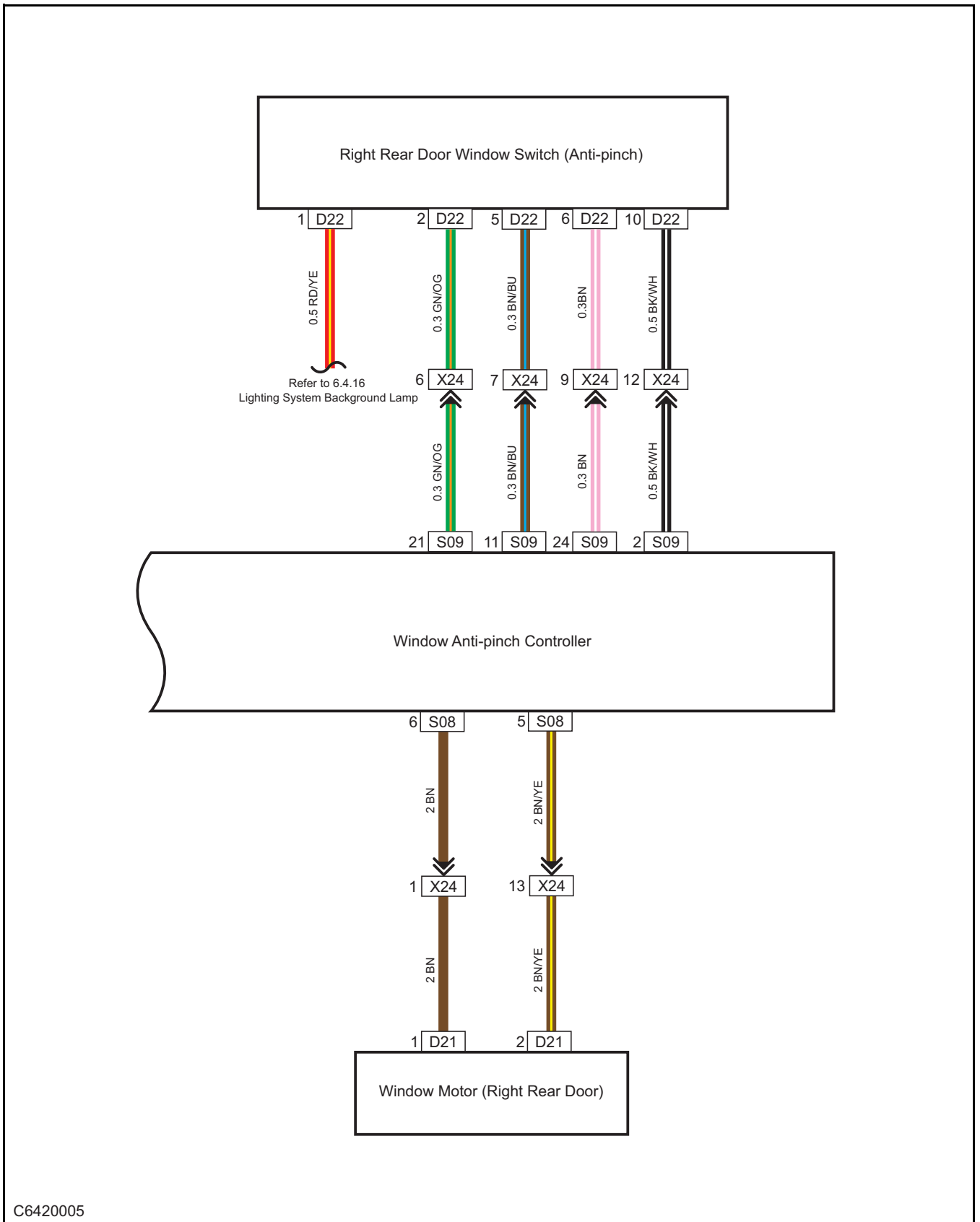
C6420003

Left Rear Door Window



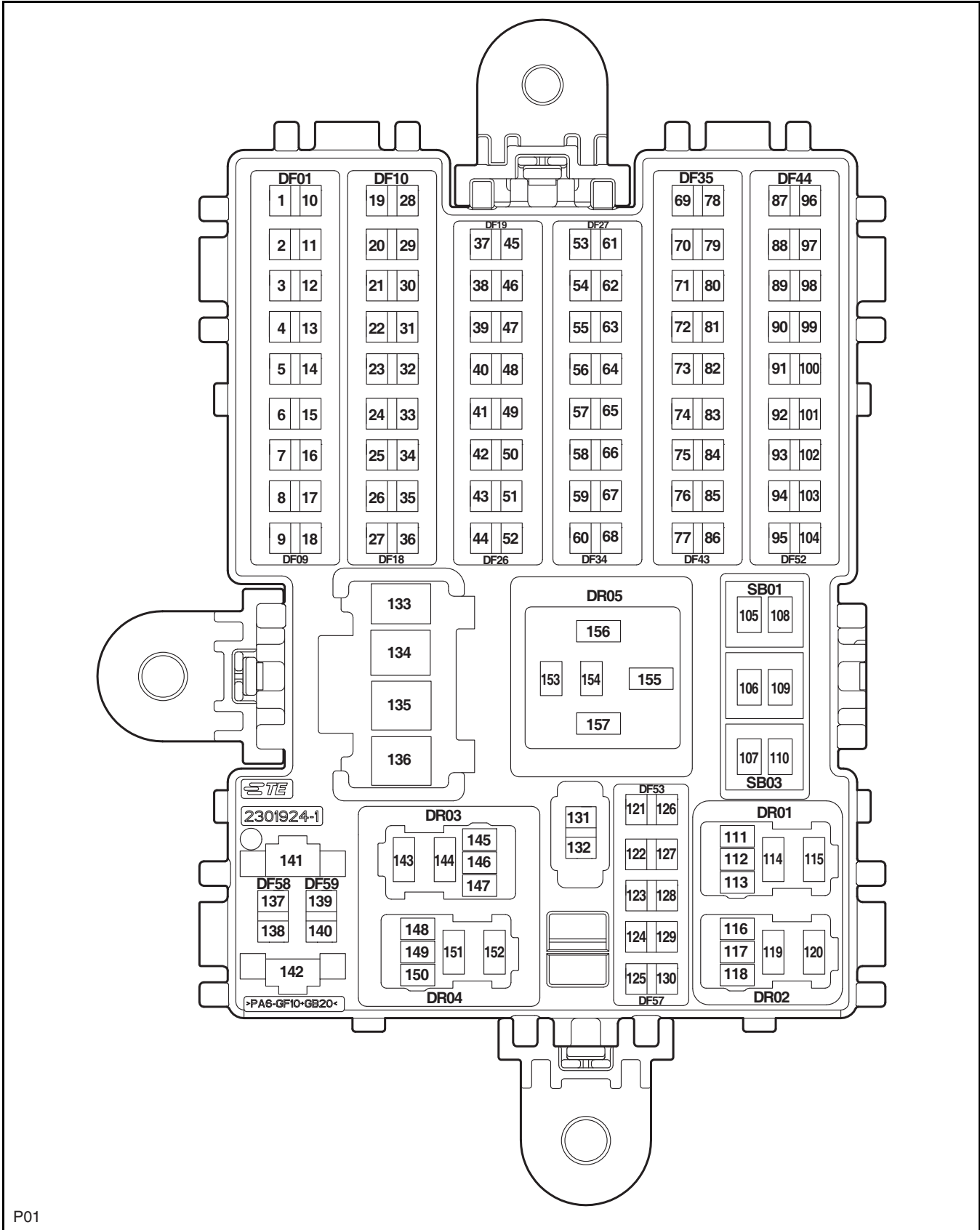
C6420004

Right Rear Door Window



C6420005

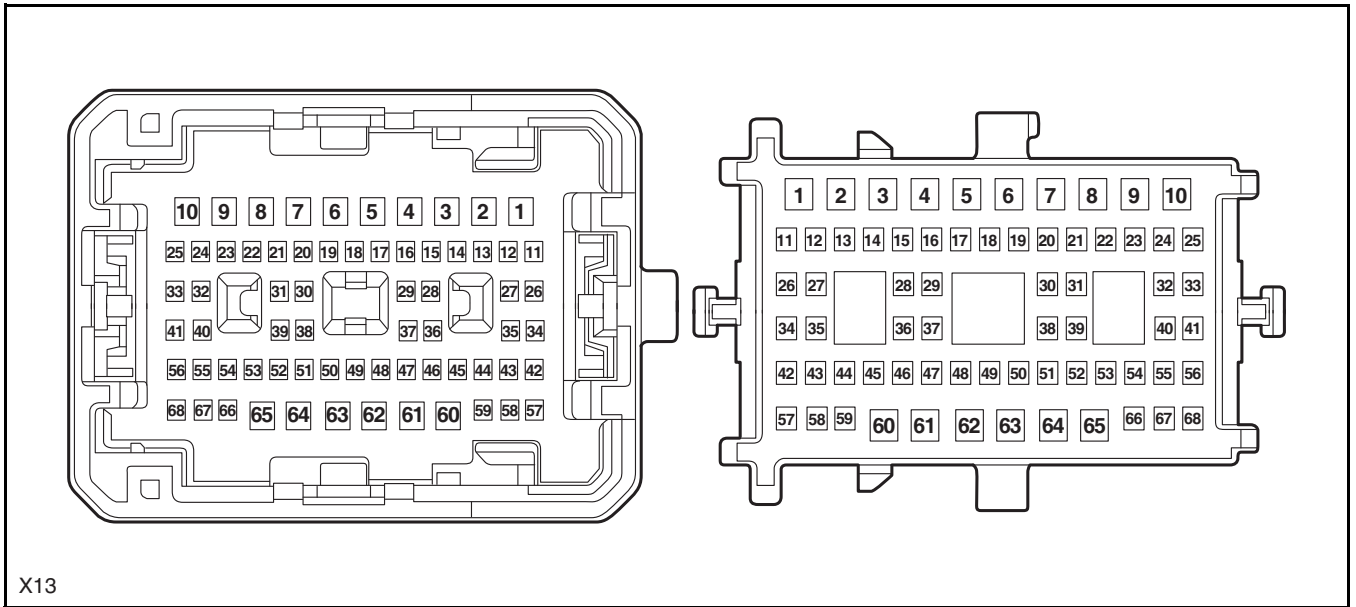
Instrument Panel Fuse Box



P01

Chassis Wiring Harness to Instrument Panel Wiring Harness (Left 1)

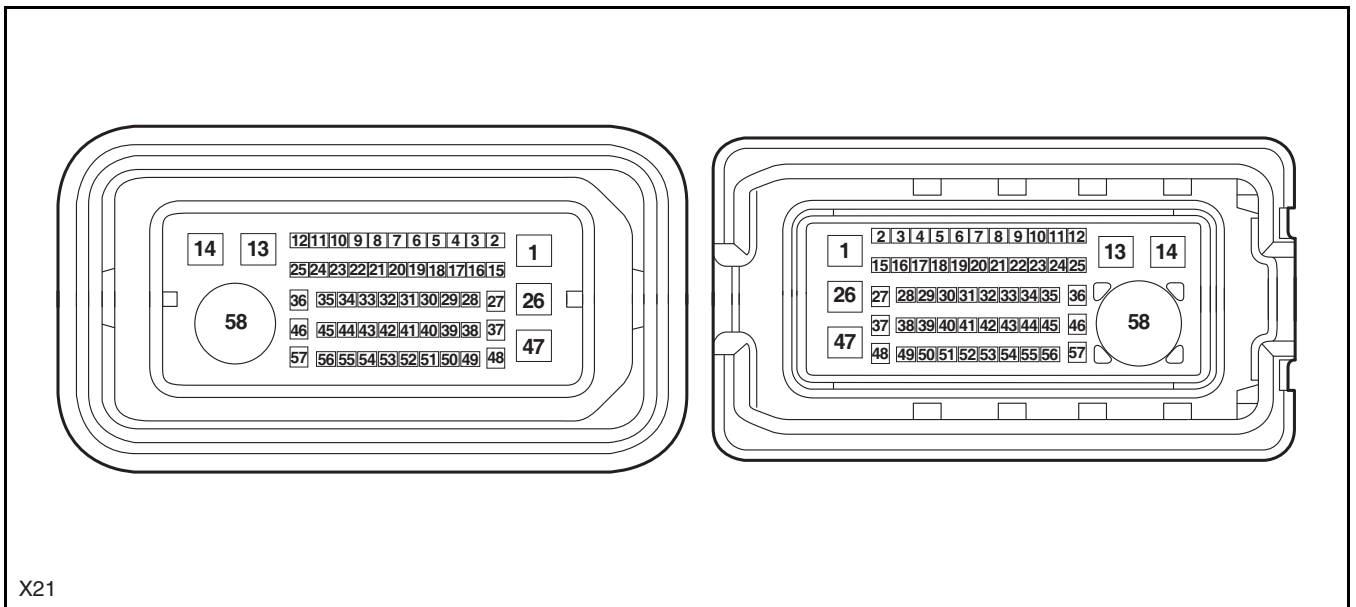
Instrument Panel Wiring Harness (Left 1) to Chassis Wiring Harness



X13

Chassis Wiring Harness to Left Front Door Wiring Harness

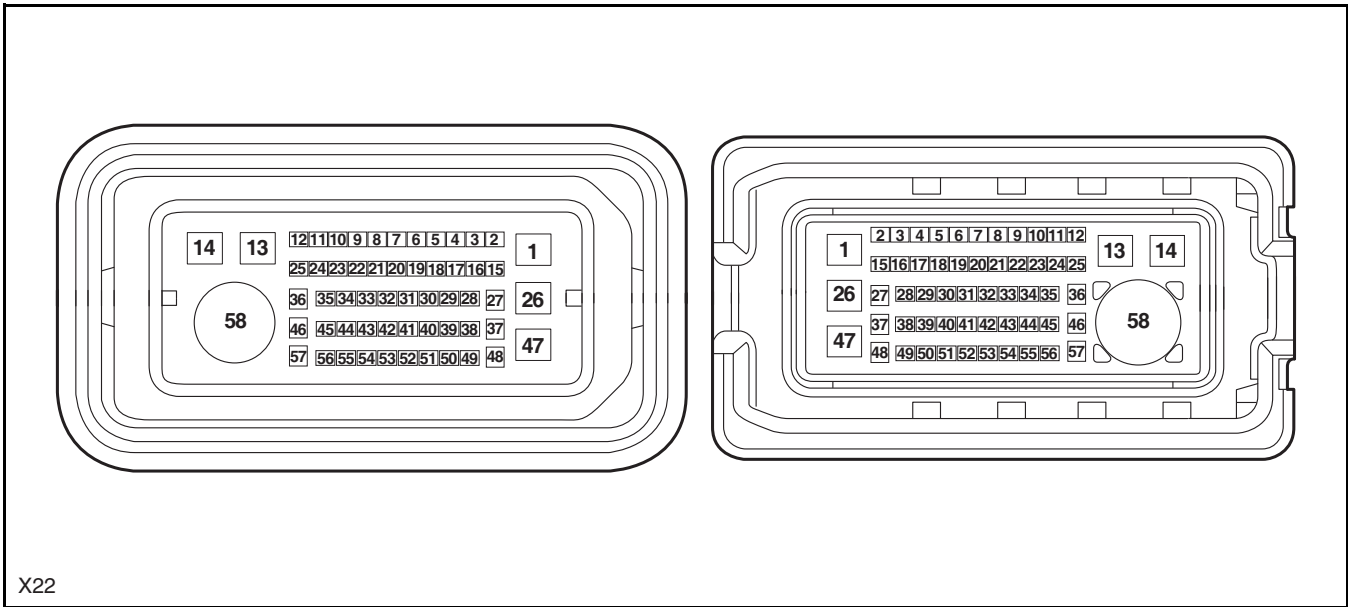
Left Front Door Wiring Harness to Chassis Wiring Harness



X21

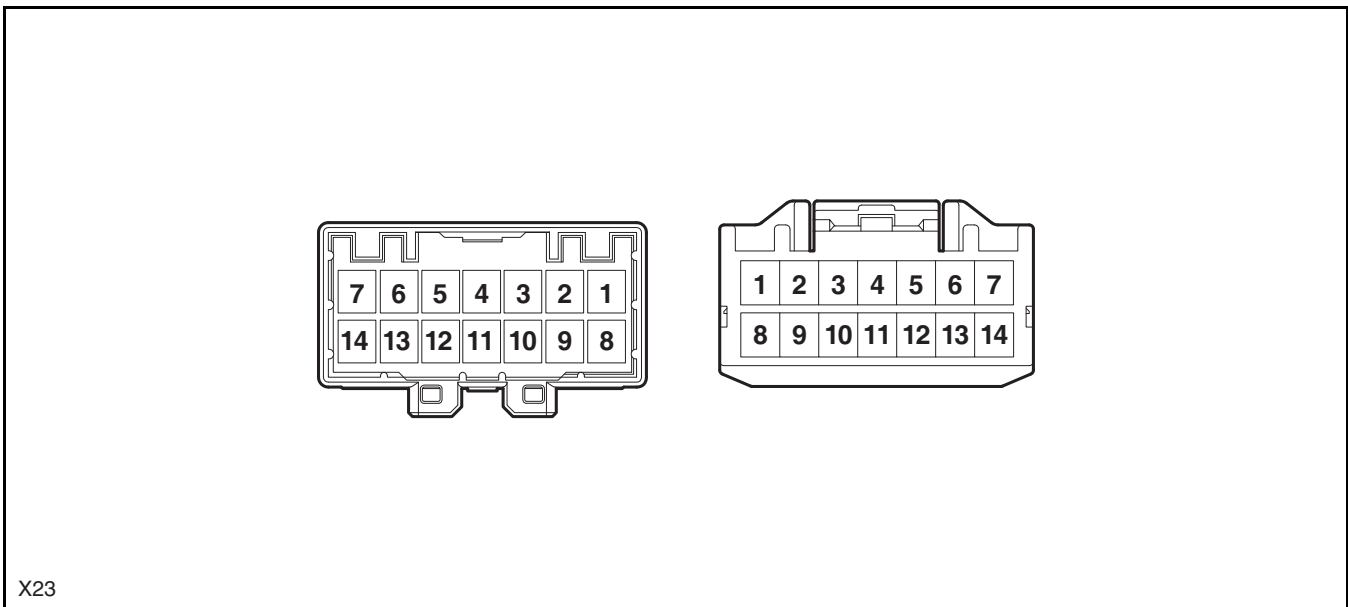
Chassis Wiring Harness to Right Front Door Wiring Harness

Right Front Door Wiring Harness to Chassis Wiring Harness



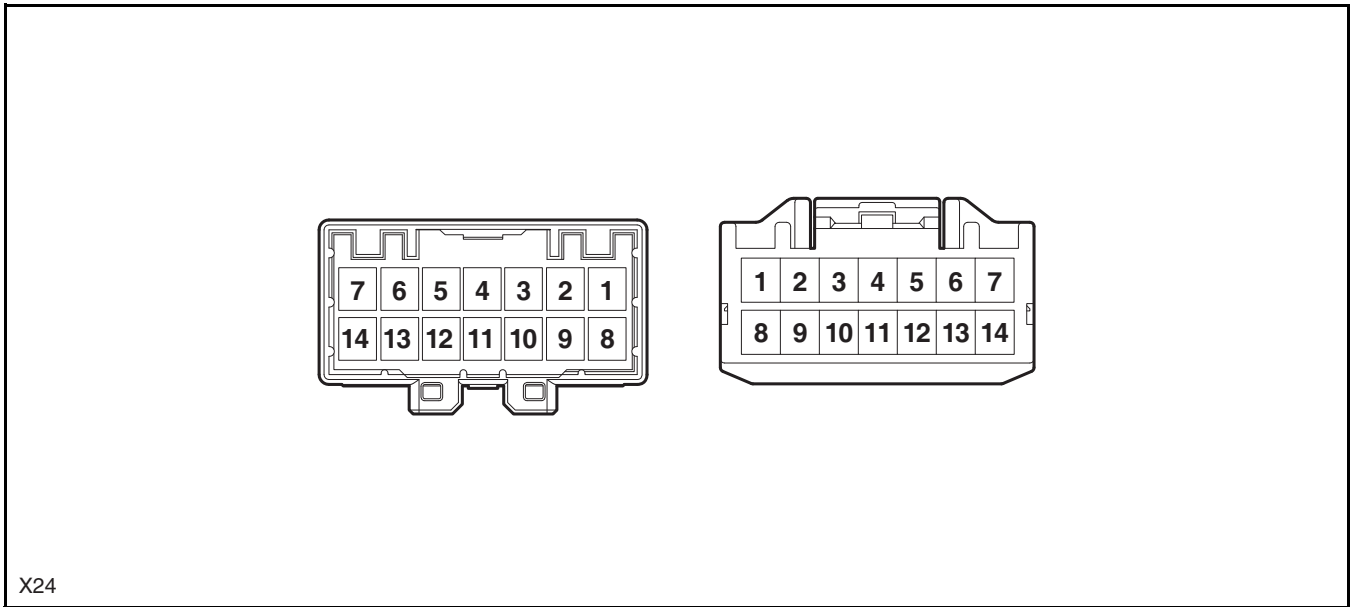
Chassis Wiring Harness to Left Rear Door Wiring Harness

Left Rear Door Wiring Harness to Chassis Wiring Harness



Chassis Wiring Harness to Right Rear Door Wiring Harness

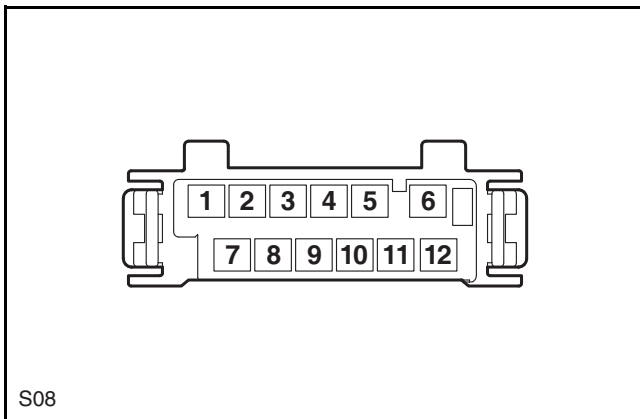
Right Rear Door Wiring Harness to Chassis Wiring Harness



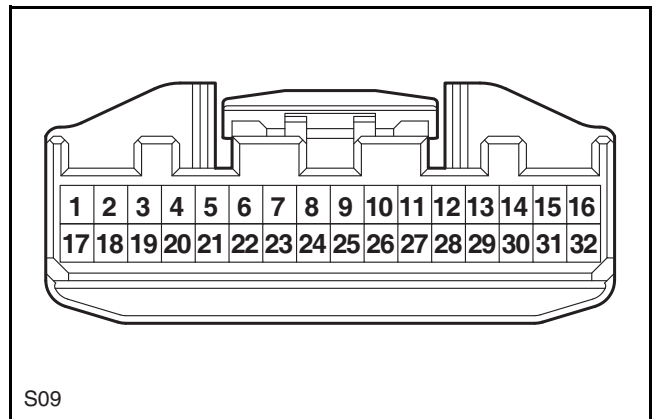
X24

Window Anti-pinch Controller A

Window Anti-pinch Controller B



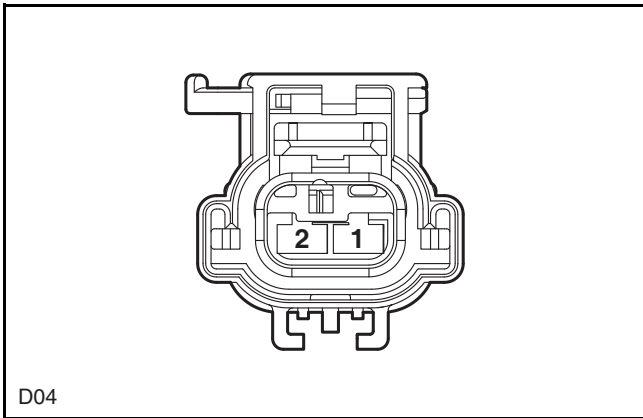
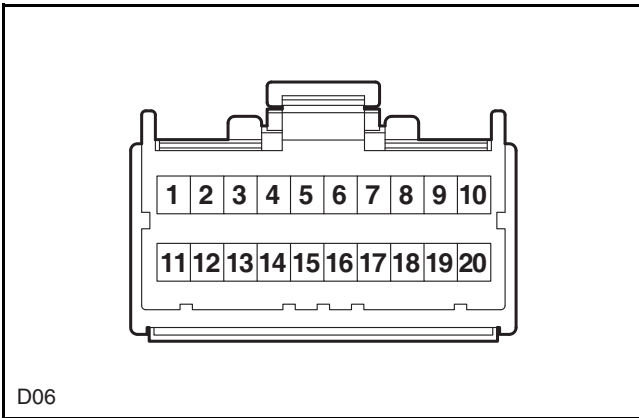
S08



S09

Window Switch - Main (Four Doors Anti-pinch)

Window Motor 1 (Left Front Door Four Doors Anti-pinch)

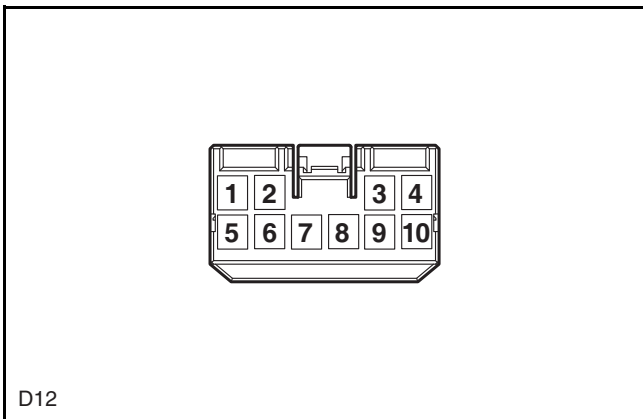
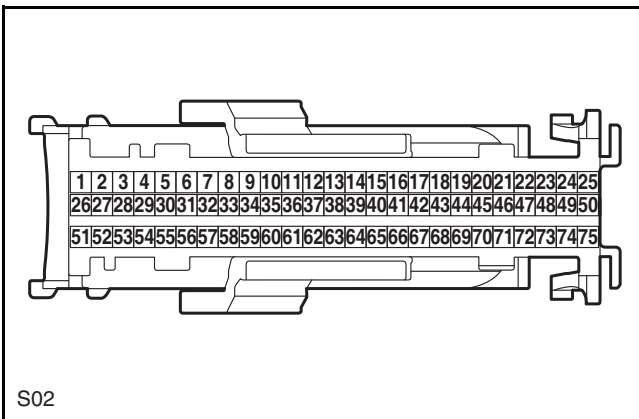


D06

D04

BDC-J3 (Chassis)

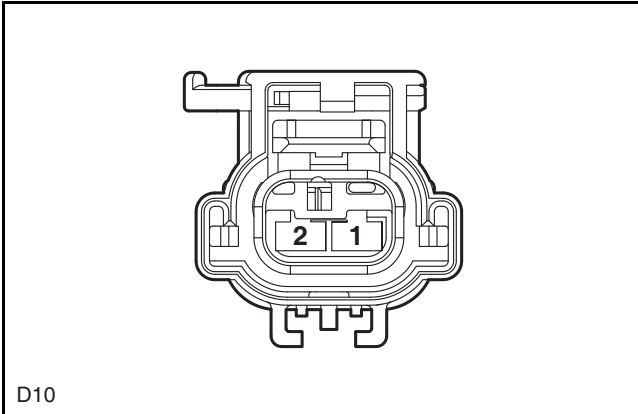
Window Switch - Sub (Anti-pinch)



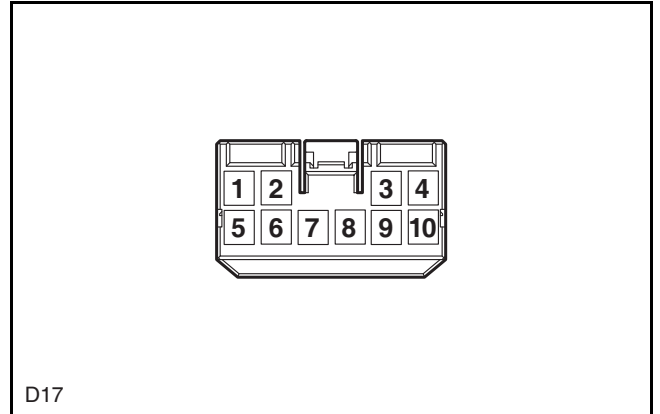
S02

D12

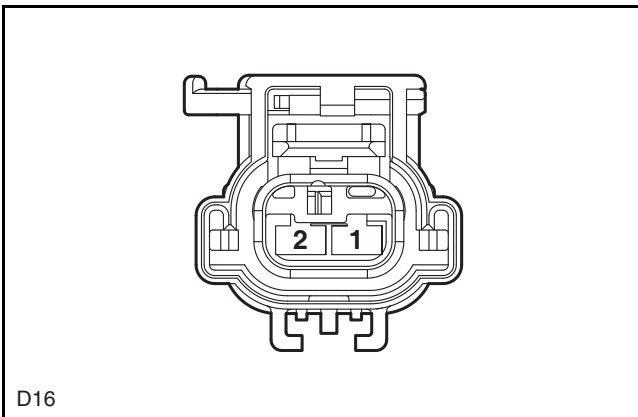
Window Motor (Right Front Door)



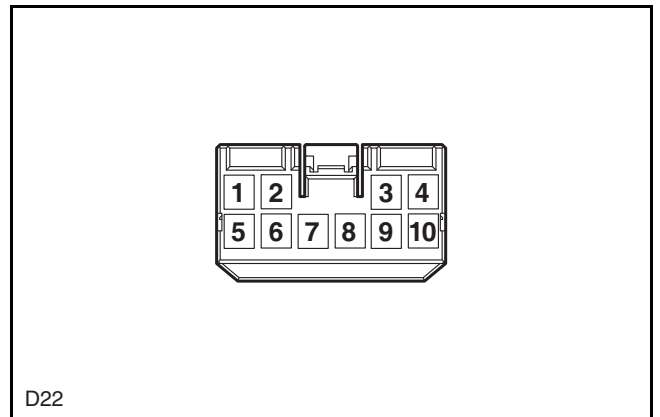
Window Switch - Left Rear Door (Anti-pinch)



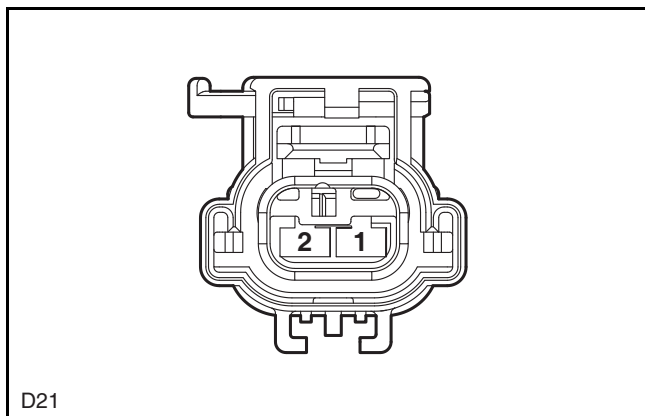
Window Motor (Left Rear Door)



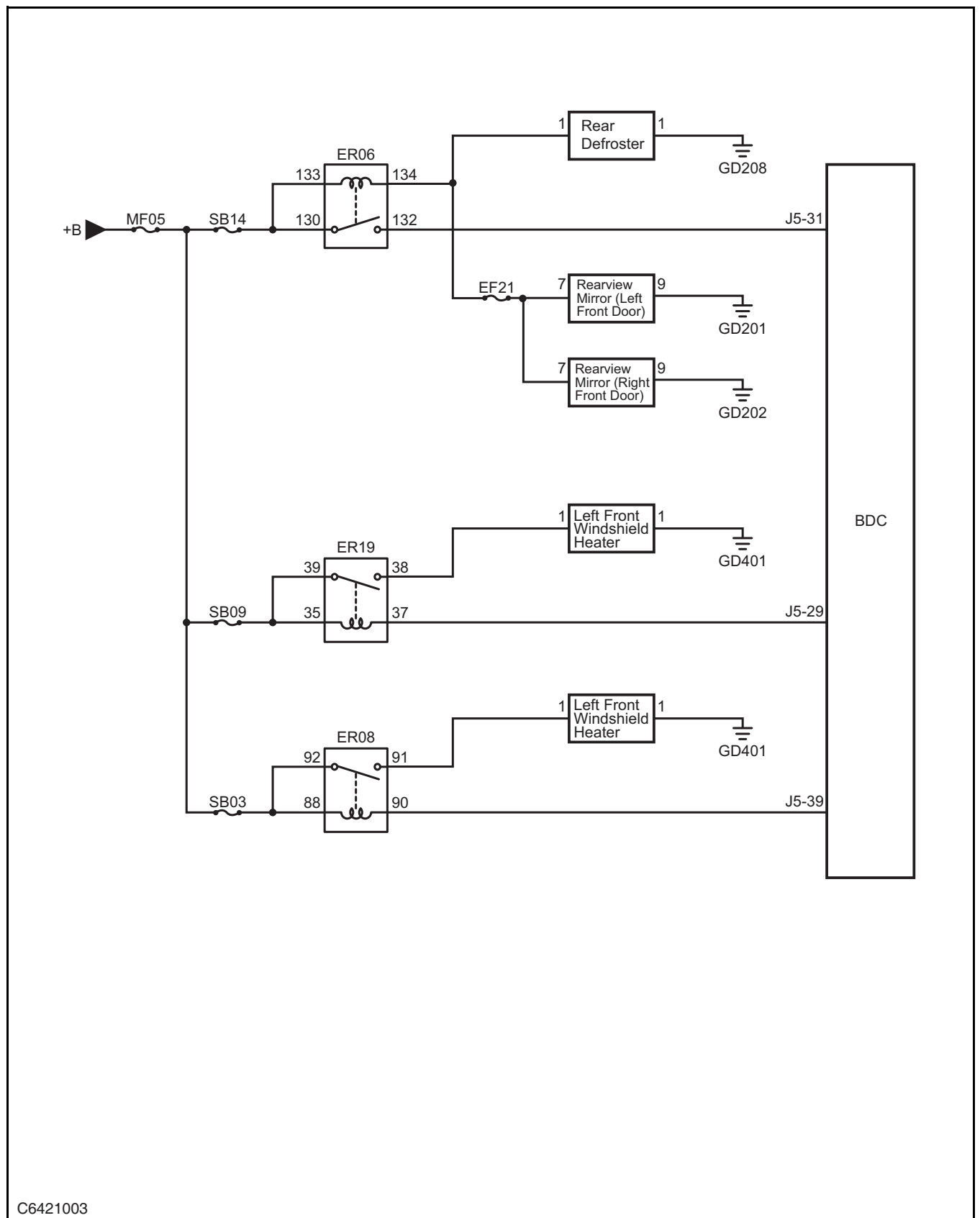
Window Switch - Right Rear Door (Anti-pinch)



Window Motor (Right Rear Door)

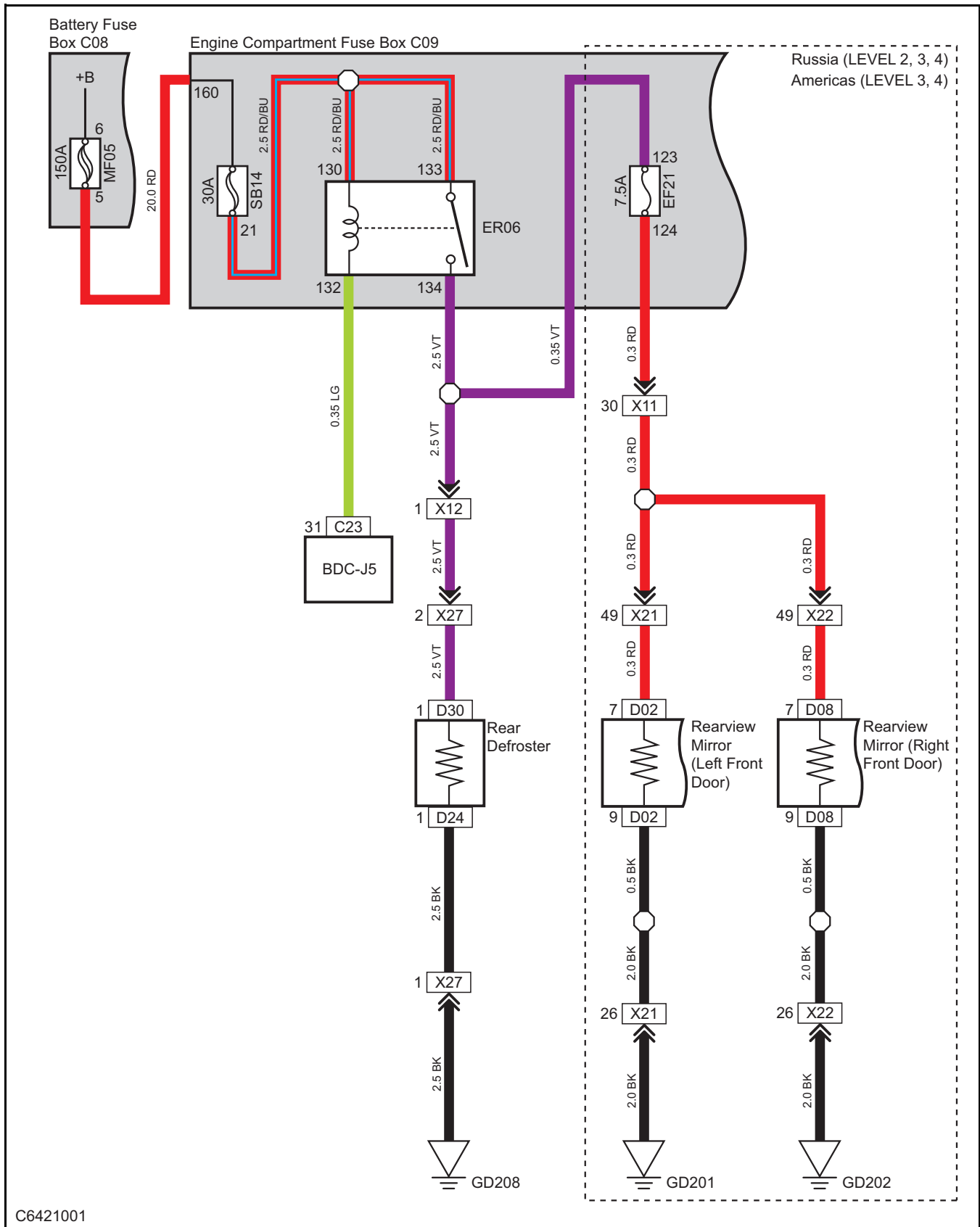


Defroster

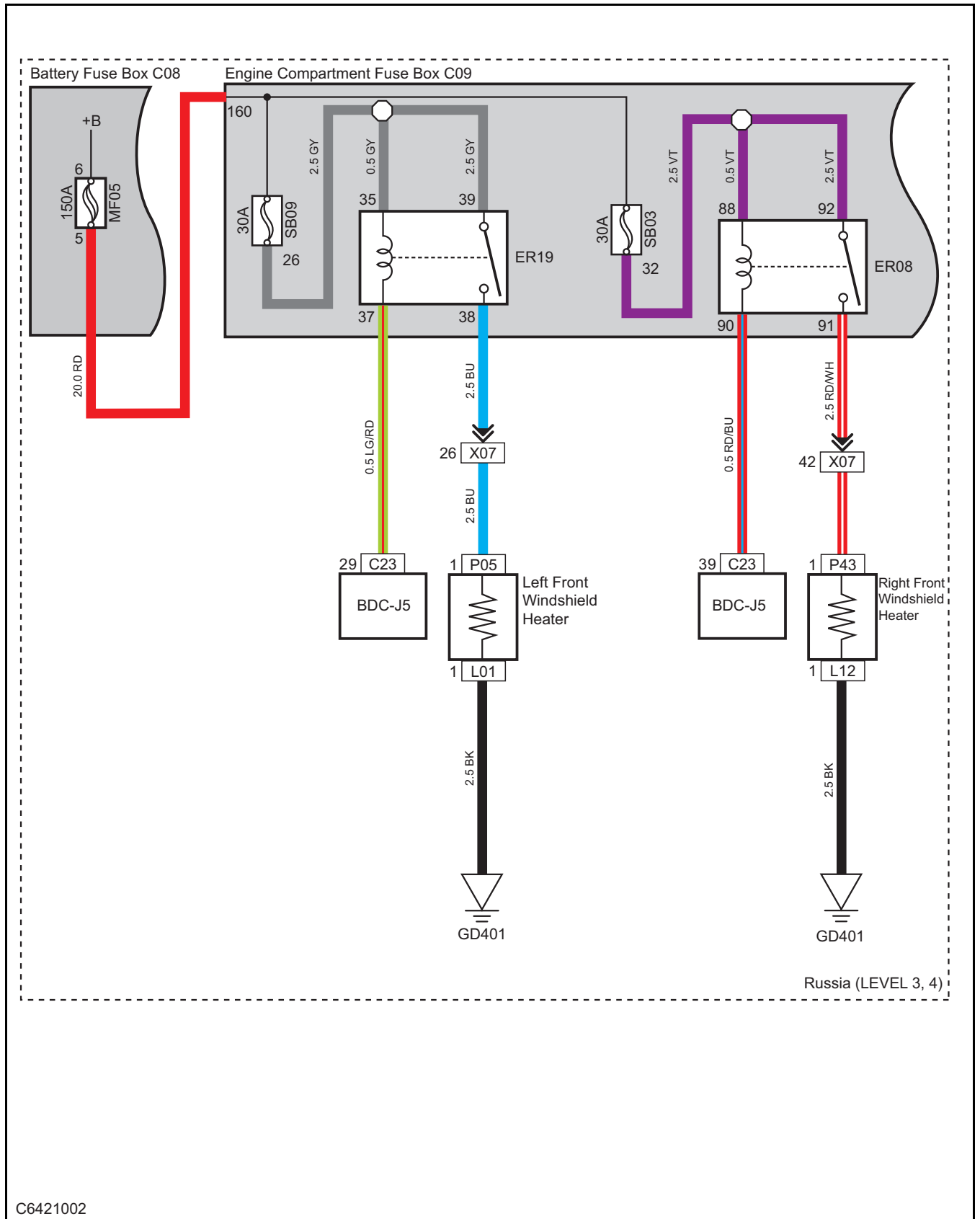


C6421003

Rearview Mirror Heater, Rear Defroster

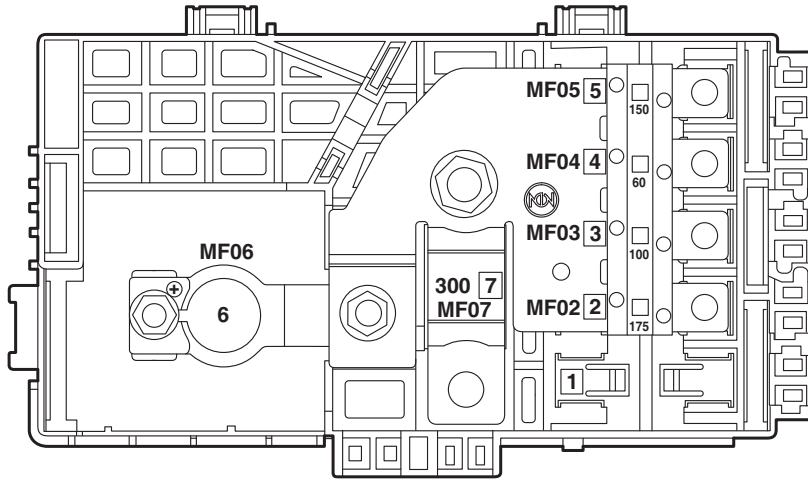


Front Windshield Heater



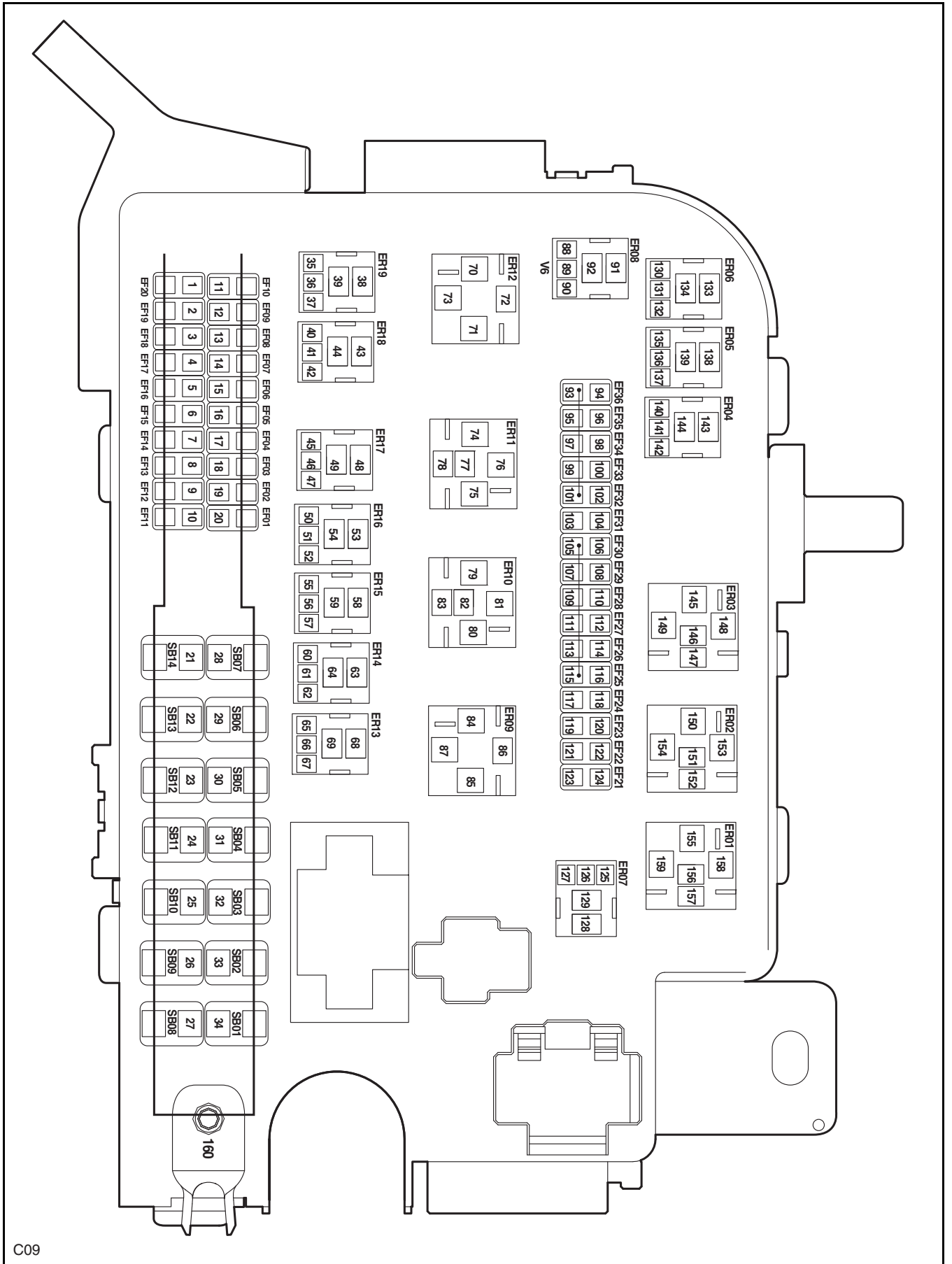
C6421002

Battery Fuse Box



C08

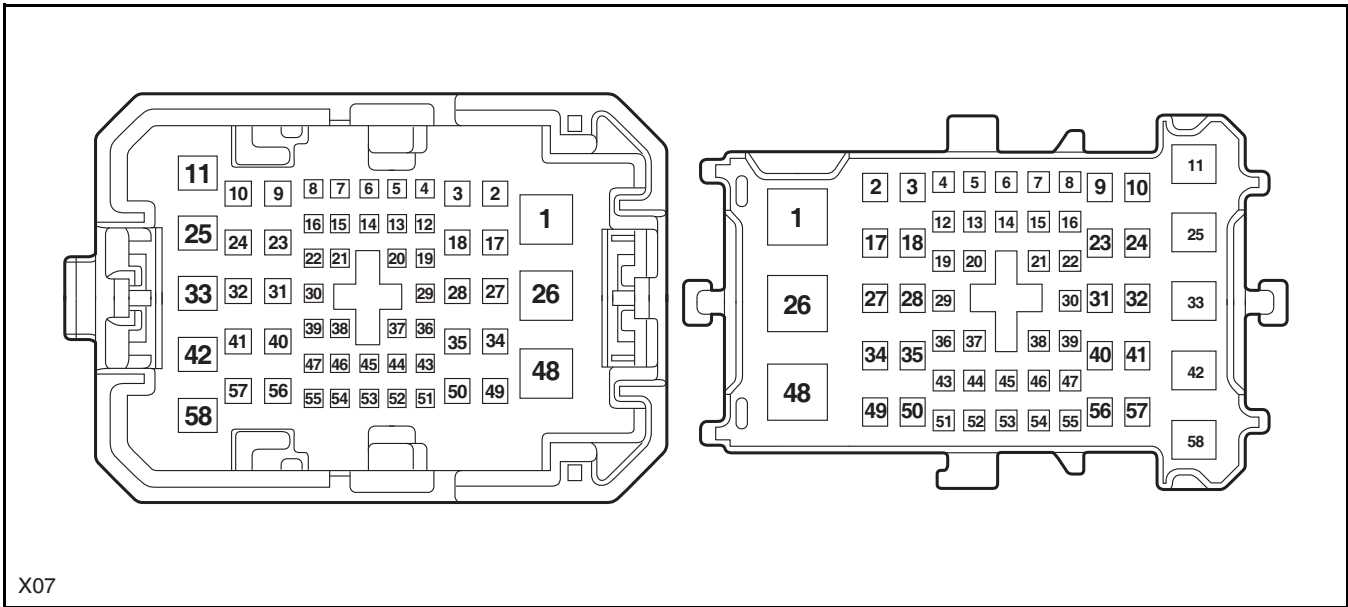
Engine Compartment Fuse Box



C09

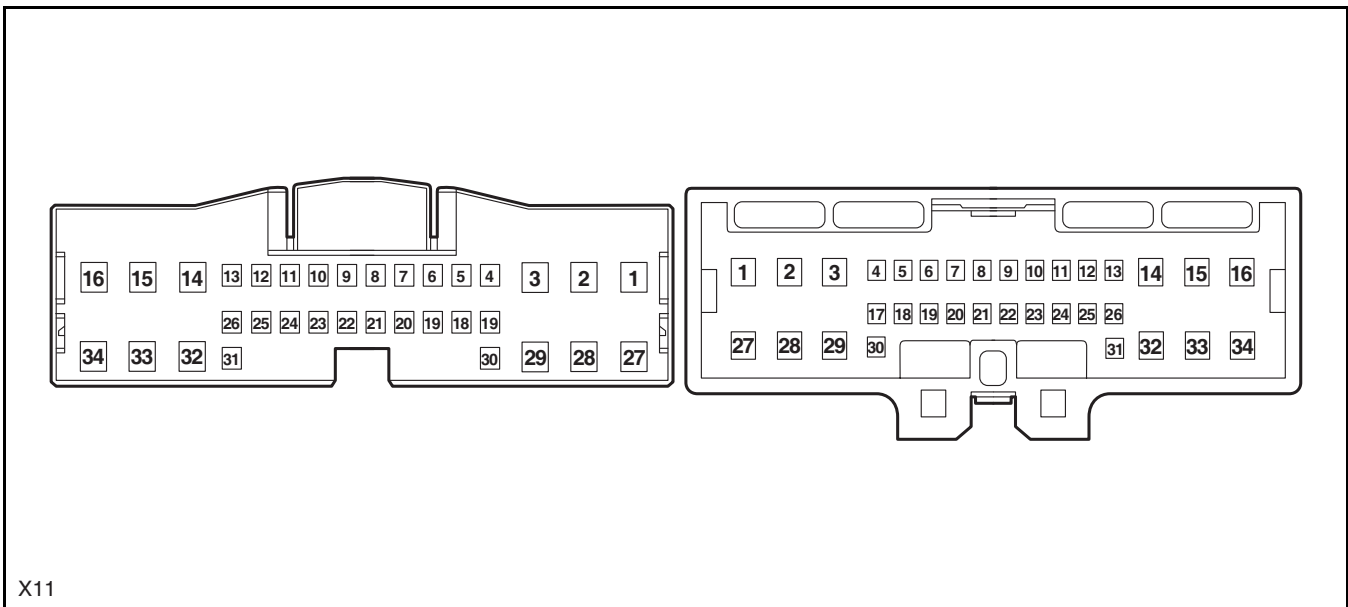
Engine Compartment Wiring Harness to Instrument Panel Wiring Harness (Left 1)

Instrument Panel Wiring Harness (Left 1) to Engine Compartment Wiring Harness



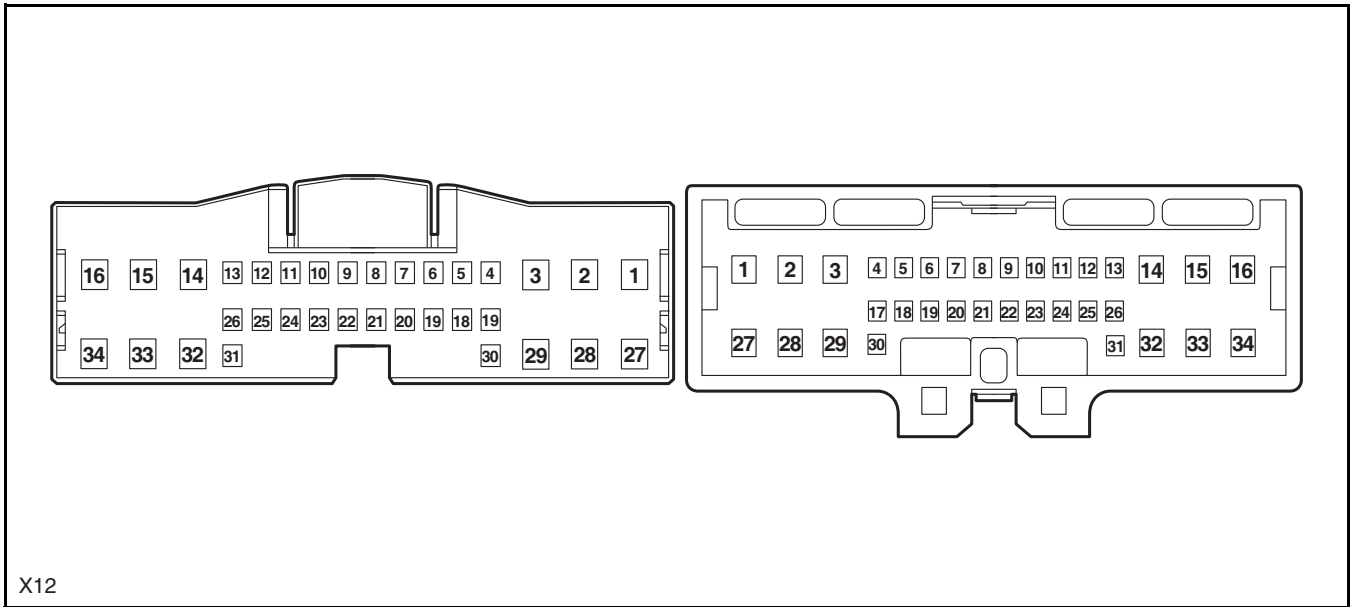
Engine Compartment Wiring Harness to Chassis Wiring Harness (Left 1)

Chassis Wiring Harness (Left 1) to Engine Compartment Wiring Harness



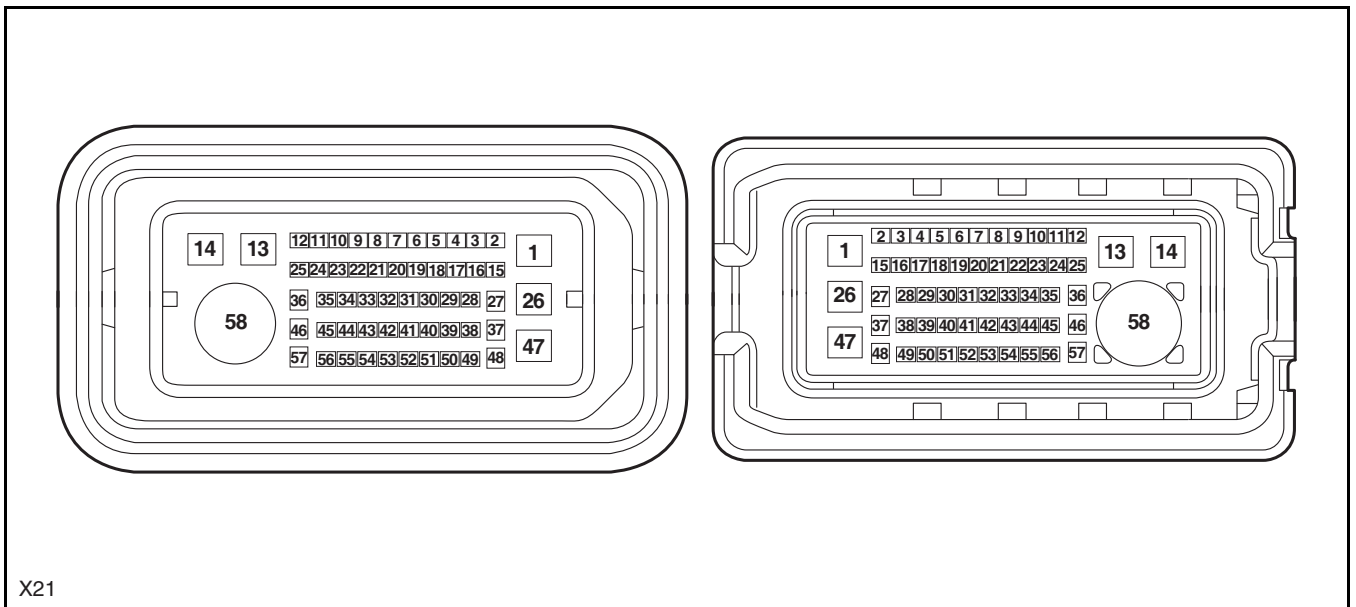
Engine Compartment Wiring Harness to Chassis Wiring Harness (Right 1)

Chassis Wiring Harness (Right 1) to Engine Compartment Wiring Harness



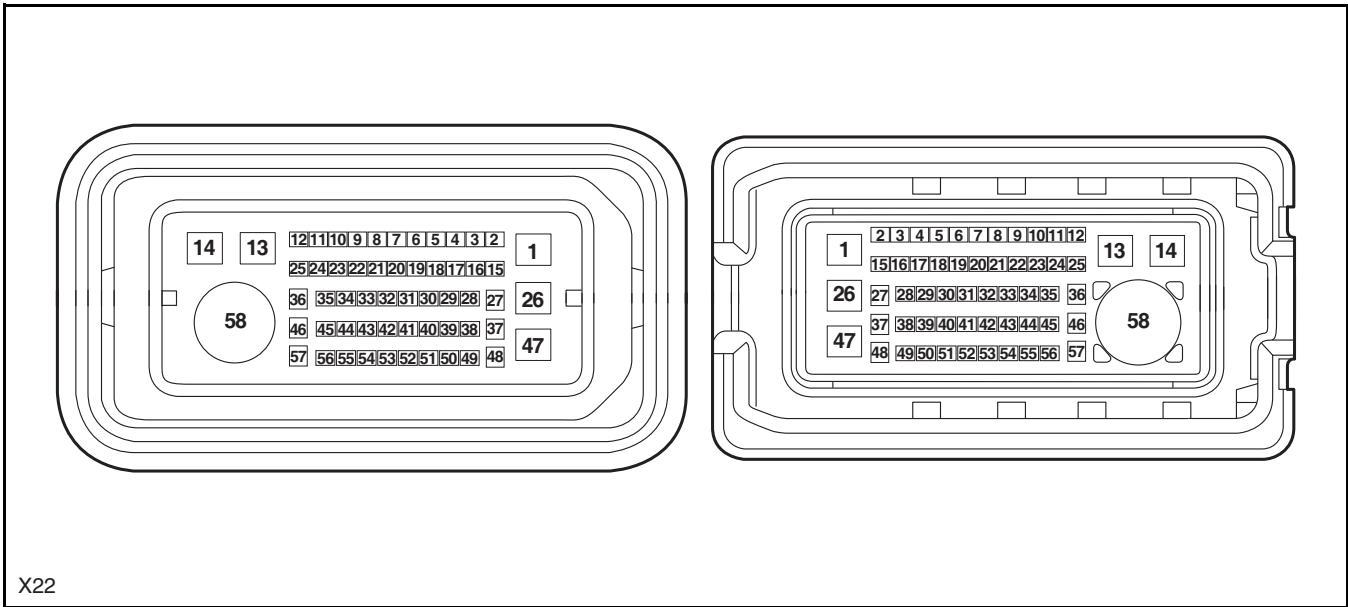
Chassis Wiring Harness to Left Front Door Wiring Harness

Left Front Door Wiring Harness to Chassis Wiring Harness



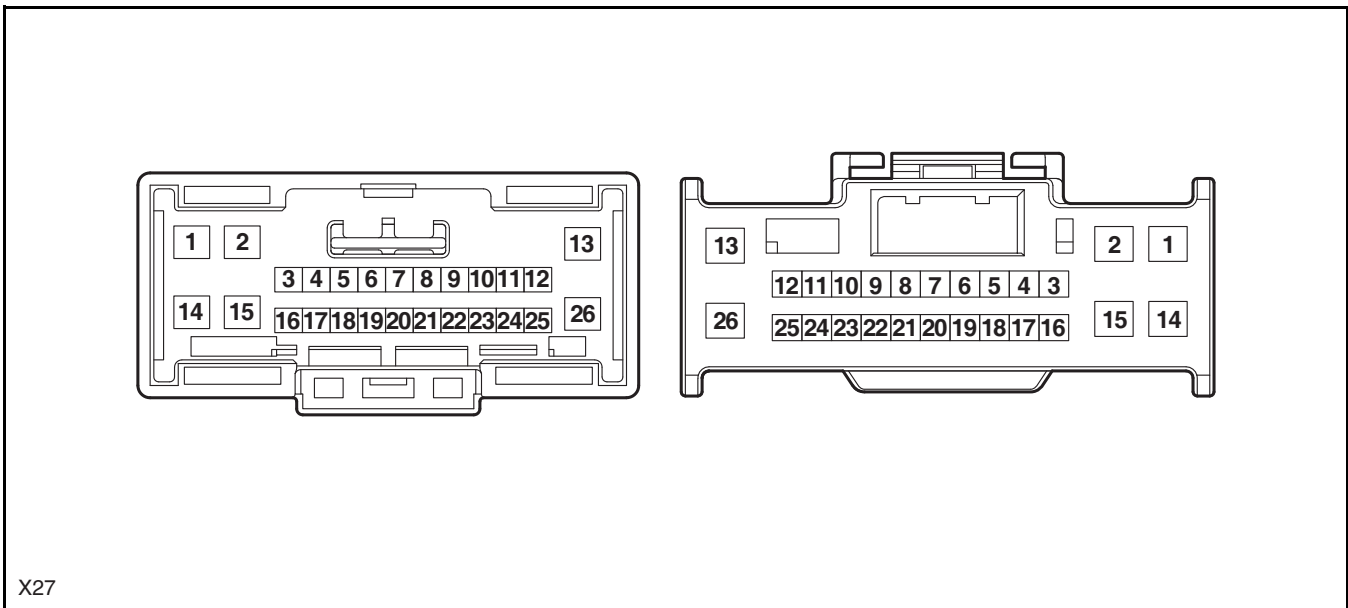
Chassis Wiring Harness to Right Front Door Wiring Harness

Right Front Door Wiring Harness to Chassis Wiring Harness

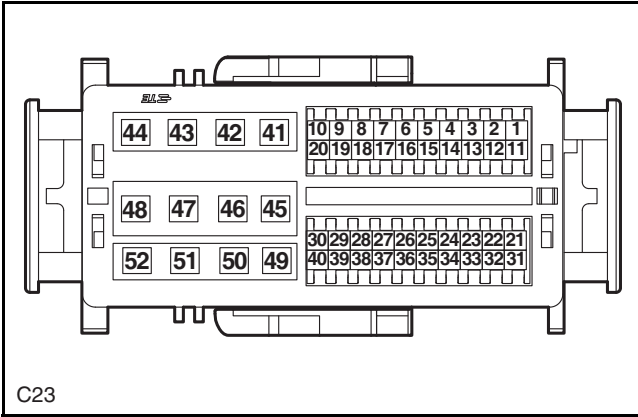


Chassis Wiring Harness to Back Door Wiring Harness

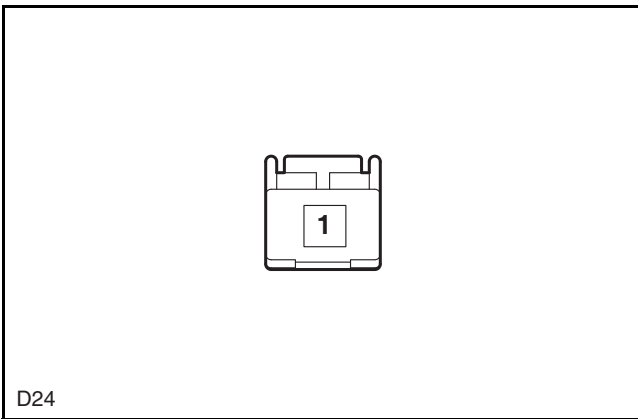
Back Door Wiring Harness to Chassis Wiring Harness



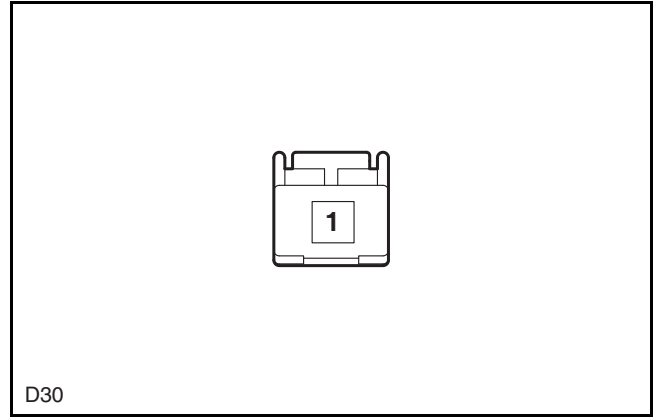
BDC-J5



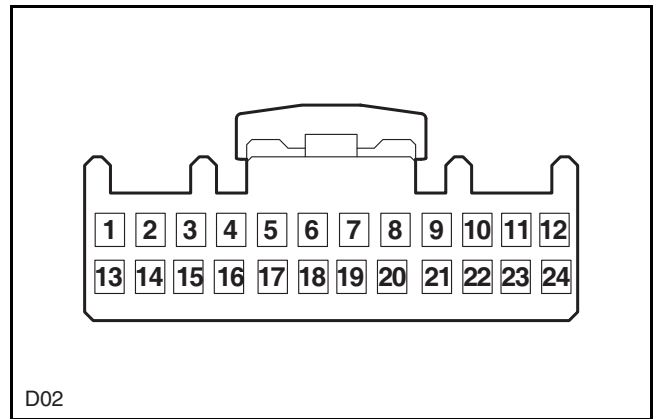
Rear Defroster Negative



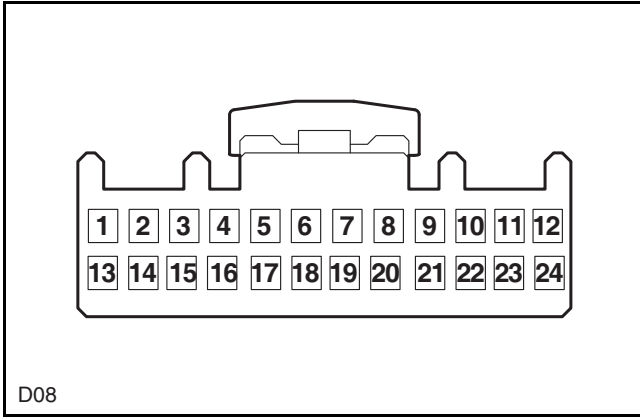
Rear Defroster Positive



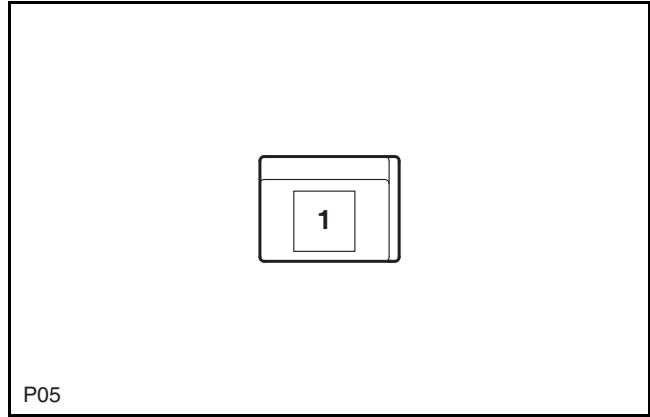
Rearview Mirror (Left Front Door)



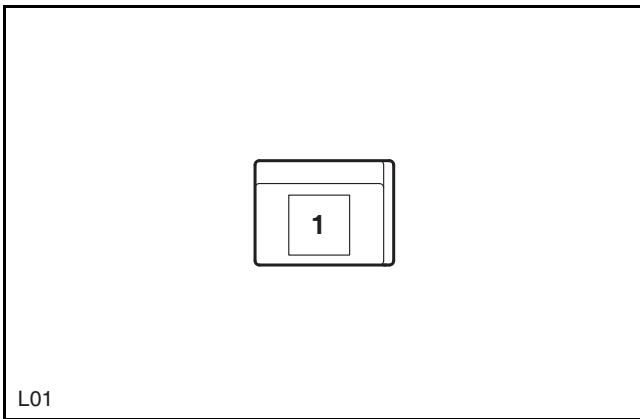
Rearview Mirror (Right Front Door)



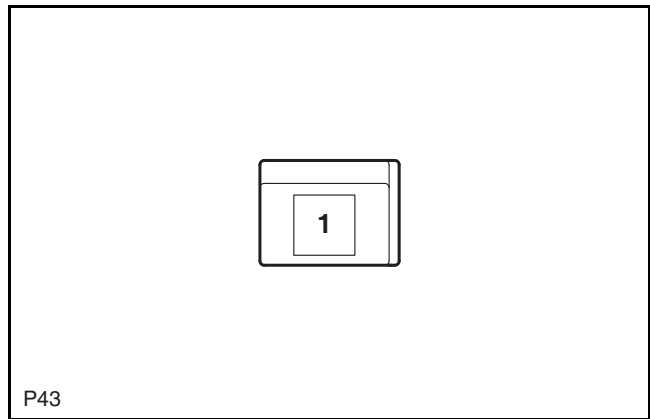
Left Front Windshield Heater Positive



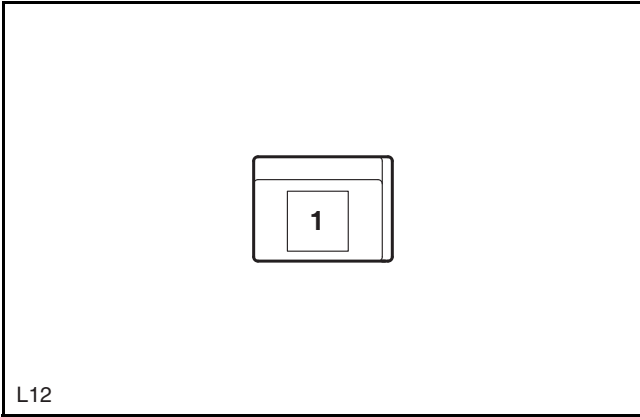
Left Front Windshield Heater Negative



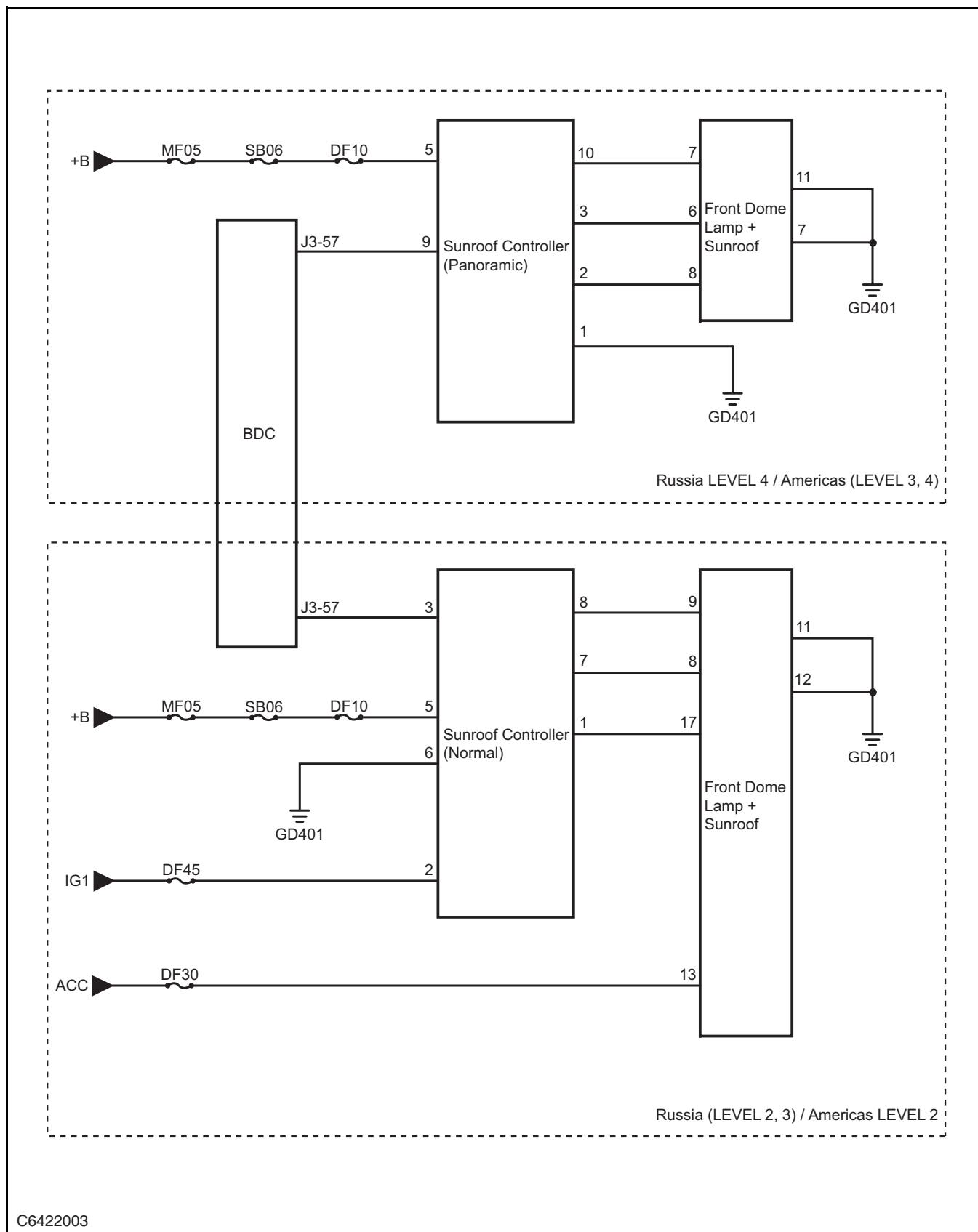
Right Front Windshield Heater - Positive



Right Front Windshield Heater - Negative

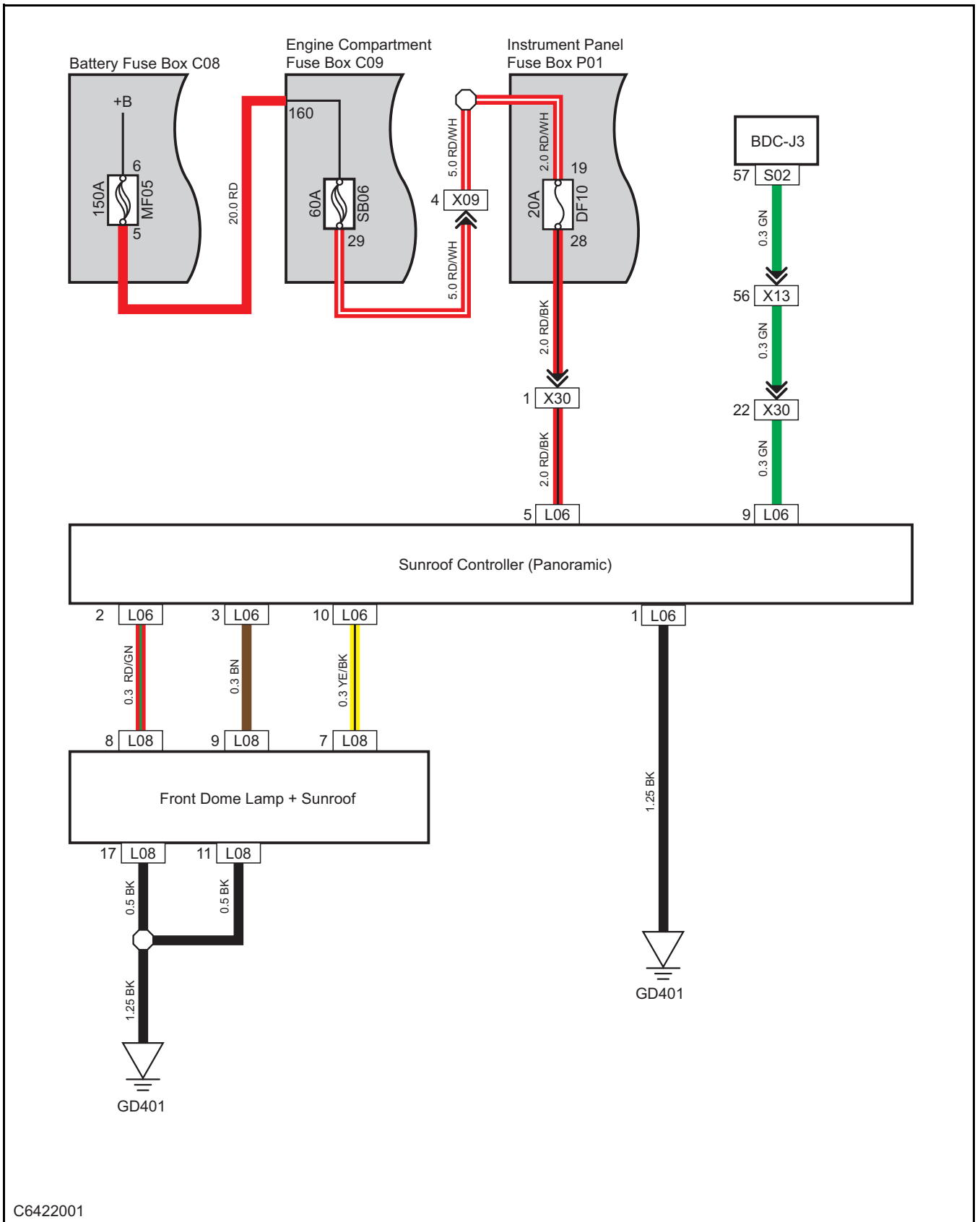


Sunroof



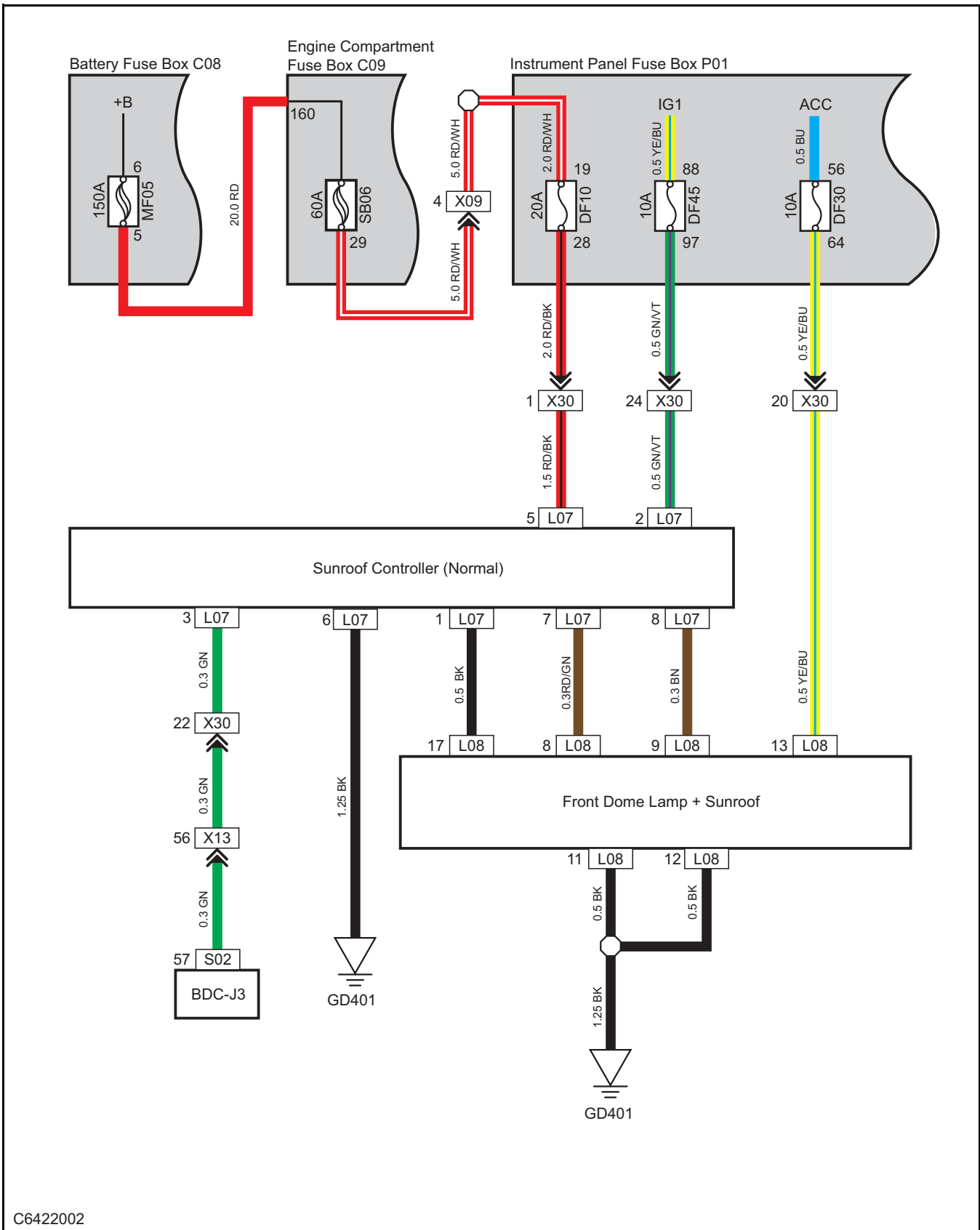
C6422003

Panoramic Sunroof Russia Level 4/Americas (Level 3, 4)



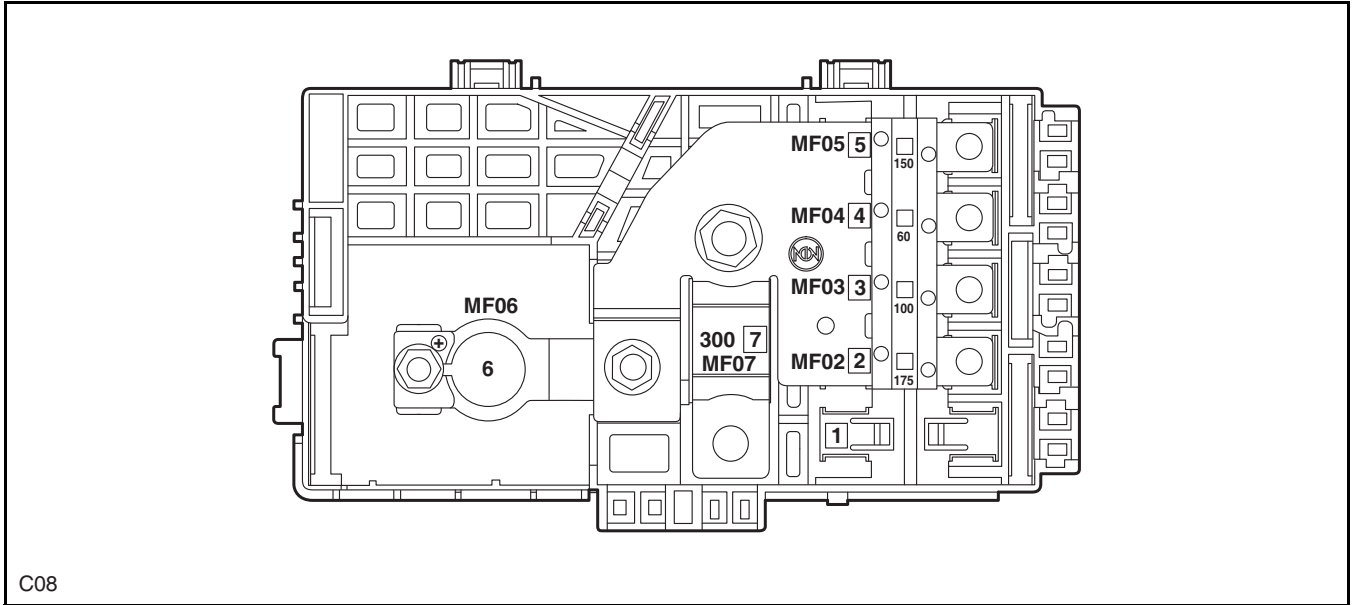
C6422001

Sunroof Russia Level (2, 3)/Americas Level 2



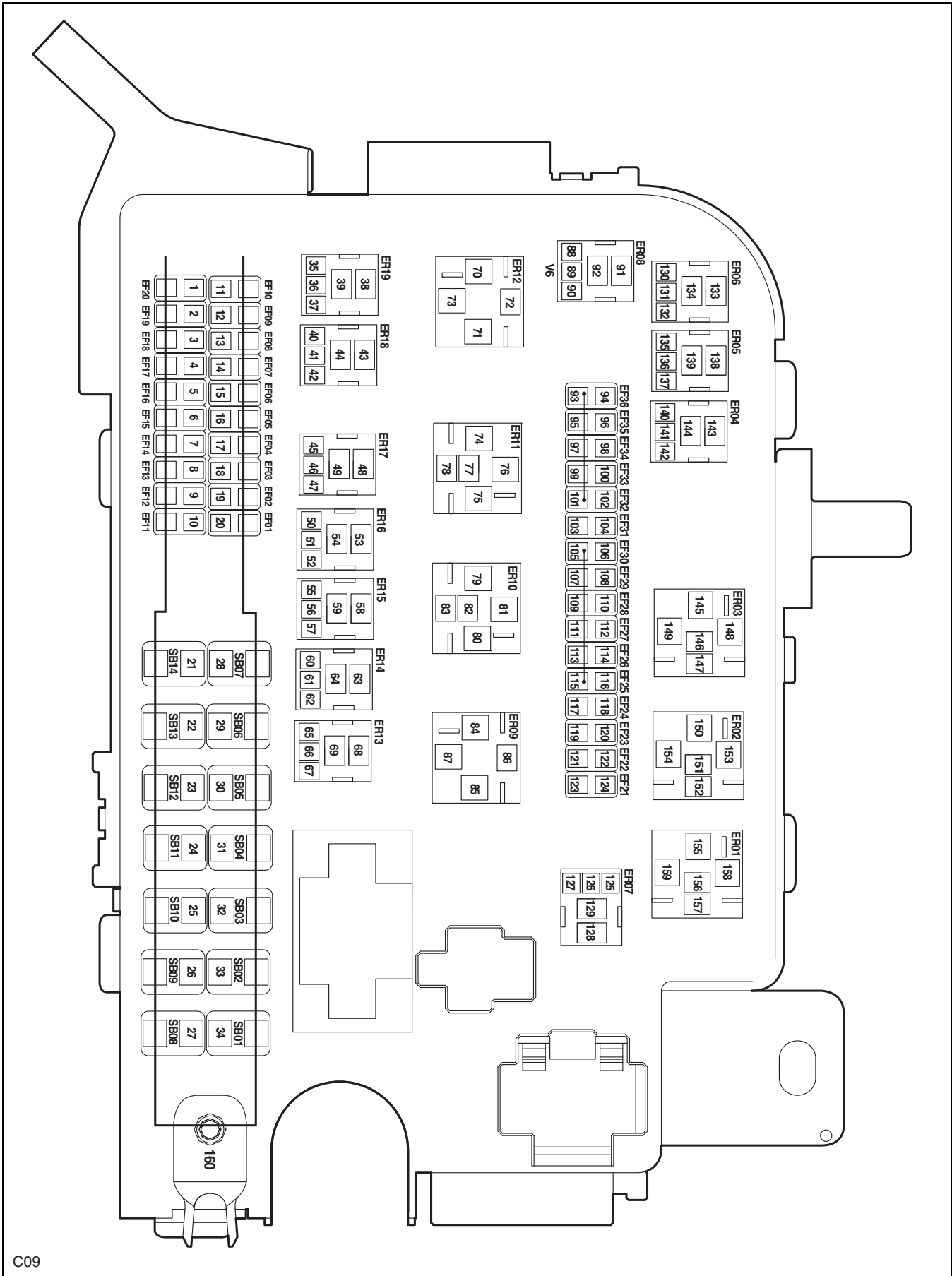
C6422002

Battery Fuse Box



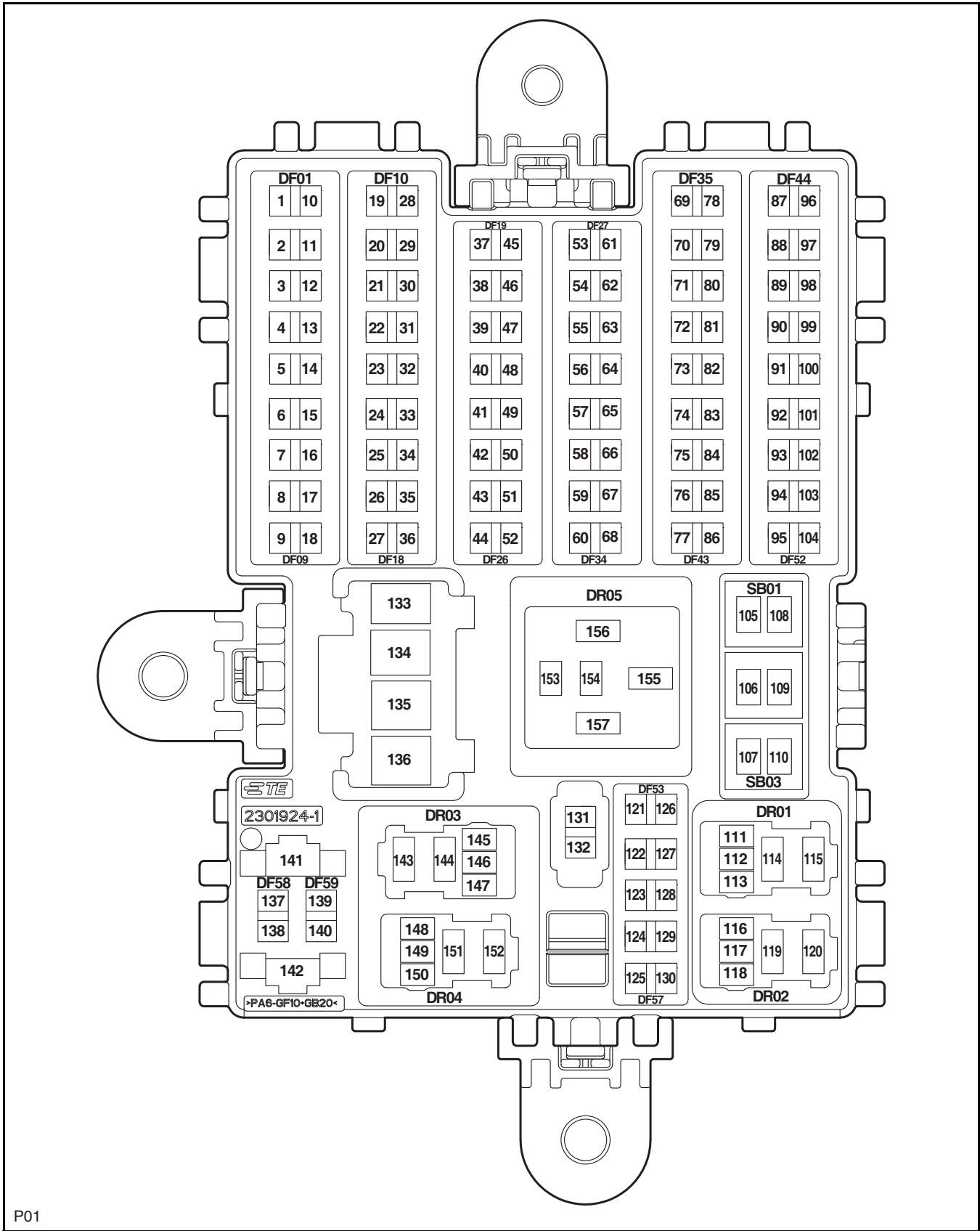
C08

Engine Compartment Fuse Box



C09

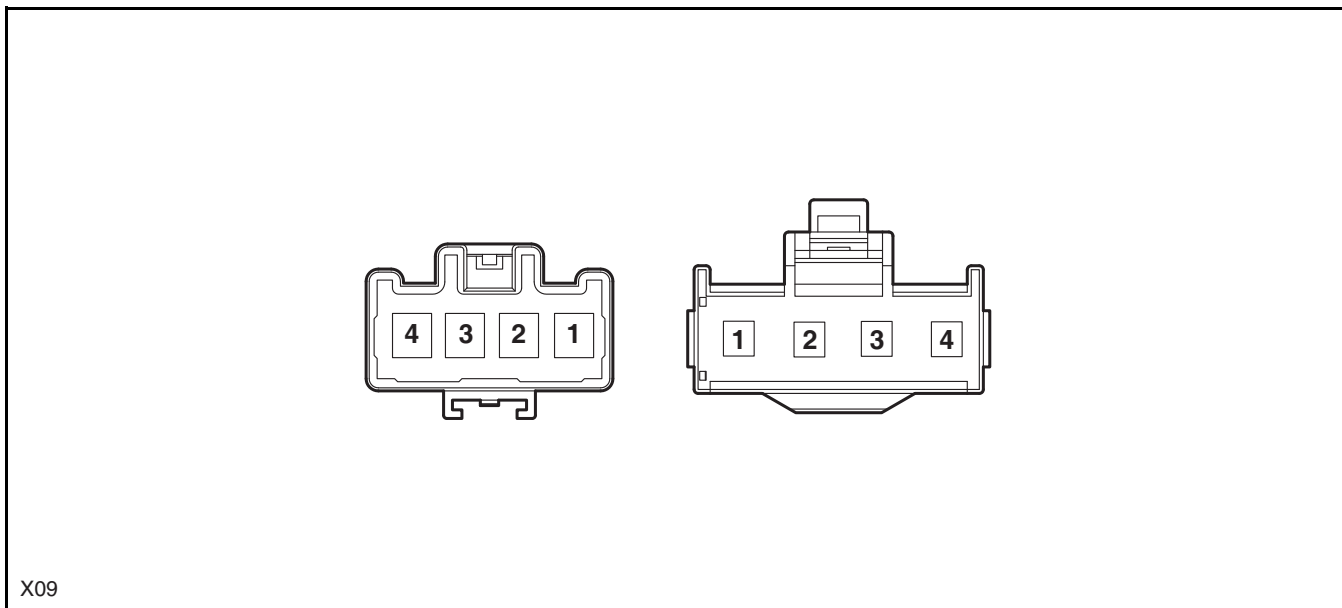
Instrument Panel Fuse Box



P01

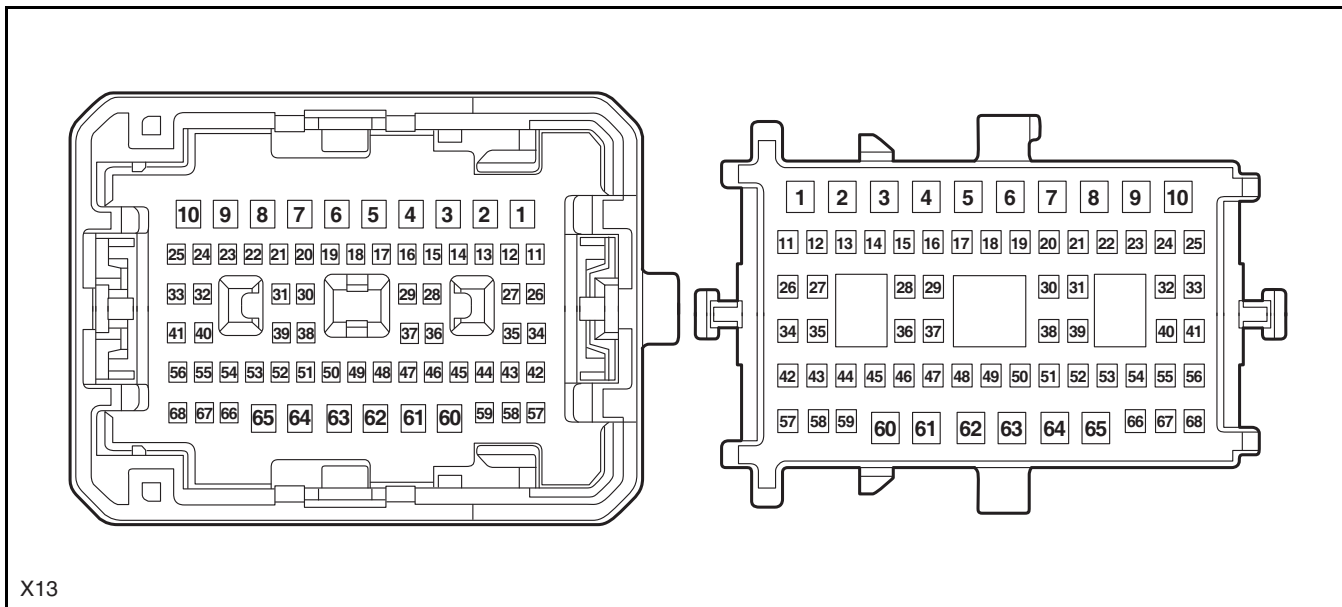
Engine Compartment Wiring Harness to Instrument Panel Wiring Harness (Left 3)

Instrument Panel Wiring Harness (Left 3) to Engine Compartment Wiring Harness



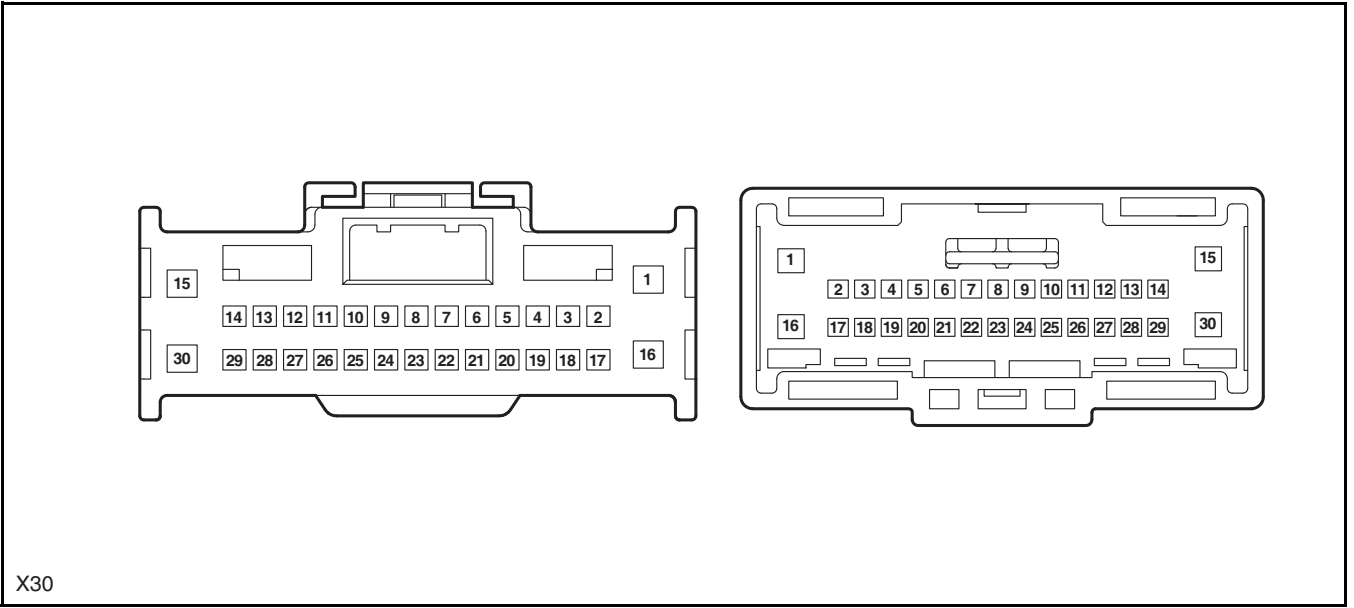
Chassis Wiring Harness to Instrument Panel Wiring Harness (Left 1)

Instrument Panel Wiring Harness (Left 1) to Chassis Wiring Harness

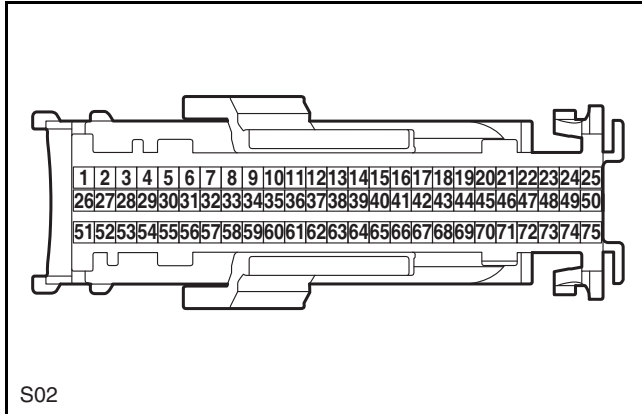


Instrument Panel Wiring Harness to Roof Wiring Harness (Left)

Roof Wiring Harness (Left) to Instrument Panel Wiring Harness

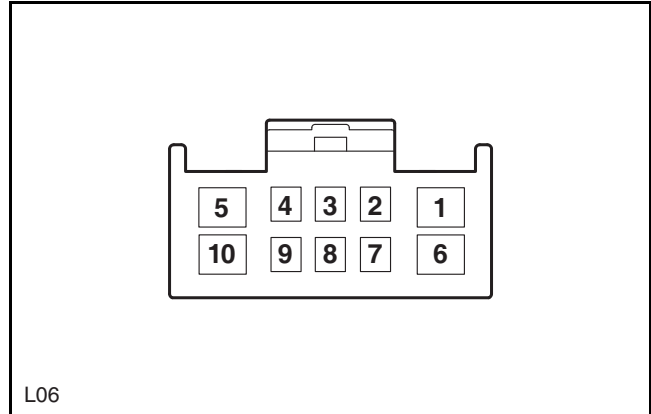


BDC-J3 (Chassis)



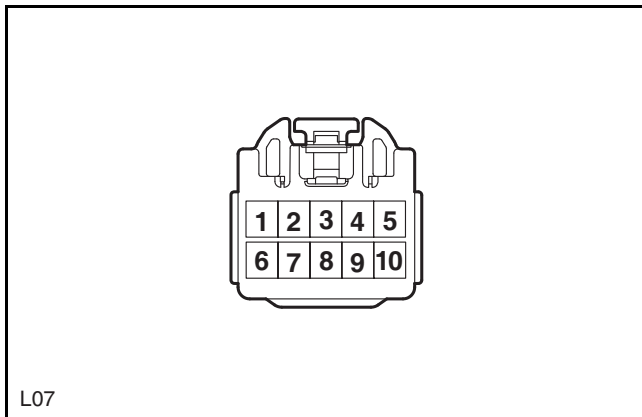
S02

Sunroof Controller (Panoramic)



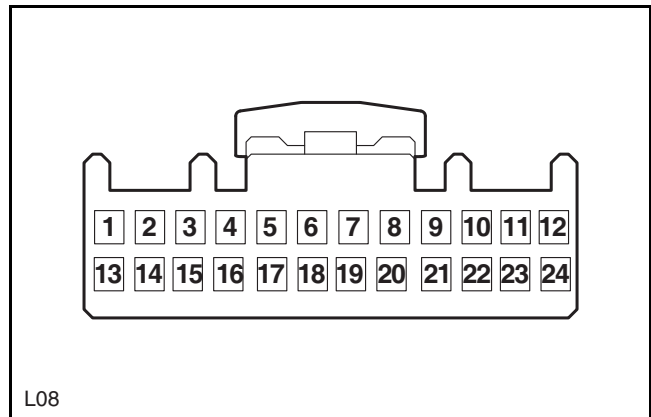
L06

Sunroof Controller (Normal)



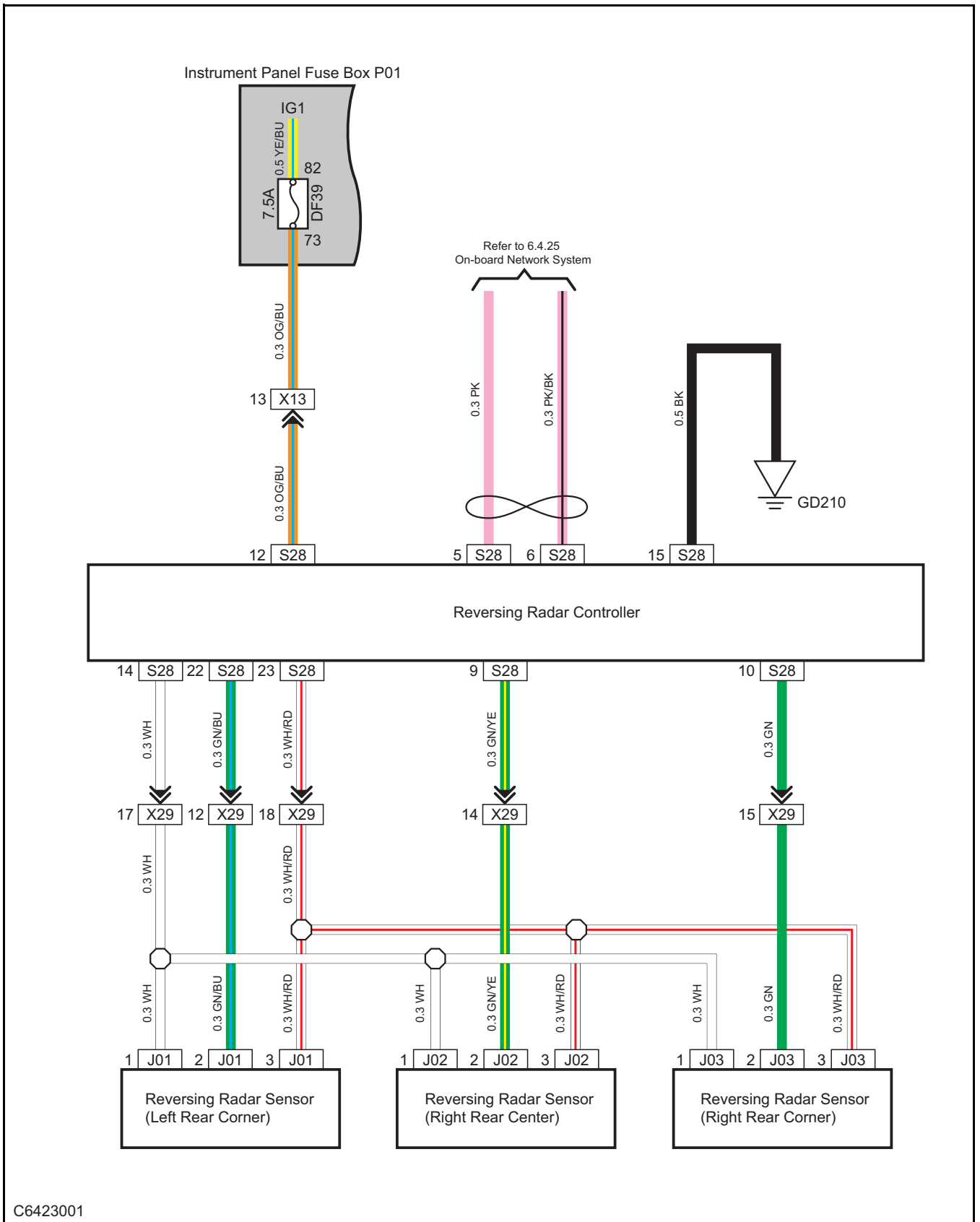
L07

Front Dome Lamp + Sunroof



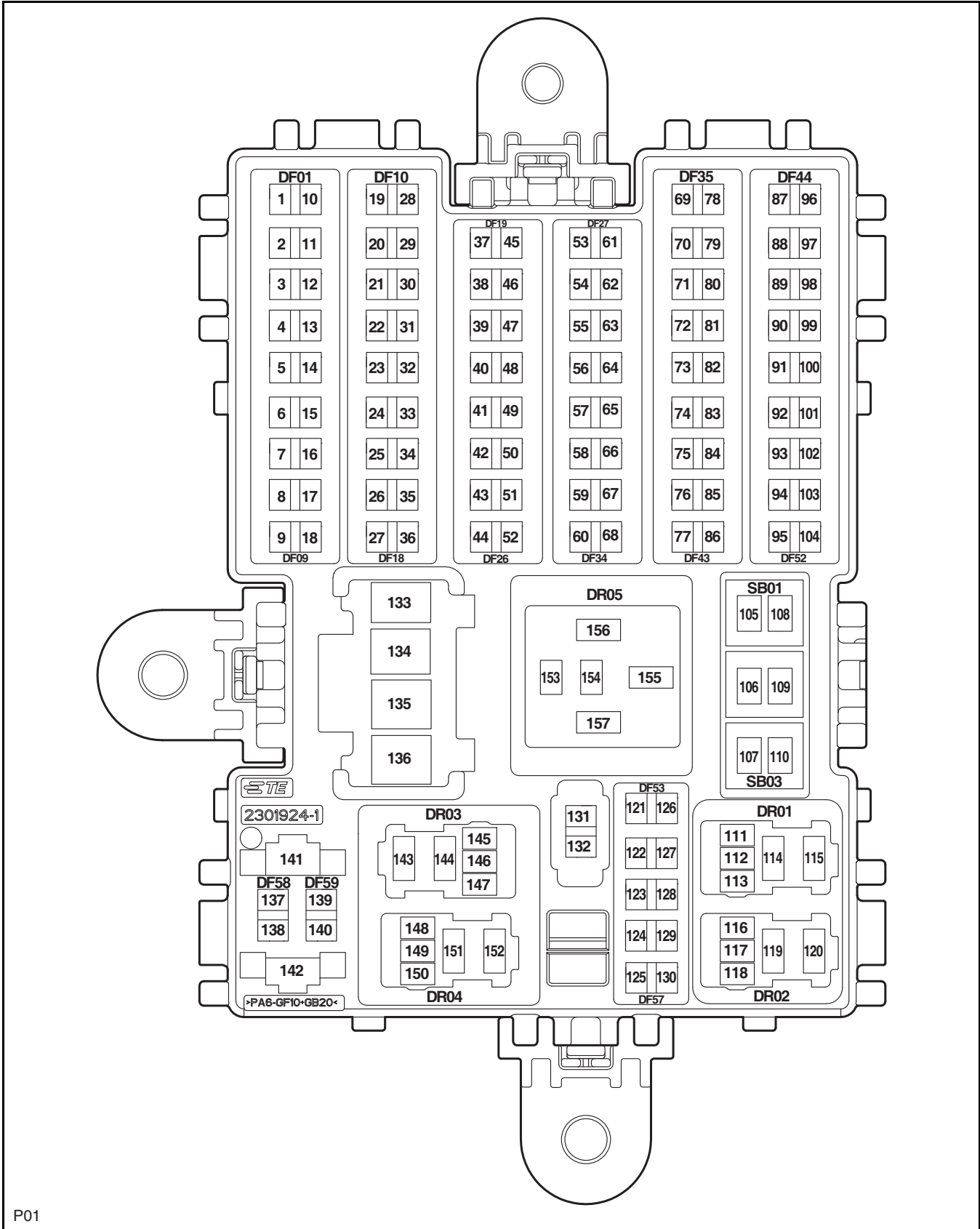
L08

Parking Assist System



C6423001

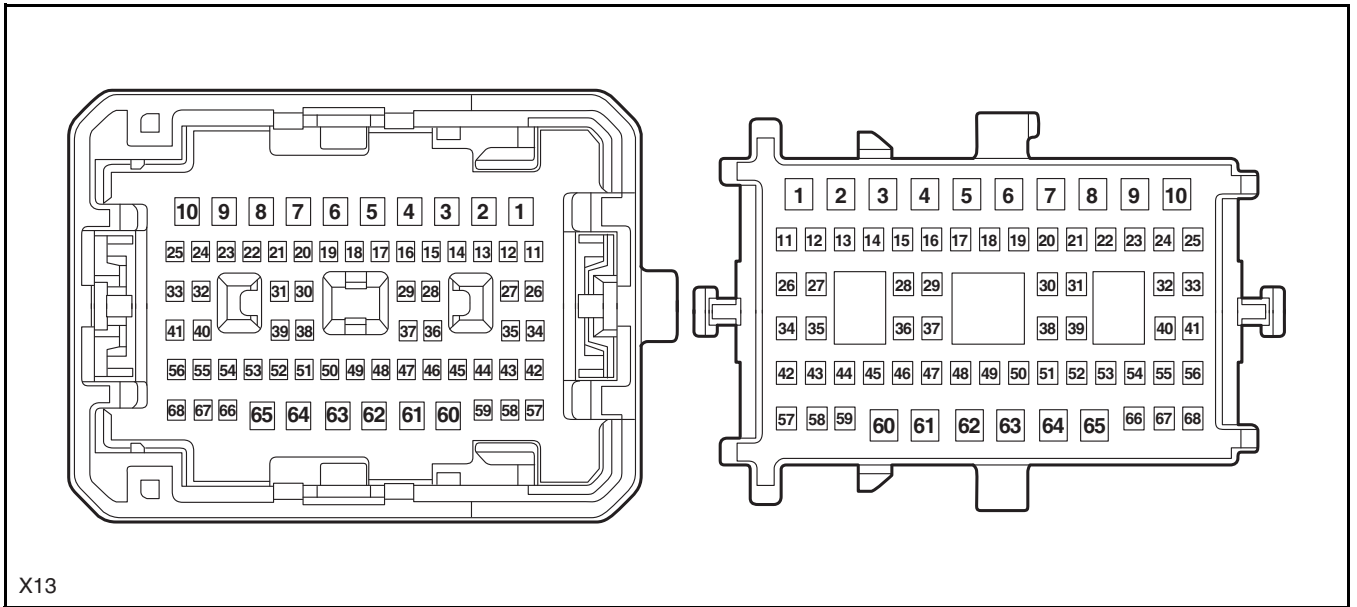
Instrument Panel Fuse Box



P01

Chassis Wiring Harness to Instrument Panel Wiring Harness (Left 1)

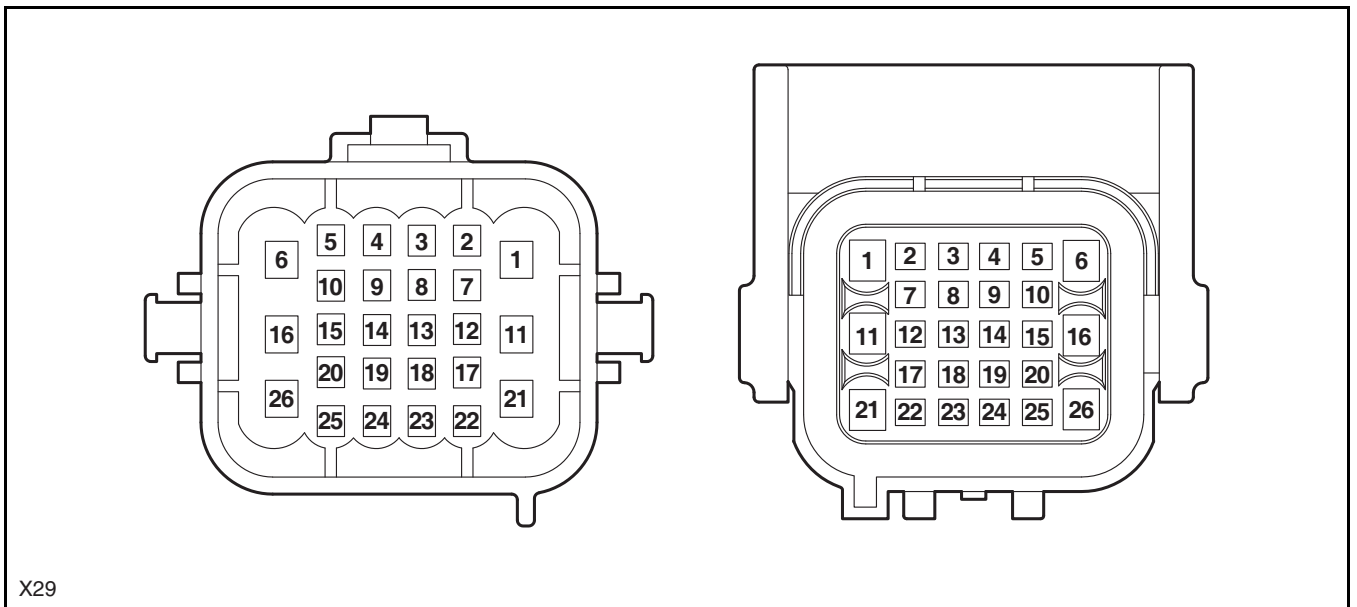
Instrument Panel Wiring Harness (Left 1) to Chassis Wiring Harness



X13

Chassis Wiring Harness to Rear Bumper Wiring Harness (2)

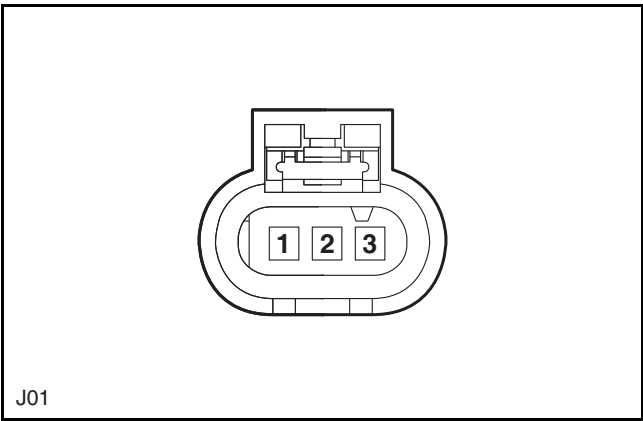
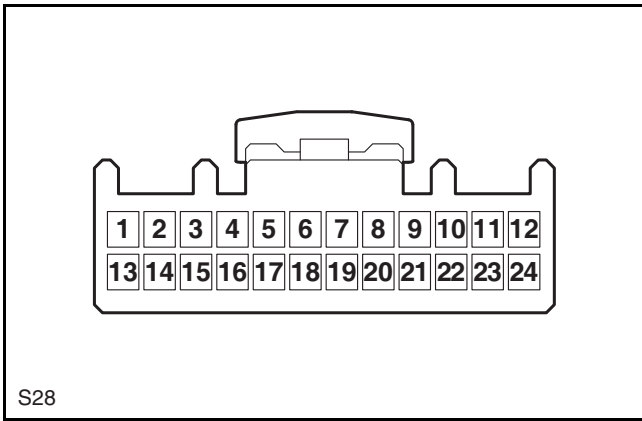
Rear Bumper Wiring Harness (2) to Chassis Wiring Harness



X29

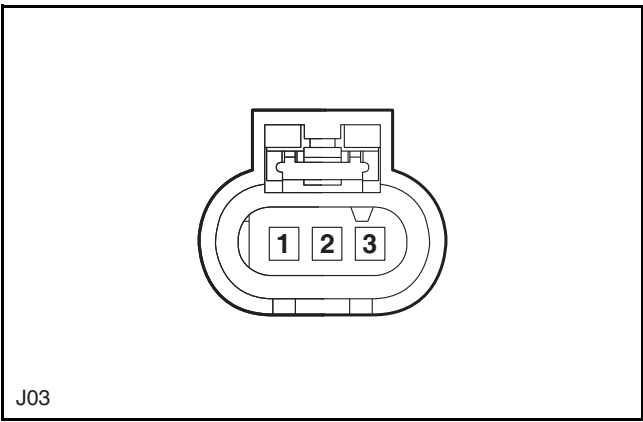
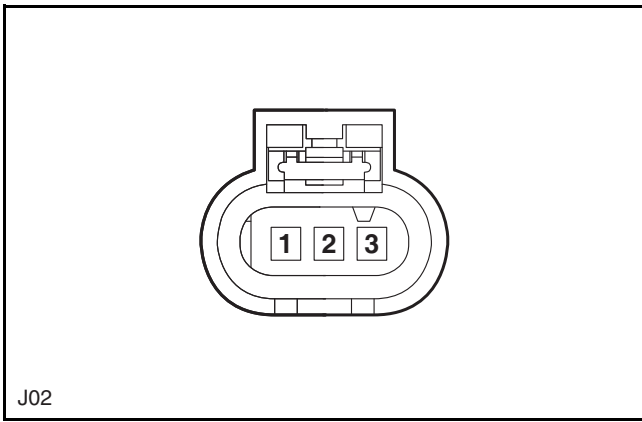
Reversing Radar Controller

Reversing Radar Sensor (Left Rear Corner)

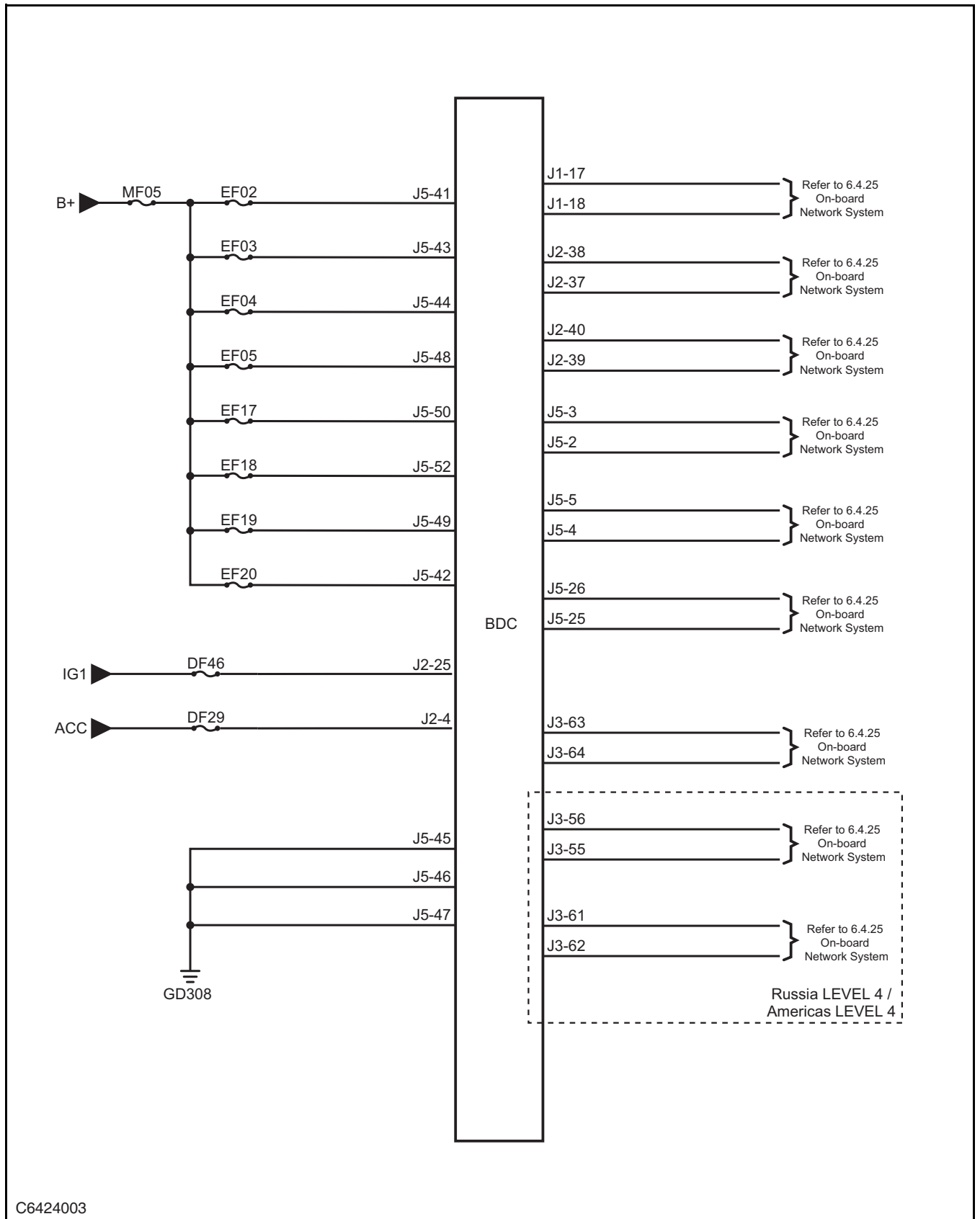


Reversing Radar Sensor (Right Rear Center)

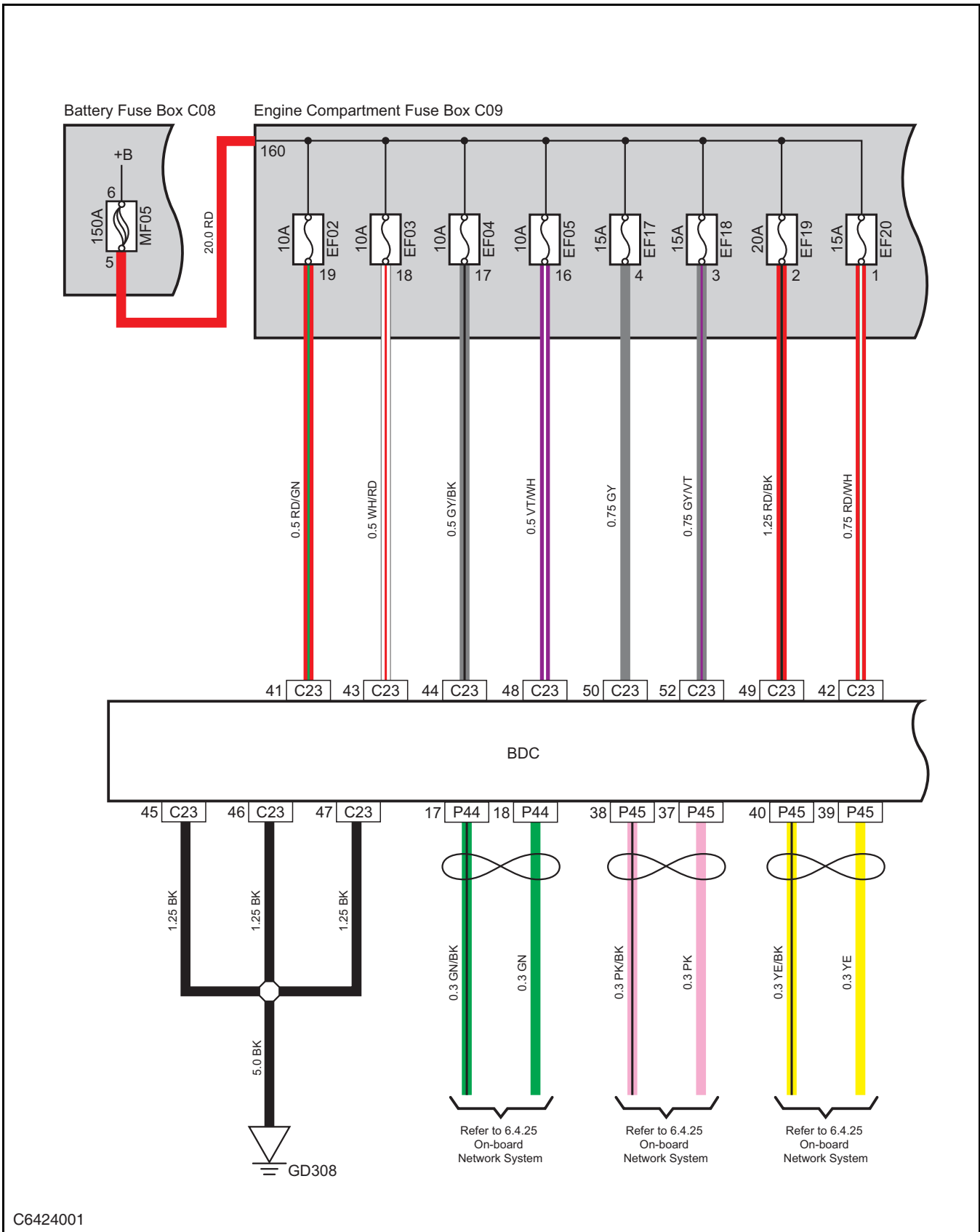
Reversing Radar Sensor (Right Rear Corner)



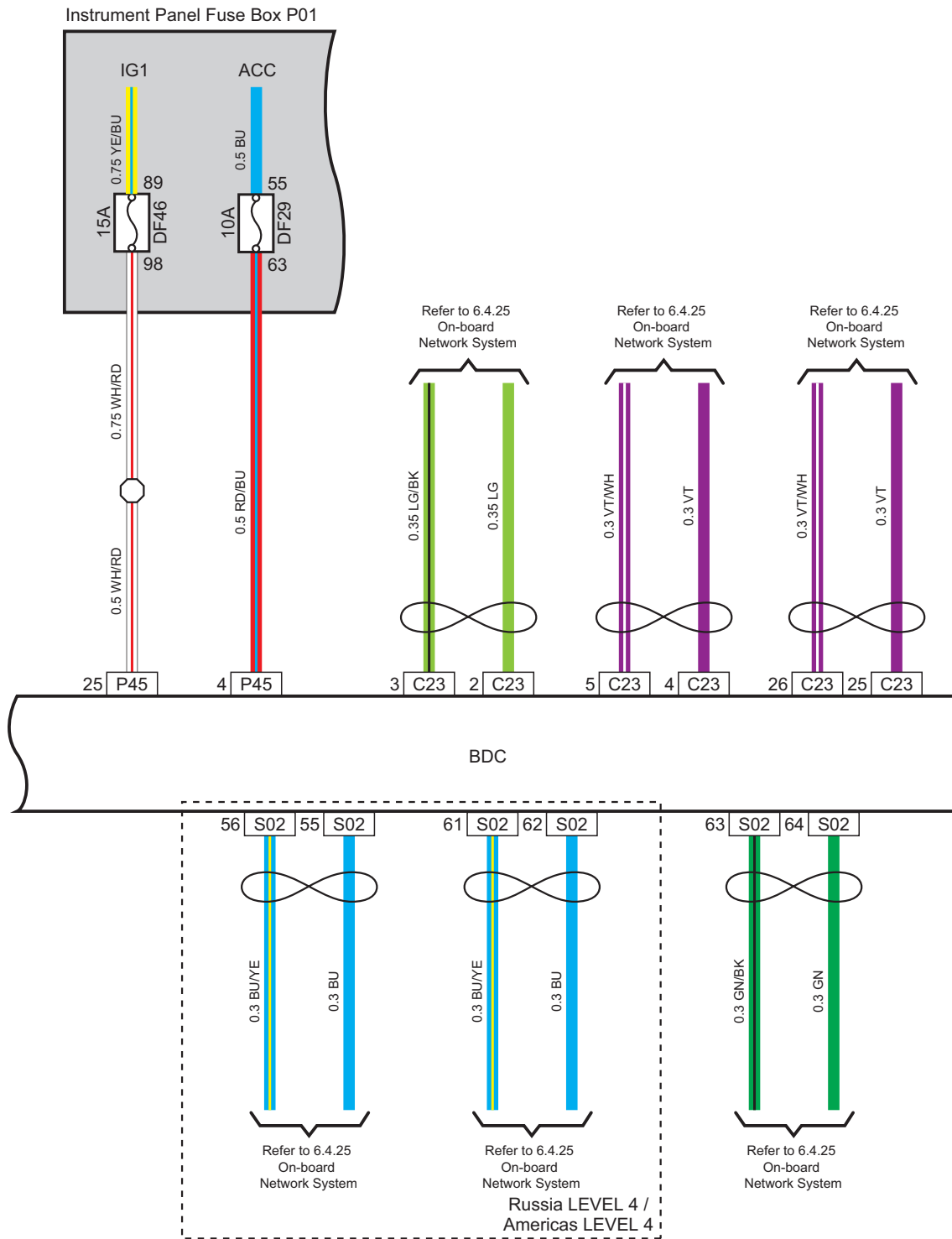
Body Control System



C6424003

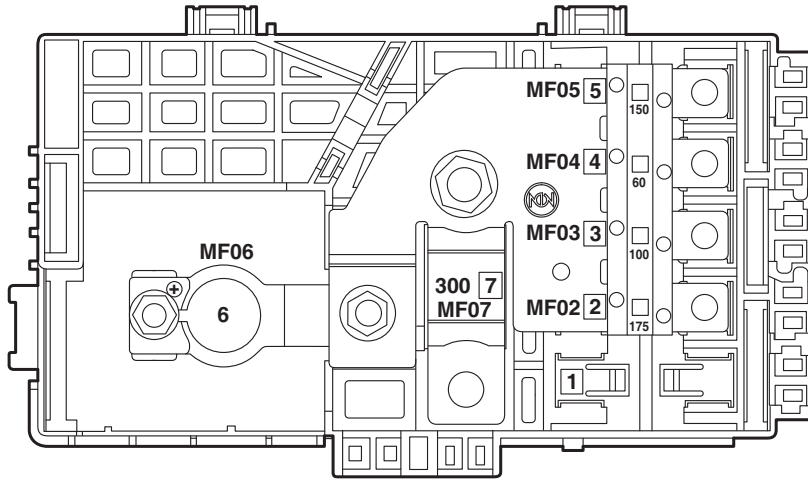


C6424001



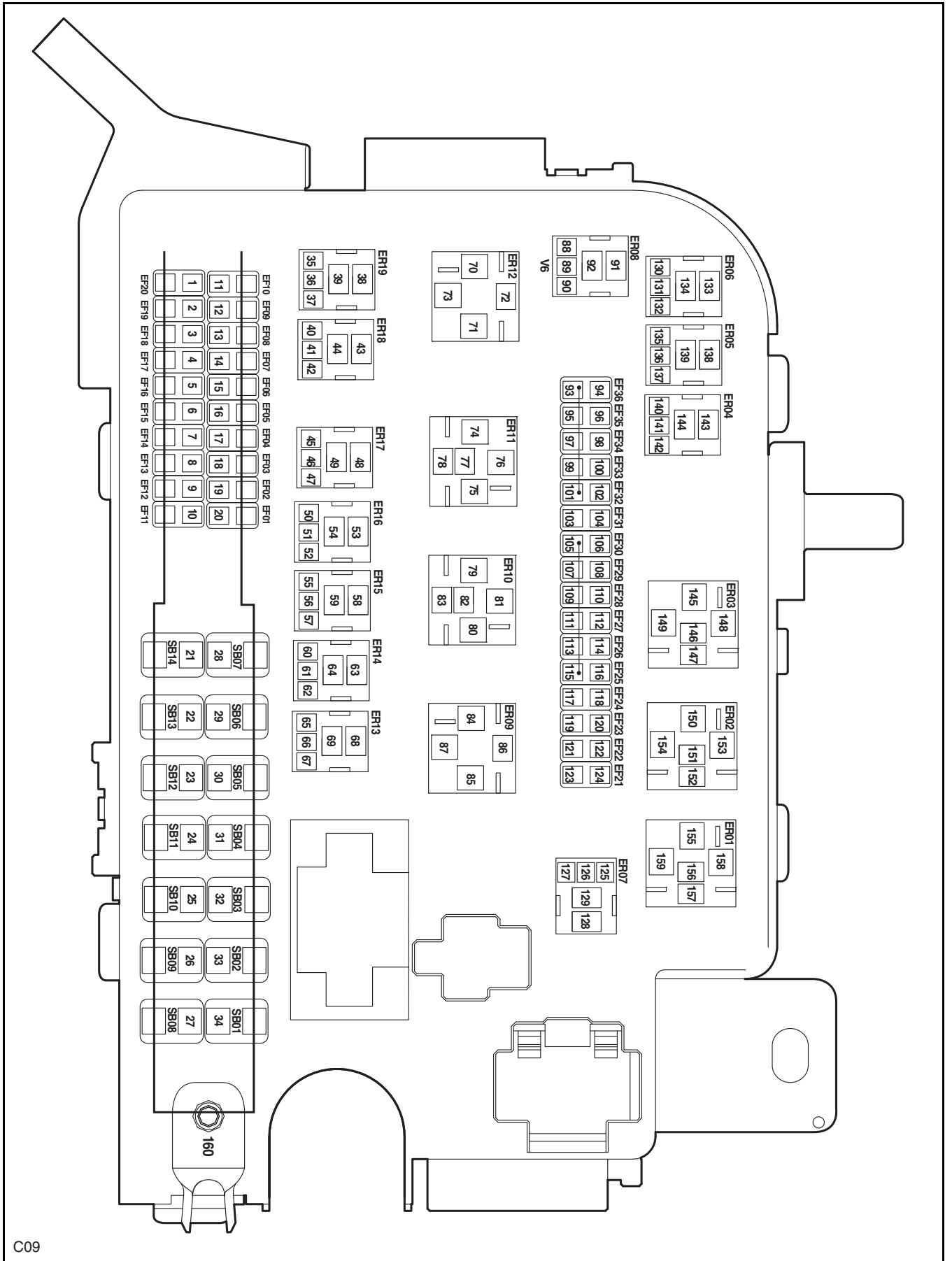
C6424002

Battery Fuse Box



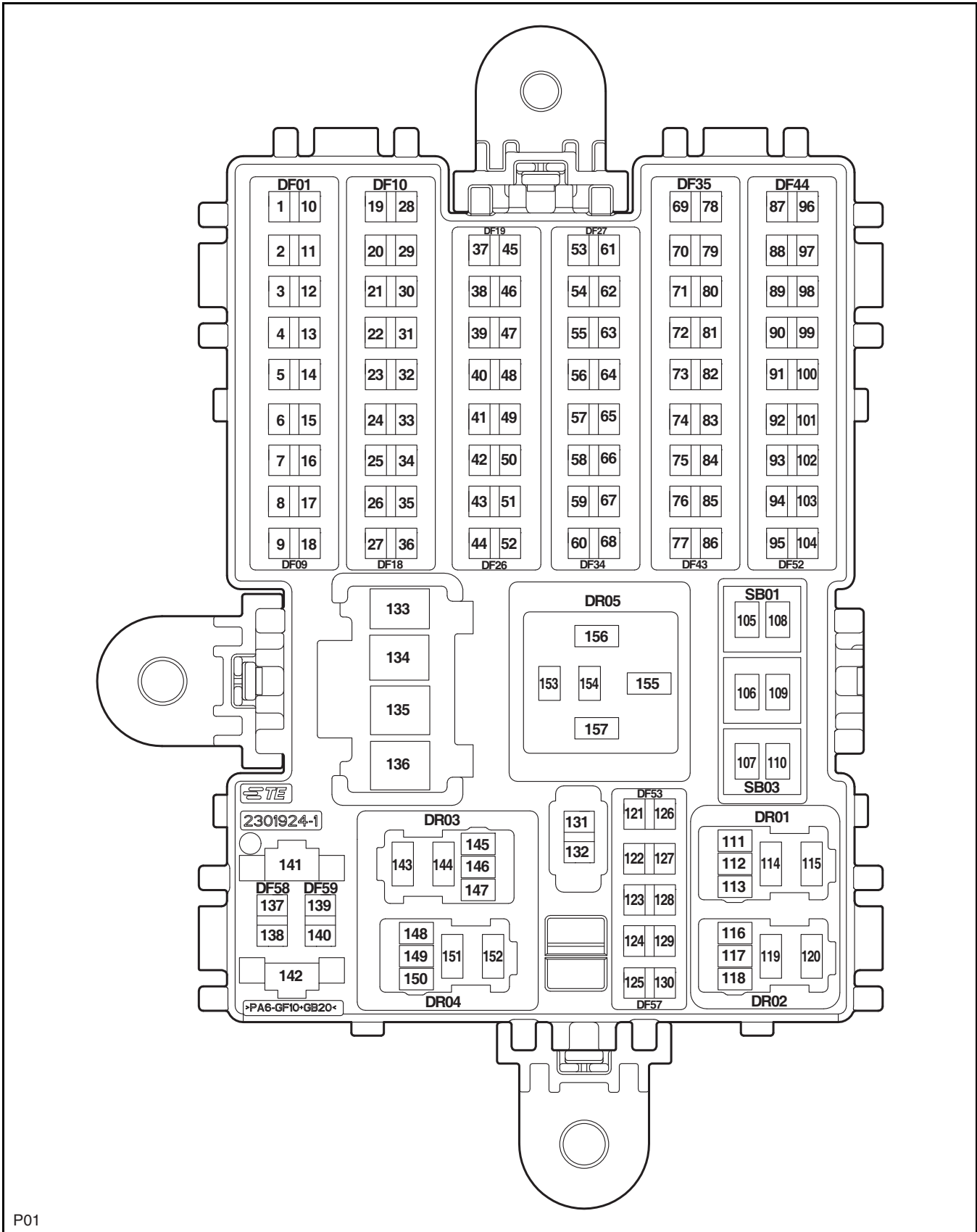
C08

Engine Compartment Fuse Box



C09

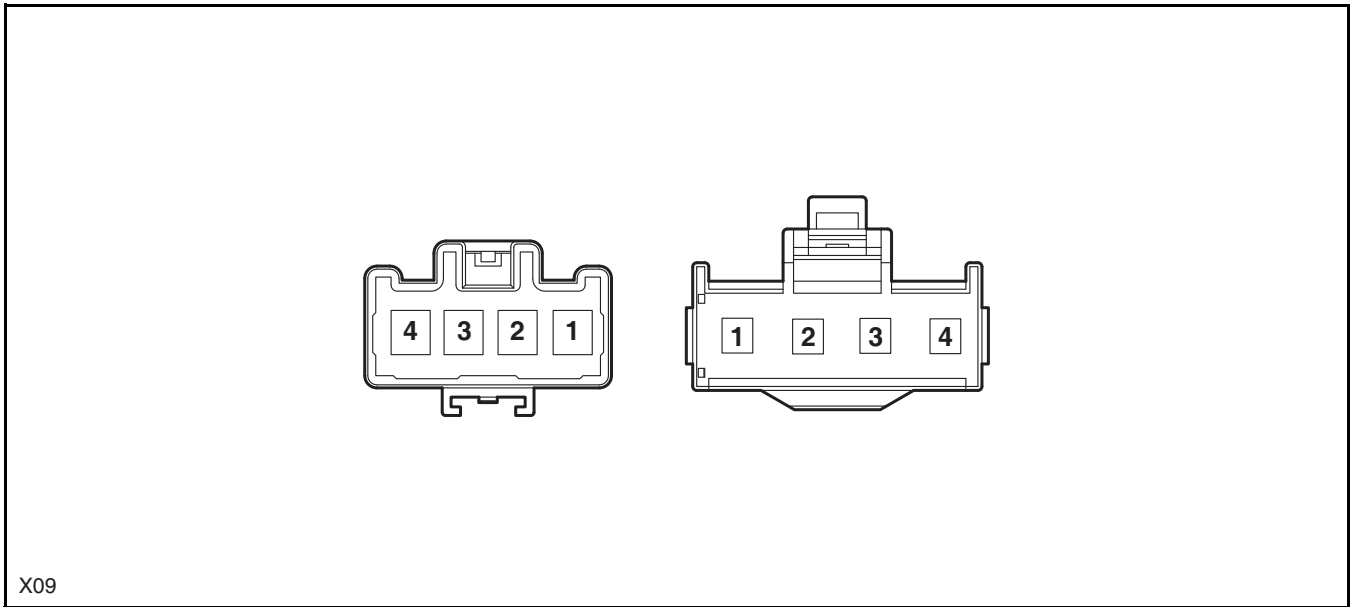
Instrument Panel Fuse Box



P01

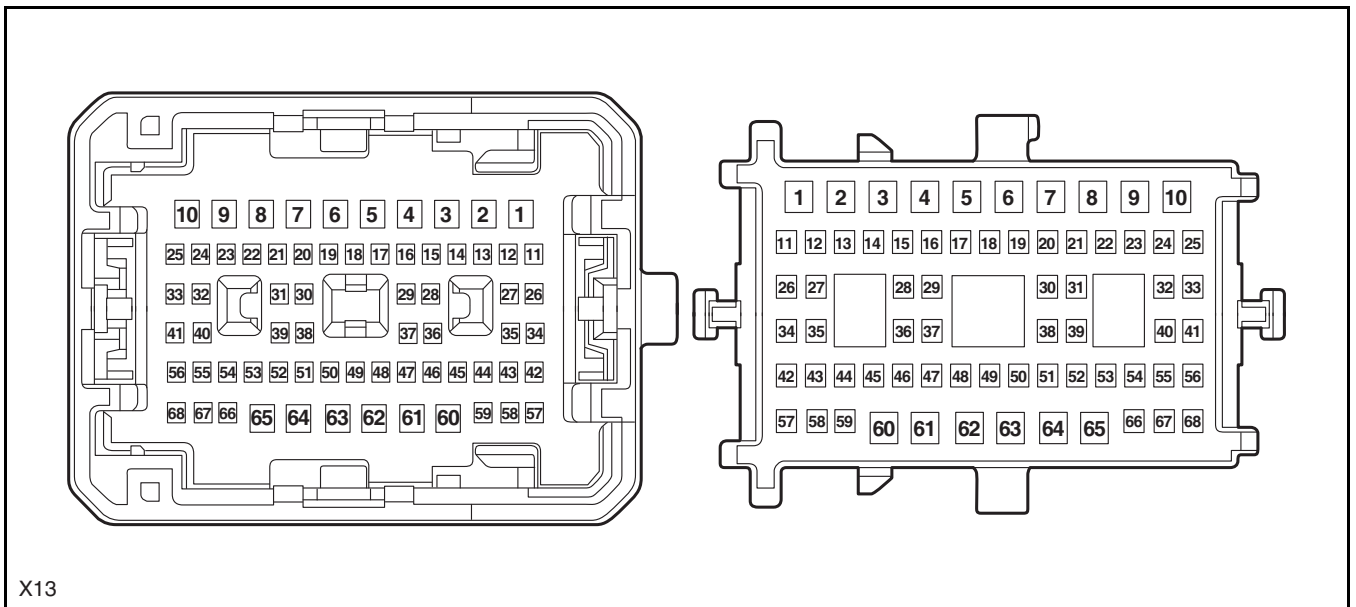
Engine Compartment Wiring Harness to Instrument Panel Wiring Harness (Left 3)

Instrument Panel Wiring Harness (Left 3) to Engine Compartment Wiring Harness

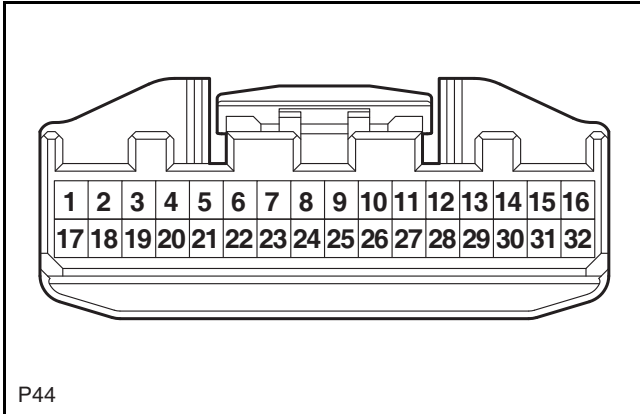


Chassis Wiring Harness to Instrument Panel Wiring Harness (Left 1)

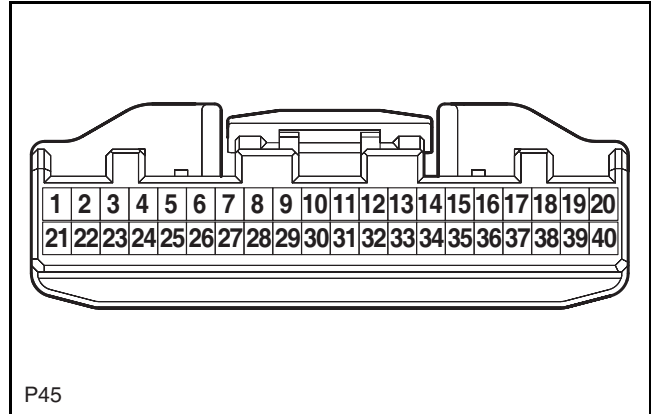
Instrument Panel Wiring Harness (Left 1) to Chassis Wiring Harness



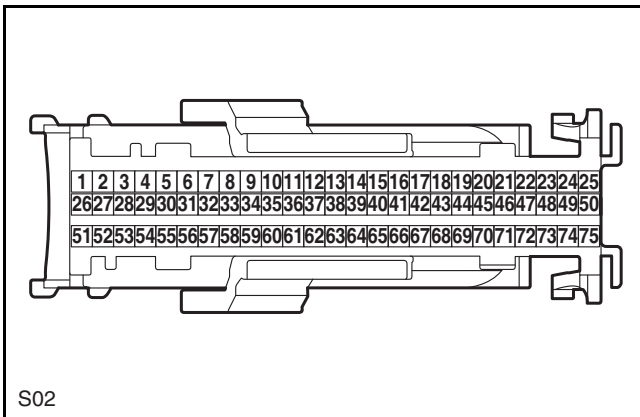
BDC-J1



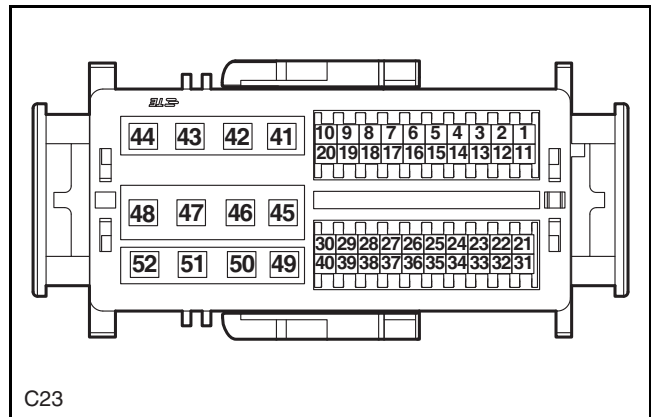
BDC-J2



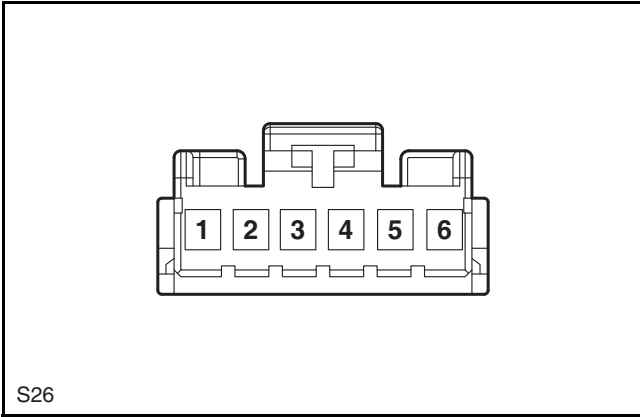
BDC-J3 (Chassis)



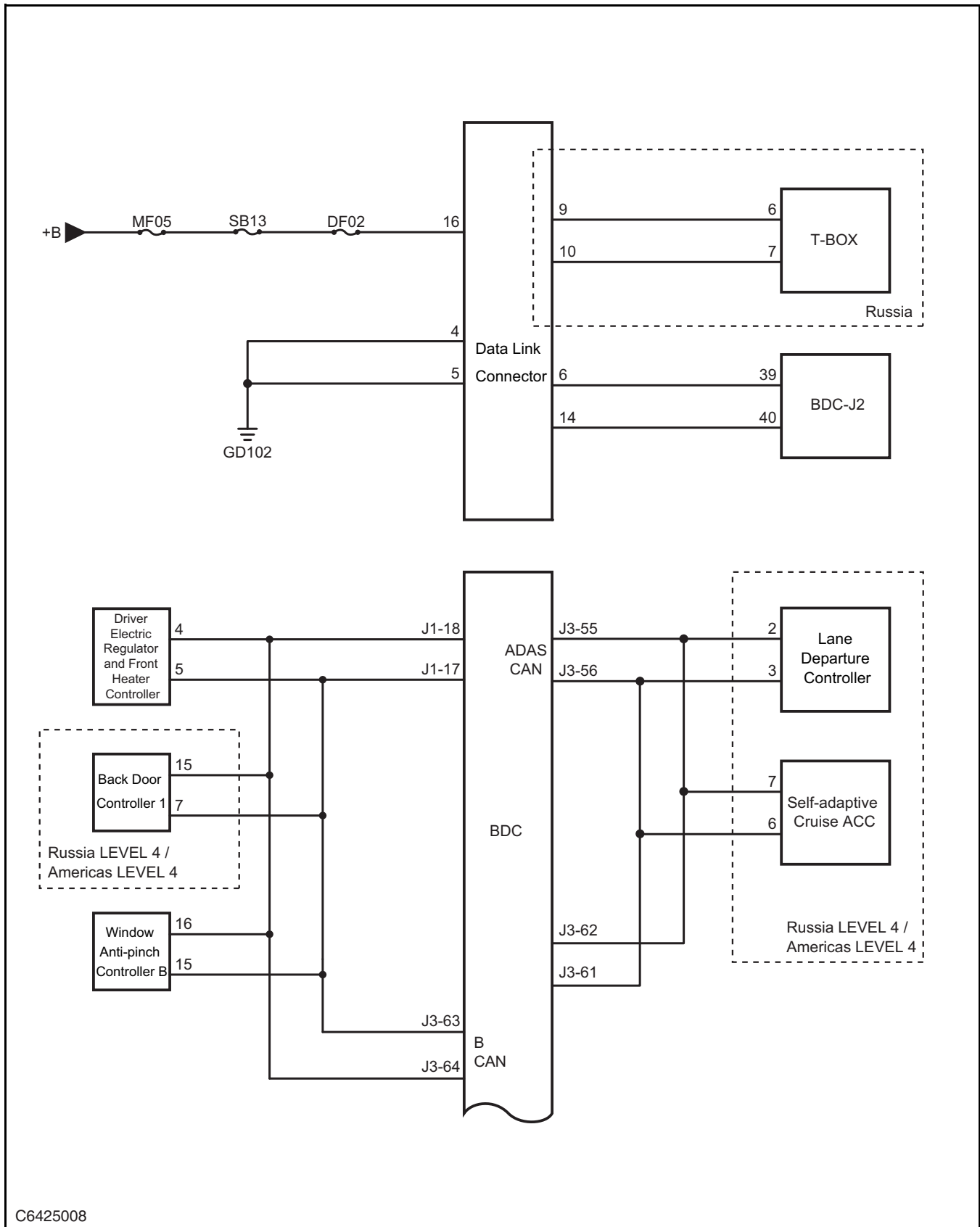
BDC-J5



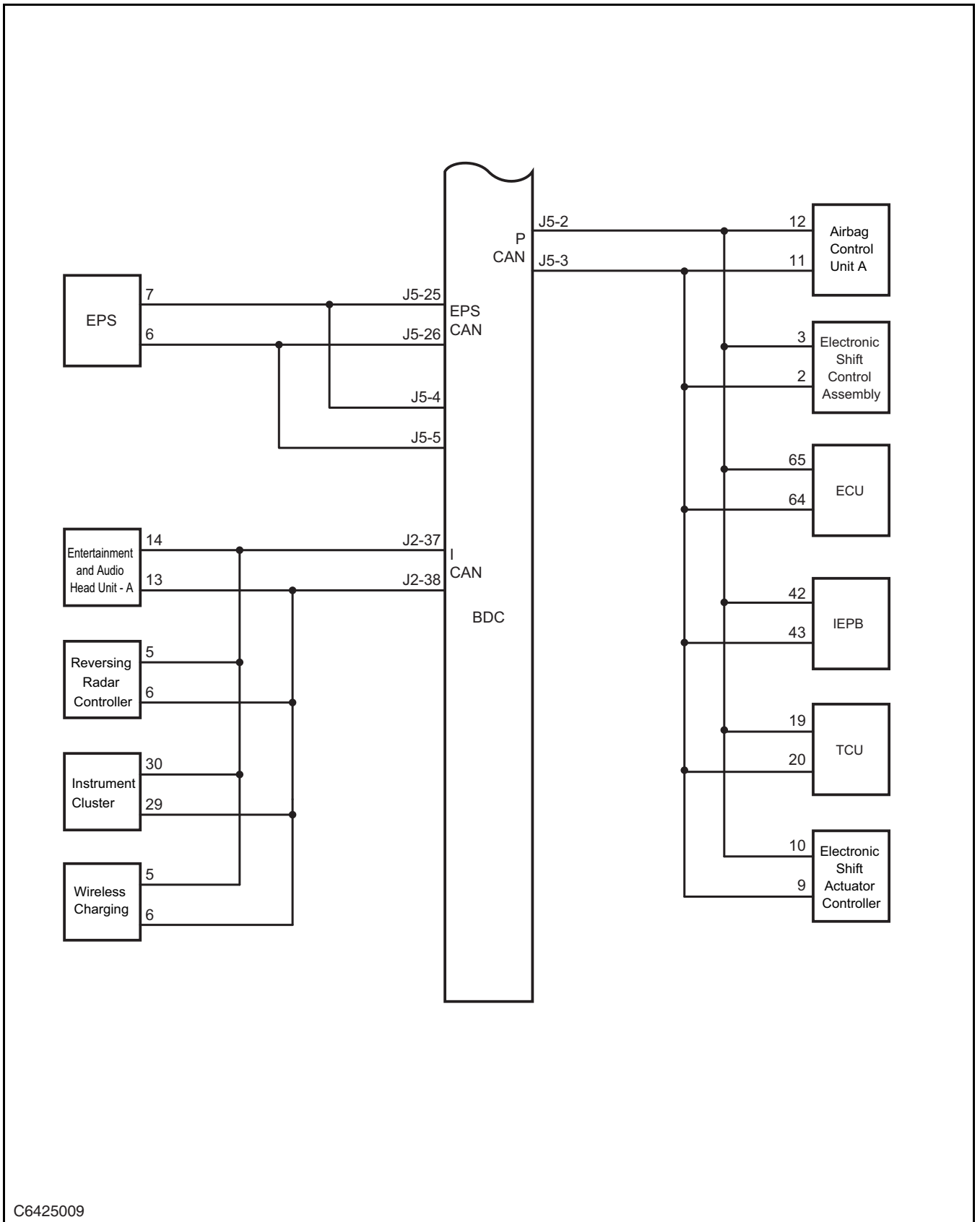
Radio Frequency Receiver



On-board Network System

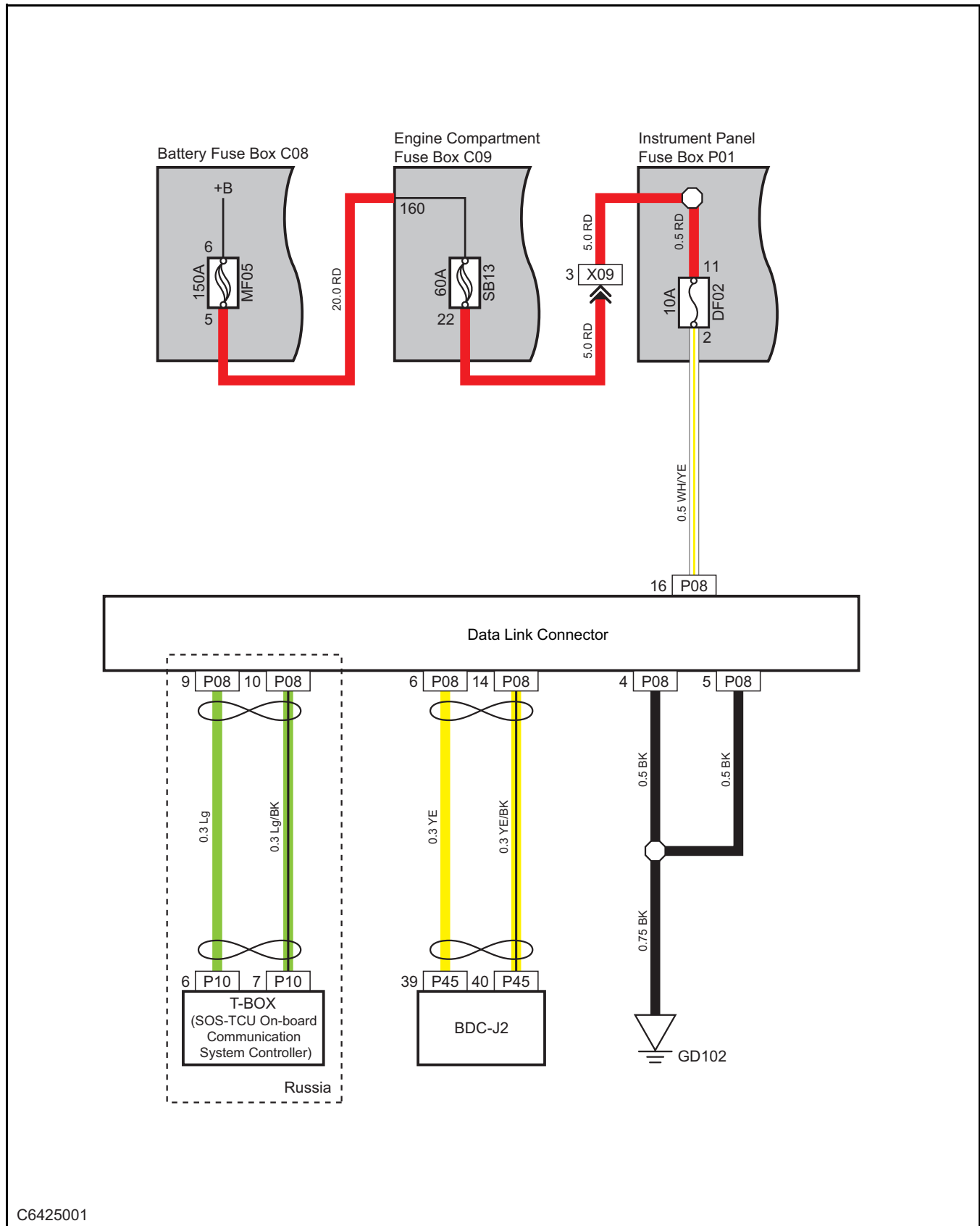


C6425008



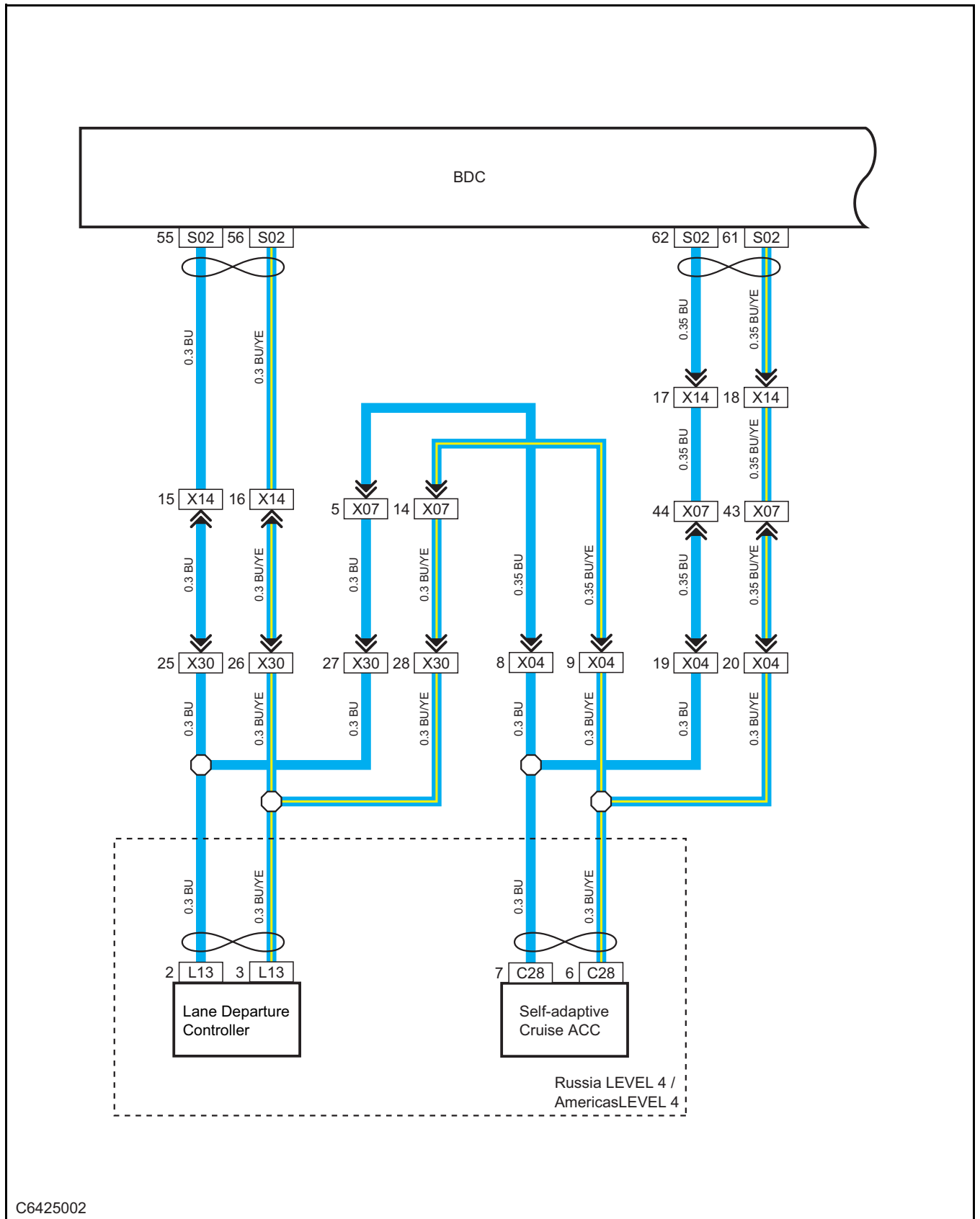
C6425009

Data Link Connector



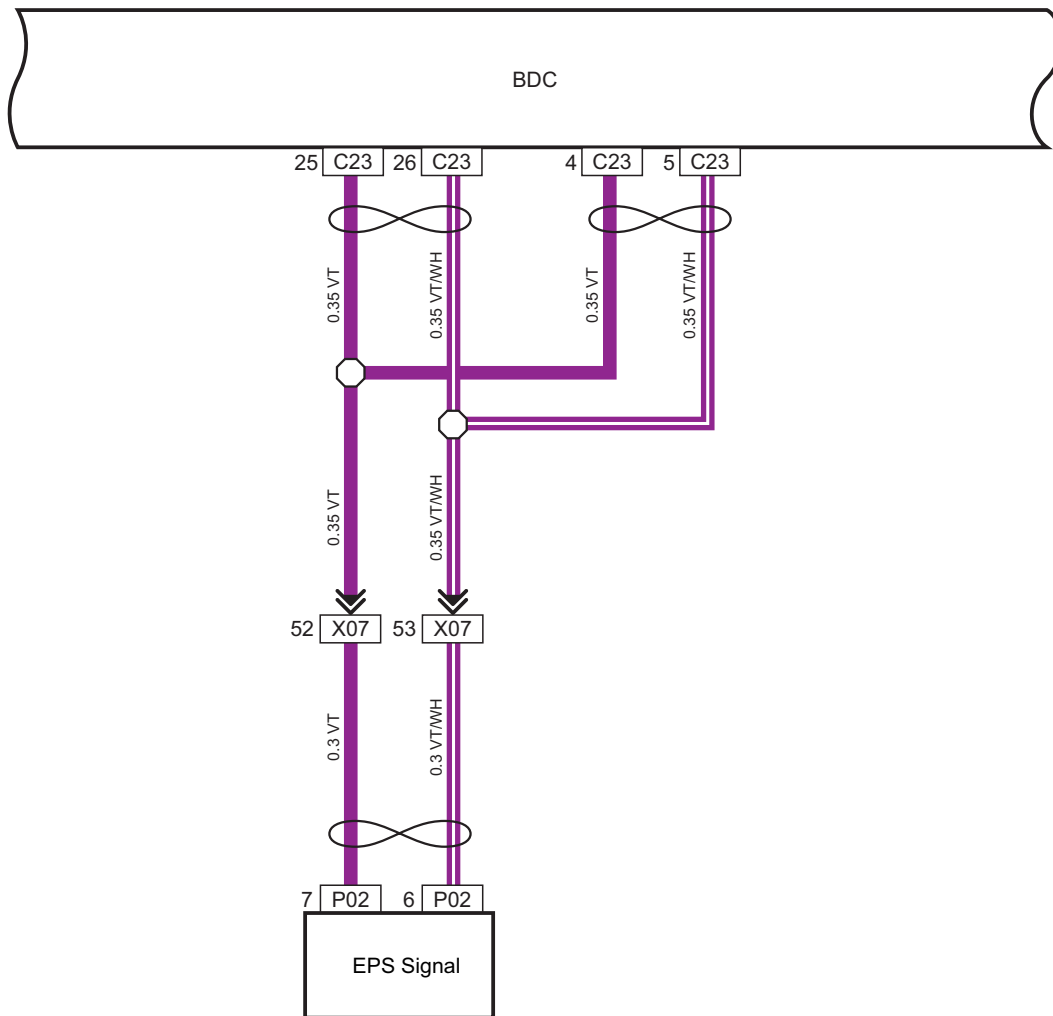
C6425001

ADAS CAN



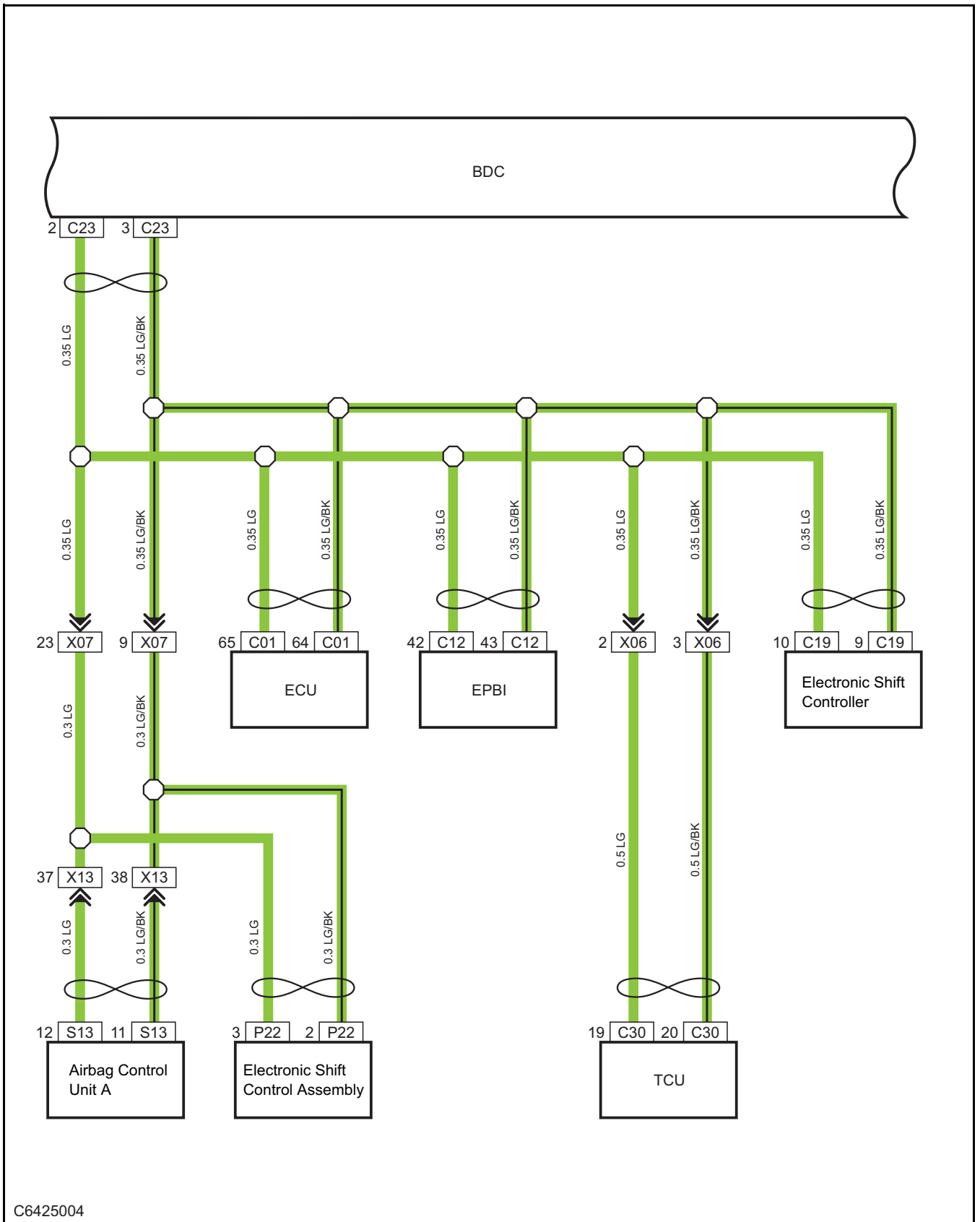
C6425002

EPS CAN



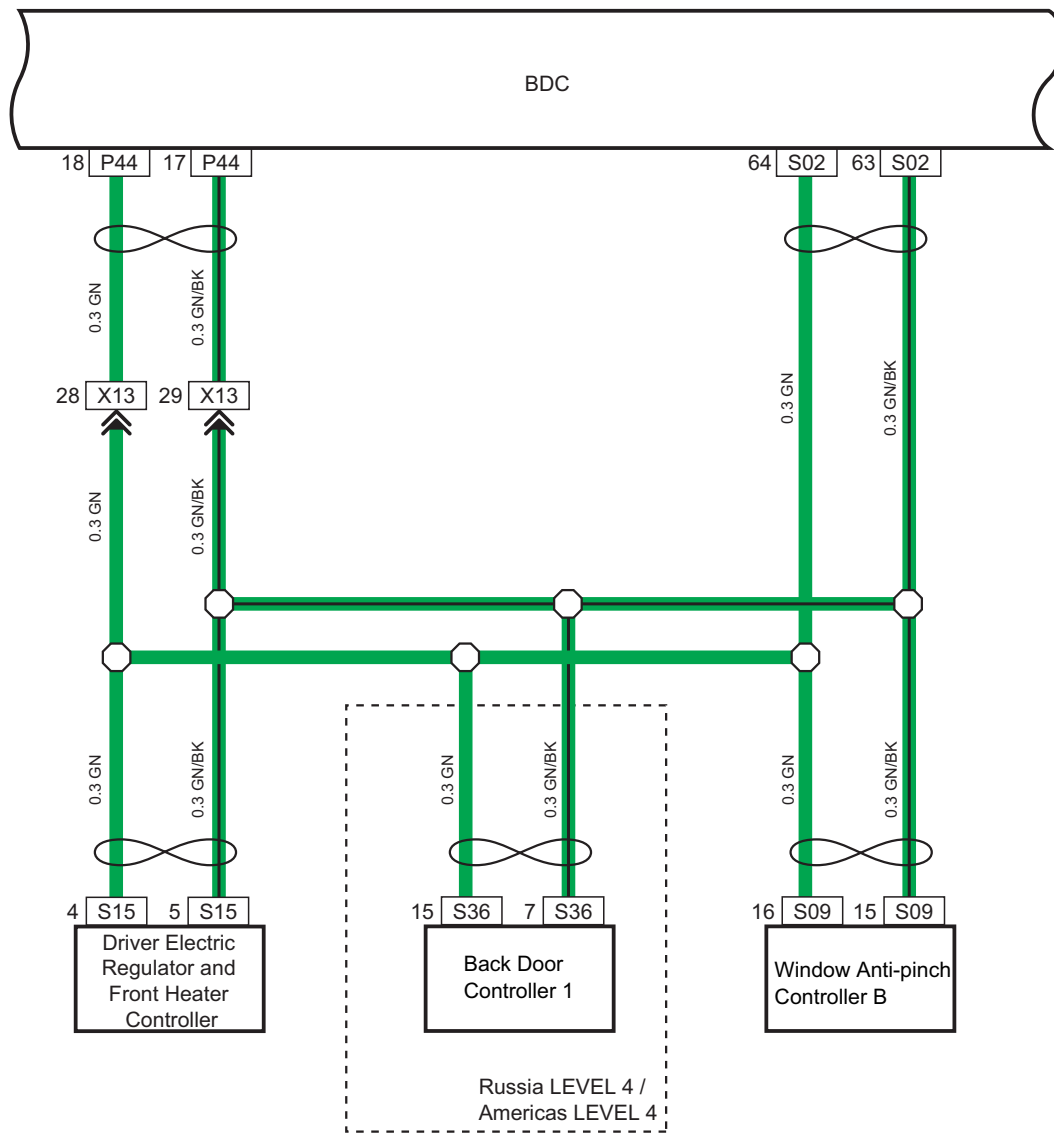
C6425003

P CAN



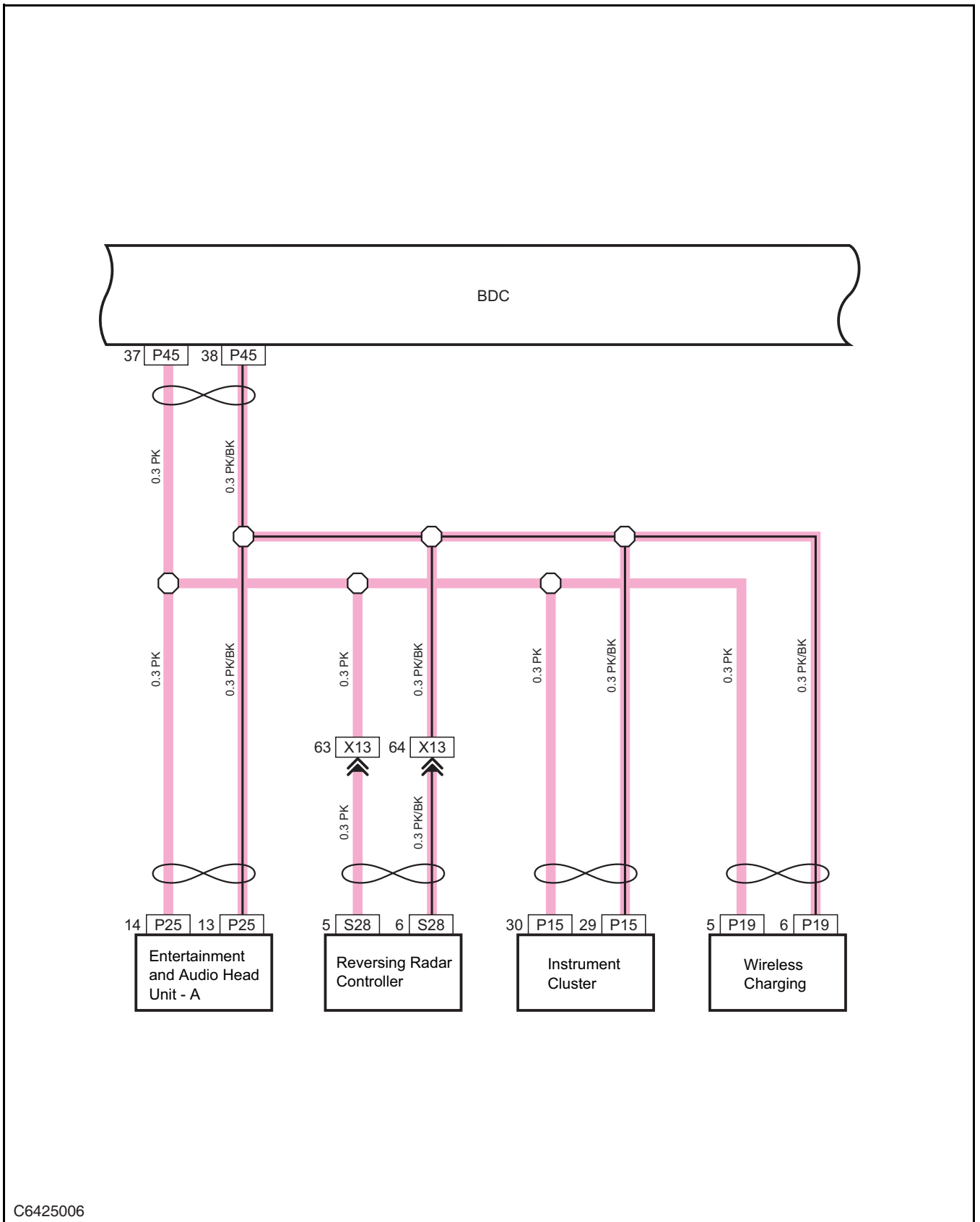
C6425004

B CAN



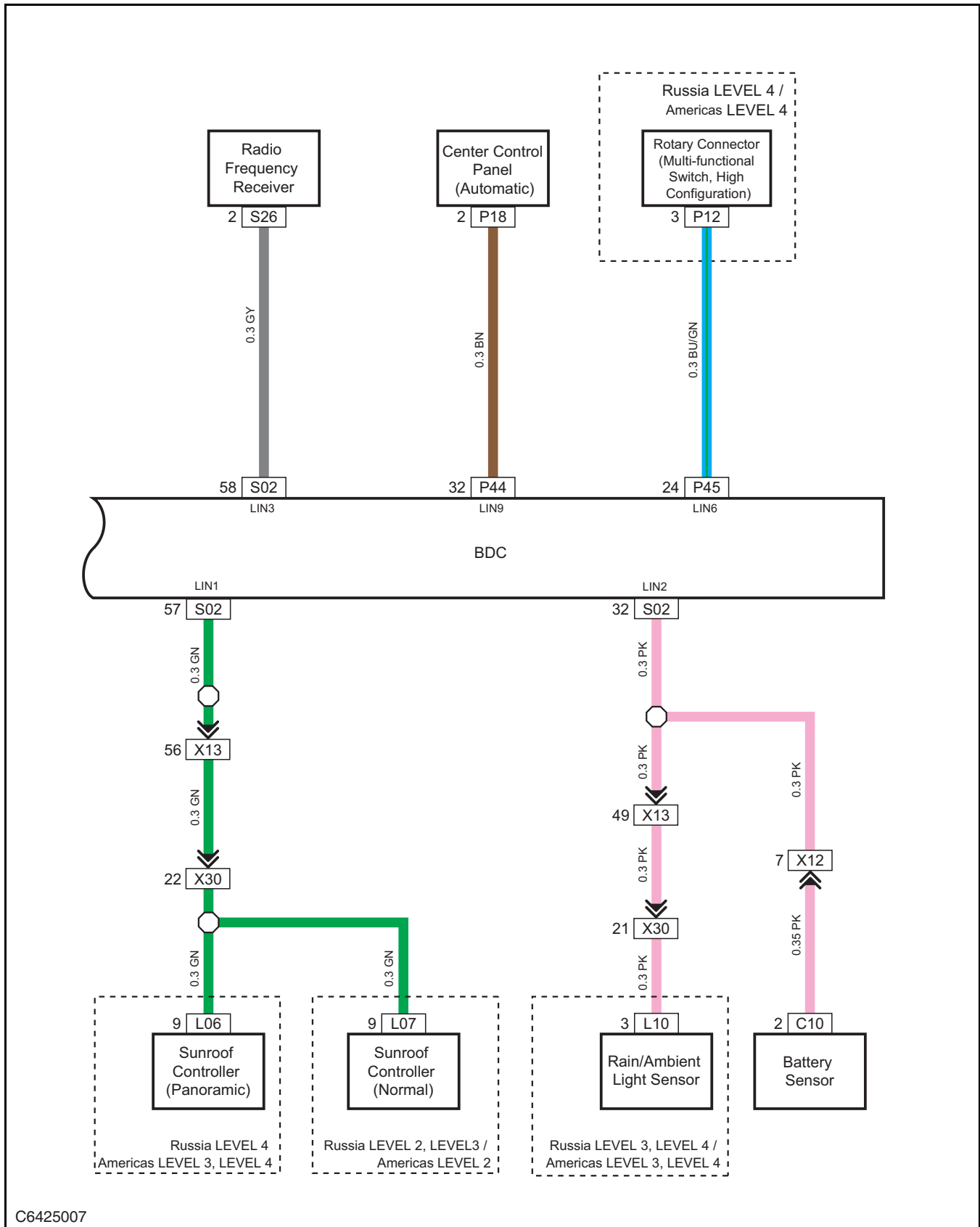
C6425005

I CAN

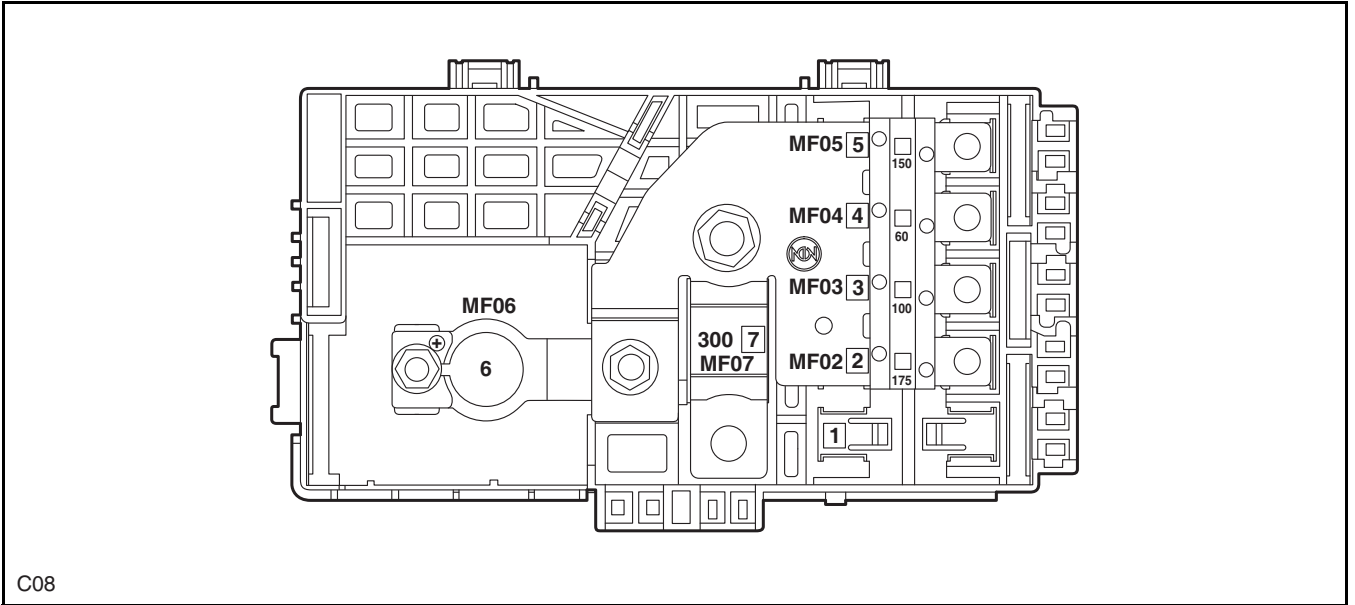


C6425006

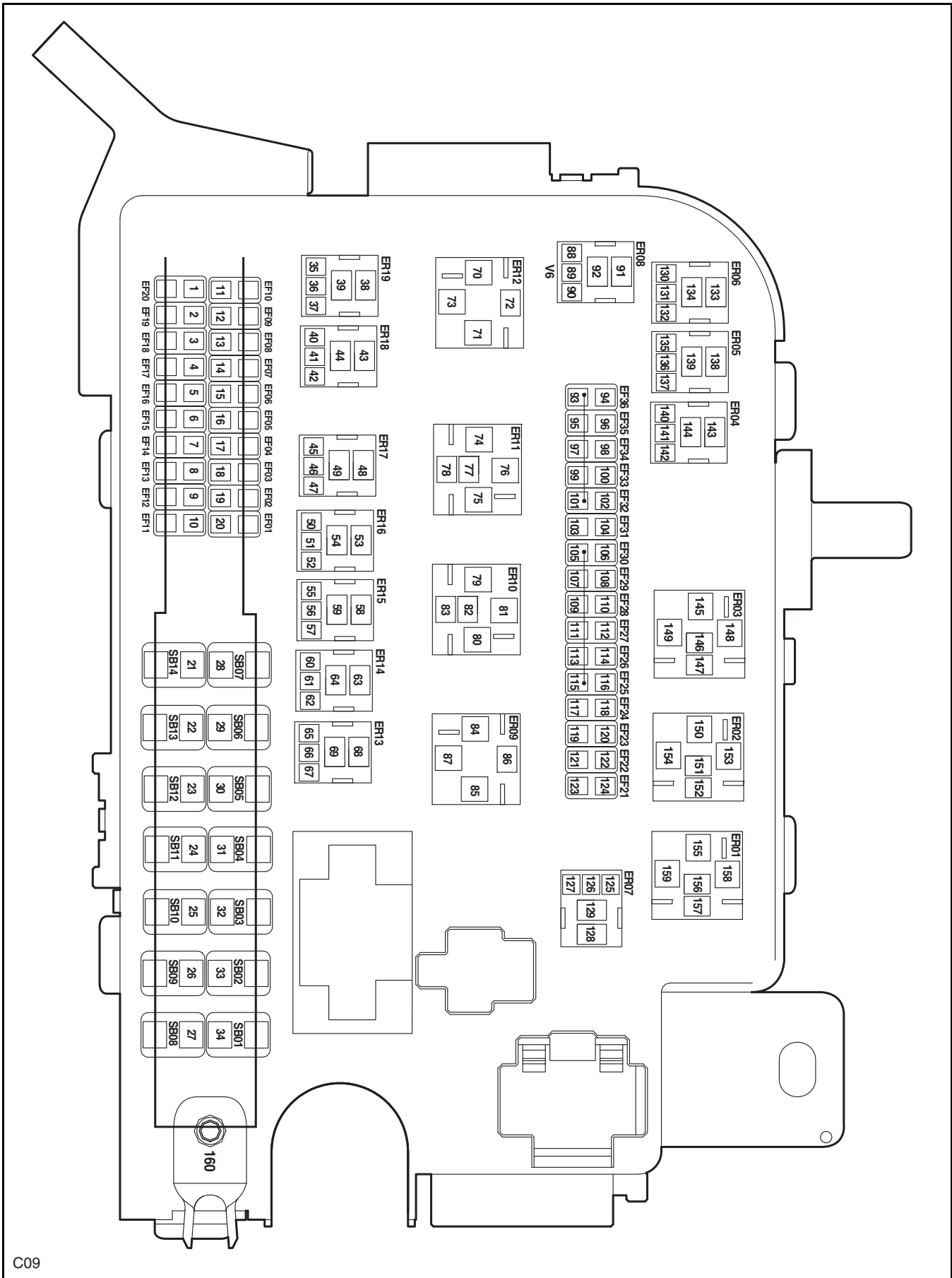
LIN Line



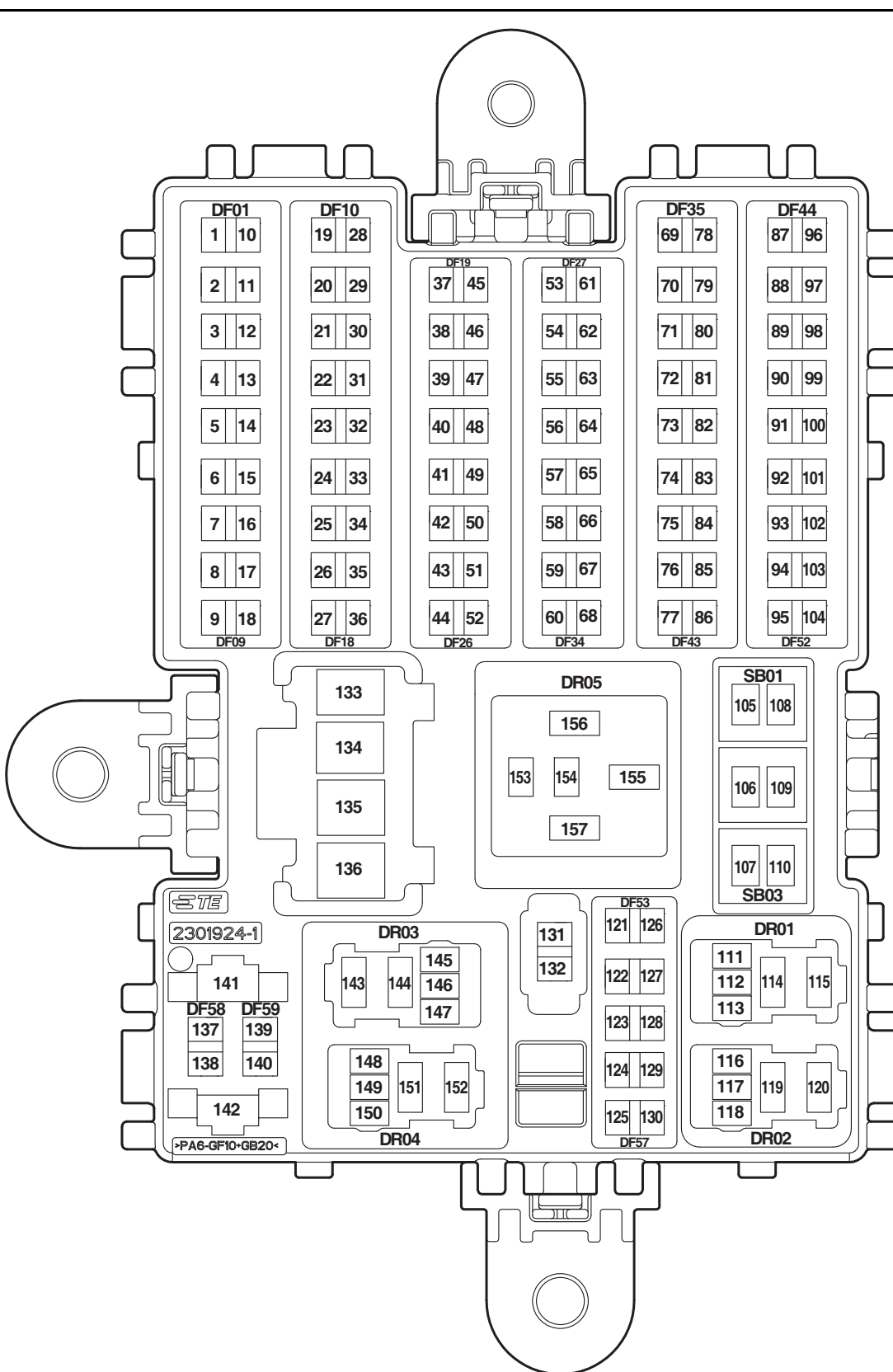
Battery Fuse Box



Engine Compartment Fuse Box



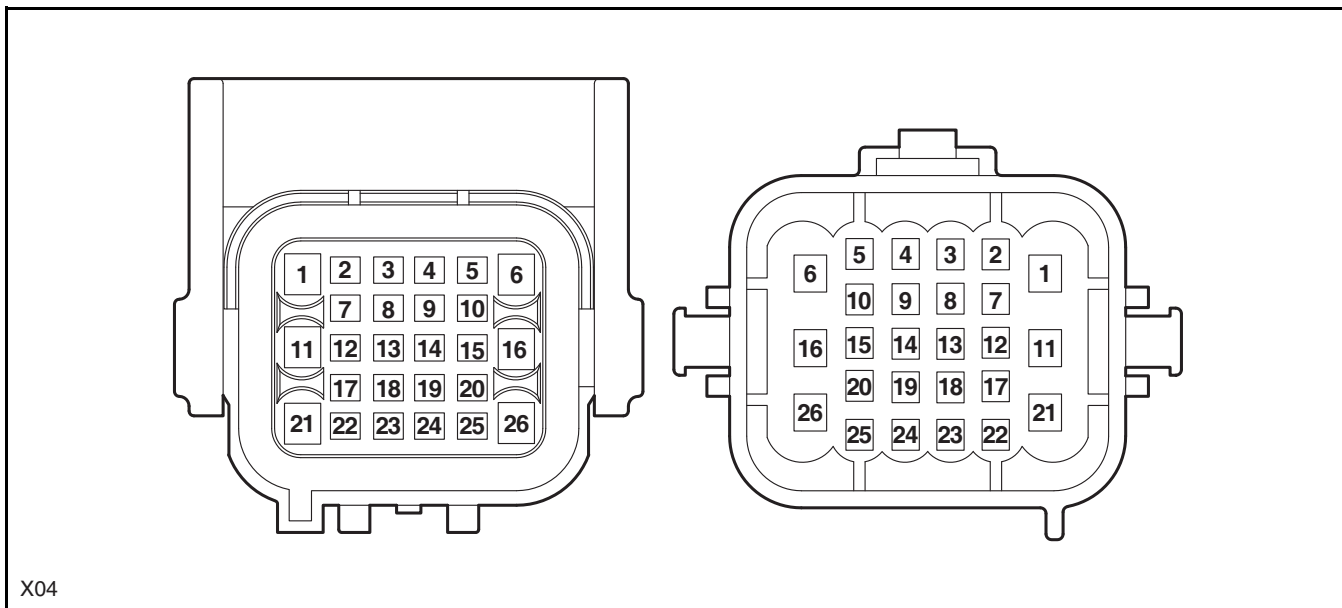
Instrument Panel Fuse Box



P01

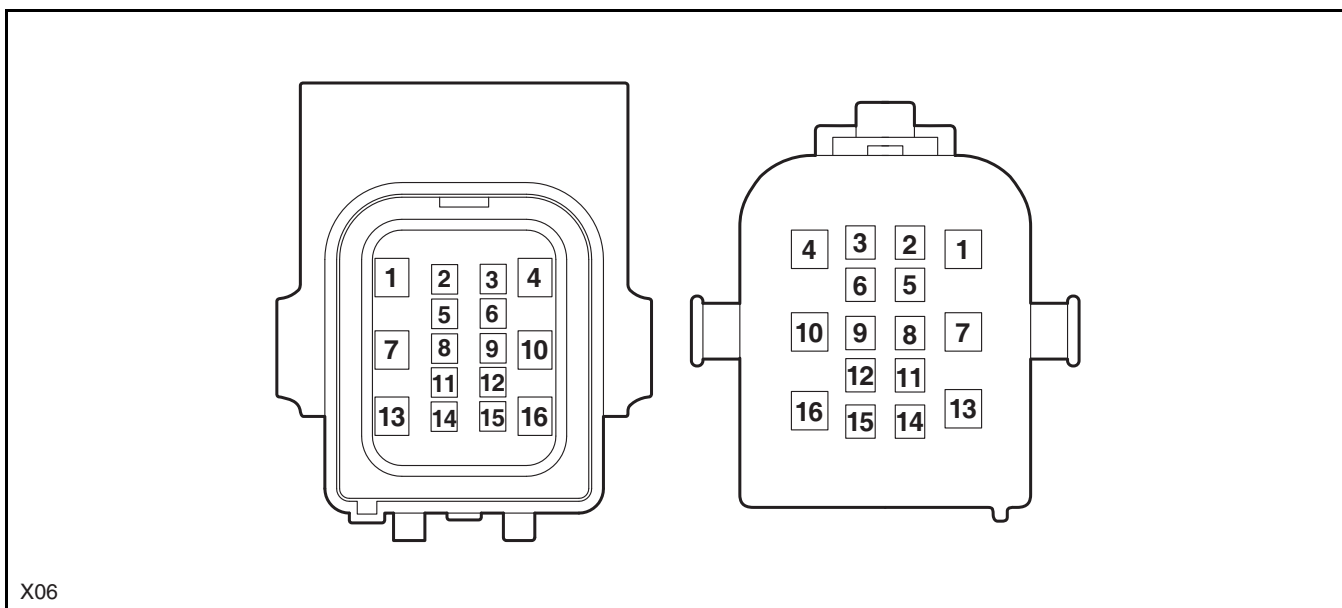
Engine Compartment Wiring Harness to Front End Module Wiring Harness

Front End Module Wiring Harness to Engine Compartment Wiring Harness



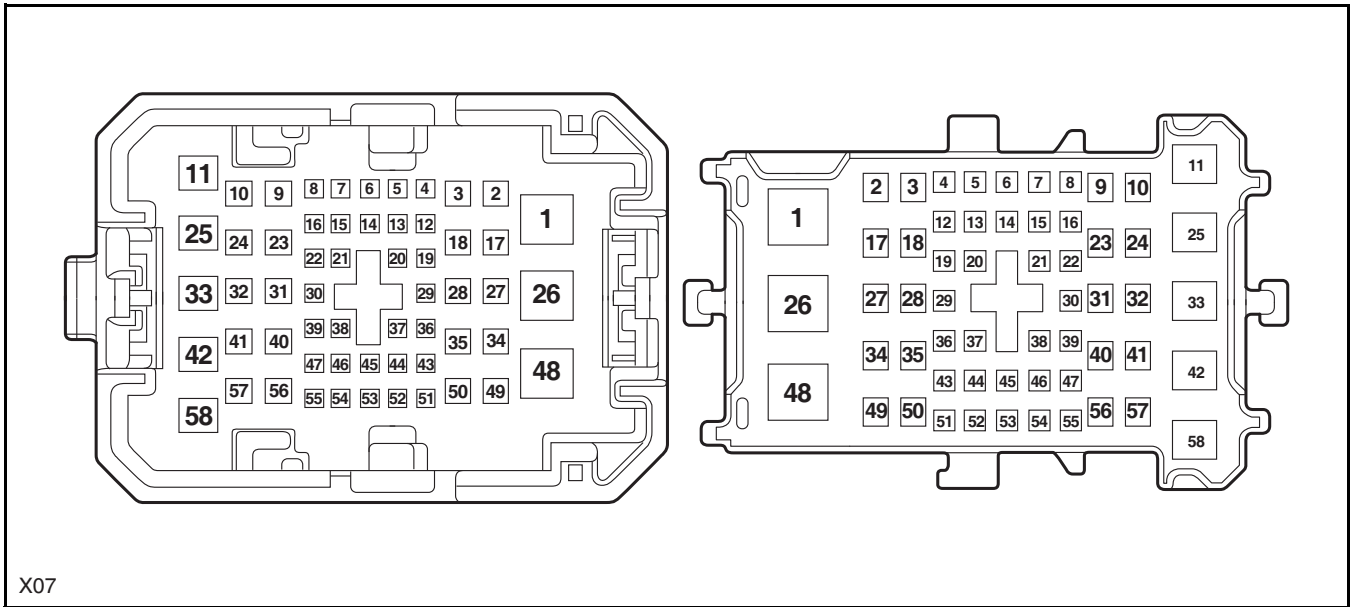
Engine Compartment Wiring Harness to Transmission Wiring Harness

Transmission Wiring Harness to Engine Compartment Wiring Harness



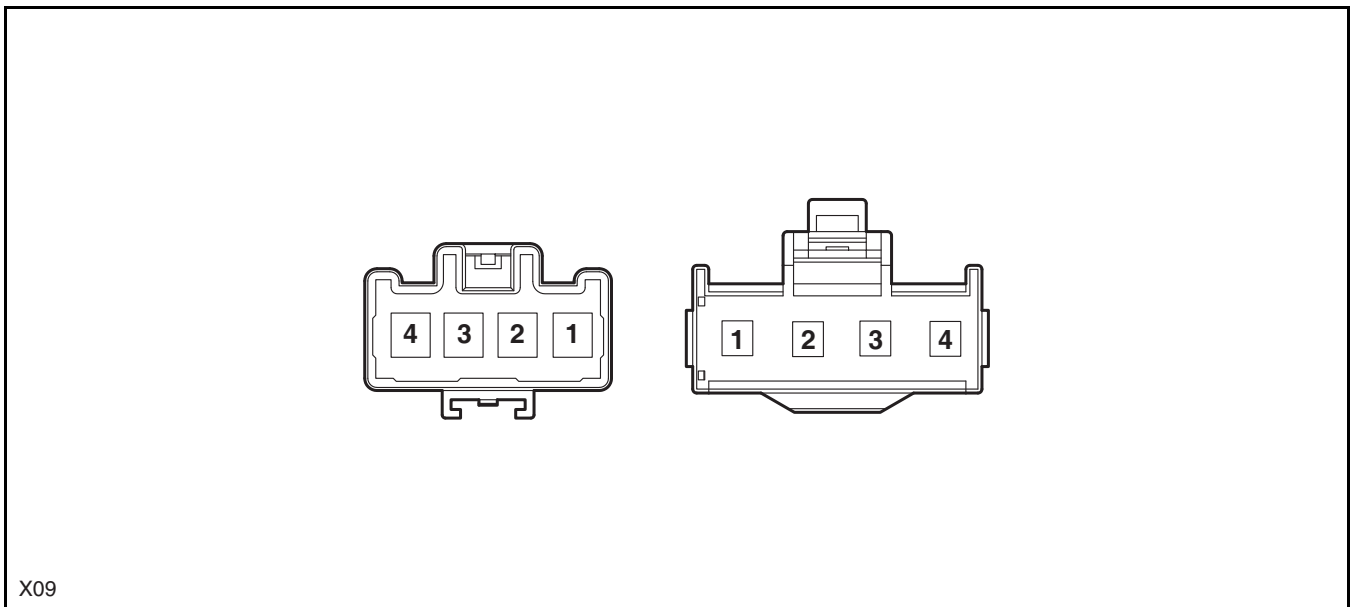
Engine Compartment Wiring Harness to Instrument Panel Wiring Harness (Left 1)

Instrument Panel Wiring Harness (Left 1) to Engine Compartment Wiring Harness



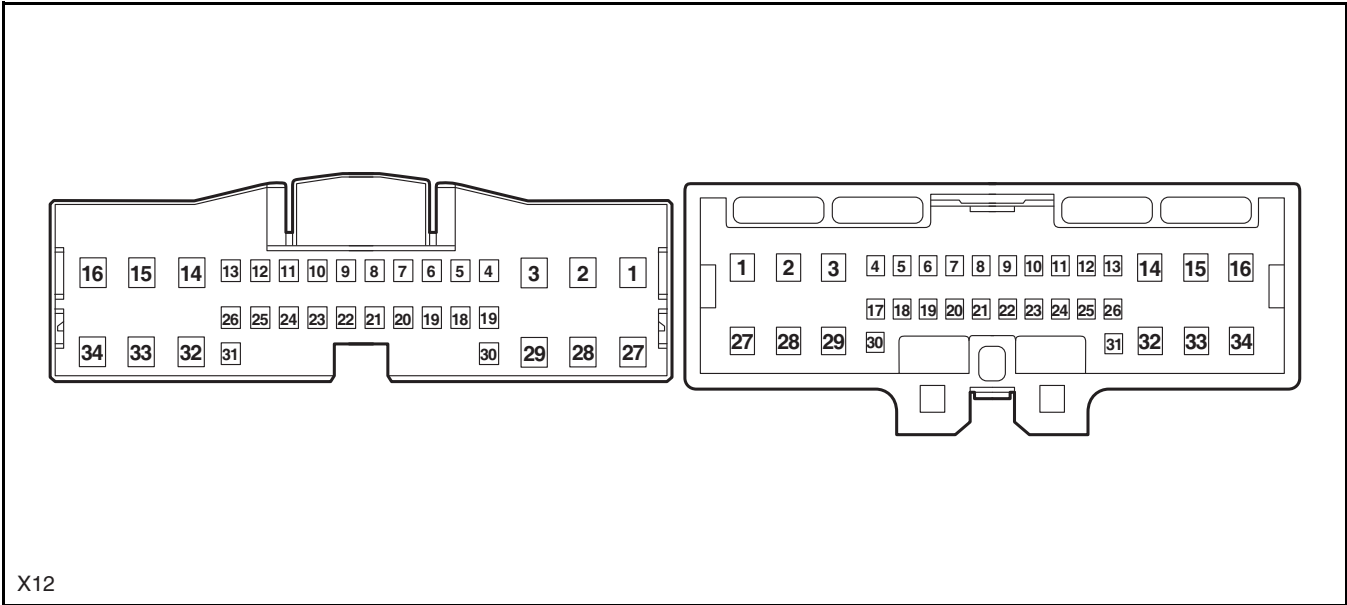
Engine Compartment Wiring Harness to Instrument Panel Wiring Harness (Left 3)

Instrument Panel Wiring Harness (Left 3) to Engine Compartment Wiring Harness



Engine Compartment Wiring Harness to Chassis Wiring Harness (Right 1)

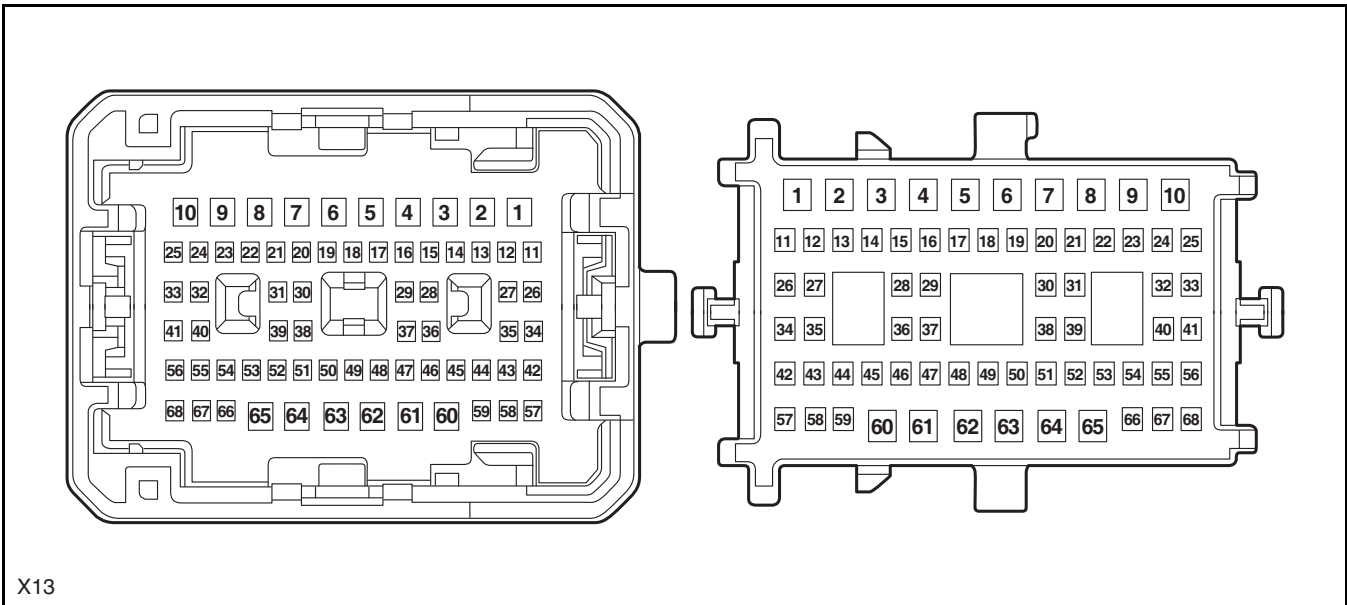
Chassis Wiring Harness (Right 1) to Engine Compartment Wiring Harness



X12

Chassis Wiring Harness to Instrument Panel Wiring Harness (Left 1)

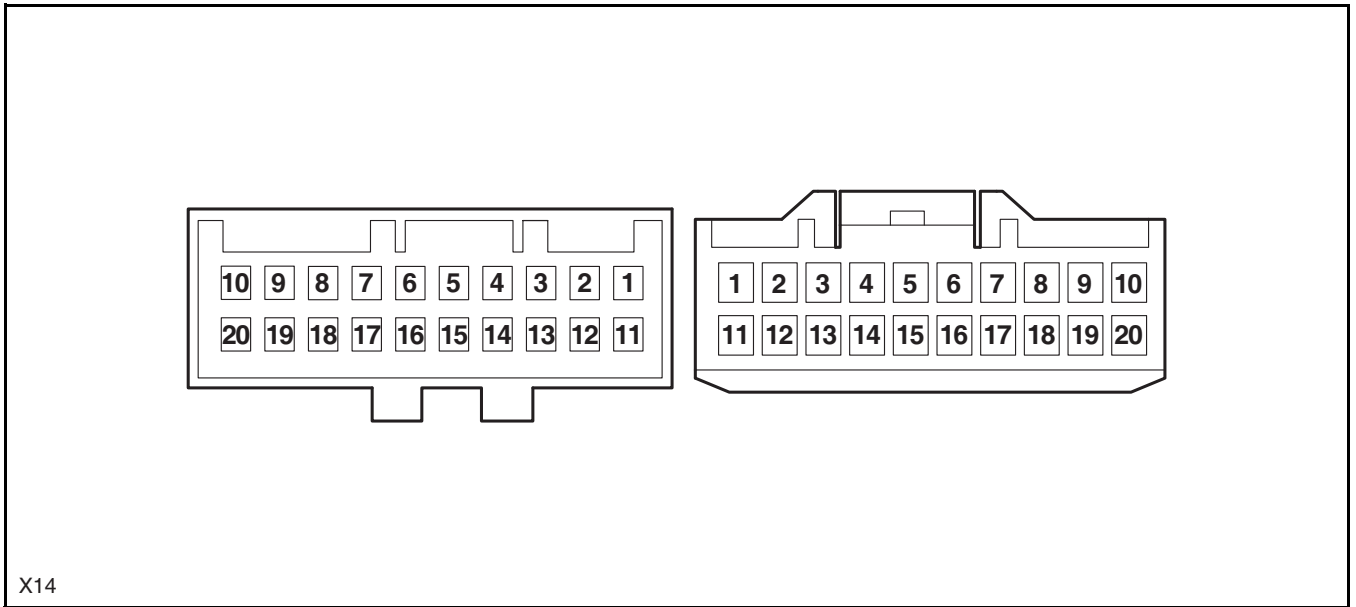
Instrument Panel Wiring Harness (Left 1) to Chassis Wiring Harness



X13

Chassis Wiring Harness to Instrument Panel Wiring Harness (Middle 1)

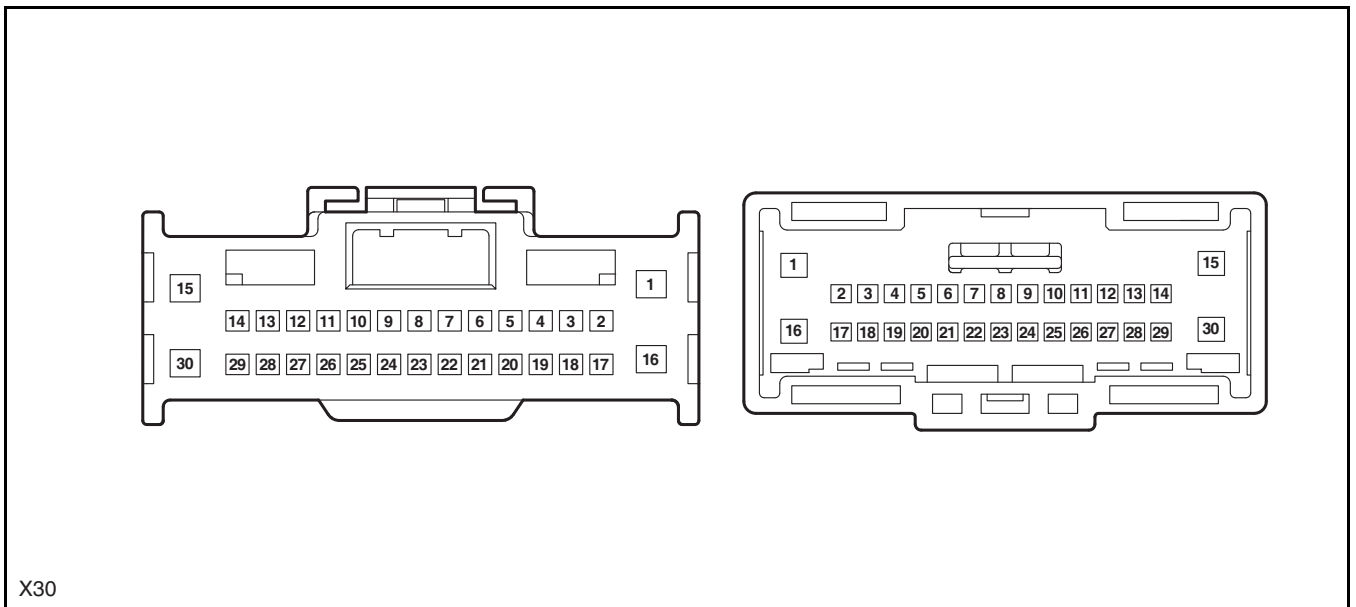
Instrument Panel Wiring Harness (Middle 1) to Chassis Wiring Harness



X14

Instrument Panel Wiring Harness to Roof Wiring Harness (Left)

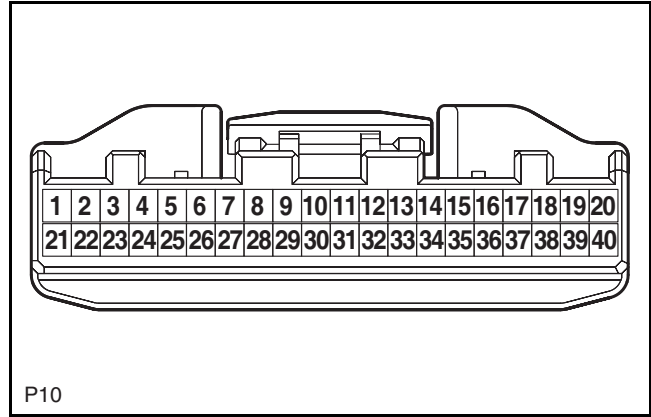
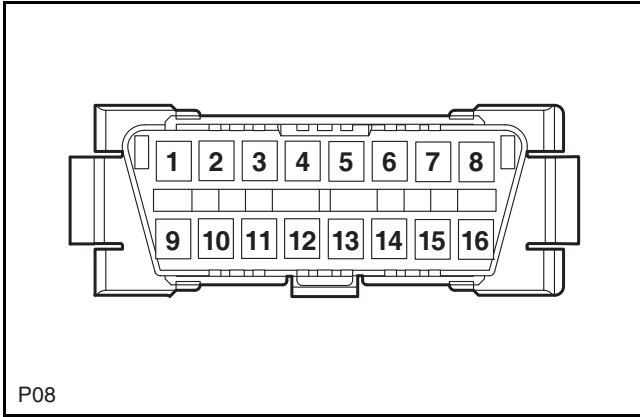
Roof Wiring Harness (Left) to Instrument Panel Wiring Harness



X30

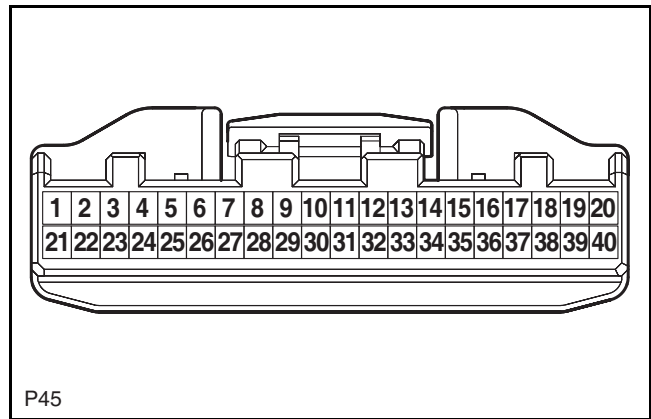
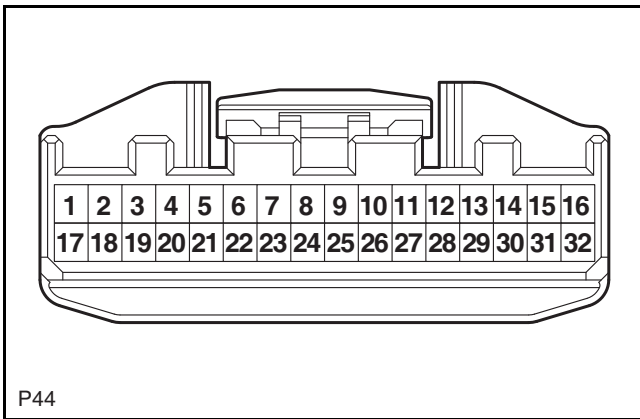
Data Link Connector

T-BOX

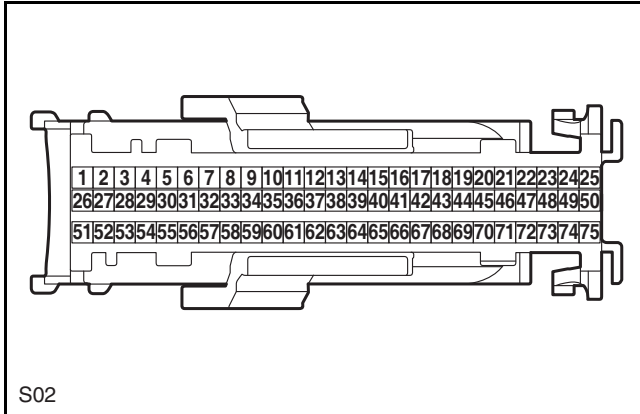


BDC-J1

BDC-J2

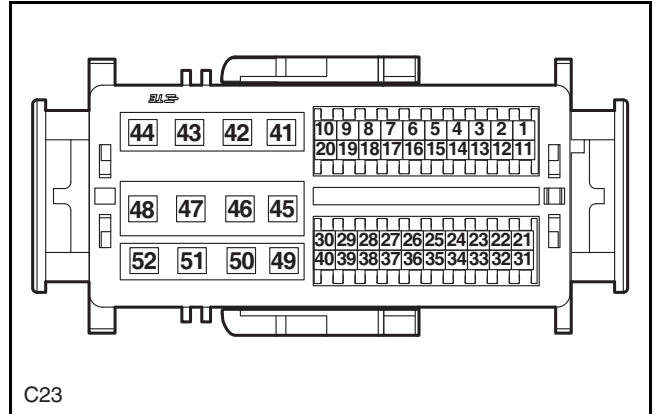


BDC-J3 (Chassis)

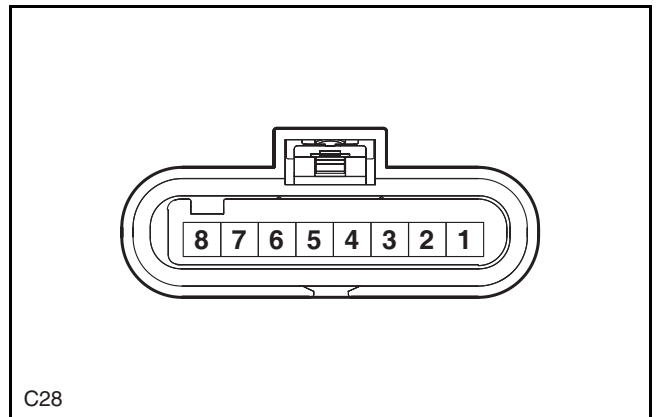
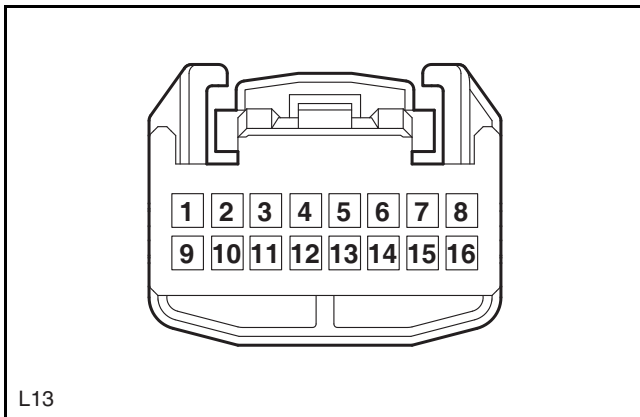


Lane Departure Controller

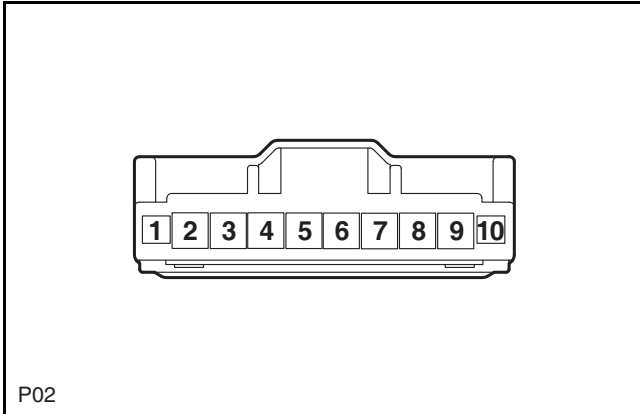
BDC-J5



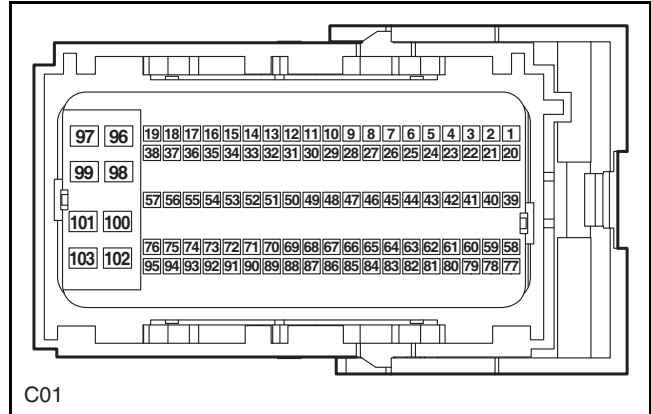
Self-adaptive Cruise ACC



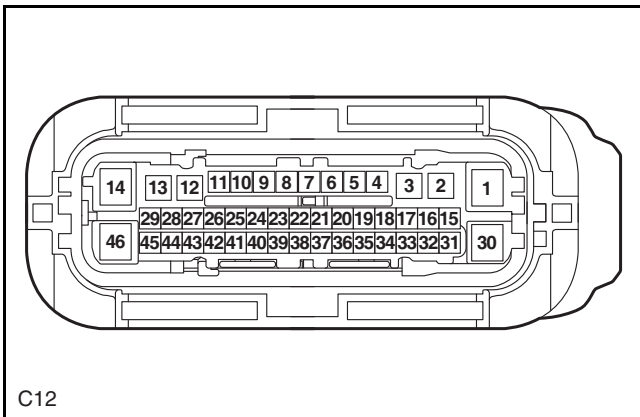
EPS Signal



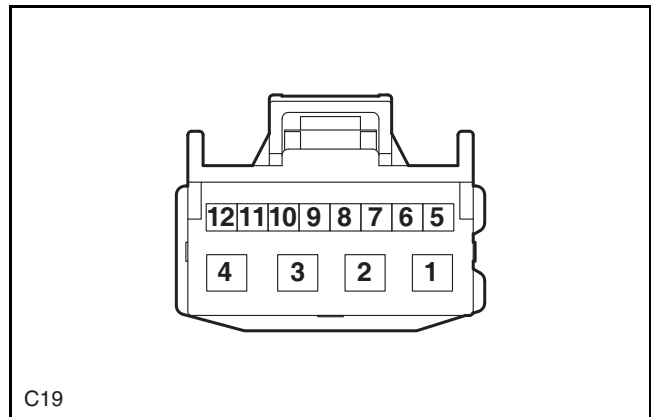
ECU-2



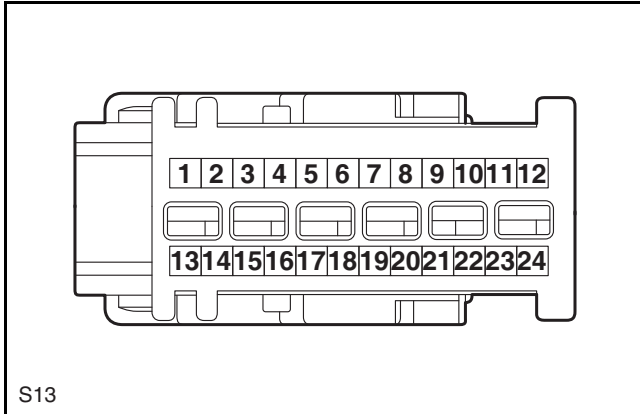
EPBI



Electronic Shift Controller A

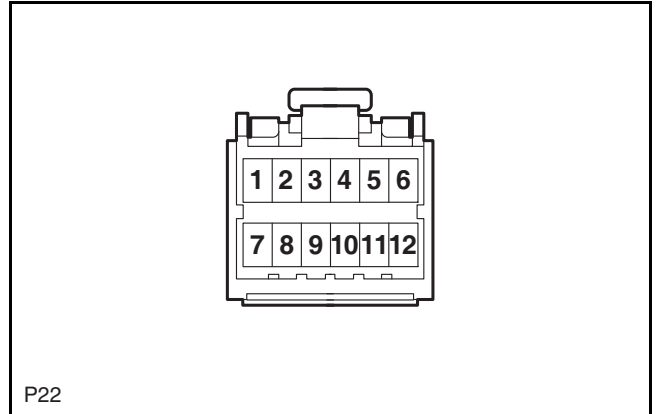


Airbag Control Unit A

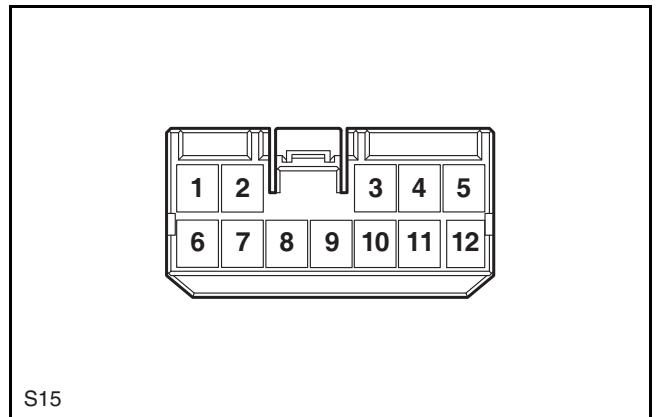
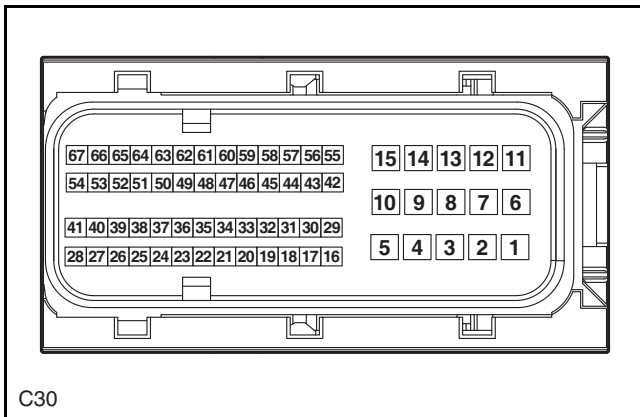


TCU

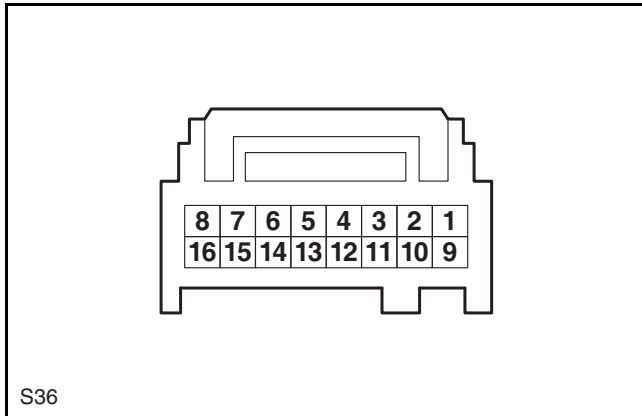
Electronic Shift Control Assembly



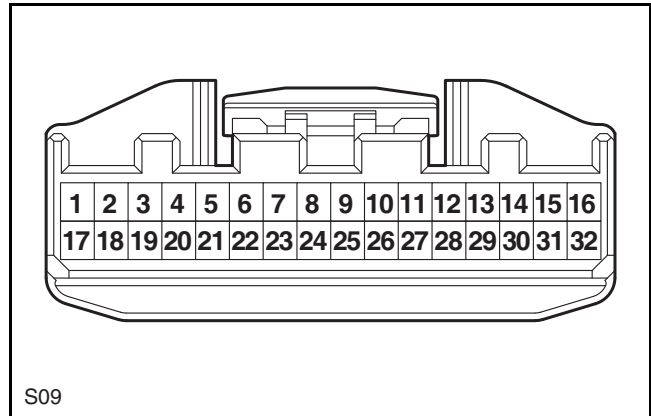
Driver Electric Regulator and Front Heater Controller



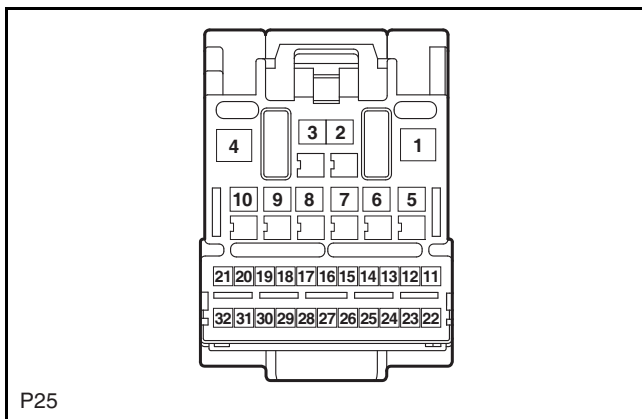
Back Door Controller 1



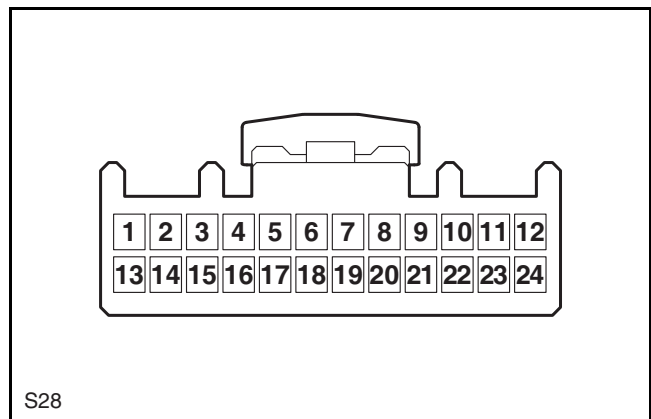
Window Anti-pinch Controller B



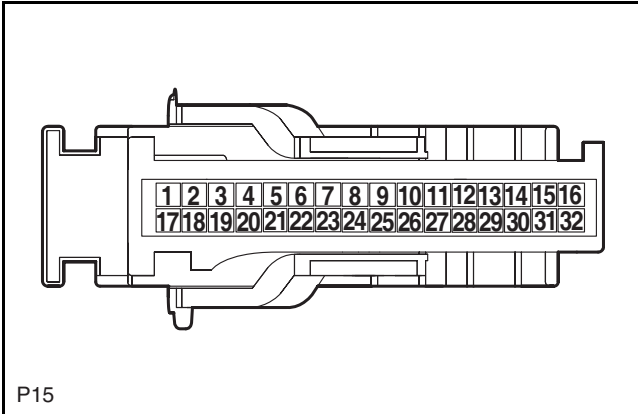
Entertainment and Audio Head Unit - A



Reversing Radar Controller

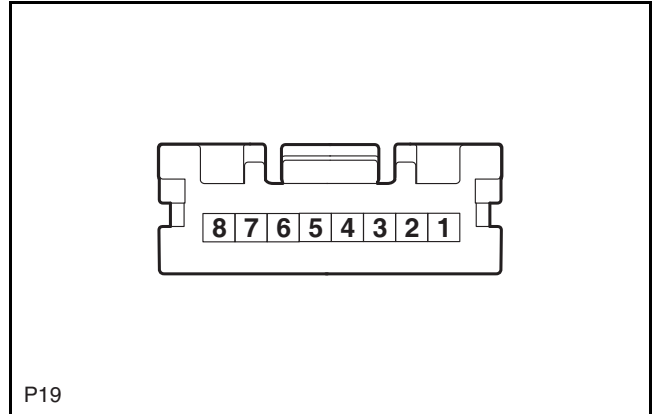


Instrument Cluster



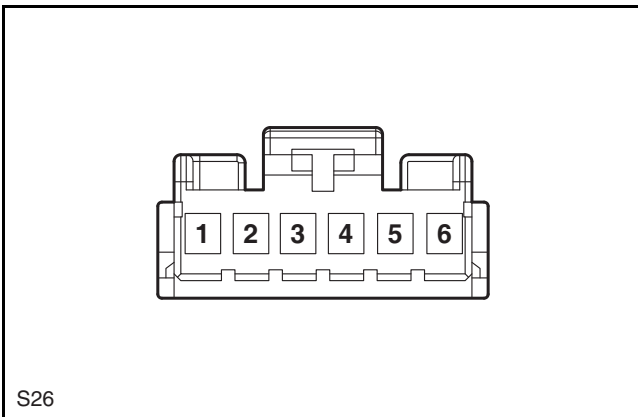
P15

Wireless Charging



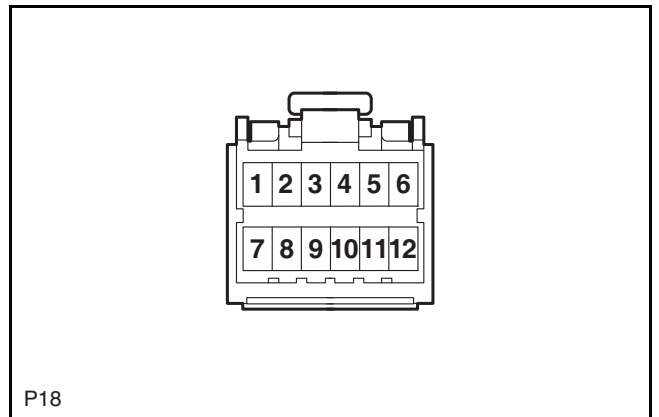
P19

Radio Frequency Receiver



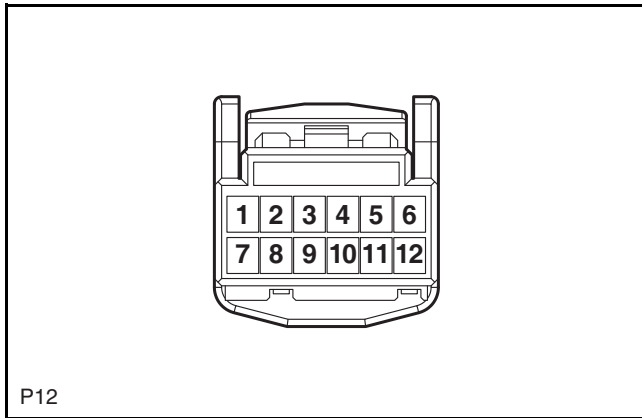
S26

Center Control Panel (Automatic)



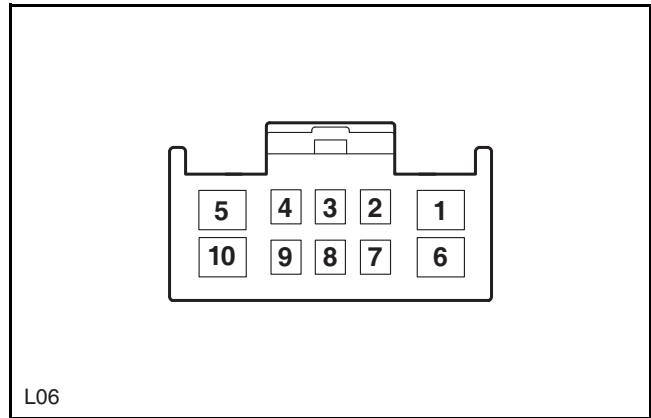
P18

Rotary Connector (Multi-functional Switch, High Configuration/Low Configuration)

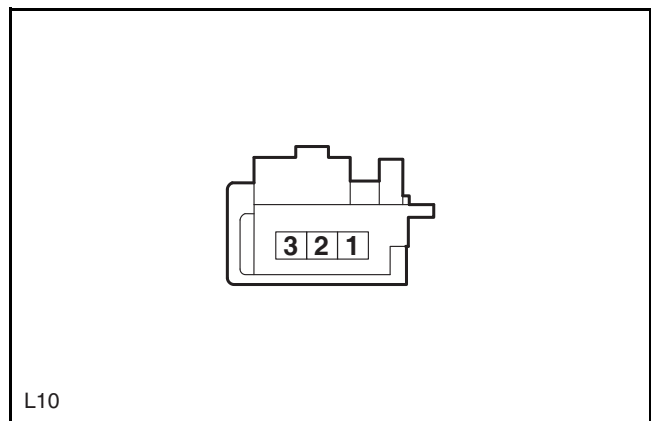
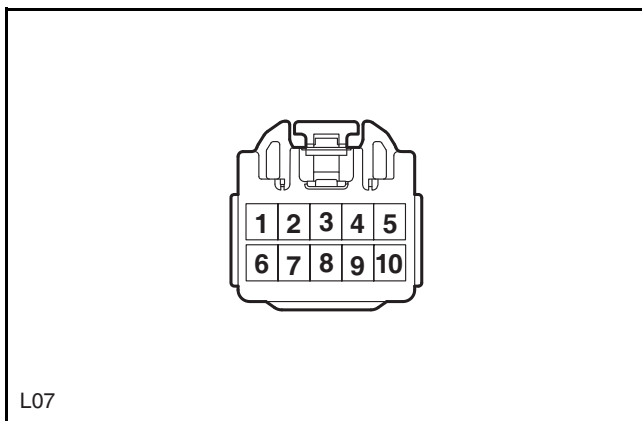


Sunroof Controller (Normal)

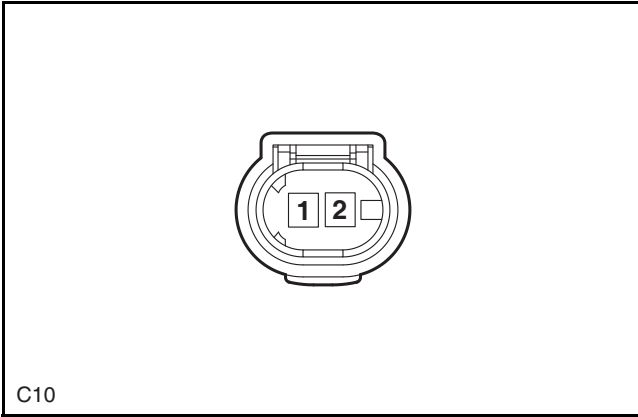
Sunroof Controller (Panoramic)



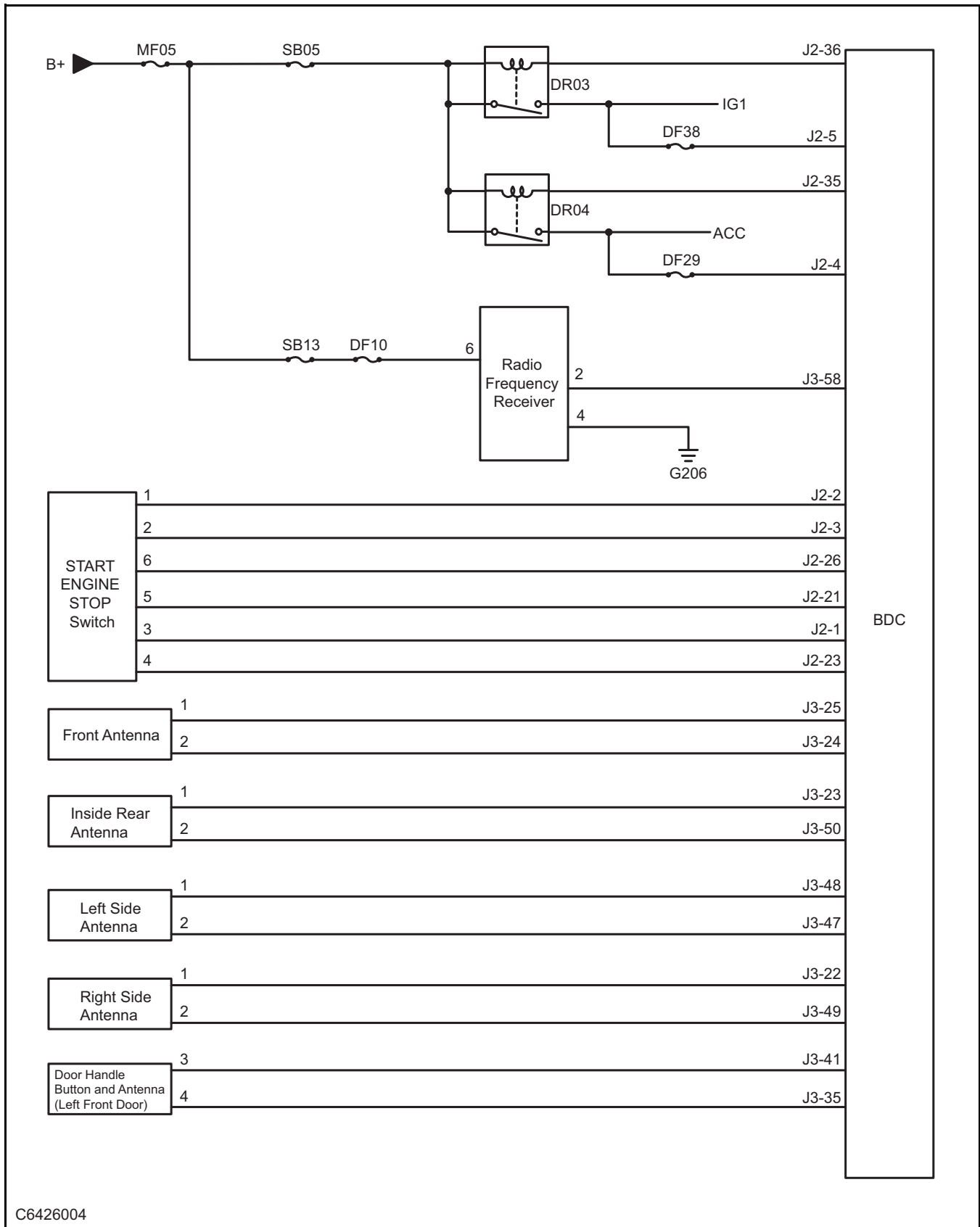
Rain/Ambient Light Sensor



Battery Sensor (STT)

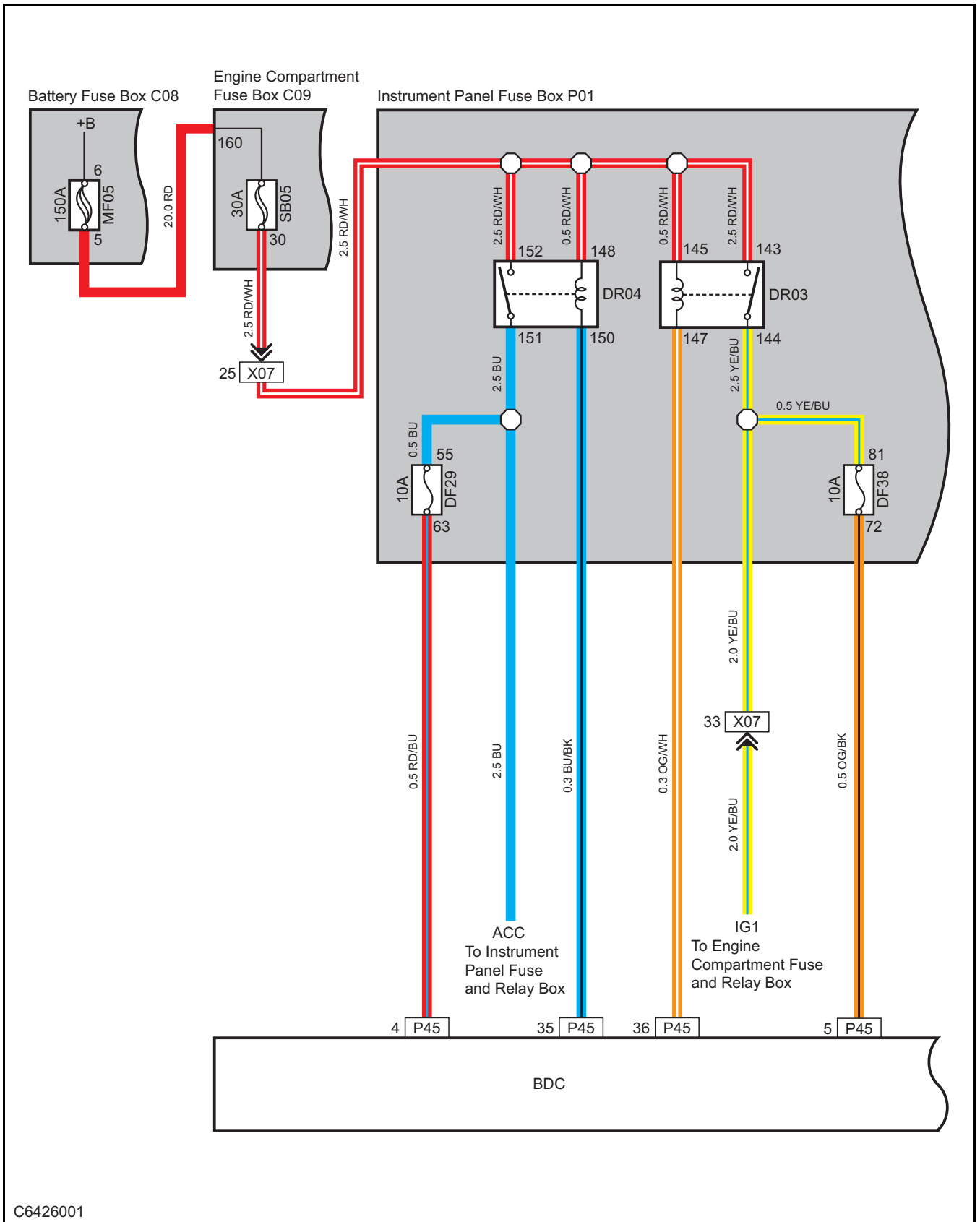


Keyless Entry Control System



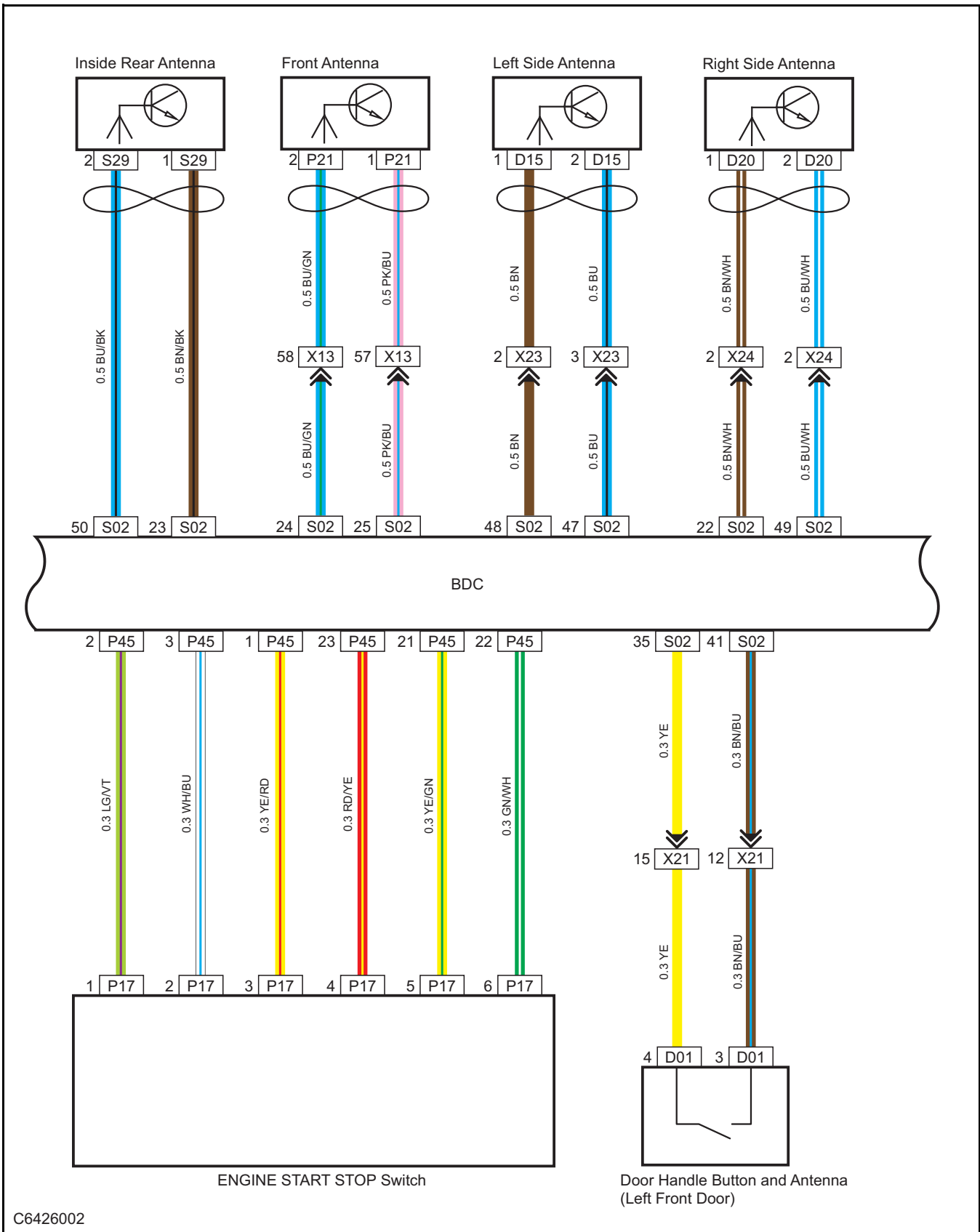
C6426004

Power Supply

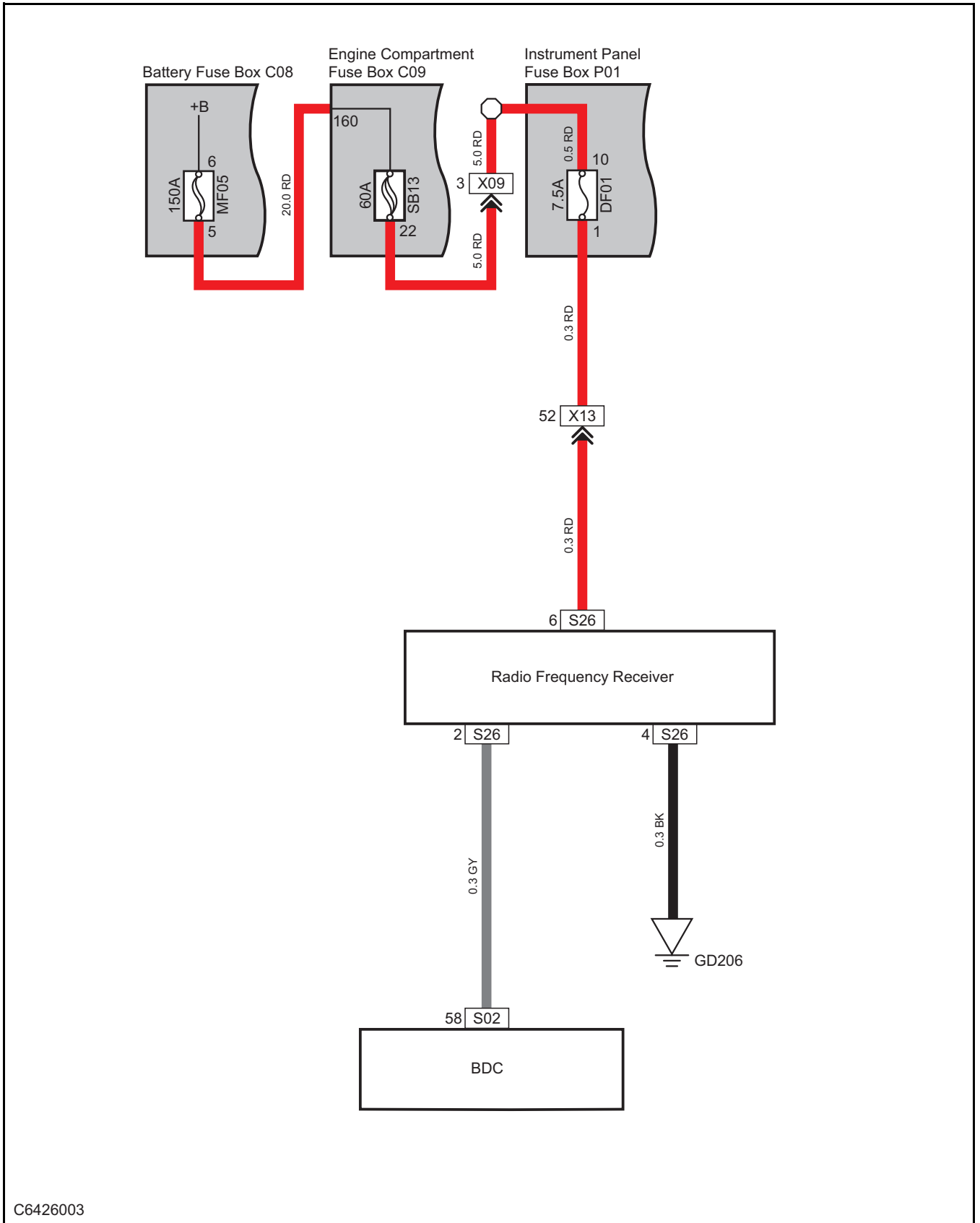


C6426001

Antenna/ENGINE START STOP Switch/Concealed Door Handle

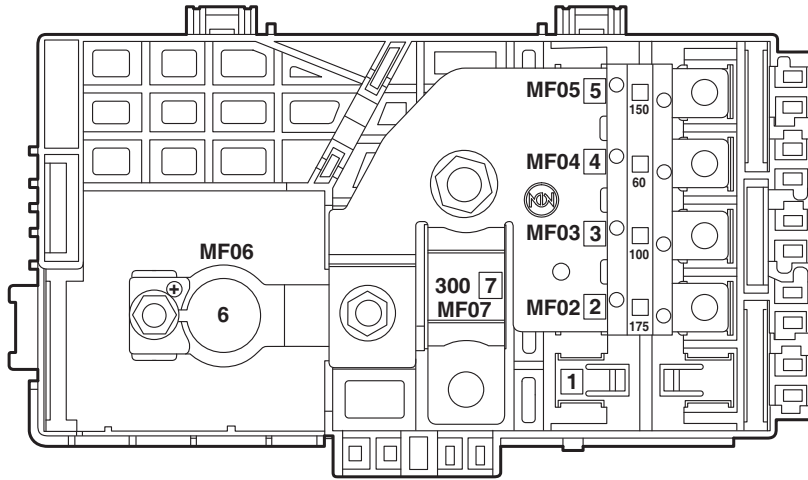


Radio Frequency Sensor



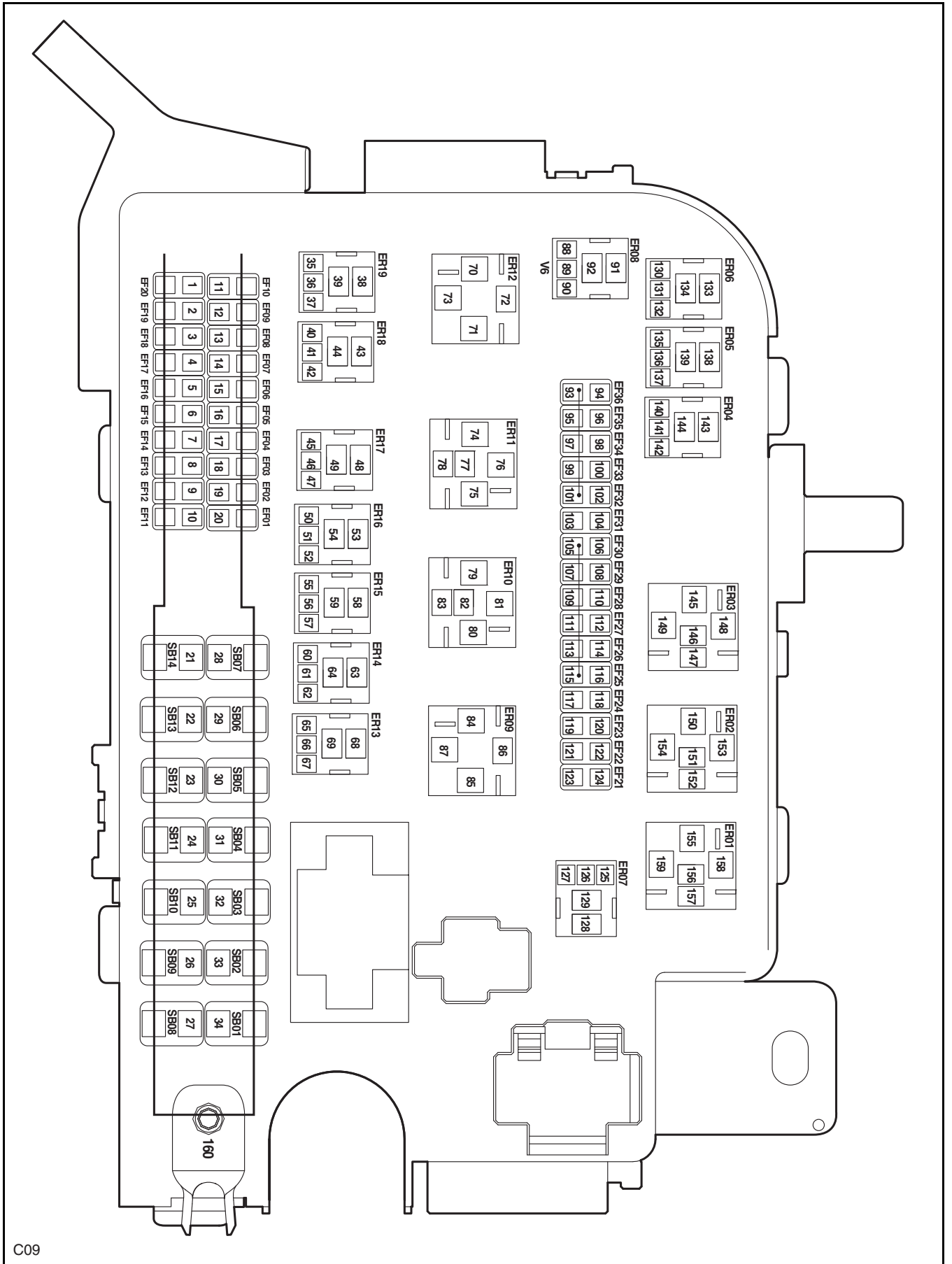
C6426003

Battery Fuse Box



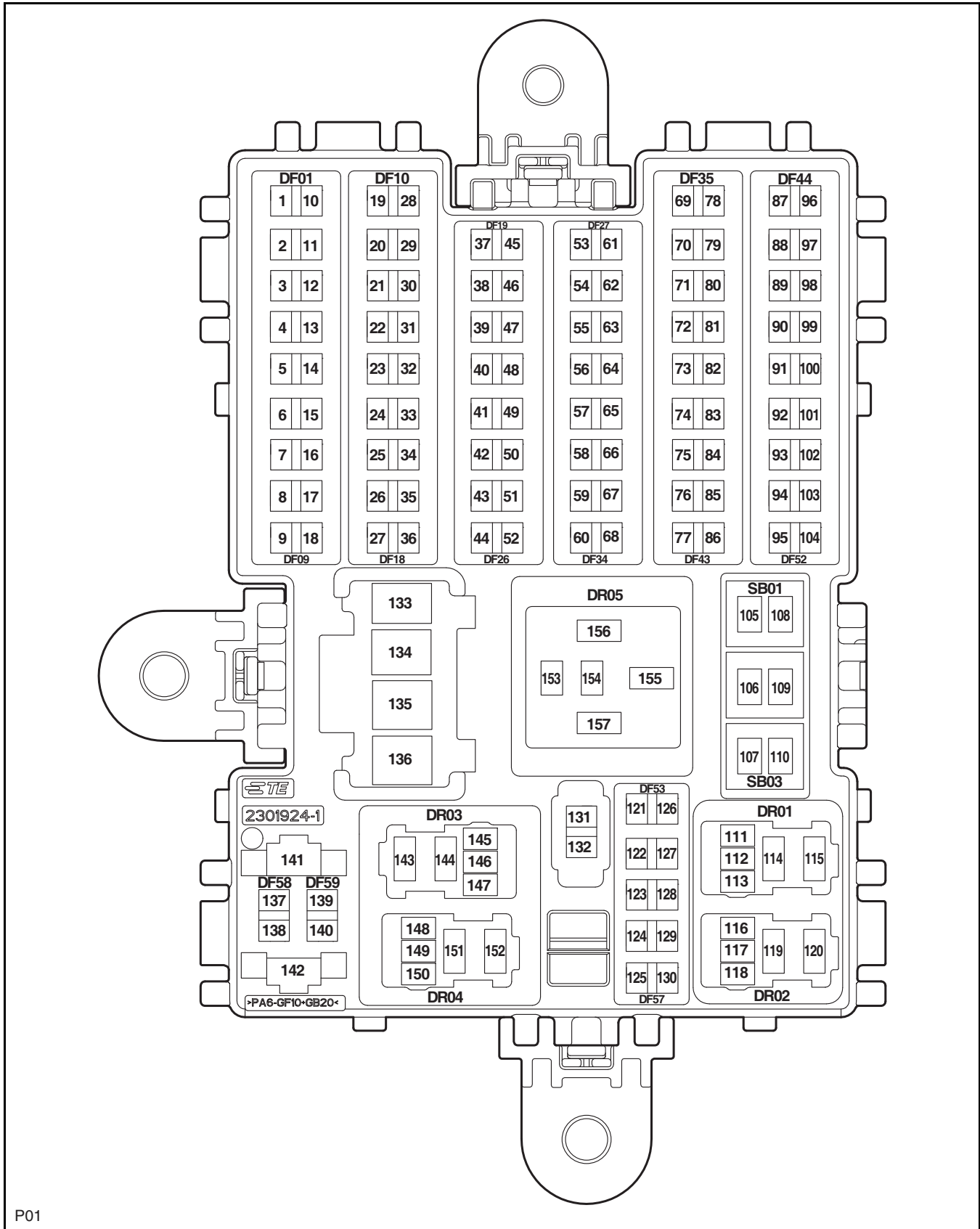
C08

Engine Compartment Fuse Box



C09

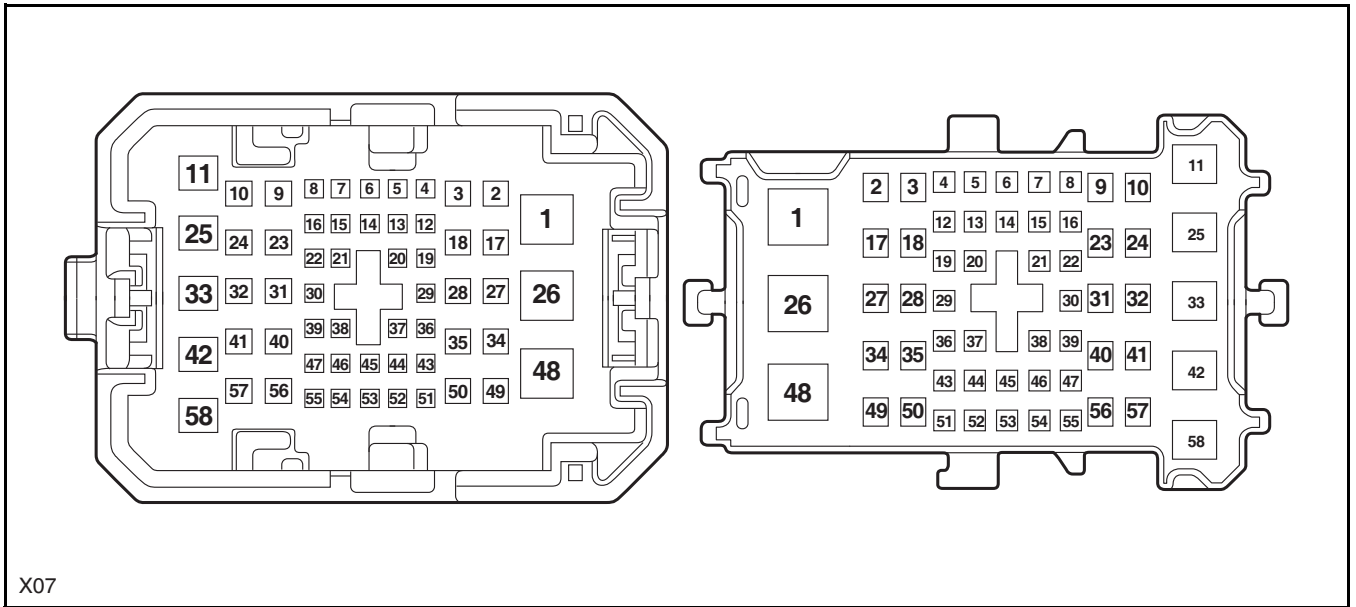
Instrument Panel Fuse Box



P01

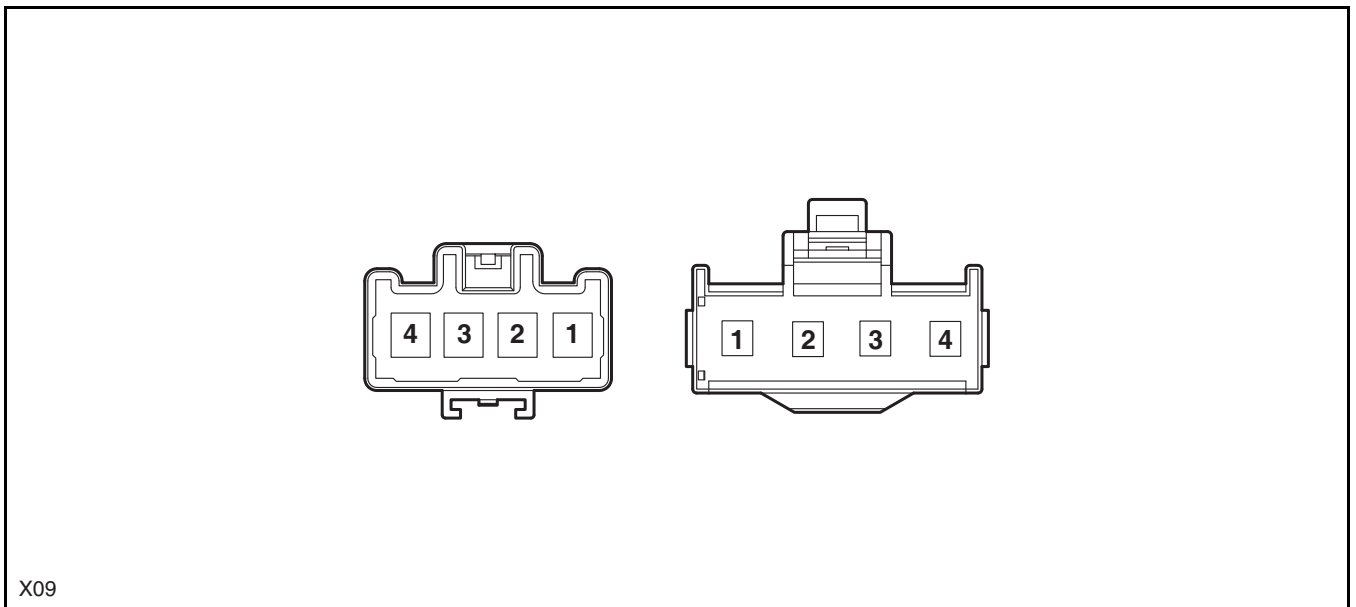
Engine Compartment Wiring Harness to Instrument Panel Wiring Harness (Left 1)

Instrument Panel Wiring Harness (Left 1) to Engine Compartment Wiring Harness



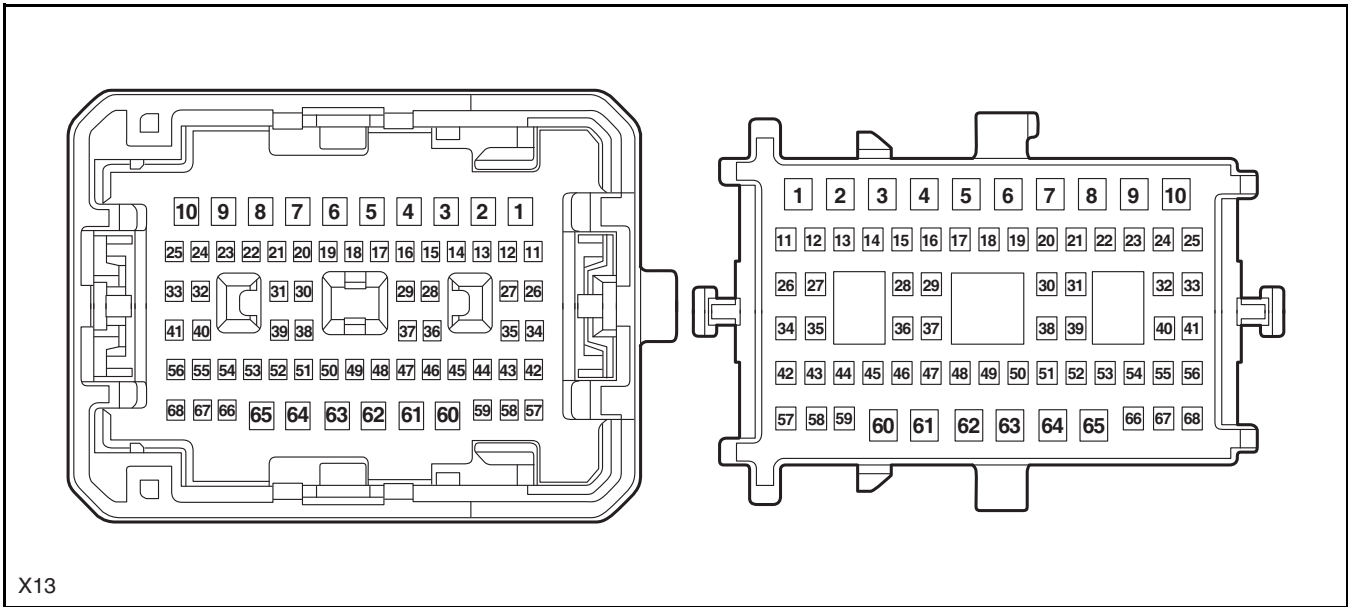
Engine Compartment Wiring Harness to Instrument Panel Wiring Harness (Left 3)

Instrument Panel Wiring Harness (Left 3) to Engine Compartment Wiring Harness



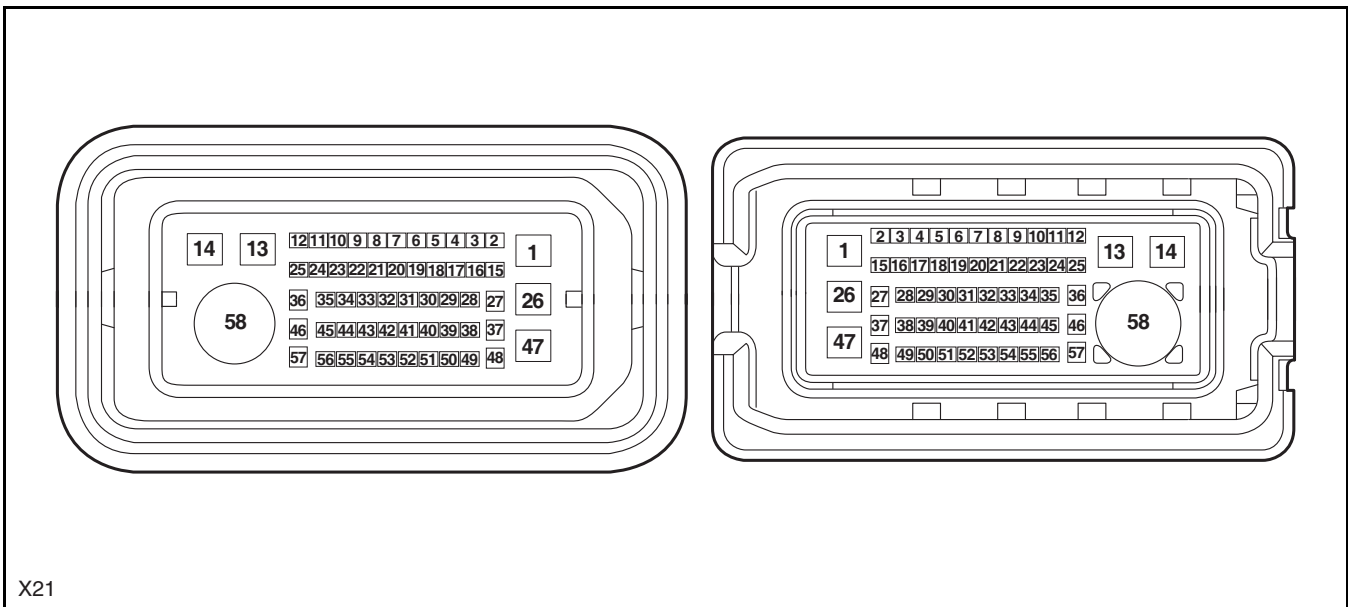
Chassis Wiring Harness to Instrument Panel Wiring Harness (Left 1)

Instrument Panel Wiring Harness (Left 1) to Chassis Wiring Harness



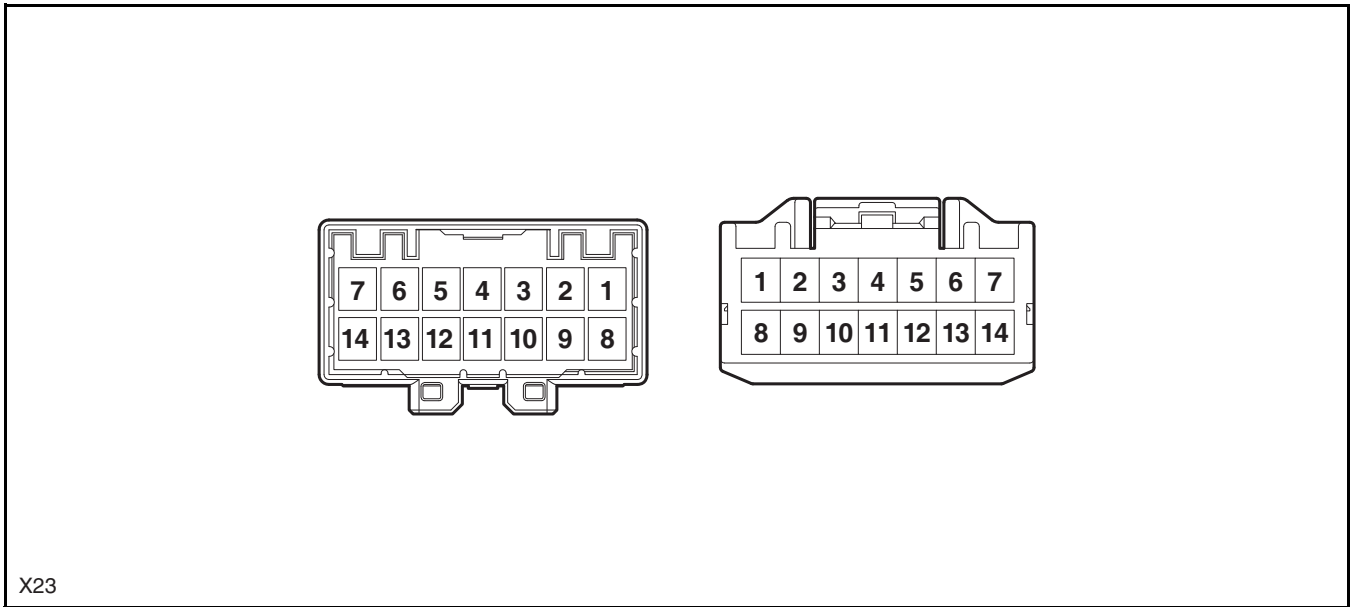
Chassis Wiring Harness to Left Front Door Wiring Harness

Left Front Door Wiring Harness to Chassis Wiring Harness



Chassis Wiring Harness to Left Rear Door Wiring Harness

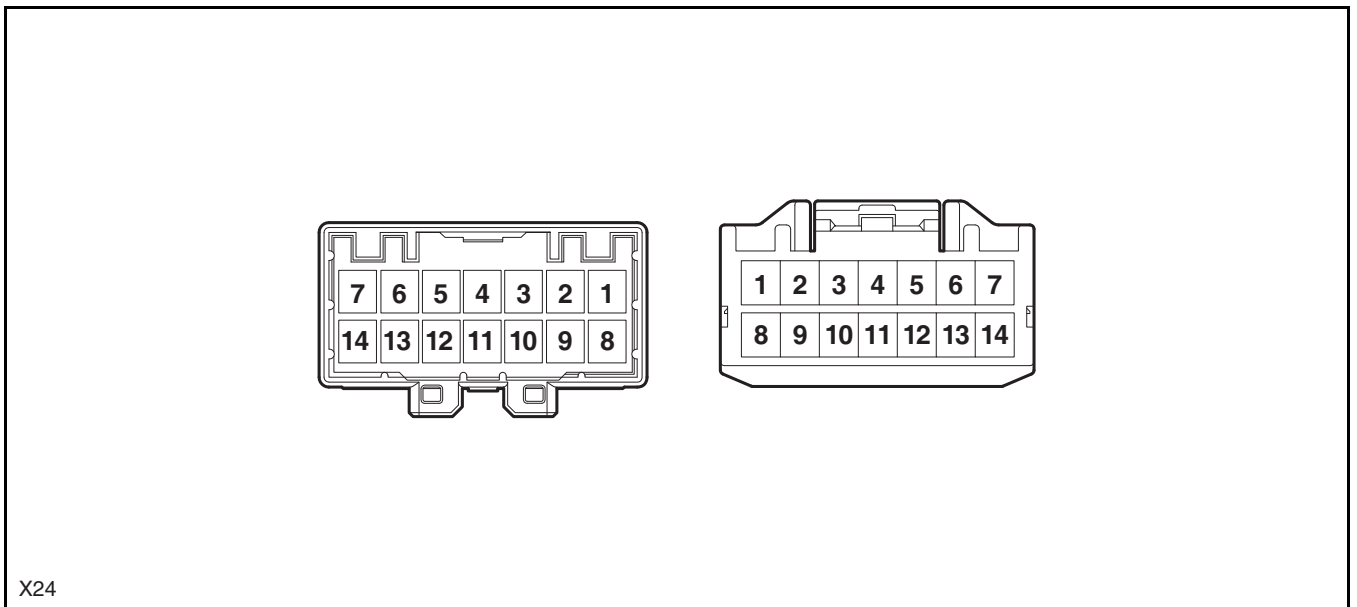
Left Rear Door Wiring Harness to Chassis Wiring Harness



X23

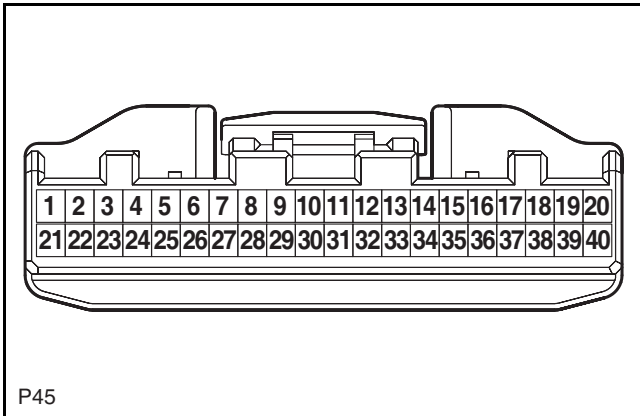
Chassis Wiring Harness to Right Rear Door Wiring Harness

Right Rear Door Wiring Harness to Chassis Wiring Harness



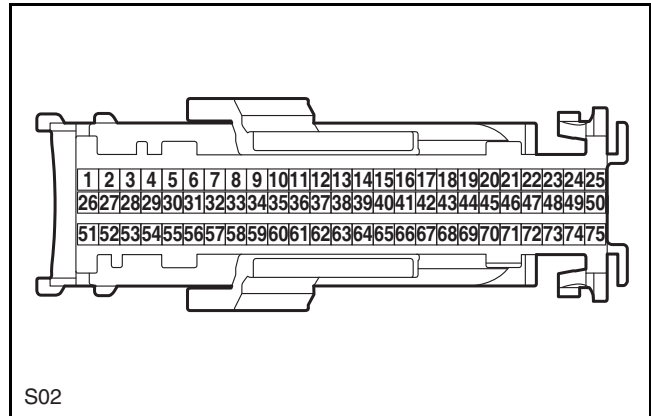
X24

BDC-J2

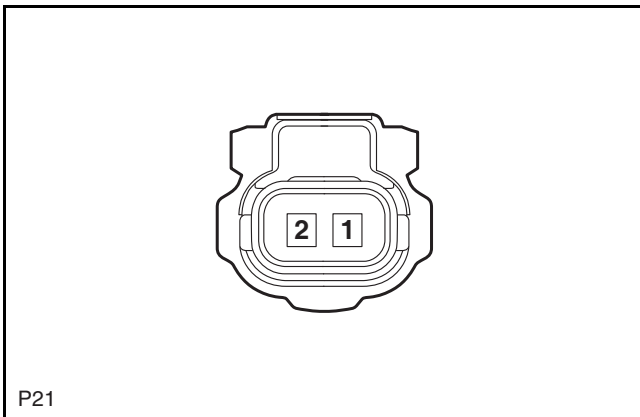


Front Antenna

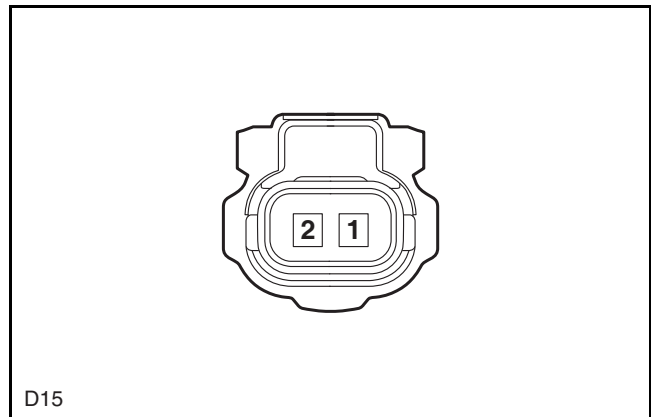
BDC-J3 (Chassis)



Left Side Antenna

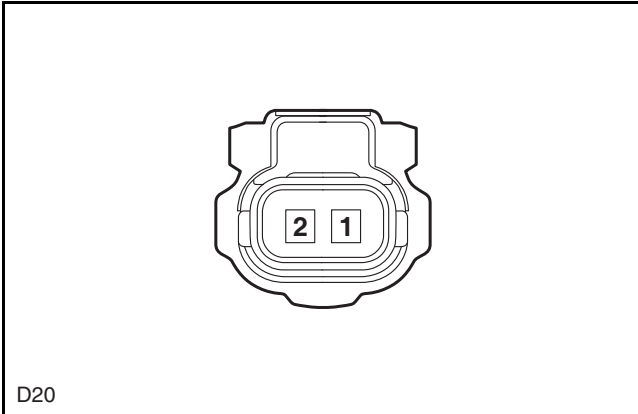


P21

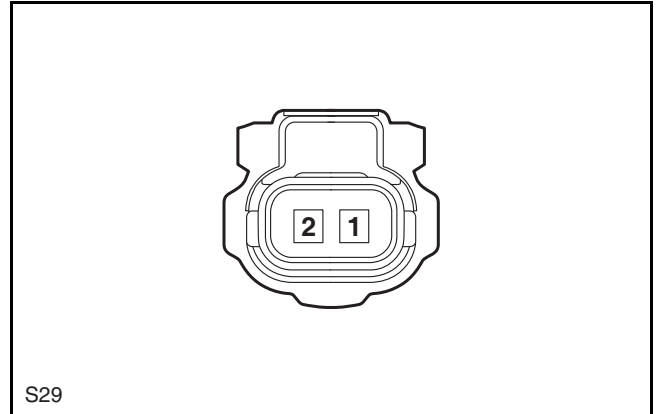


D15

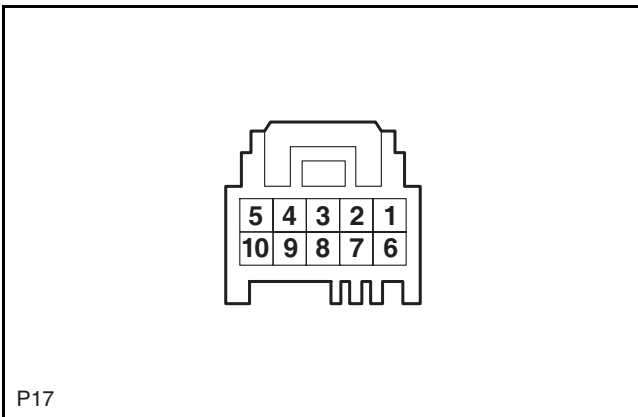
Right Side Antenna



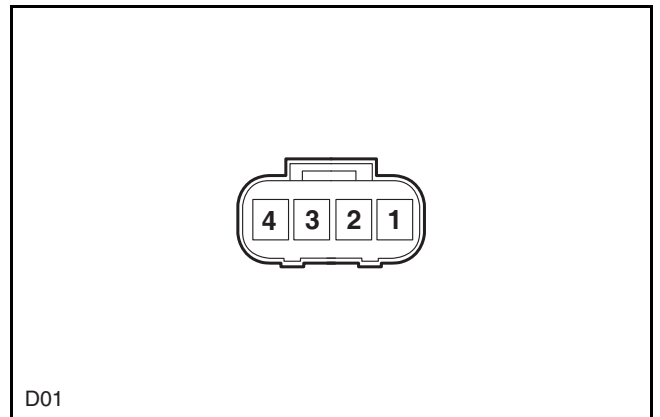
Inside Rear Antenna



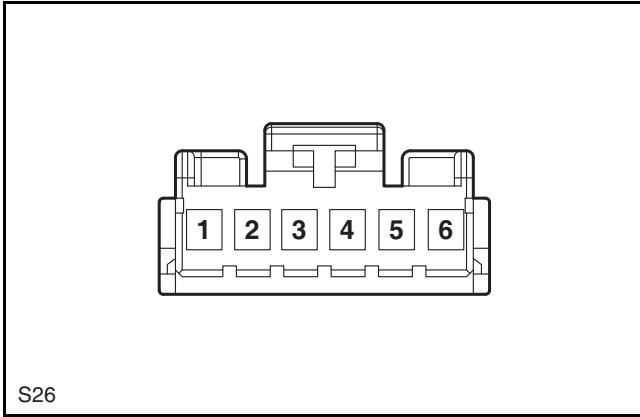
ENGINE START STOP Switch



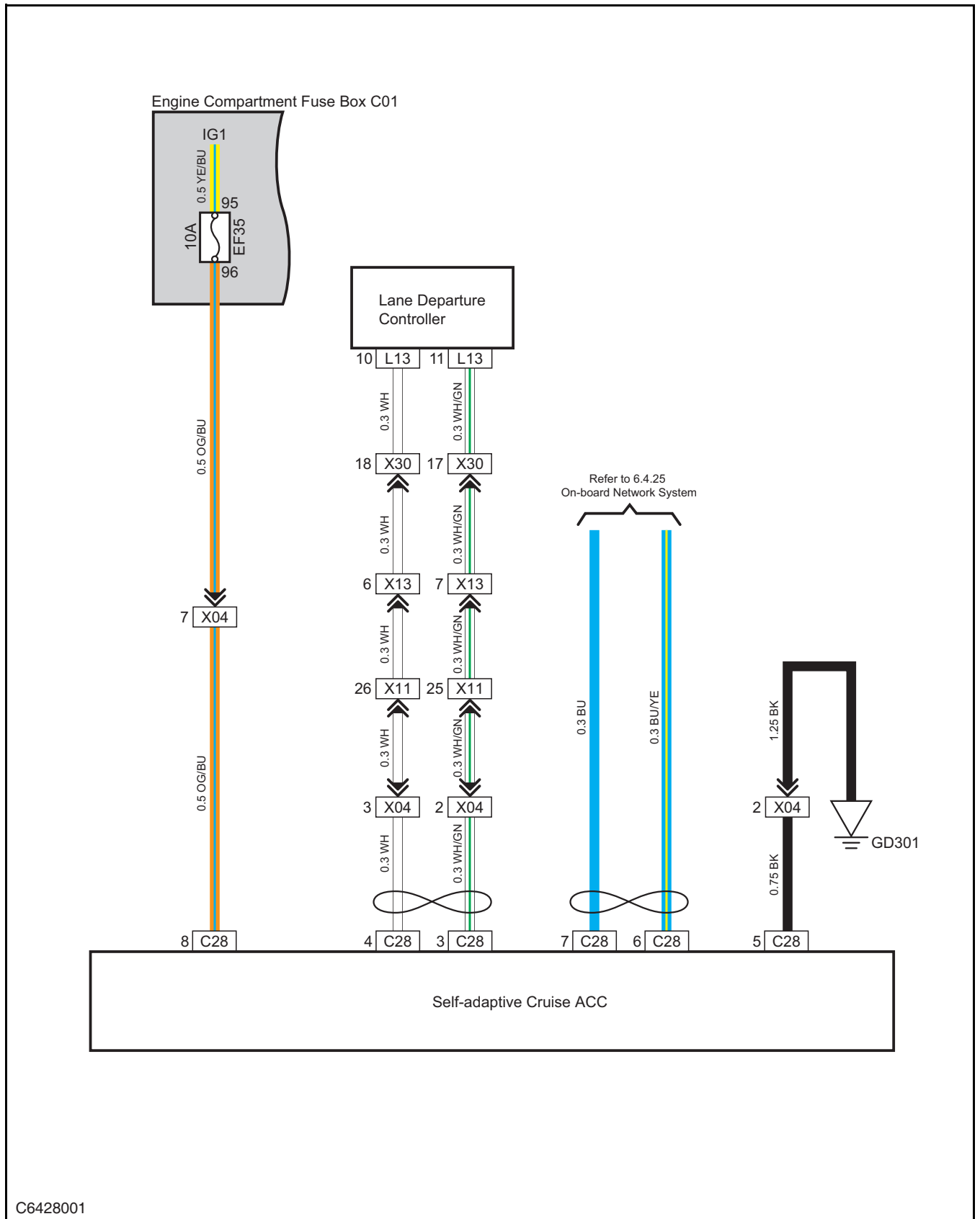
Door Handle Button and Antenna (Left Front Door)



Radio Frequency Receiver

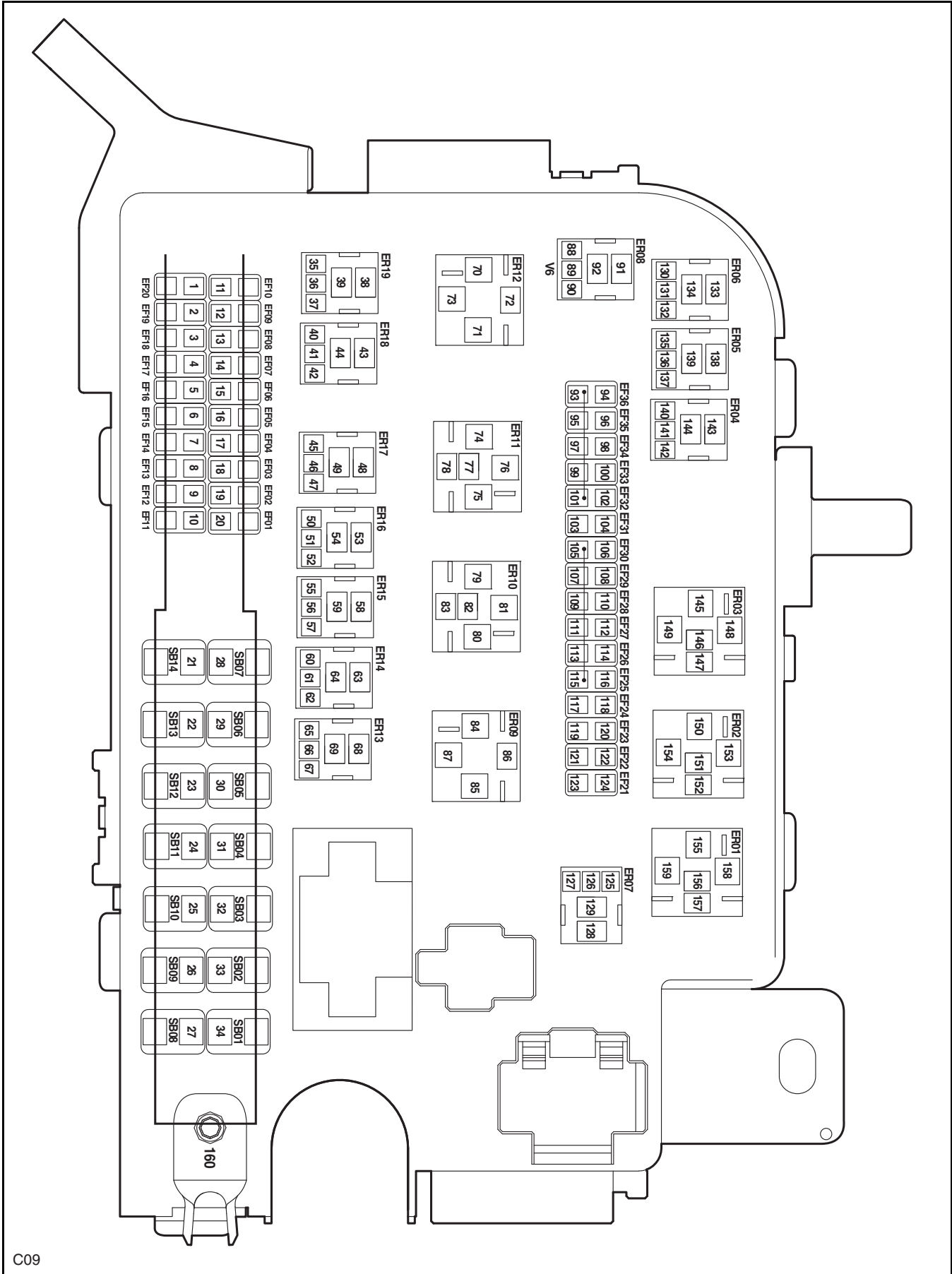


Self-adaptive Cruise System



C6428001

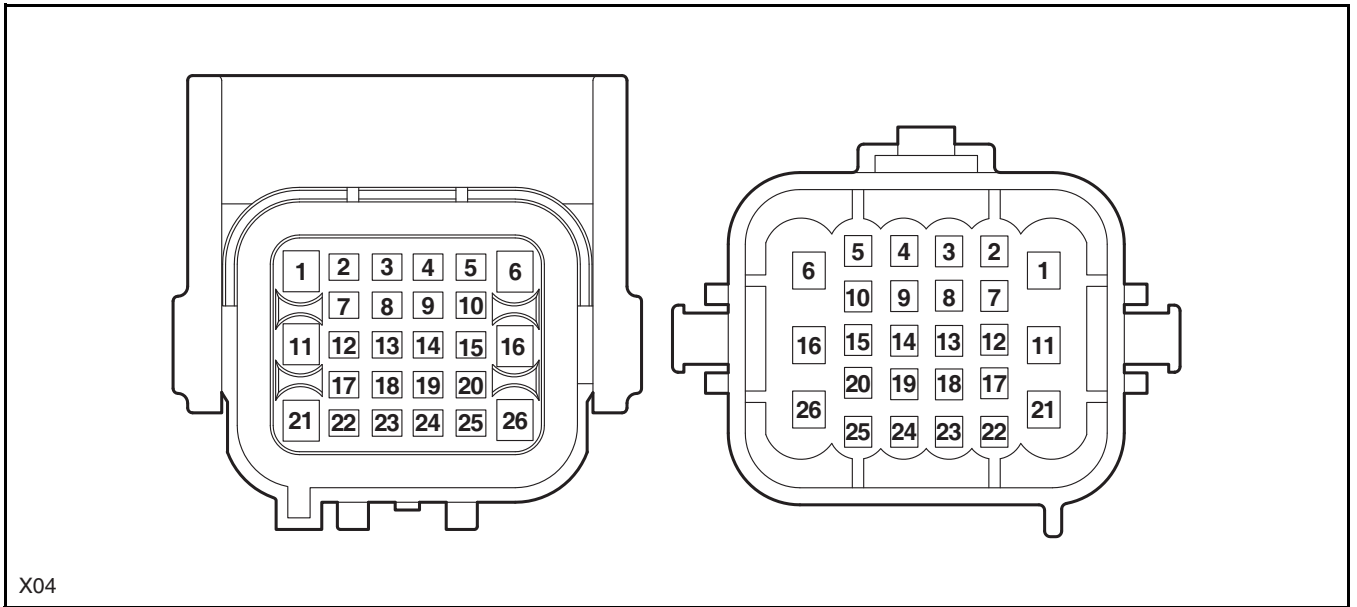
Engine Compartment Fuse Box



C09

Engine Compartment Wiring Harness to Front End Module Wiring Harness

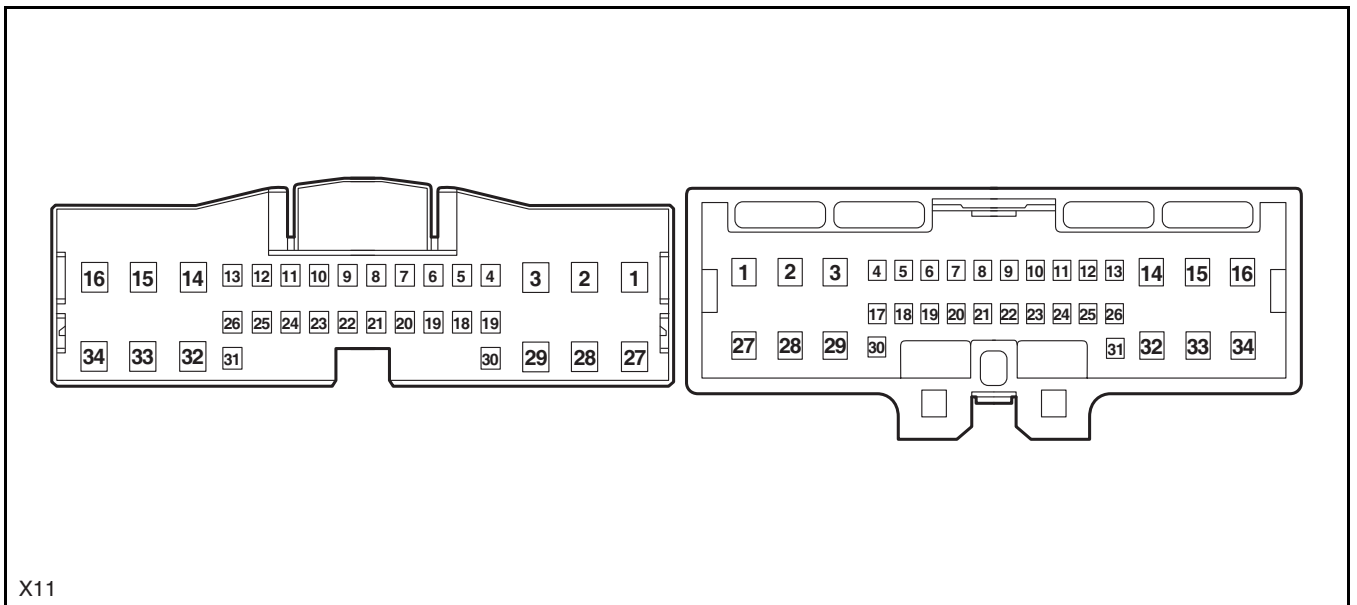
Front End Module Wiring Harness to Engine Compartment Wiring Harness



X04

Engine Compartment Wiring Harness to Chassis Wiring Harness (Left 1)

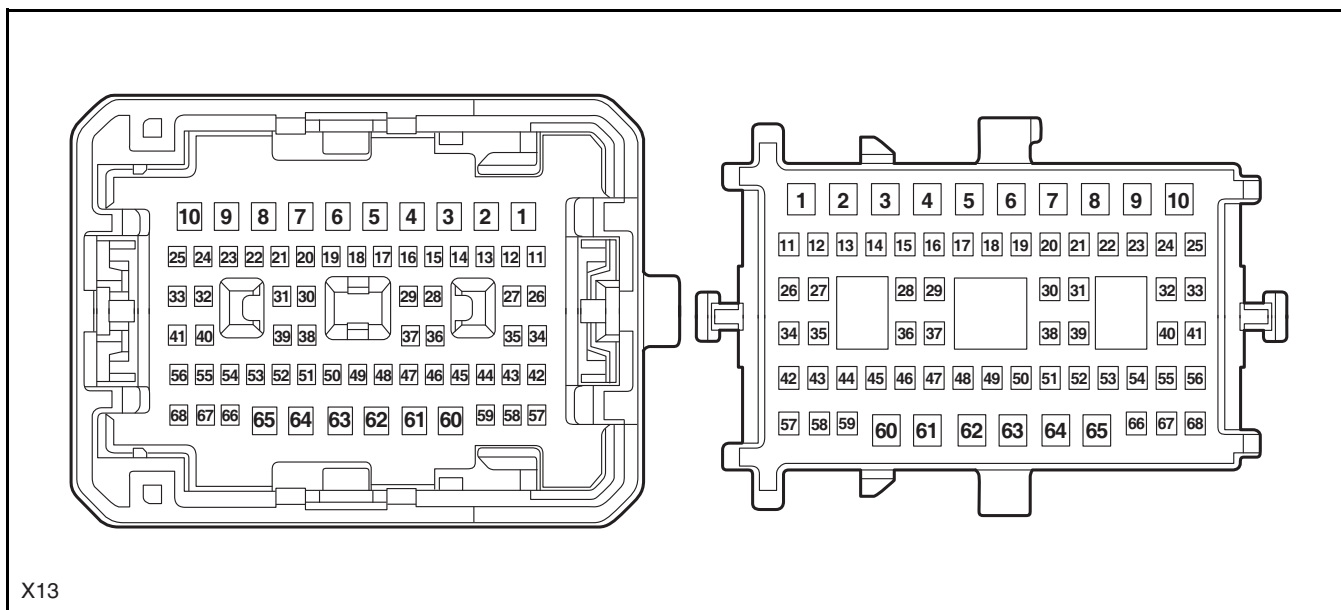
Chassis Wiring Harness (Left 1) to Engine Compartment Wiring Harness



X11

Chassis Wiring Harness to Instrument Panel Wiring Harness (Left 1)

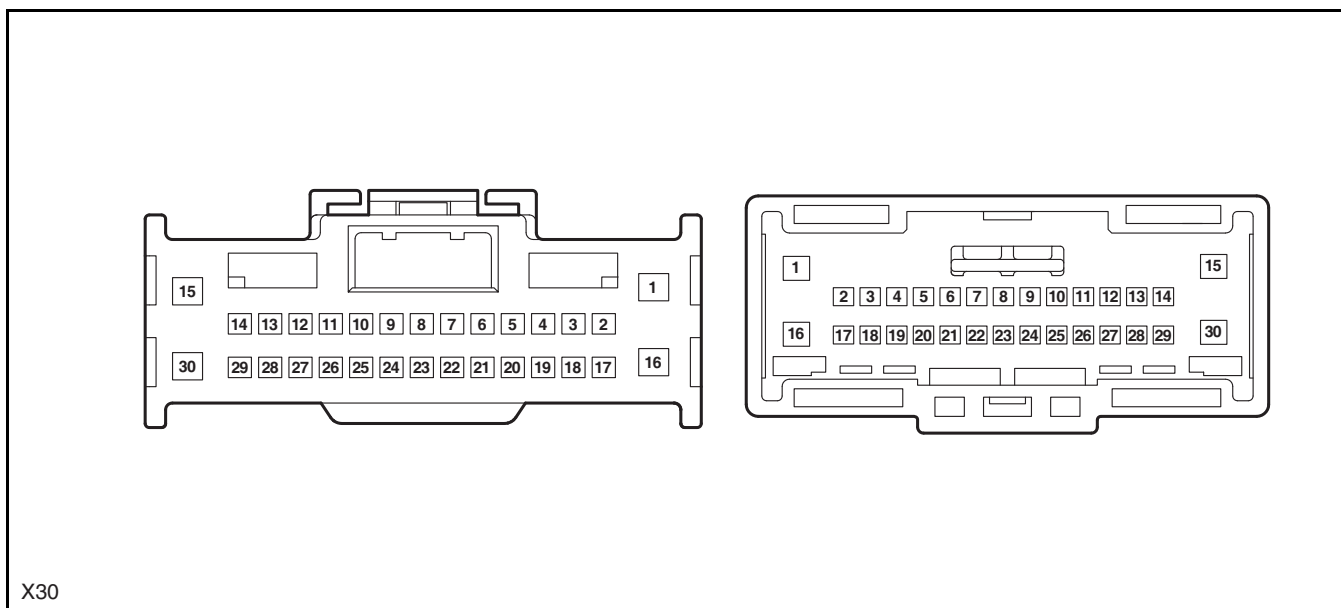
Instrument Panel Wiring Harness (Left 1) to Chassis Wiring Harness



X13

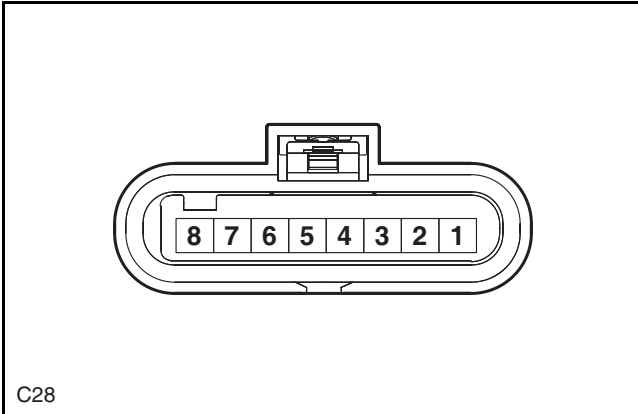
Instrument Panel Wiring Harness to Roof Wiring Harness (Left)

Roof Wiring Harness (Left) to Instrument Panel Wiring Harness

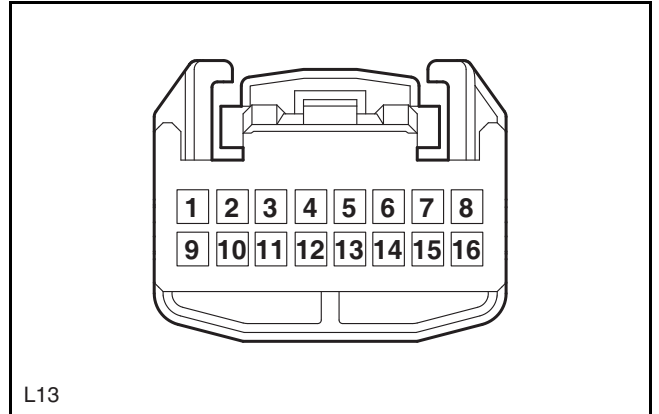


X30

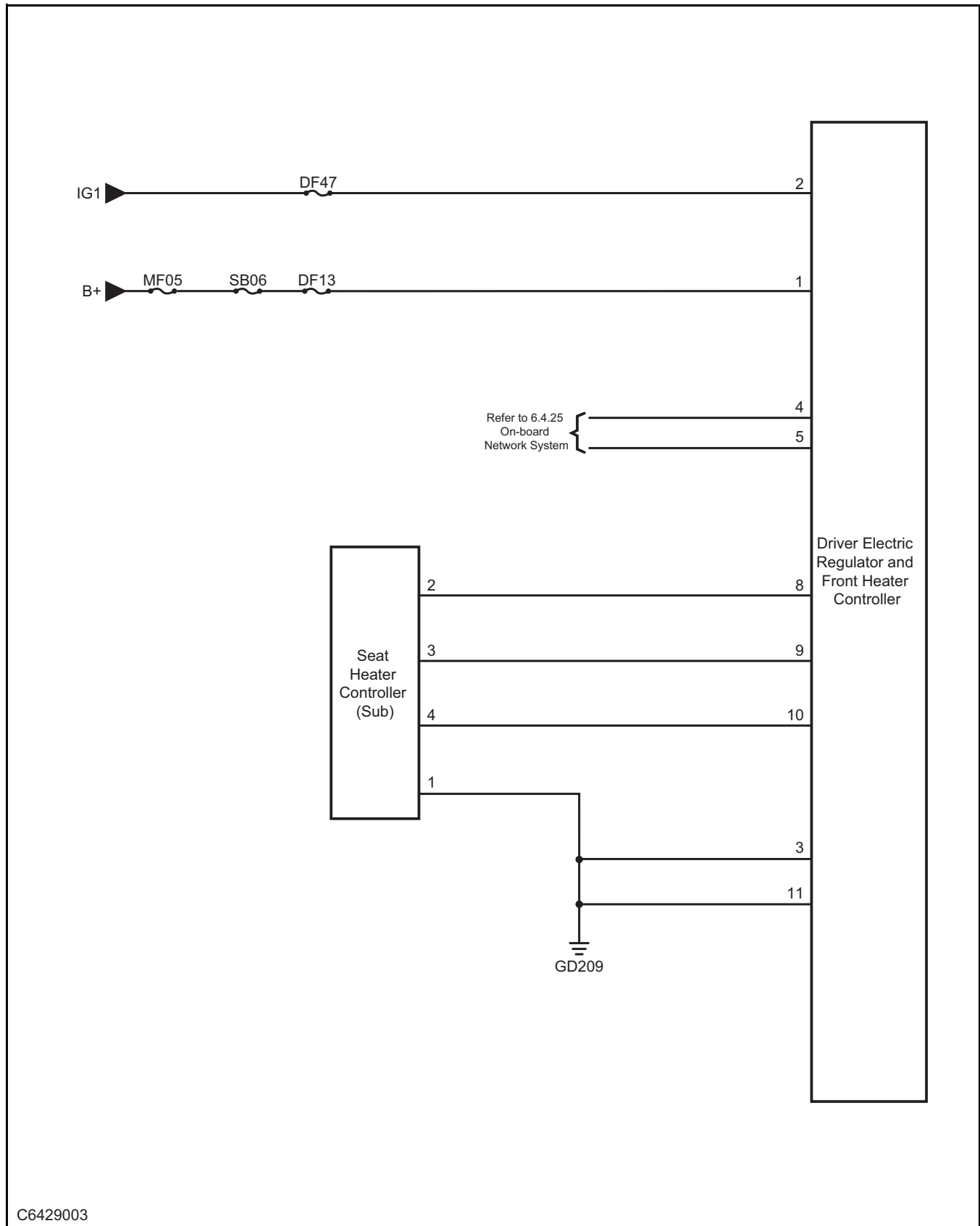
Self-adaptive Cruise Controller ACC



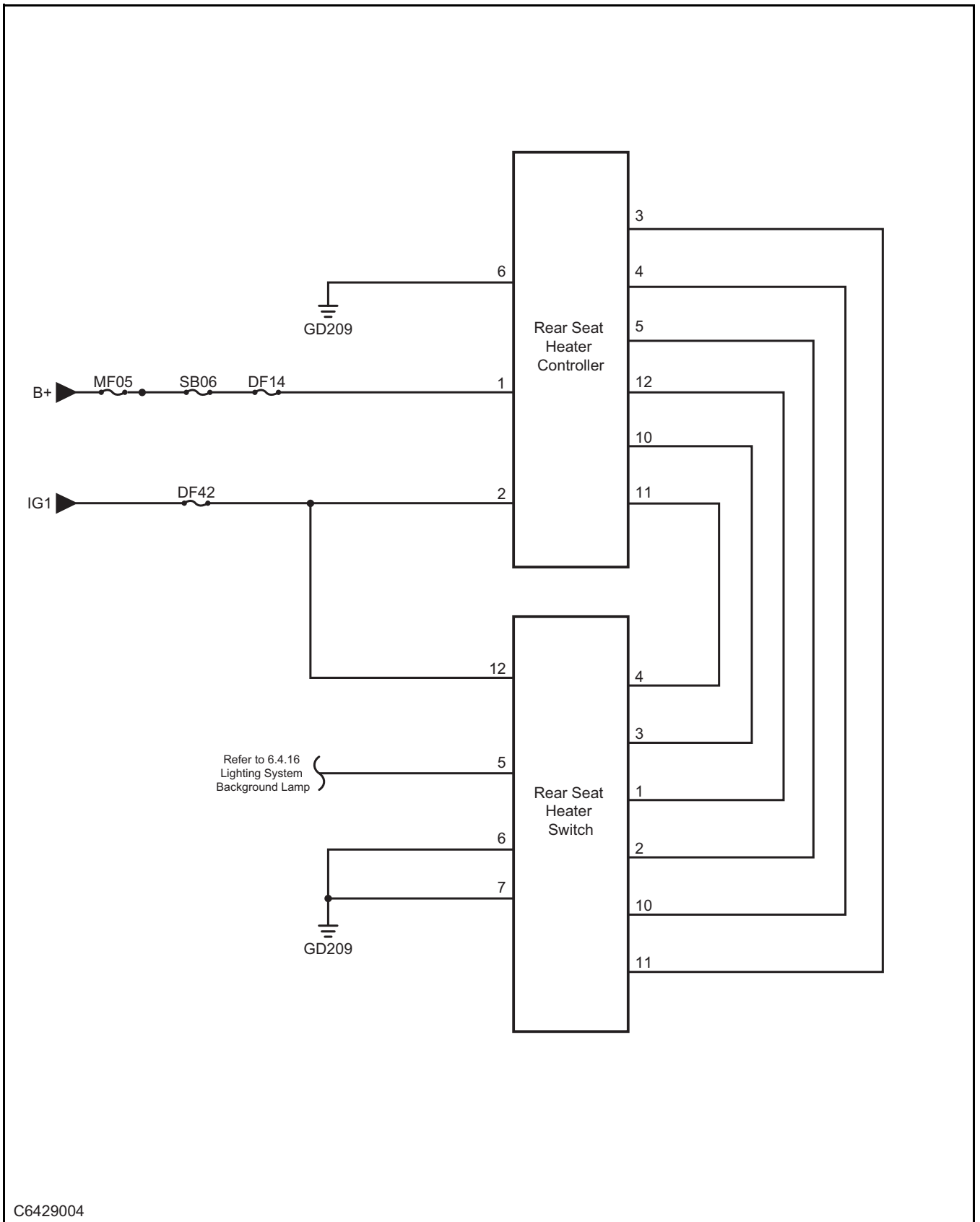
Lane Departure Controller



Seat Heating and Ventilation System (Russia)

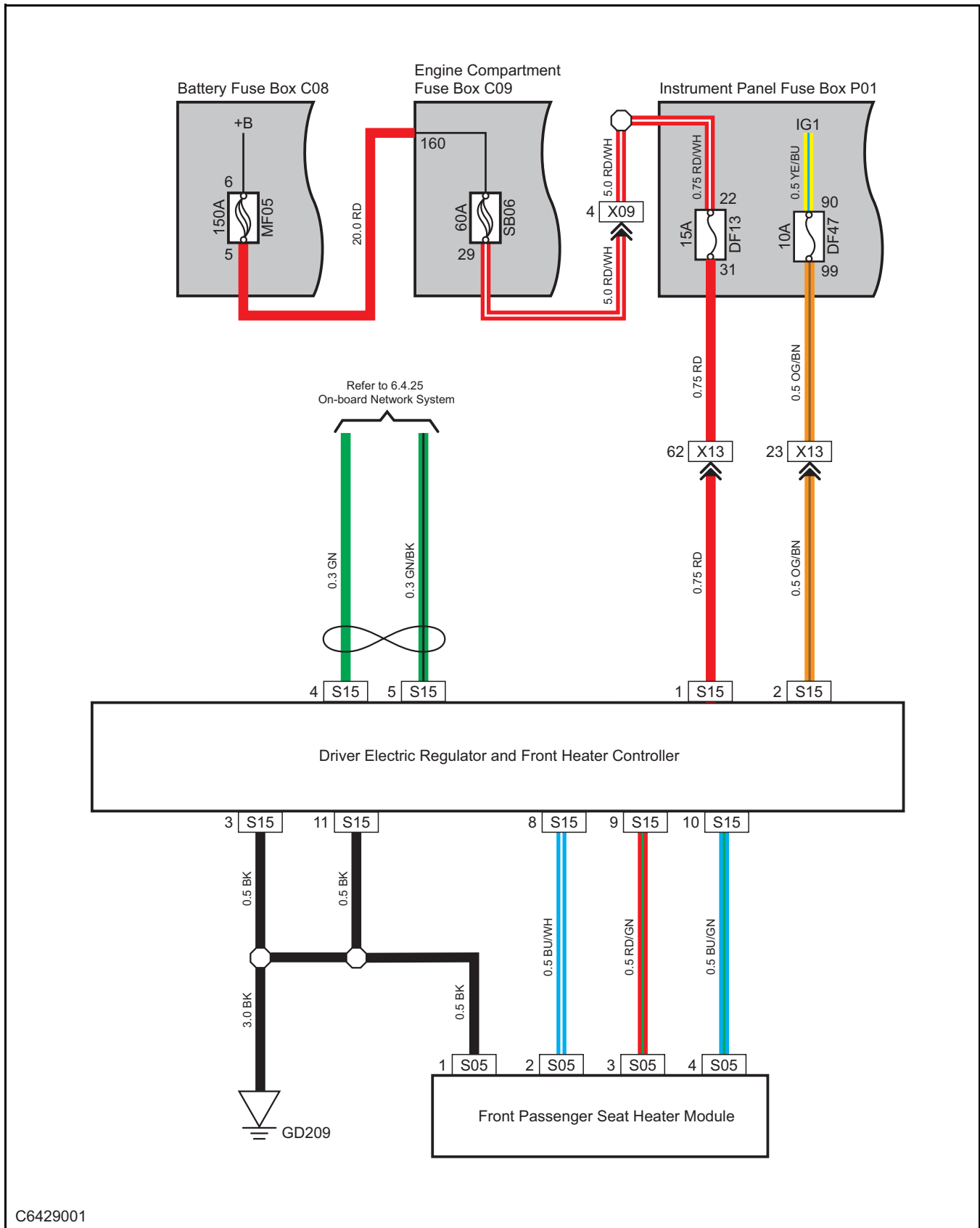


Rear Seat Heating System (Russia LEVEL 3, 4)



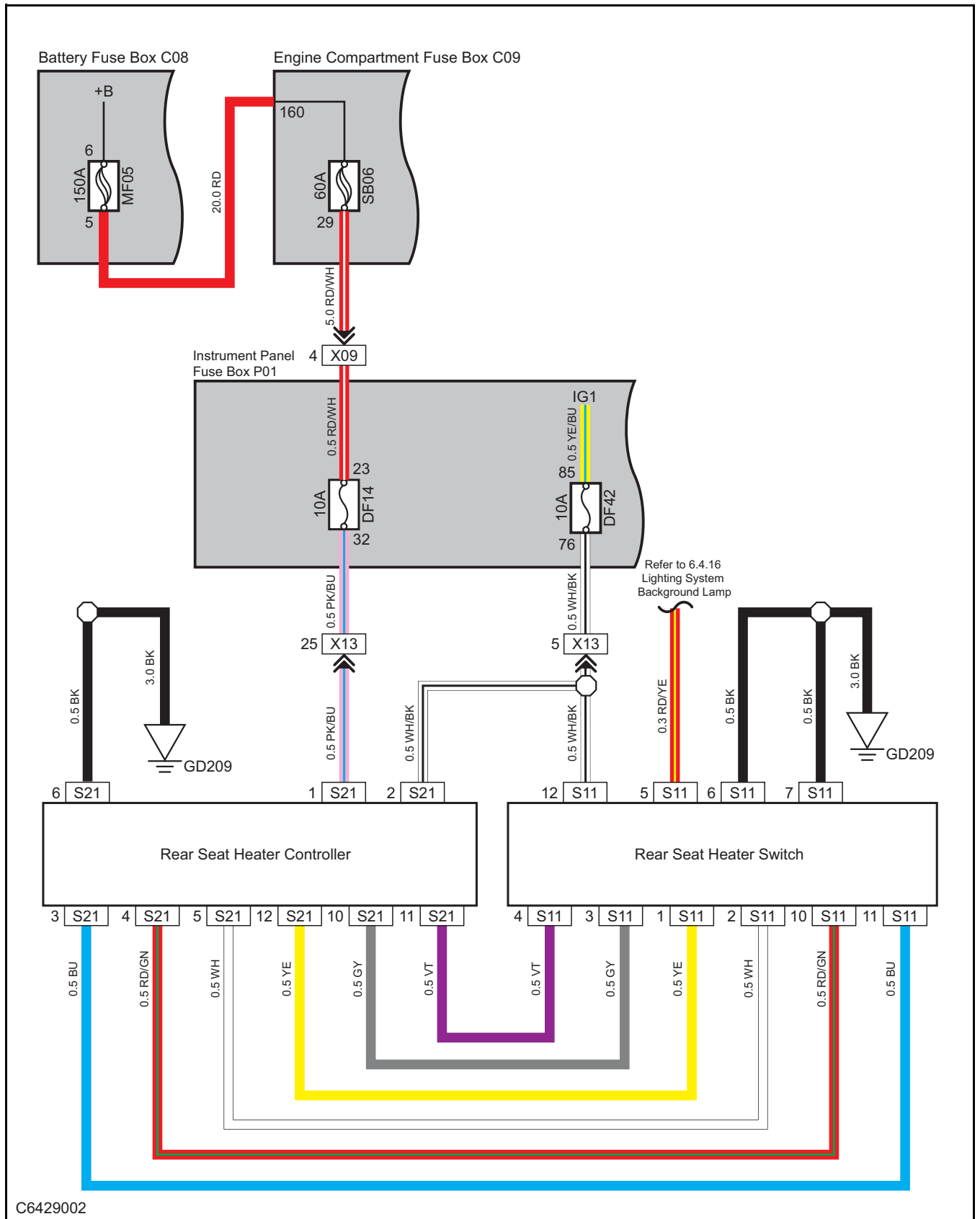
C6429004

Power Supply/Driver Heating Controller/Front Passenger Heating Controller (Only for Russia)

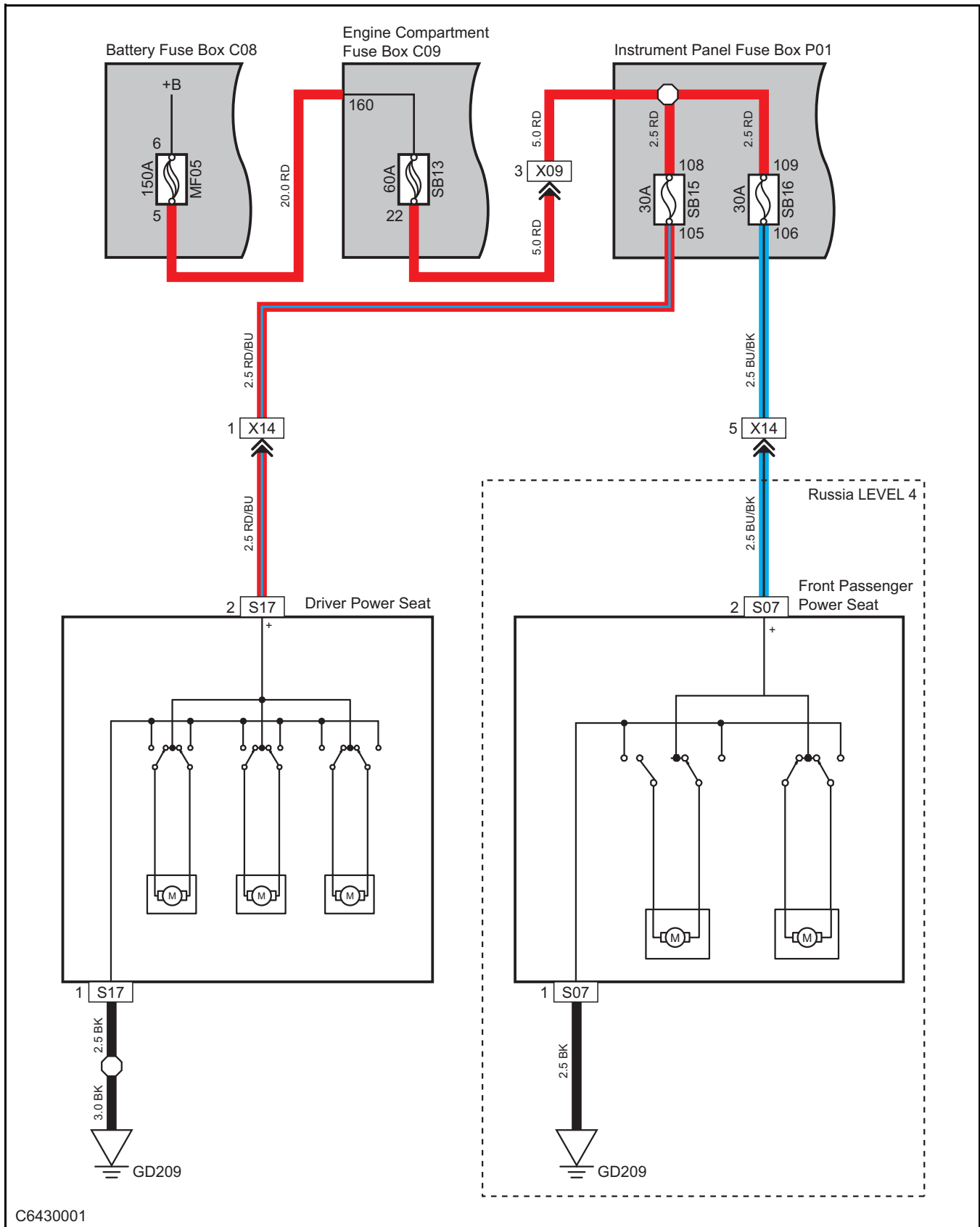


C6429001

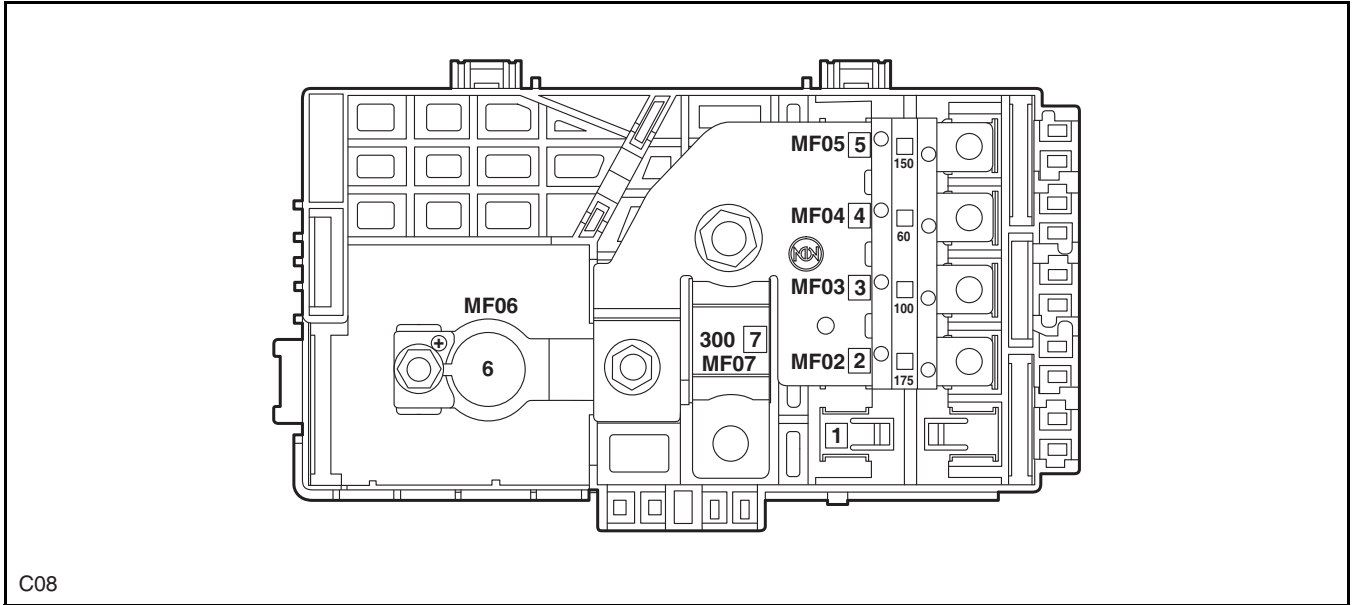
Rear Seat Heating (Russia LEVEL 3, 4)



Seat Adjustment System

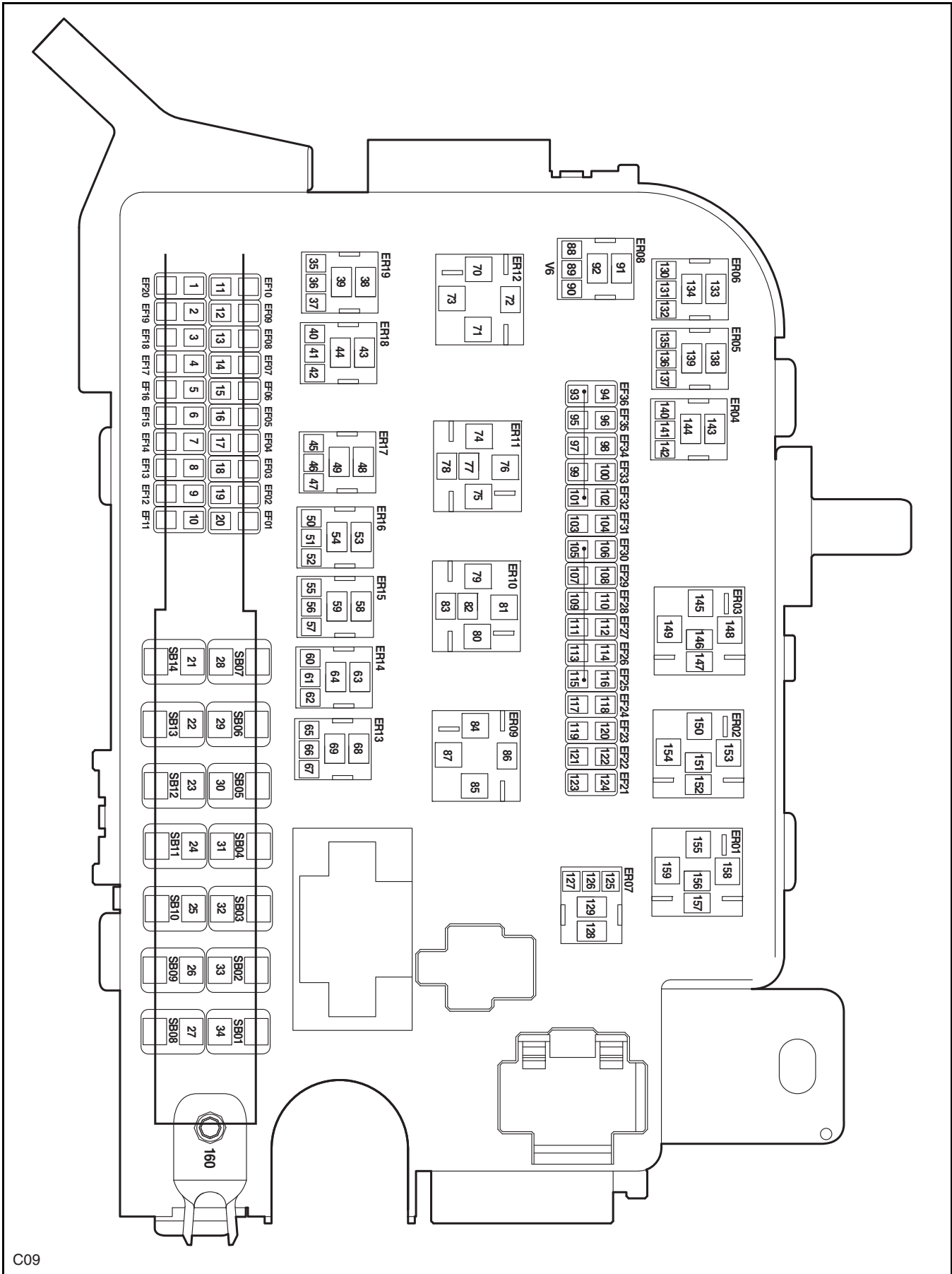


Battery Fuse Box



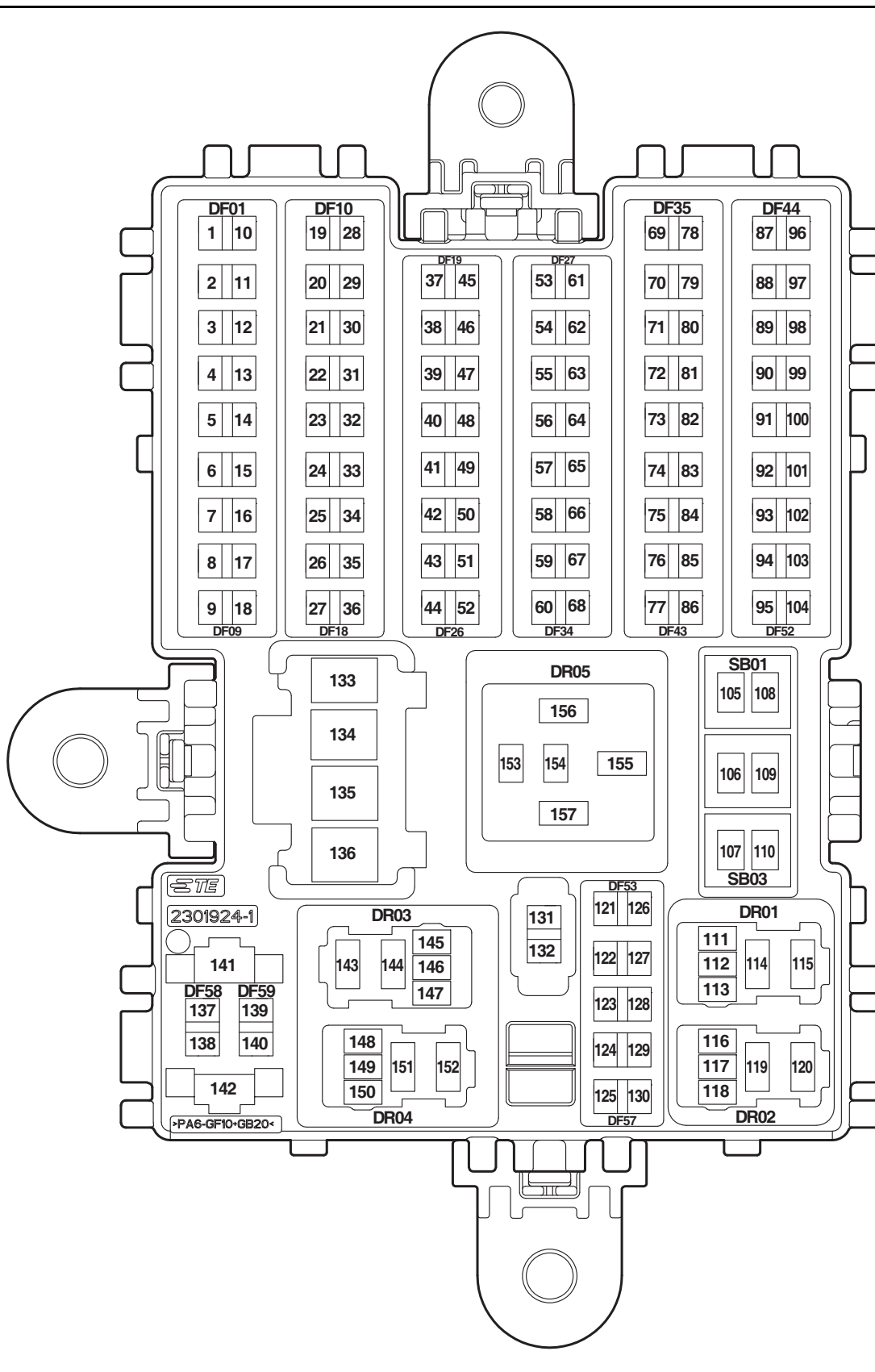
C08

Engine Compartment Fuse Box



C09

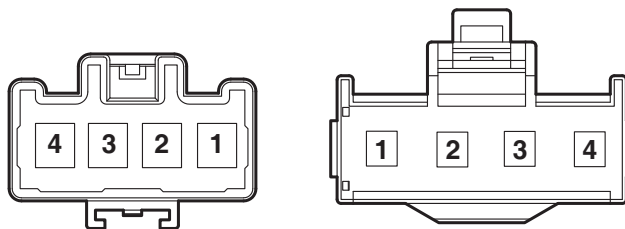
Instrument Panel Fuse Box



P01

Engine Compartment Wiring Harness to Instrument Panel Wiring Harness (Left 3)

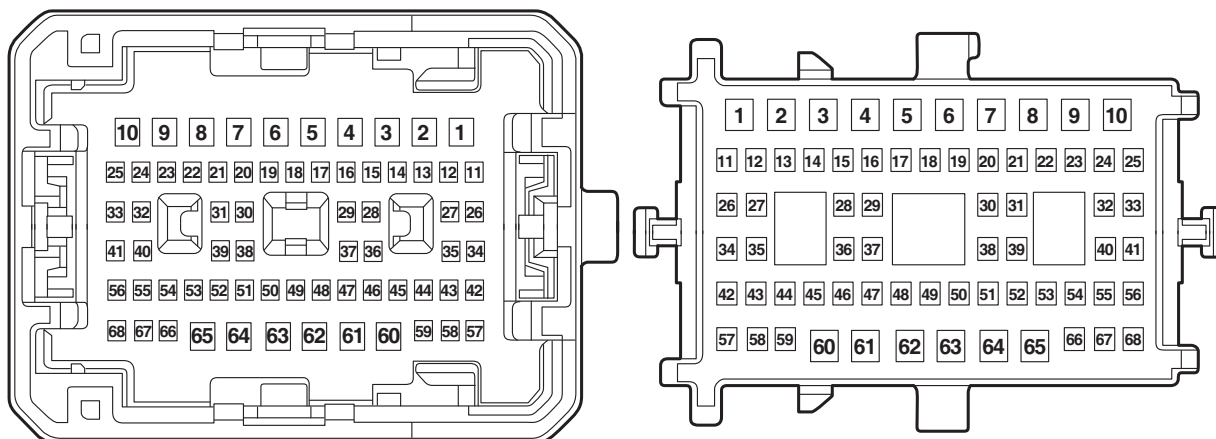
Instrument Panel Wiring Harness (Left 3) to Engine Compartment Wiring Harness



X09

Chassis Wiring Harness to Instrument Panel Wiring Harness (Left 1)

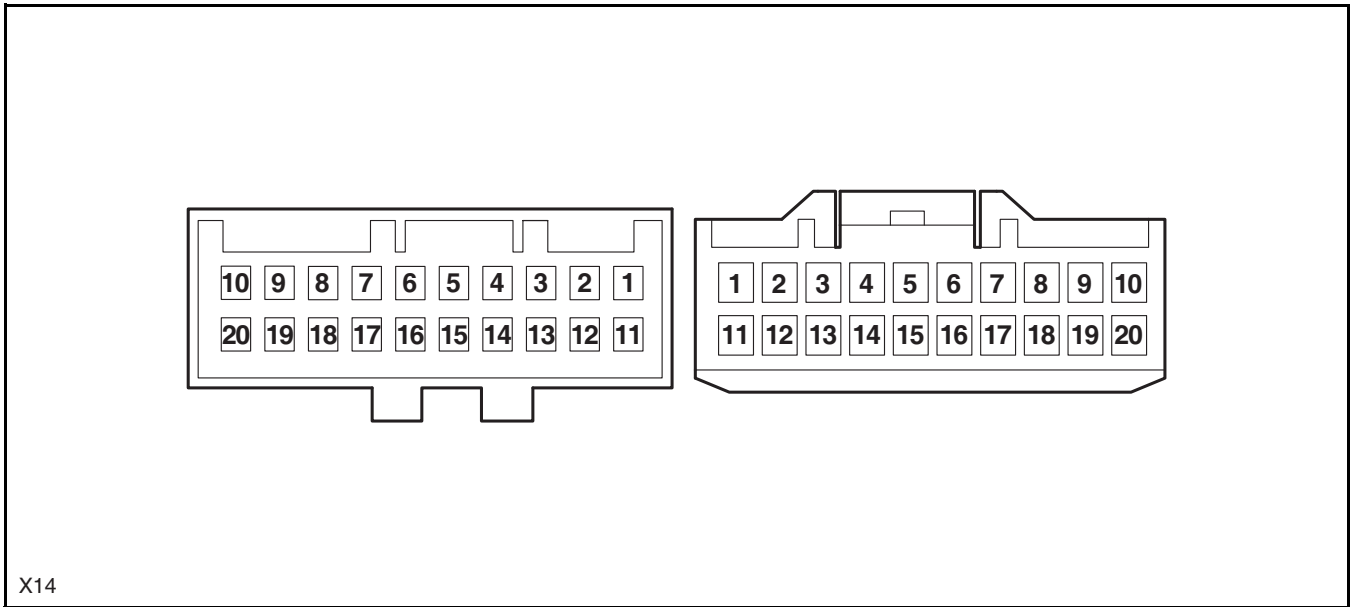
Instrument Panel Wiring Harness (Left 1) to Chassis Wiring Harness



X13

Chassis Wiring Harness to Instrument Panel Wiring Harness (Middle 1)

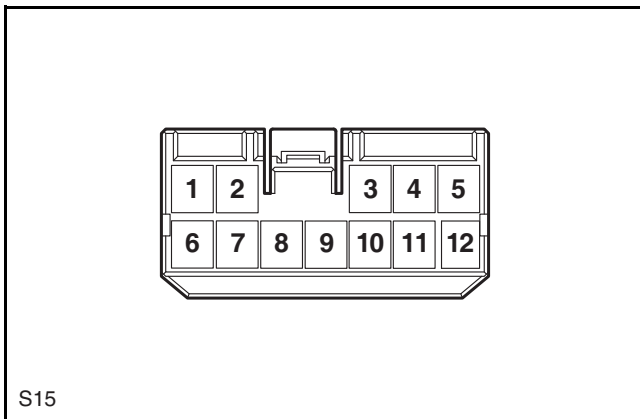
Instrument Panel Wiring Harness (Middle 1) to Chassis Wiring Harness



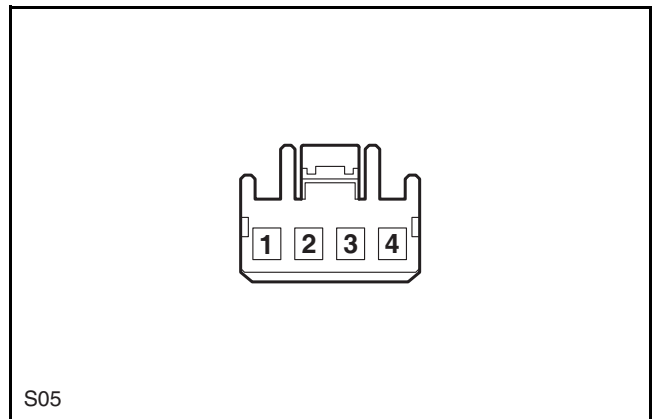
X14

Driver Electric Regulator and Front Heater Controller

Front Passenger Seat Heater Module

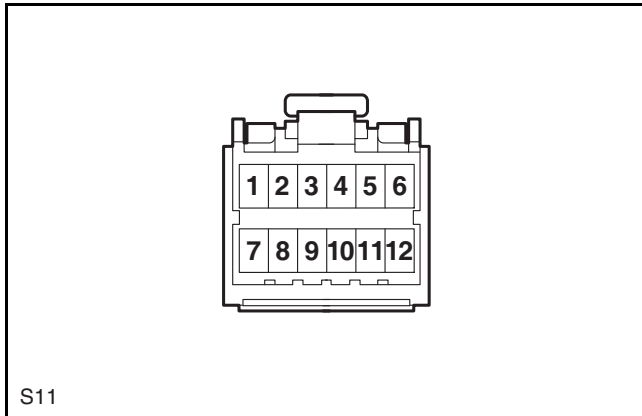


S15

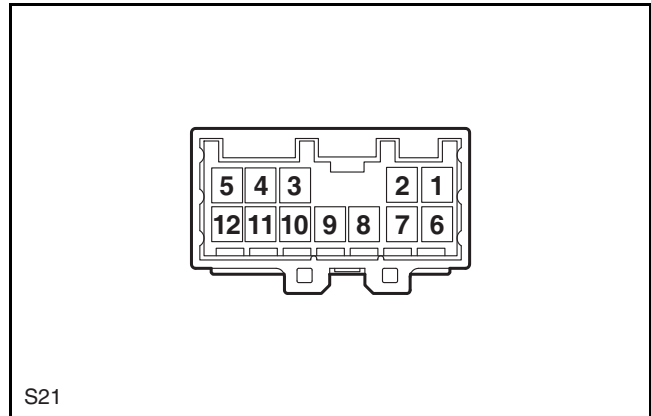


S05

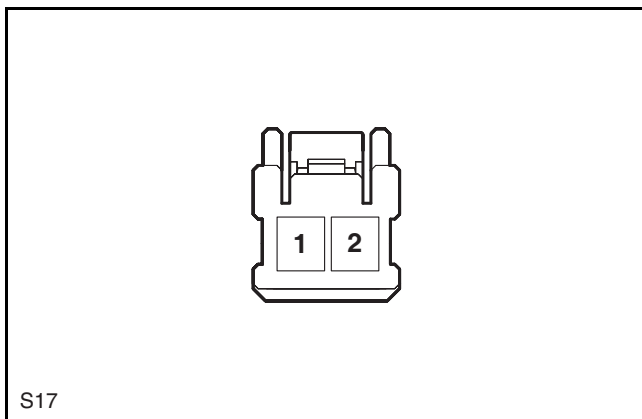
Rear Seat Heater Switch



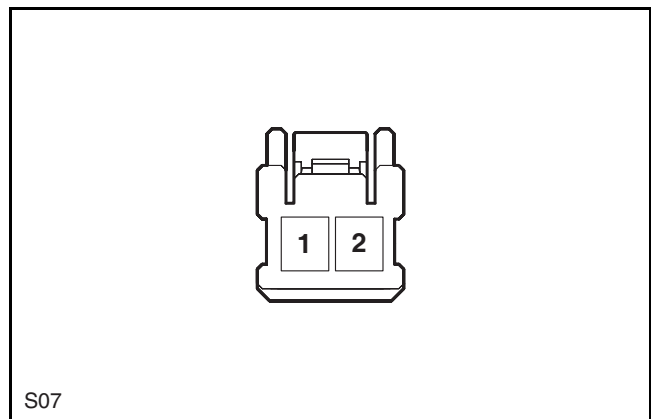
Rear Seat Heater Controller



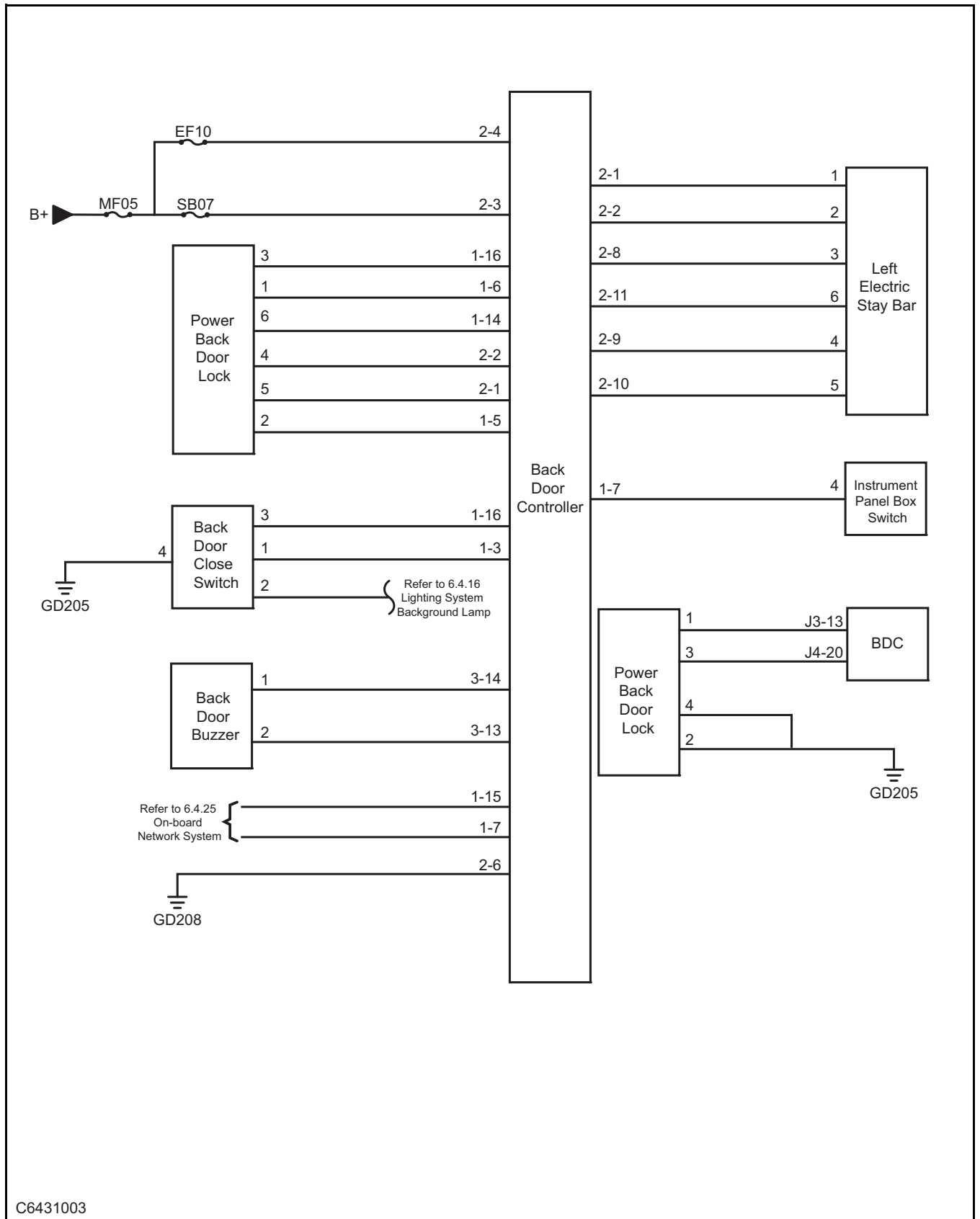
Driver Power Seat



Front Passenger Power Seat

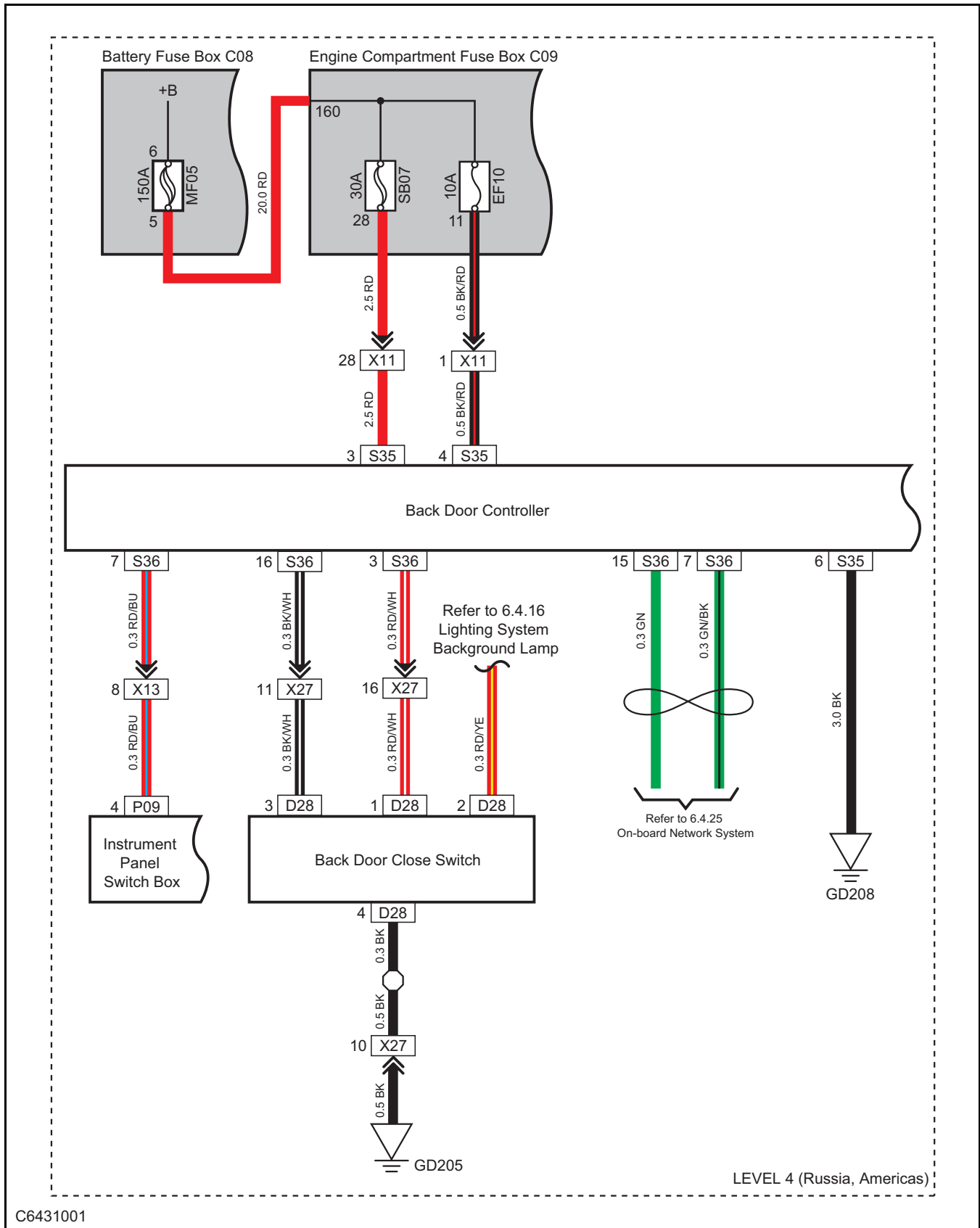


Power Back Door System

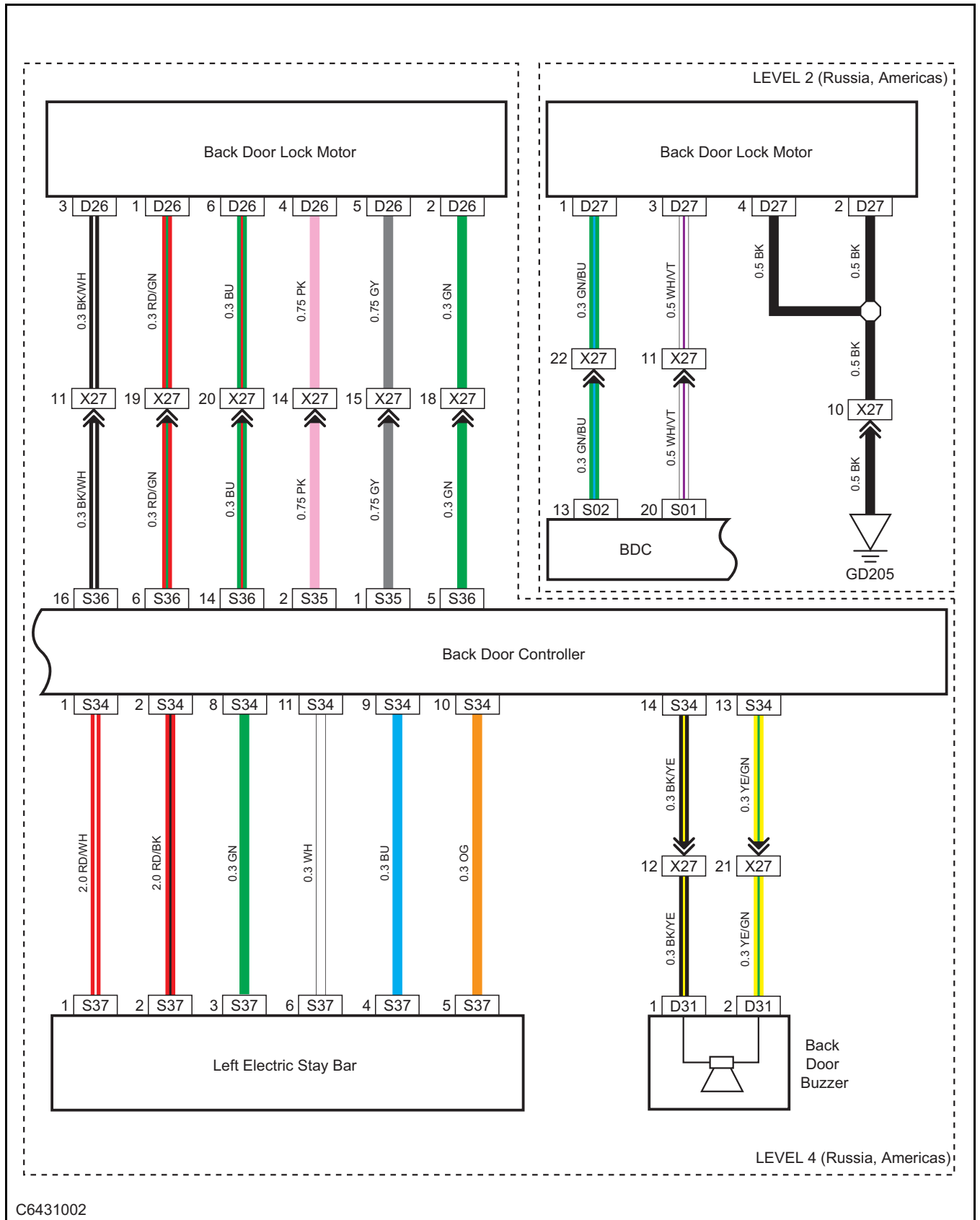


C6431003

Power Supply/Instrument Panel Switch Box/Back Door Close Switch

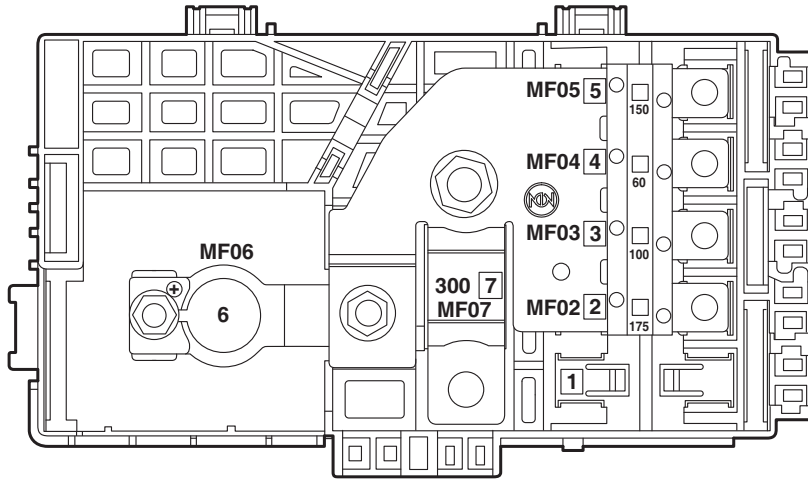


Door Lock Motor - Back Door/Back Door Buzzer/Left Electric Stay Bar



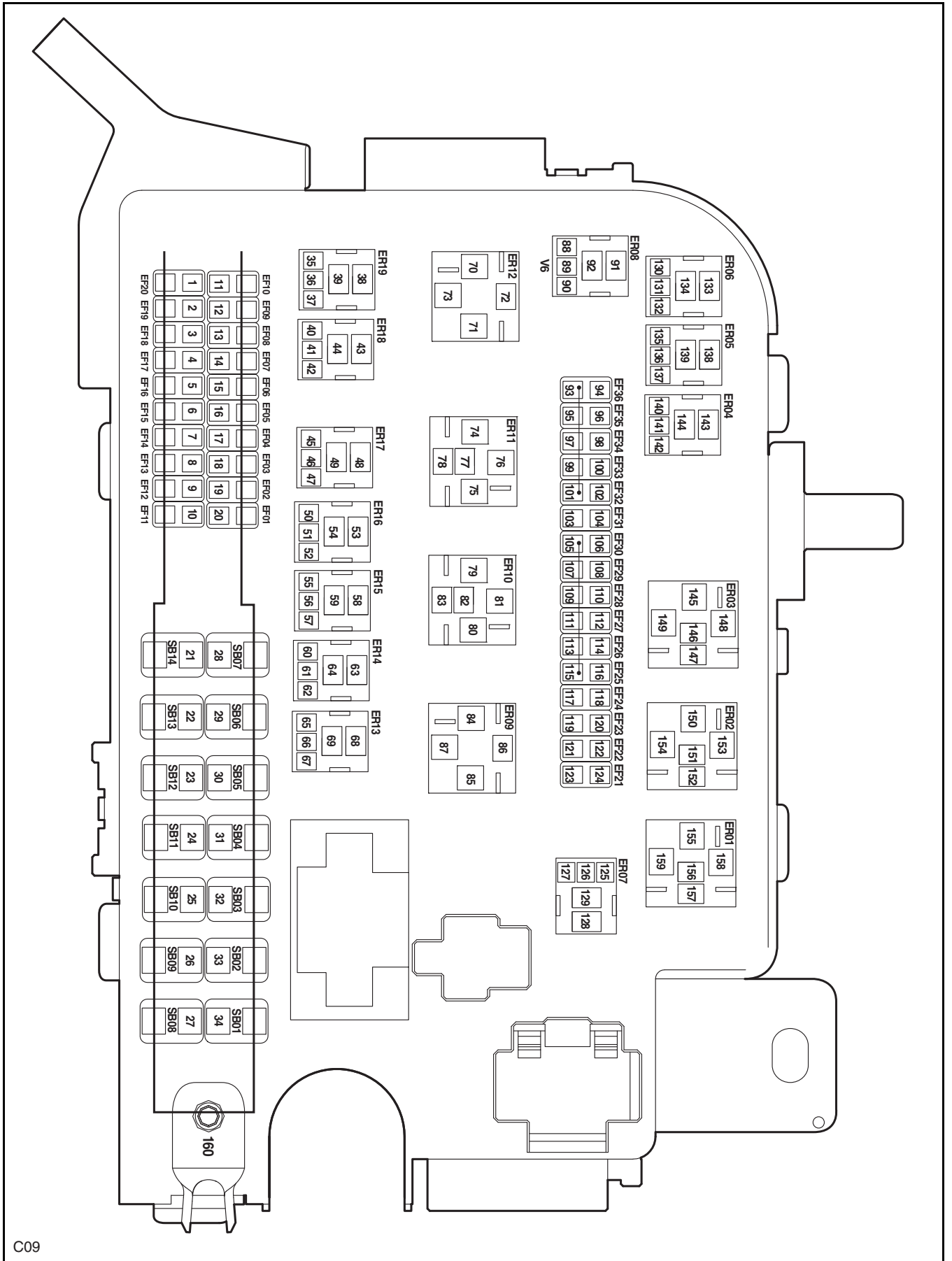
C6431002

Battery Fuse Box



C08

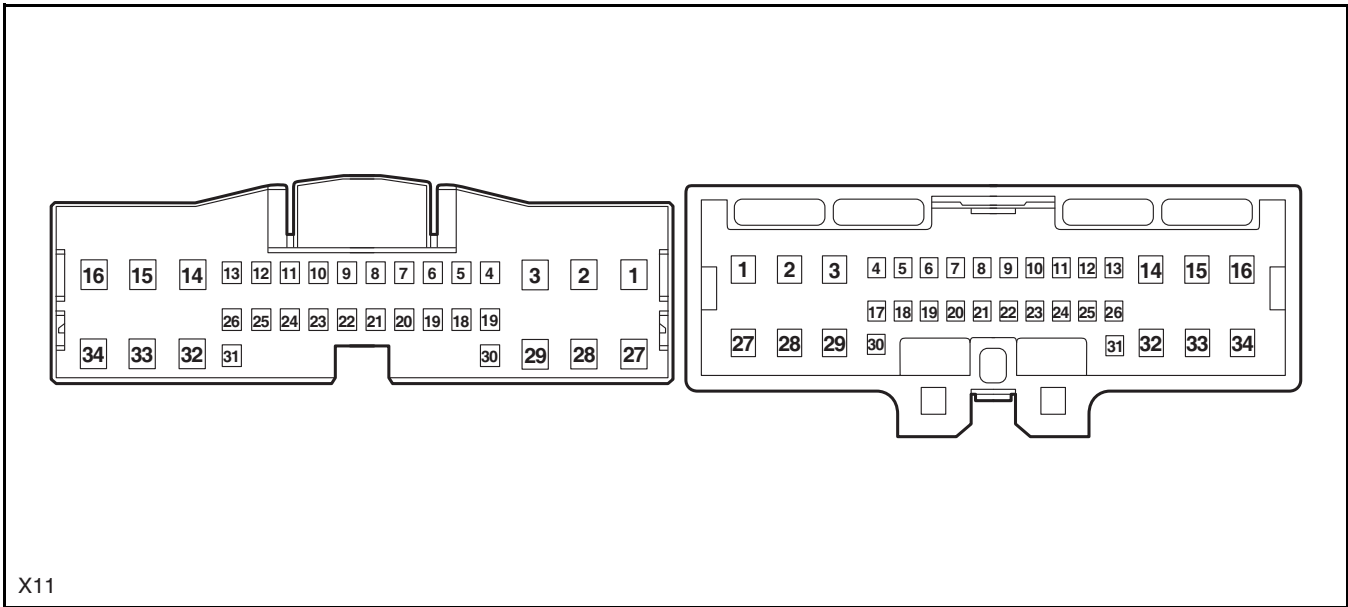
Engine Compartment Fuse Box



C09

Engine Compartment Wiring Harness to Chassis Wiring Harness (Left 1)

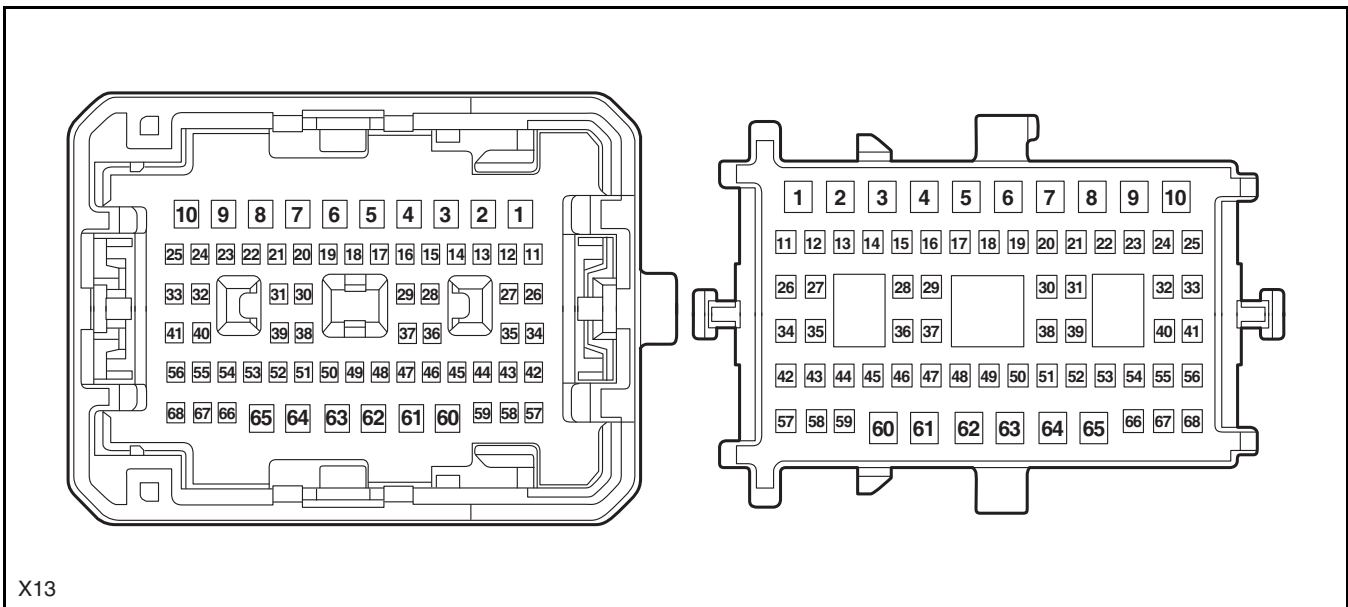
Chassis Wiring Harness (Left 1) to Engine Compartment Wiring Harness



X11

Chassis Wiring Harness to Instrument Panel Wiring Harness (Left 1)

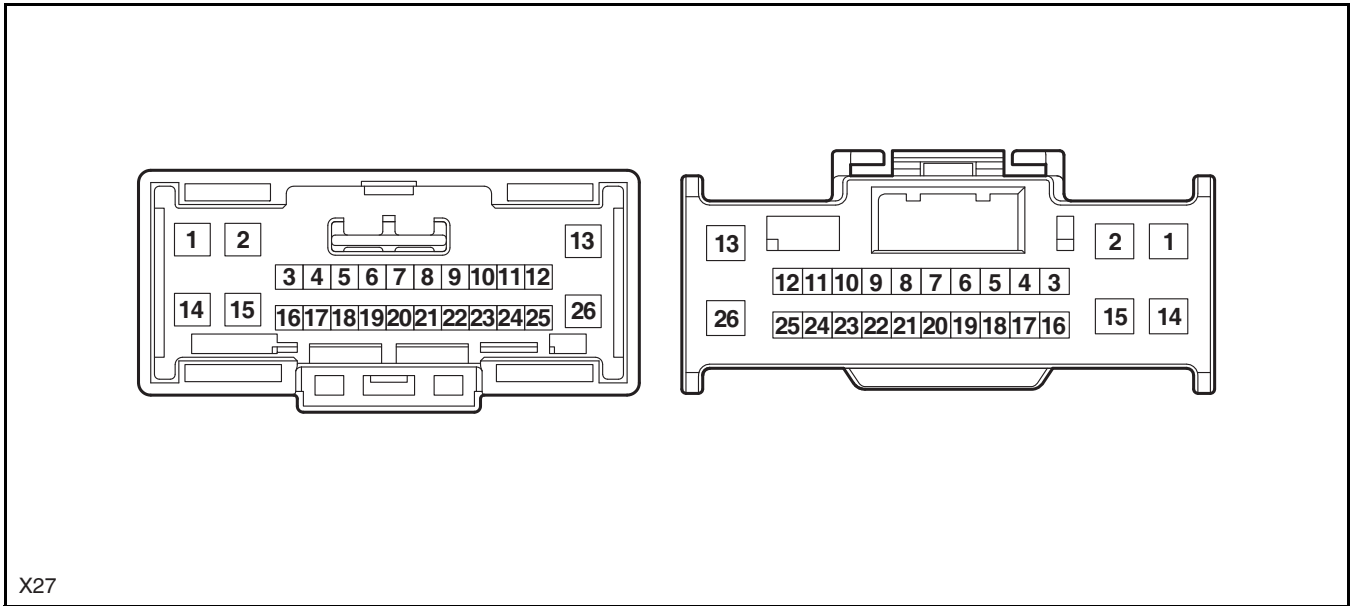
Instrument Panel Wiring Harness (Left 1) to Chassis Wiring Harness



X13

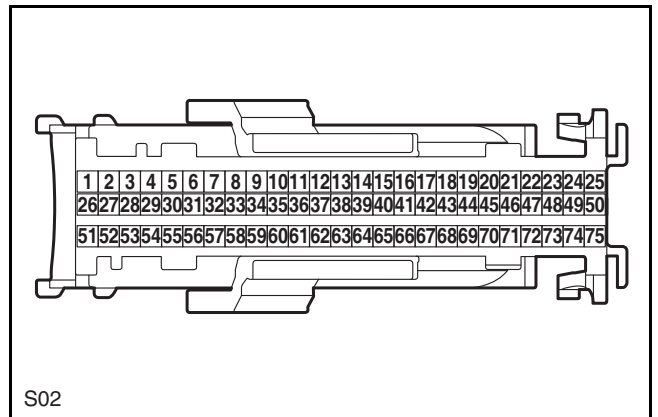
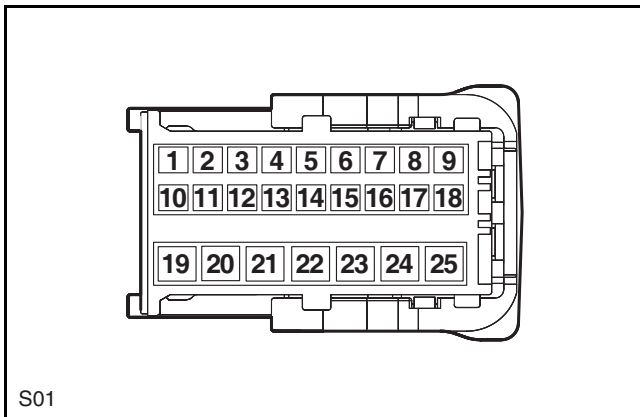
Chassis Wiring Harness to Back Door Wiring Harness

Back Door Wiring Harness to Chassis Wiring Harness

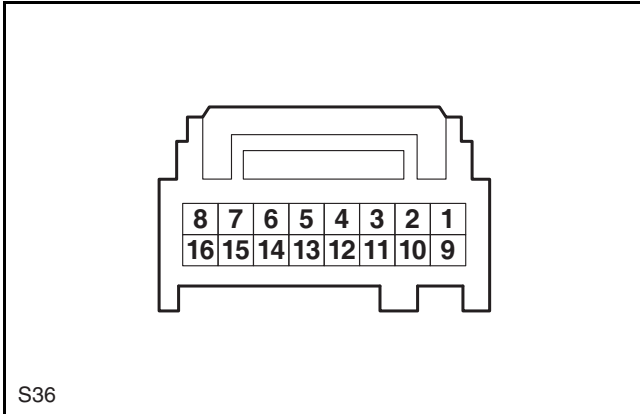


BDC-J4 (Chassis)

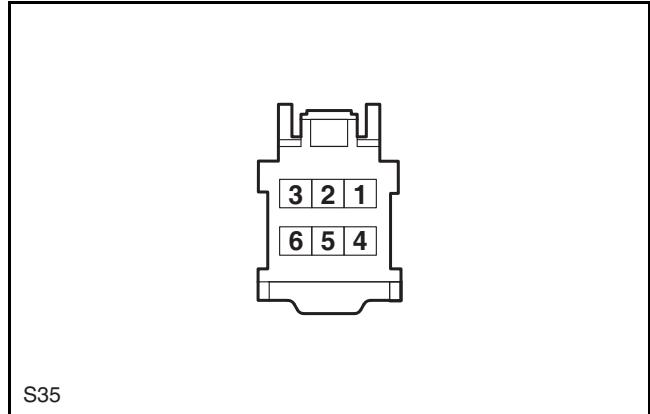
BDC-J3 (Chassis)



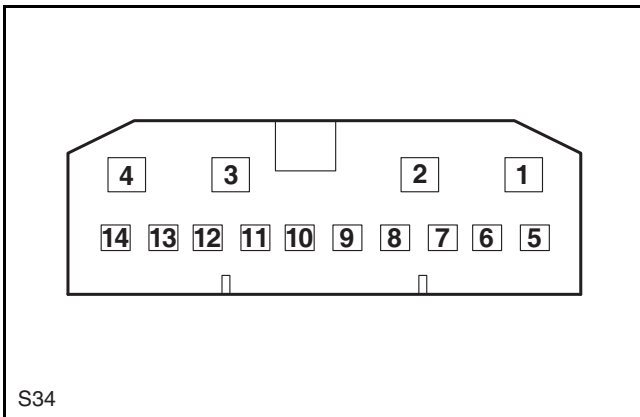
Back Door Controller 1



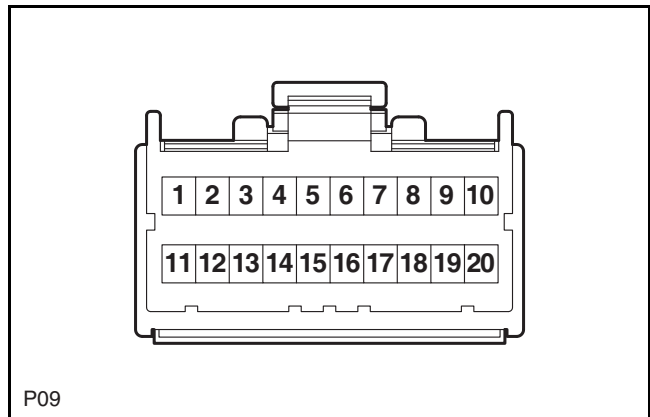
Back Door Controller 2



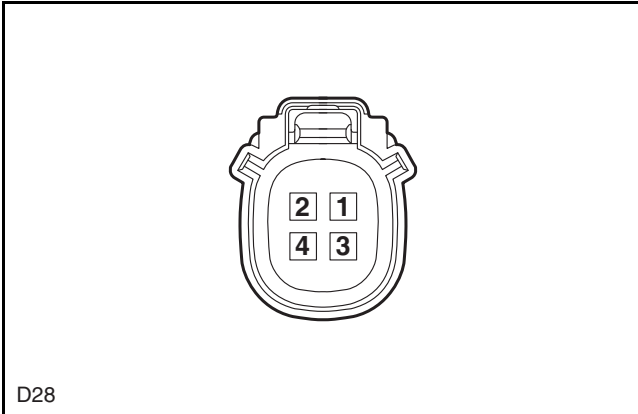
Back Door Controller 3



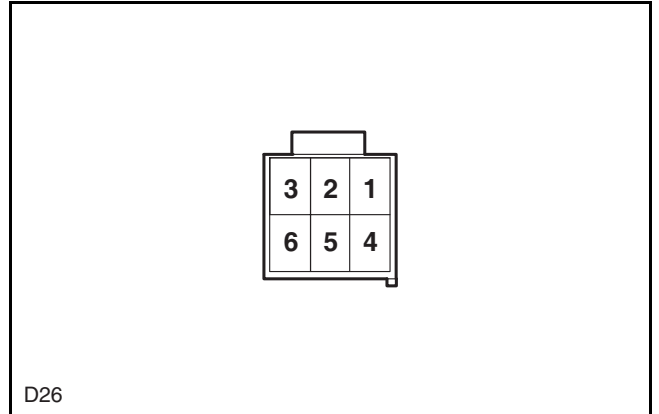
Instrument Panel Switch Box



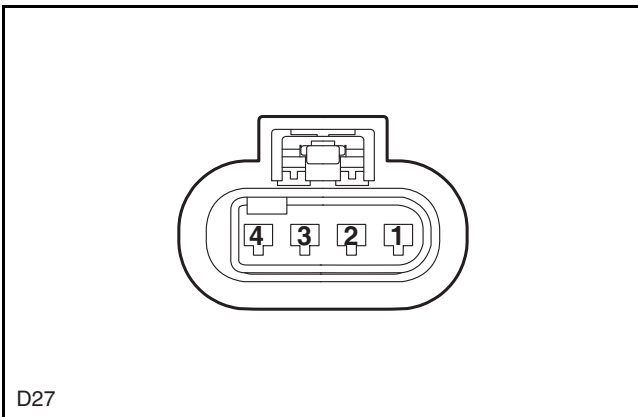
Back Door Close Switch



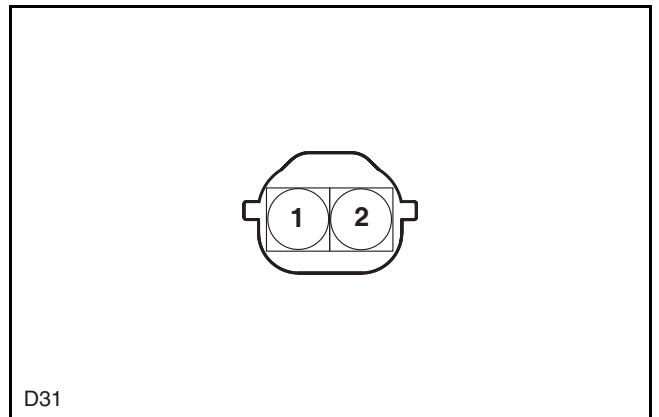
Door Lock Motor - Back Door (High Configuration 1)



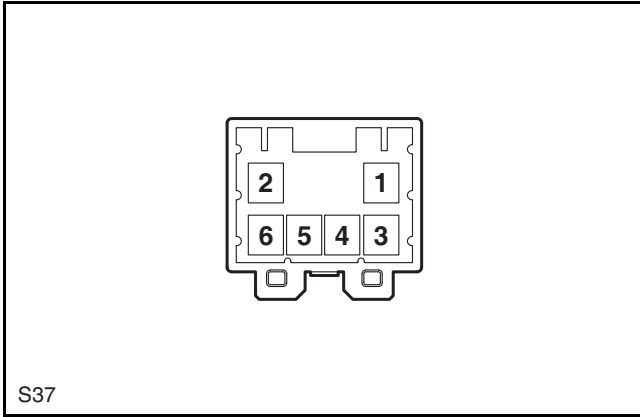
Door Lock Motor - Back Door (Low Configuration)



Back Door Buzzer

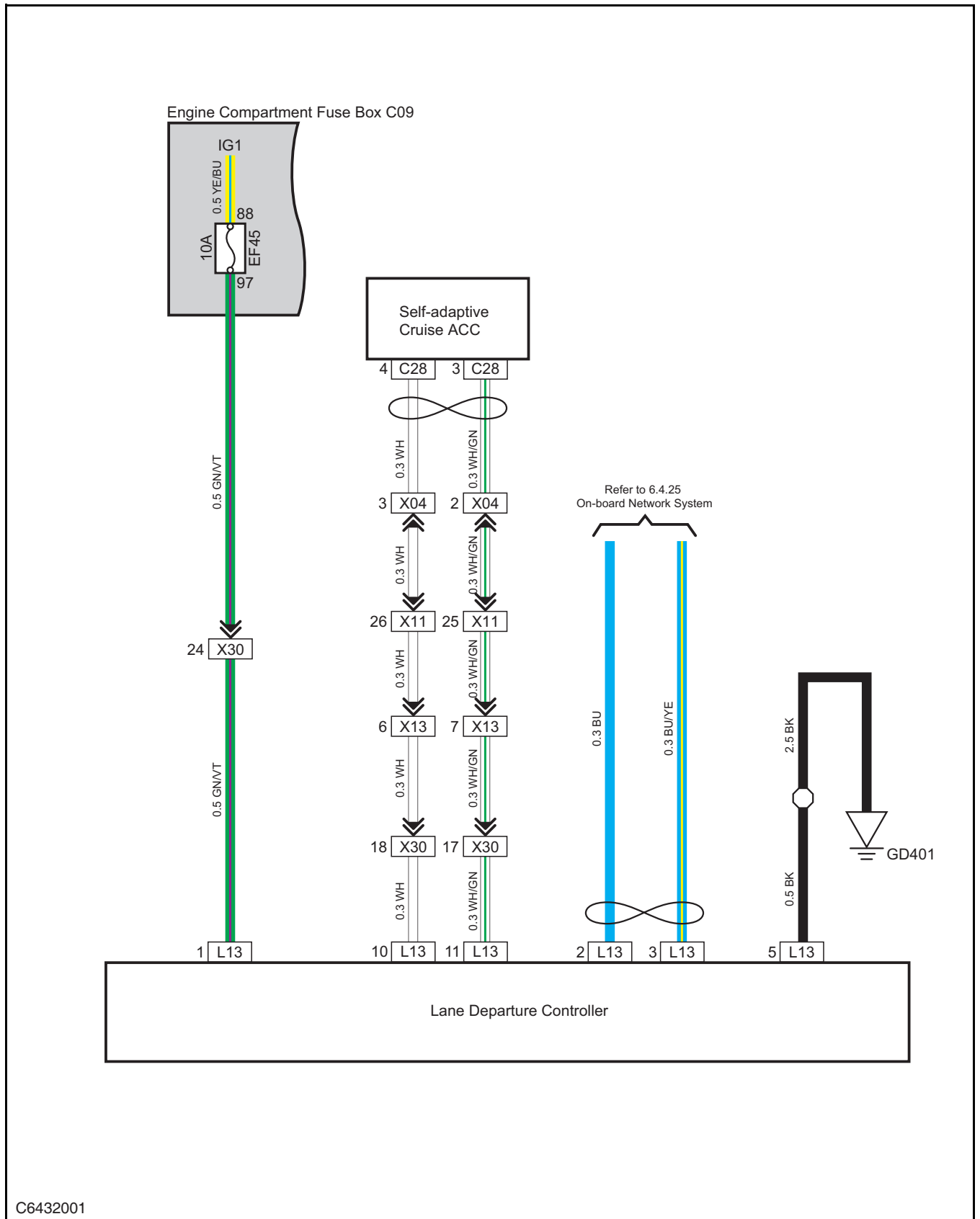


Left Electric Stay Bar



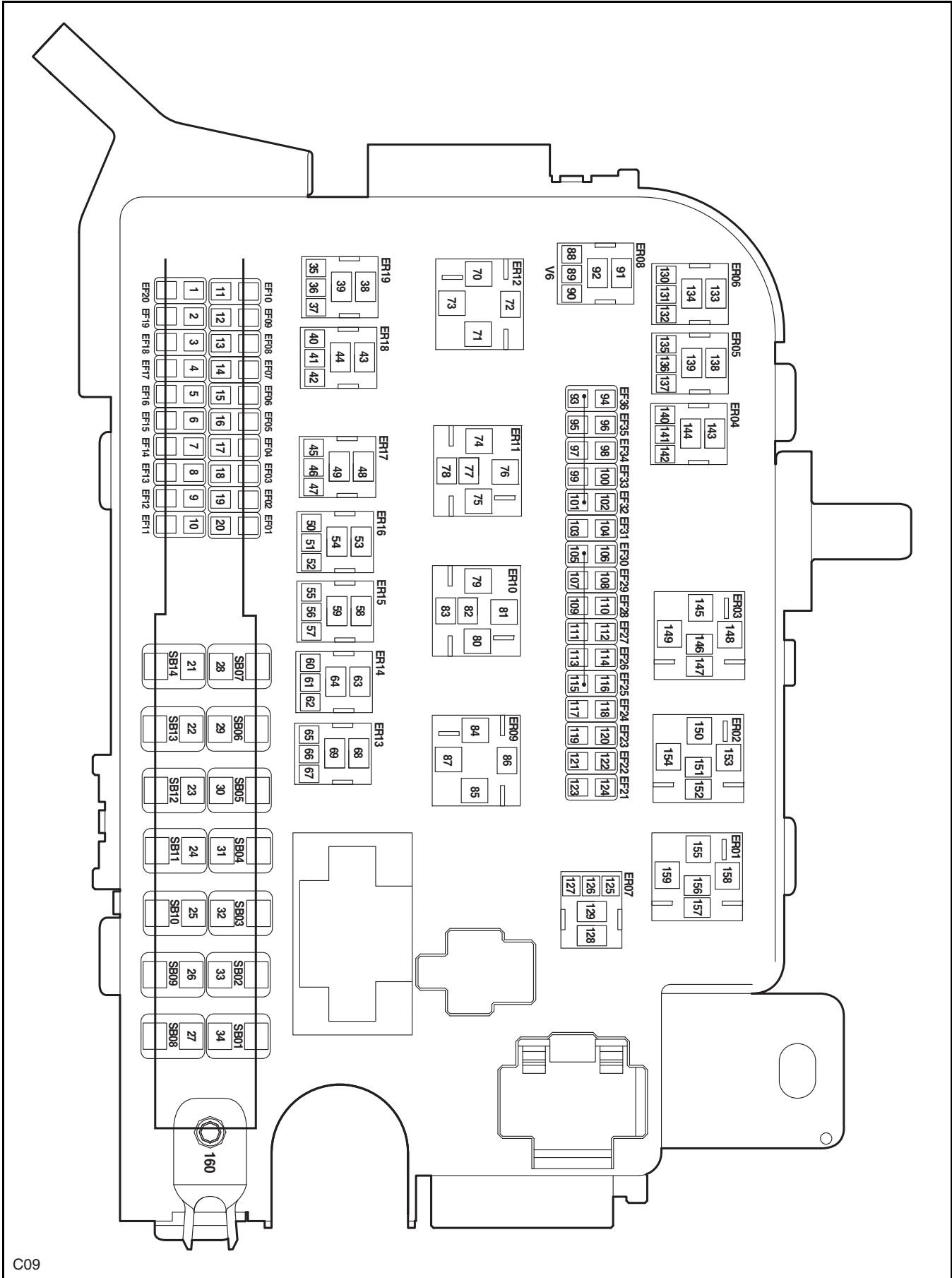
S37

Lane Departure System



C6432001

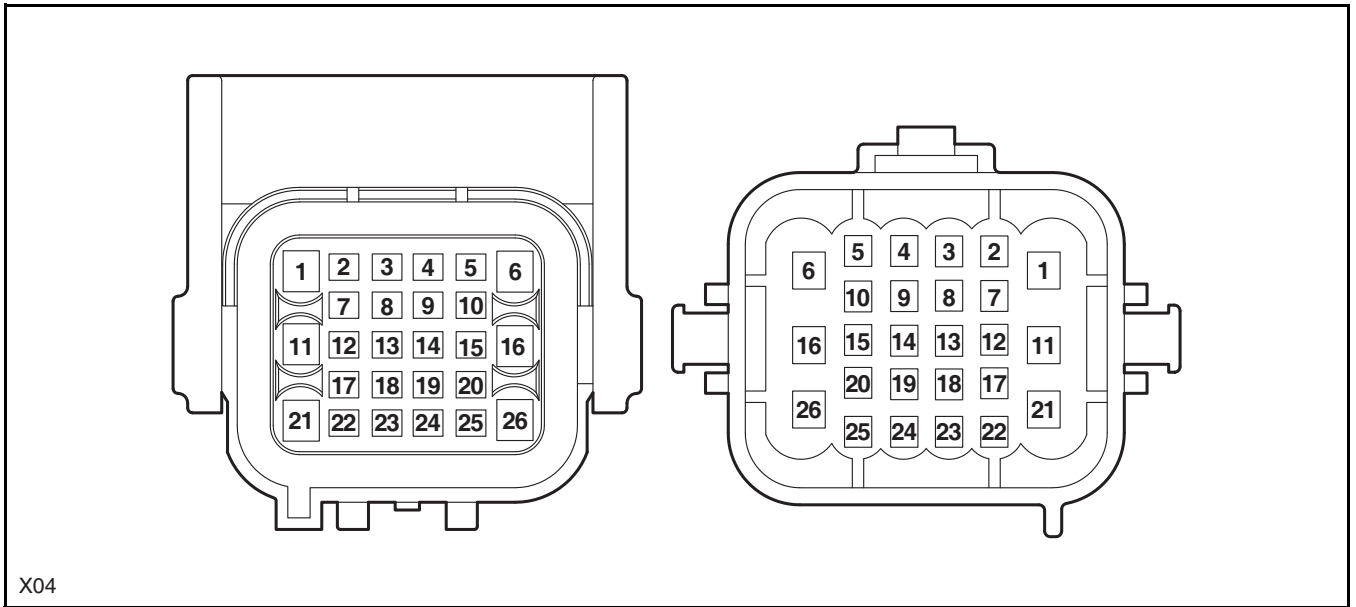
Engine Compartment Fuse Box



C09

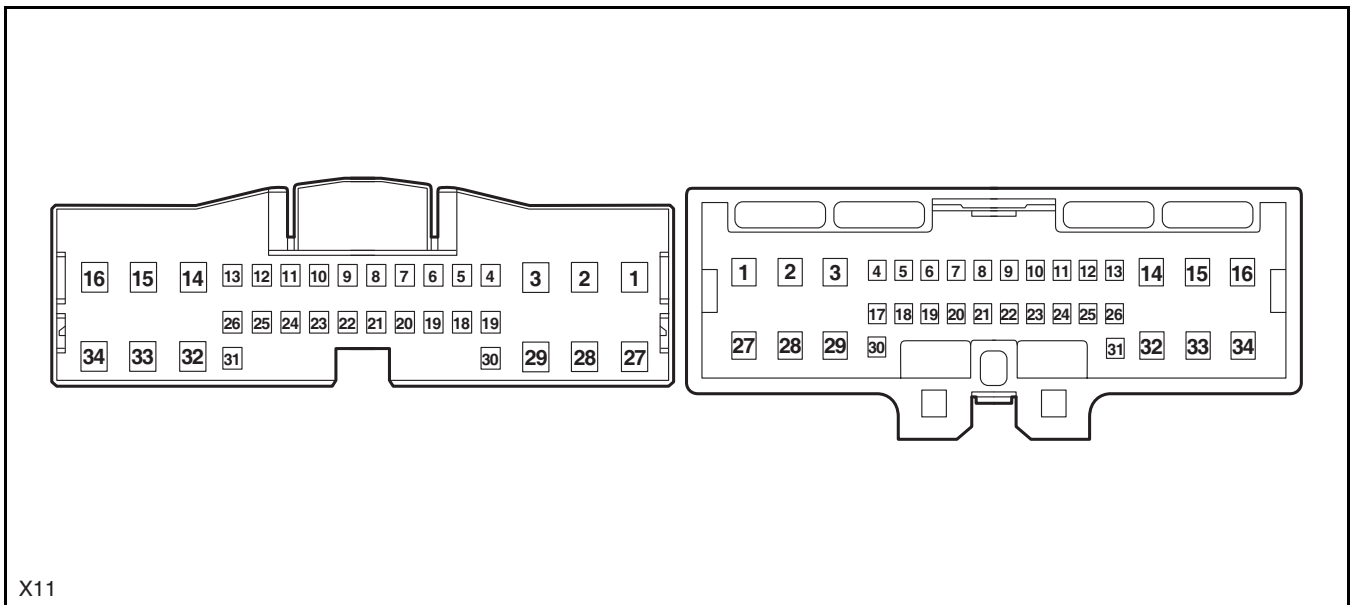
Engine Compartment Wiring Harness to Front End Module Wiring Harness

Front End Module Wiring Harness to Engine Compartment Wiring Harness



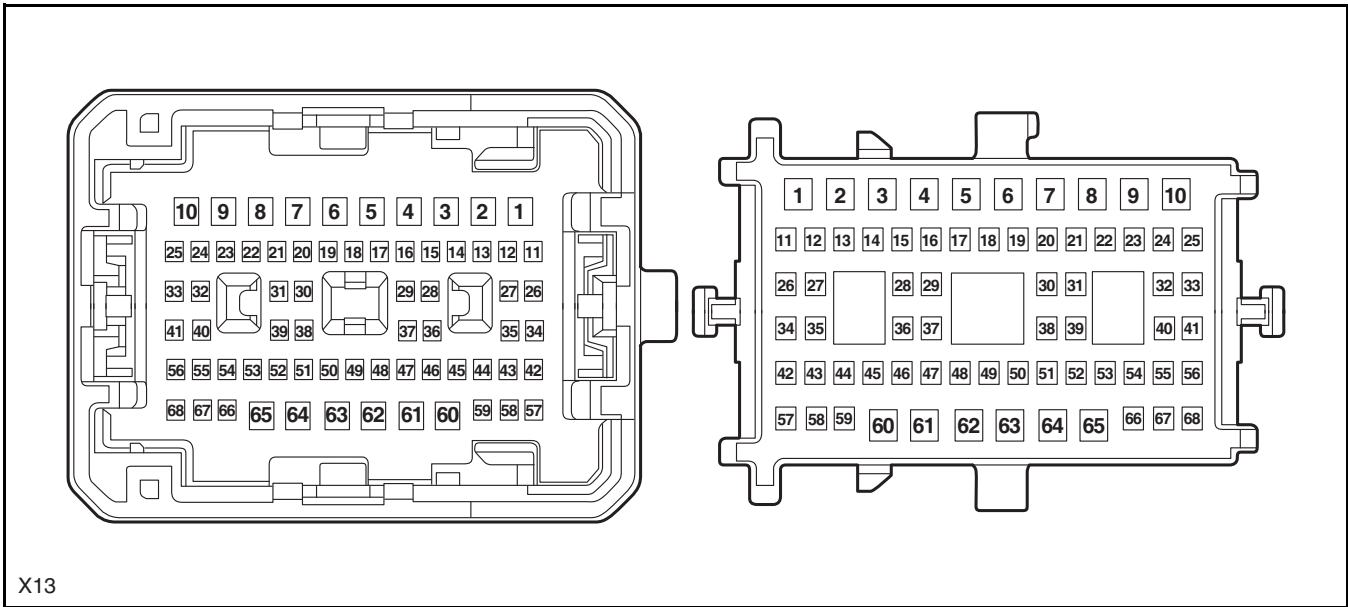
Engine Compartment Wiring Harness to Chassis Wiring Harness (Left 1)

Chassis Wiring Harness (Left 1) to Engine Compartment Wiring Harness



Chassis Wiring Harness to Instrument Panel Wiring Harness (Left 1)

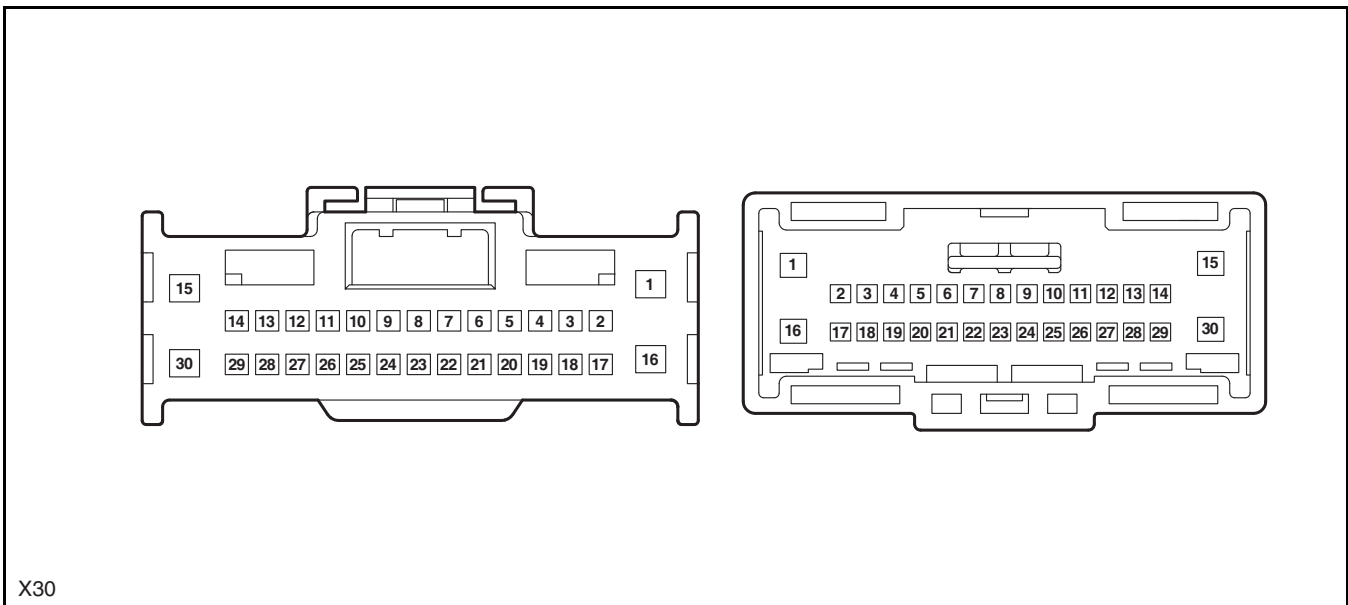
Instrument Panel Wiring Harness (Left 1) to Chassis Wiring Harness



X13

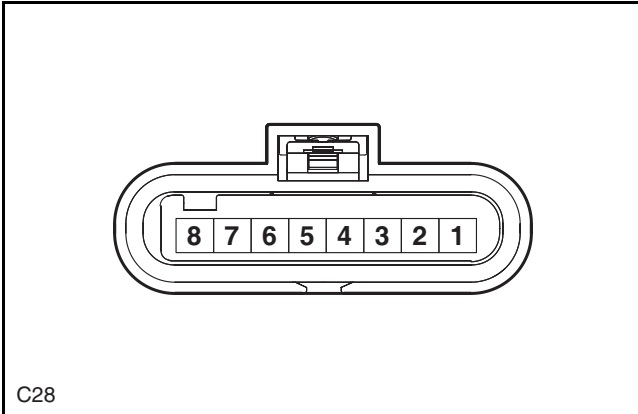
Instrument Panel Wiring Harness to Roof Wiring Harness (Left)

Roof Wiring Harness (Left) to Instrument Panel Wiring Harness

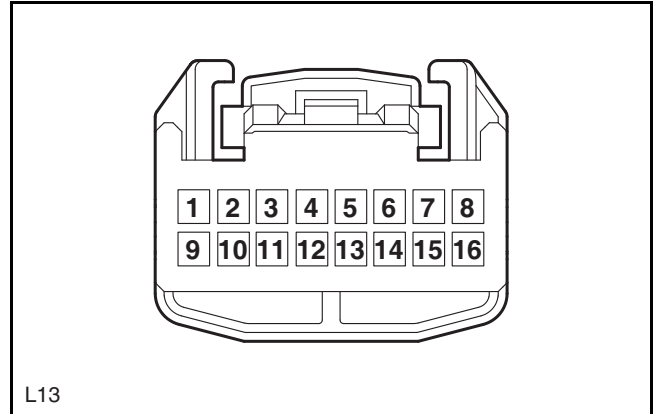


X30

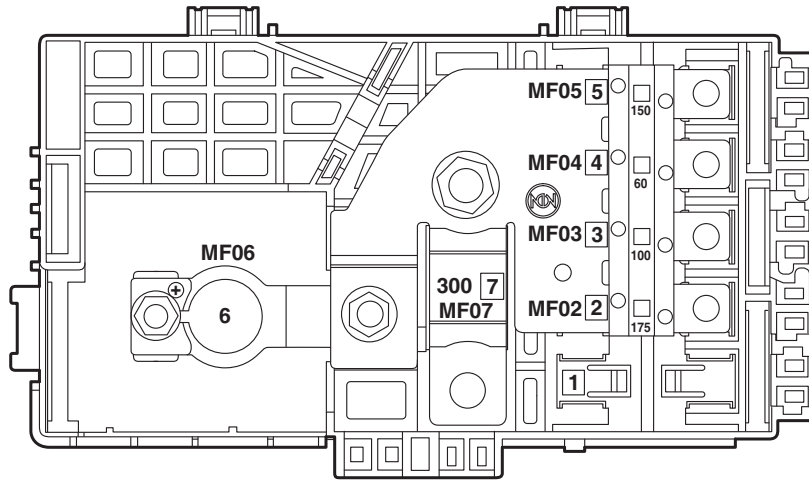
Self-adaptive Cruise Controller



Lane Departure Controller



Fuse and Relay Information

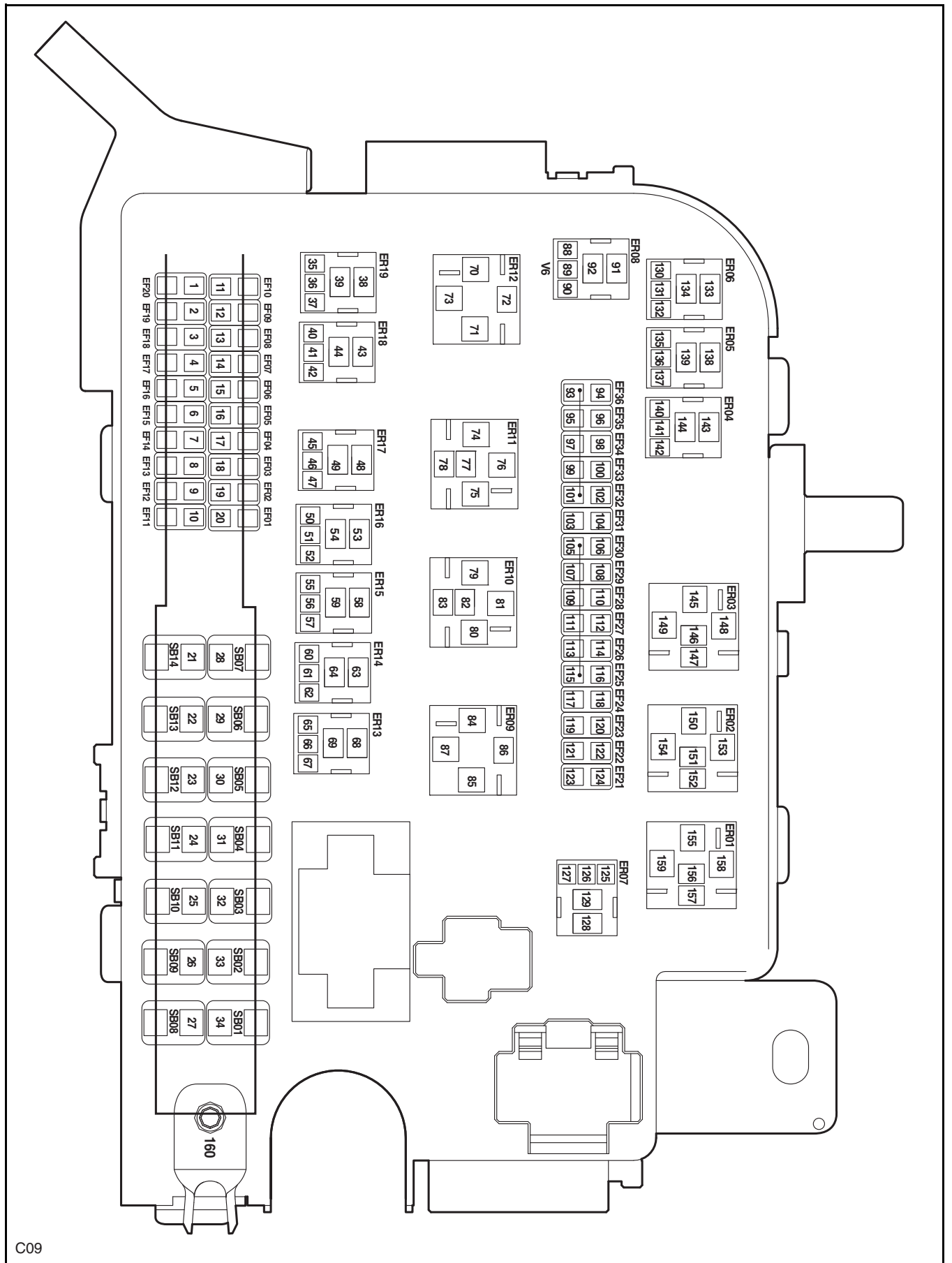


C08

Battery Fuse Box Fuse Definition

Code	Application	Rated Current (A)
MF02	-	175 A
MF03	EPS	100 A
MF04	PWM Cooling Fan	60 A
MF05	Engine Compartment Fuse Box	150 A
MF06	-	-
MF07	Starting Motor/Alternator	300 A

Engine Compartment Fuse Box



C09

Engine Compartment Fuse Box Relay Definition

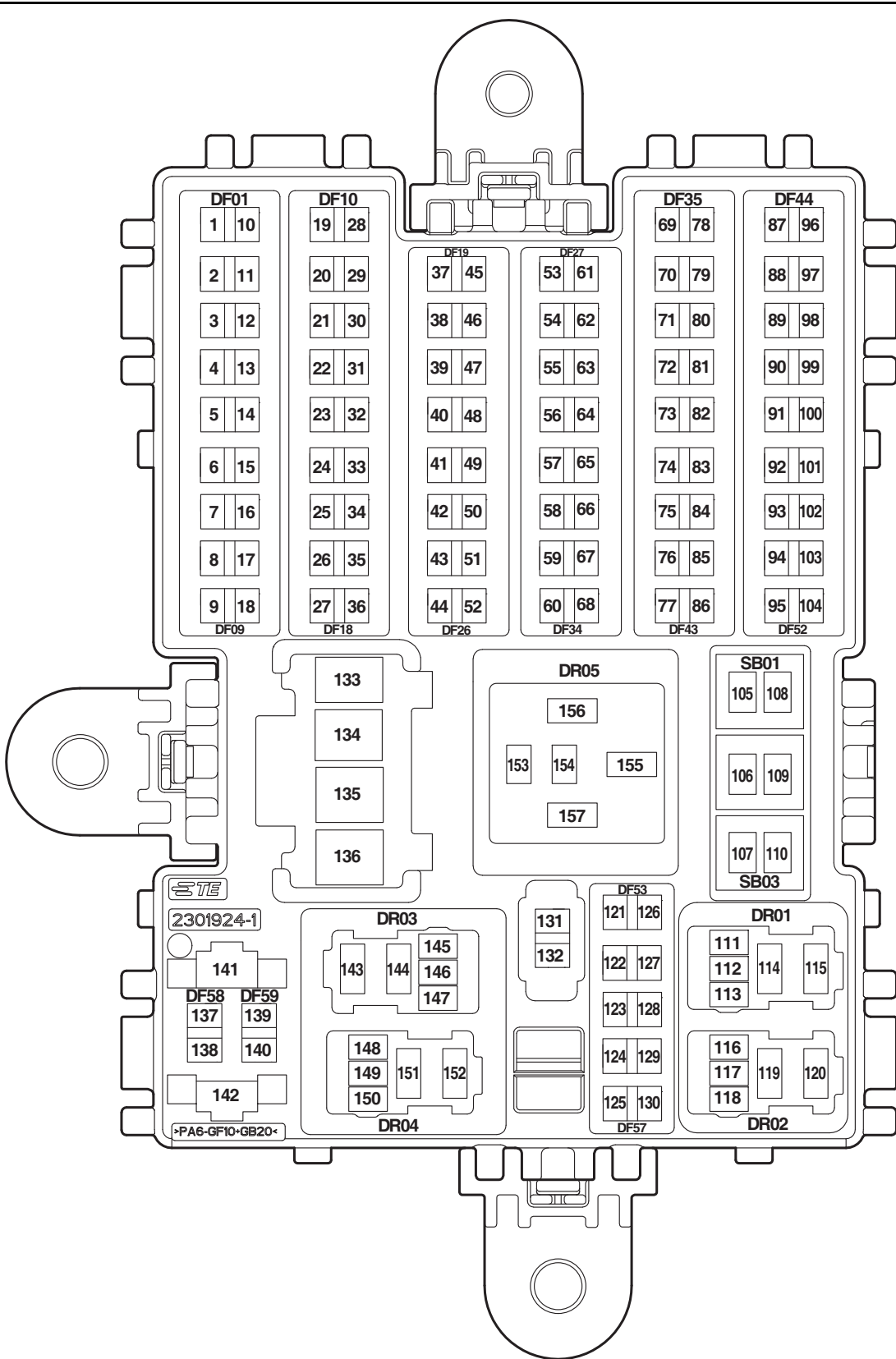
Code	Application	Description
ER01	-	-
ER02	Main Relay	-
ER03	Blower Relay	-
ER04	Compressor Relay	-
ER05	High/Low Beam Relay	-
ER06	Rear Defroster Relay	-
ER07	Start Relay 1	-
ER08	Right Front Windshield Heater Relay	-
ER09	-	-
ER10	-	-
ER11	-	-
ER12	-	-
ER13	Rear Wiper Relay	-
ER14	Start Relay 2	-
ER15	Horn Relay	-
ER16	Front Wiper Relay 1	-
ER17	Front Wiper Relay 2	-
ER18	Oil Pump Relay	-
ER19	Left Front Windshield Heater Relay	-

Engine Compartment Fuse Box Fuse Definition

Code	Application	Rated Current (A)	Description
EF01	High Beam Lamp	15 A	-
EF02	BDC Power Supply 2	10 A	-
EF03	BDC Power Supply 4	10 A	-
EF04	BDC Power Supply 5	10 A	-
EF05	BDC Power Supply 6	10 A	-
EF06	Main Relay	30 A	-
EF07	Oil Pump	20 A	-
EF08	Horn	15 A	-
EF09	Compressor Relay	10 A	-
EF10	Power Back Door Relay	10 A	-
EF11	Transmission Controller	20 A	-
EF12	Electronic Injection Controller	10 A	-
EF13	Battery Sensor	5 A	-
EF14	Brake Switch	10 A	-
EF15	Front Wiper	25 A	-
EF16	Rear Wiper	20 A	-
EF17	BDC Power Supply 3	15 A	-
EF18	BDC Power Supply 7	15 A	-
EF19	BDC Power Supply 1	20 A	-
EF20	BDC Power Supply 8	15 A	-
EF21	Rearview Mirror Heater	7.5 A	-
EF22	-	-	-
EF23	-	-	-
EF24	-	-	-
EF25	Engine Valve Body	15 A	-
EF26	Ignition Coil	15 A	-
EF27	Engine Sensor	15 A	-
EF28	Brake Switch	10 A	-
EF29	Electronic Injection Controller	20 A	-
EF30	Relay Coil	10 A	-

Code	Application	Rated Current (A)	Description
EF31	-	-	-
EF32	-	-	-
EF33	Electronic Injection Controller	10 A	-
EF34	EPBI	10 A	-
EF35	Self-adaptive Cruise	10 A	-
EF36	Transmission Controller	10 A	-
SB01	EPBI	40 A	-
SB02	Starting Relay	30 A	-
SB03	Right Front Windshield Heater	30 A	-
SB04	Blower	40 A	-
SB05	ACC/IG1 Relay	30 A	-
SB06	Instrument Cluster Constant Power Supply 1	60 A	-
SB07	Power Back Door Controller	30 A	-
SB08	EPBI	60 A	-
SB09	Front Windshield Heater - Left	30 A	-
SB10	-	-	-
SB11	Window Anti-pinch Controller 2	30 A	-
SB12	Window Anti-pinch Controller 1	30 A	-
SB13	Instrument Cluster Constant Power Supply 2	60 A	-
SB14	Rear Defroster	30 A	-

Instrument Panel Fuse Box



P01

Instrument Panel Fuse Box Relay Definition

Code	Application	Description
DR01	-	-
DR02	-	-
DR03	IG1 Relay	-
DR04	ACC Relay	-

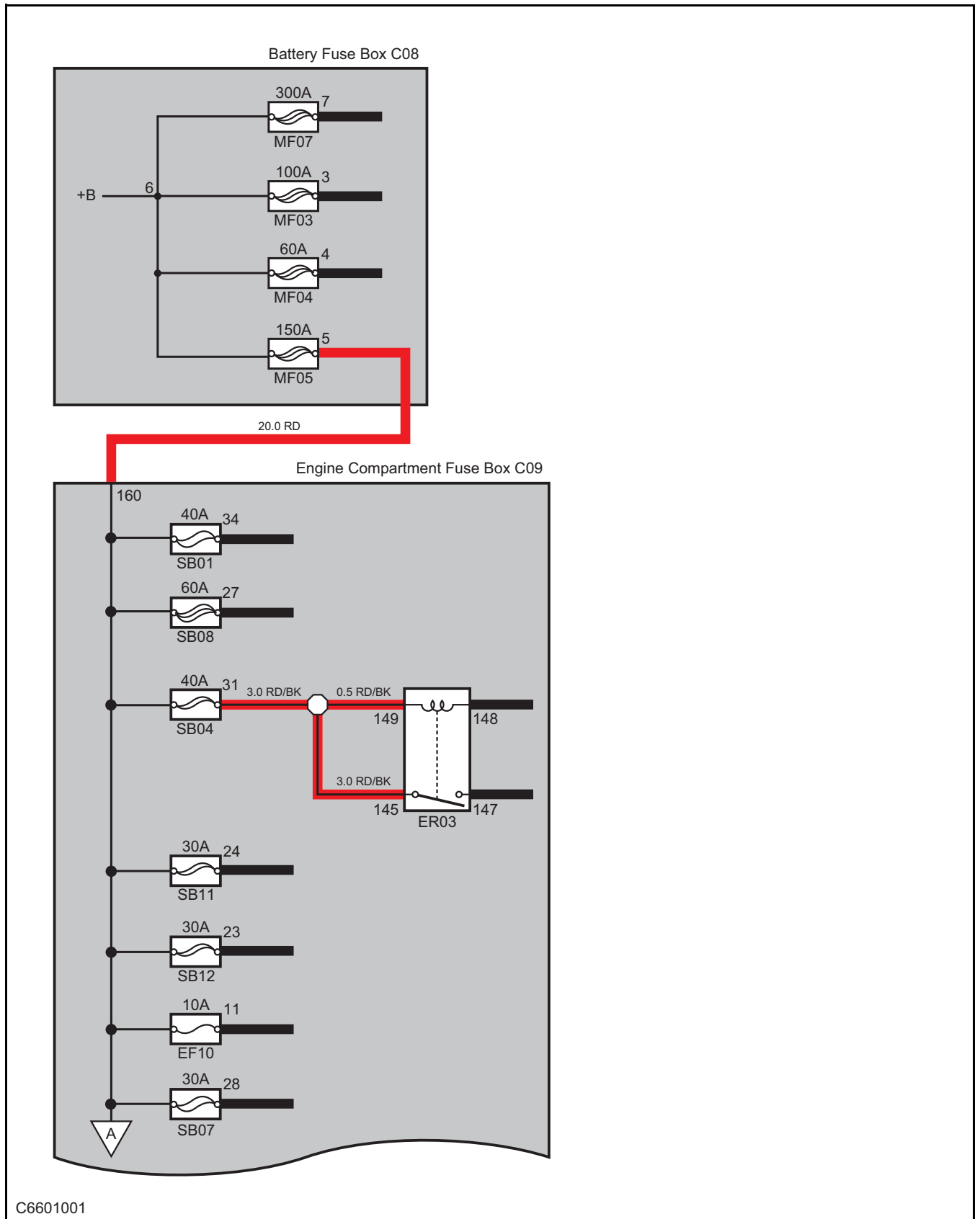
Instrument Panel Fuse Box Fuse Definition

Code	Application	Rated Current (A)	Description
DF01	Radio Frequency Receiver	7.5 A	-
DF02	Data Link Connector	10 A	-
DF03	Shift Assembly/Electronic Shift Controller	15 A	-
DF04	Instrument Cluster IP/Rotary Connector	10 A	-
DF05	Audio Controller	20 A	-
DF06	-	-	-
DF07	Center Control Panel	10 A	-
DF08	Assist Left/Right Rear	10 A	-
DF09	-	-	-
DF10	Sunroof Controller	20 A	-
DF11	Rain/Ambient Light Sensor/ ETC	10 A	-
DF12	EPB/Central Box Switch	10 A	-
DF13	Driver Heater	15 A	-
DF14	Rear Heater	10 A	-
DF15	-	-	-
DF16	-	-	-
DF17	-	-	-
DF18	-	-	-
DF19	-	-	-
DF20	-	-	-
DF21	-	-	-
DF22	-	-	-
DF23	SOS Emergency Call - TCU	10 A	-
DF24	-	-	-
DF25	-	-	-
DF26	-	-	-
DF27	SOS Emergency Call	10 A	-
DF28	Instrument Panel Switch Box	7.5 A	-

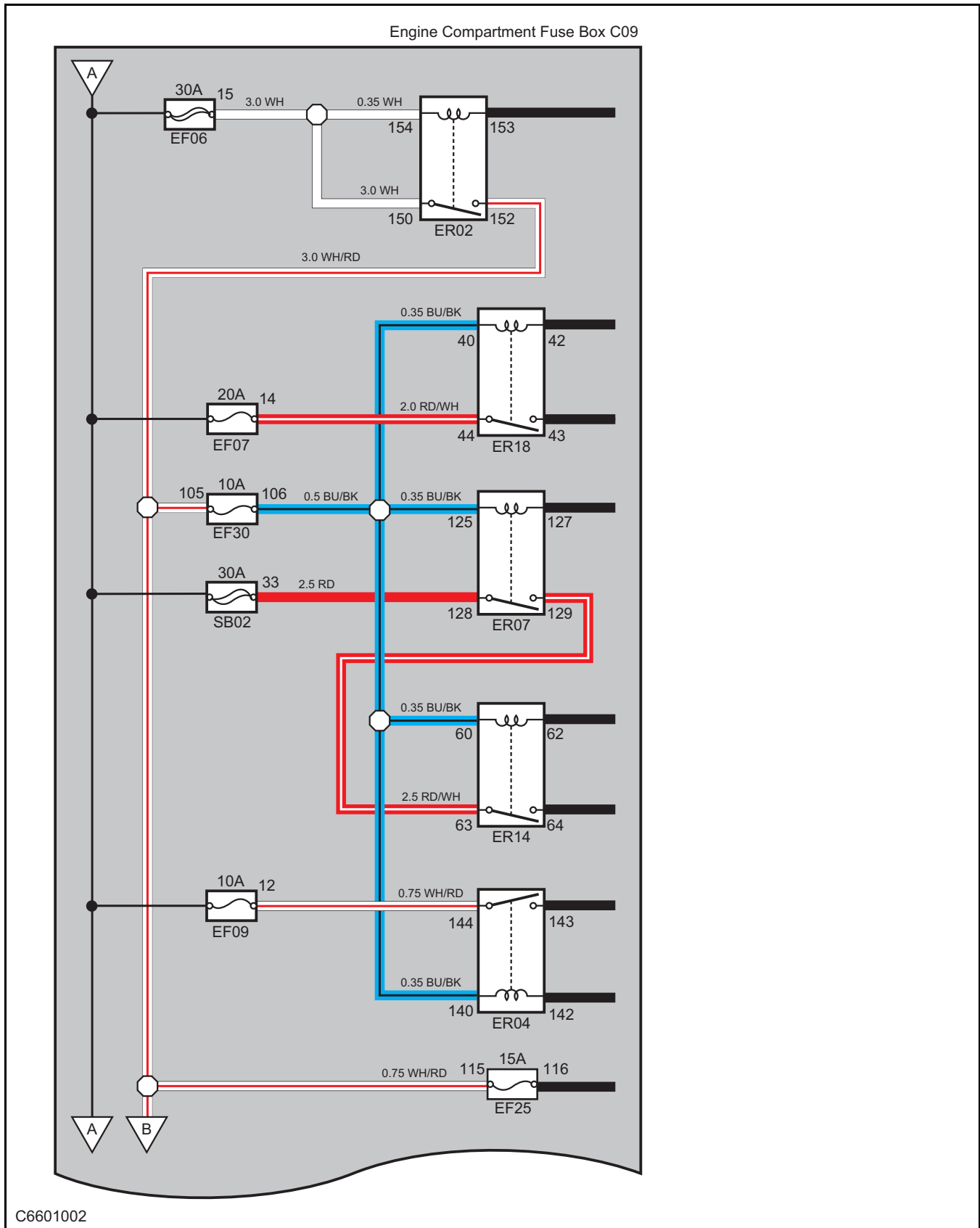
Code	Application	Rated Current (A)	Description
DF29	Icar-BDC/Audio Controller	10 A	-
DF30	Drive Recorder USB Charging	10 A	-
DF31	Power Outlet	15 A	-
DF32	Rear USB/Wireless Charging	10 A	-
DF33	-	-	-
DF34	-	-	-
DF35	Airbag Control Unit	10 A	-
DF36	Door Wave Anti-pinch Controller	10 A	-
DF37	EPS Controller	10 A	-
DF38	Icar-BDC/Instrument Panel Switch Box	10 A	-
DF39	Reversing Radar Controller	7.5 A	-
DF40	Assist/Driver Window Switch	10 A	-
DF41	ETC	7.5 A	-
DF42	Rear Heater	10 A	-
DF43			-
DF44	Shift Assembly/Electronic Shift Controller	10 A	-
DF45	Lane Departure/Normal Sunroof Controller	10 A	-
DF46	Icar-BDC/Combination Switch - Wiper	15 A	-
DF47	Driver Heater	10 A	-
DF48	Instrument Cluster IP/Center Control Panel/Ion Generator	10 A	-
DF49	-	-	-
DF50	-	-	-
DF51	-	-	-
DF52	-	-	-
DF53	-	-	-
DF54	-	-	-
DF55	-	-	-

Code	Application	Rated Current (A)	Description
DF56	-	-	-
DF57	-	-	-
DF58	-	-	-
DF59	-	-	-
SB15	Driver Power Seat	30 A	-
SB16	Front Passenger Power Seat	30 A	-

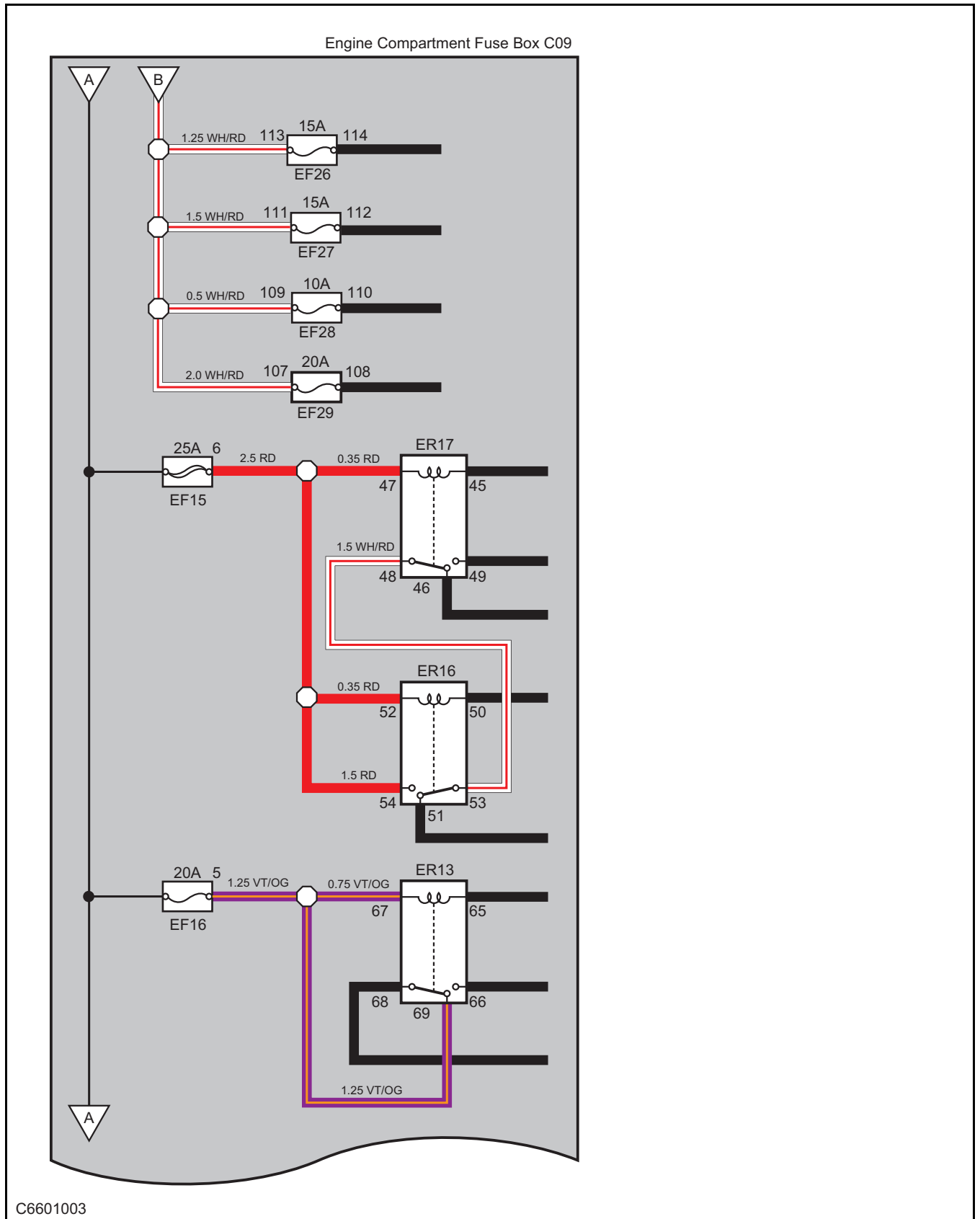
Power Supply Distribution - 1



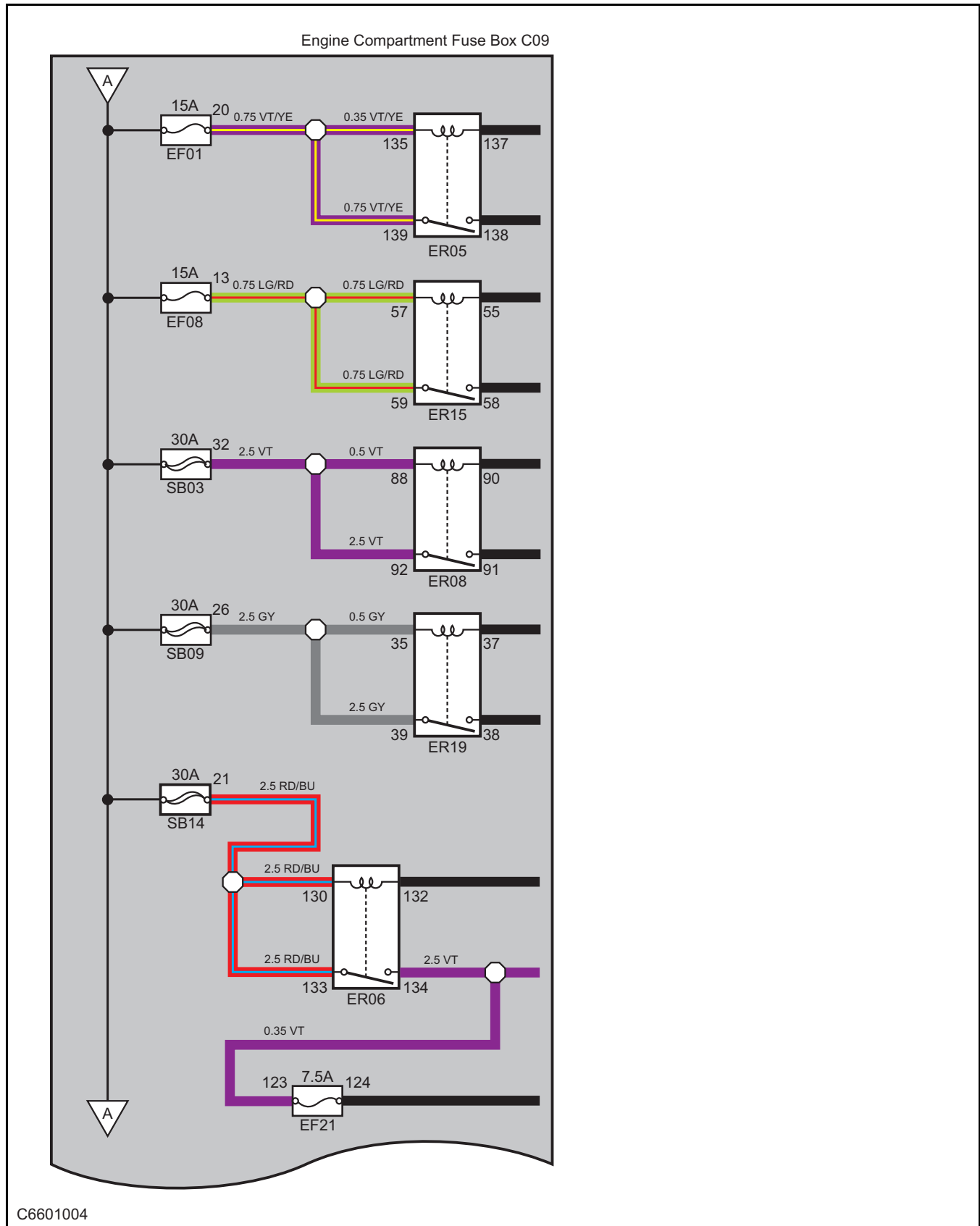
Power Supply Distribution - 2



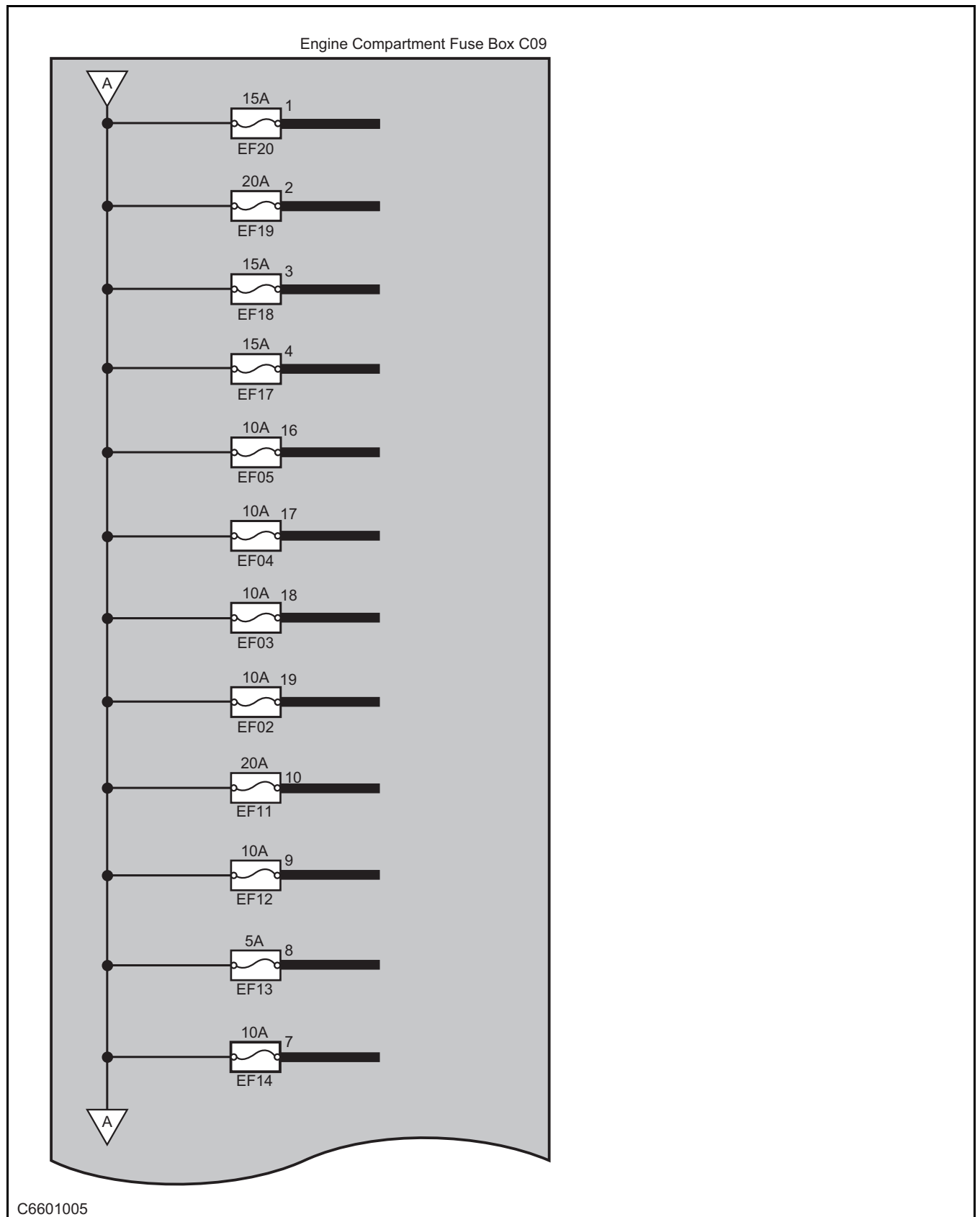
Power Supply Distribution - 3



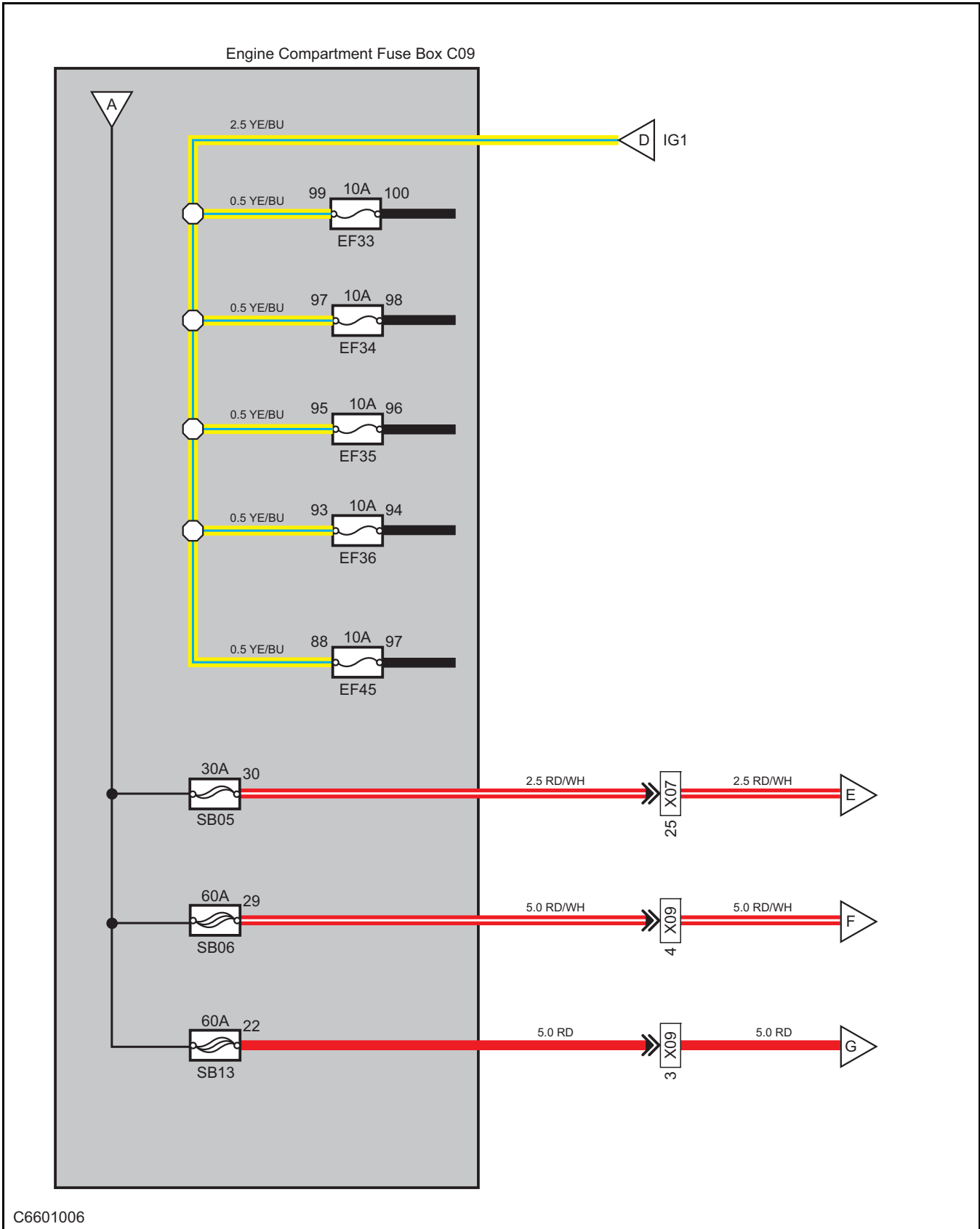
Power Supply Distribution - 4



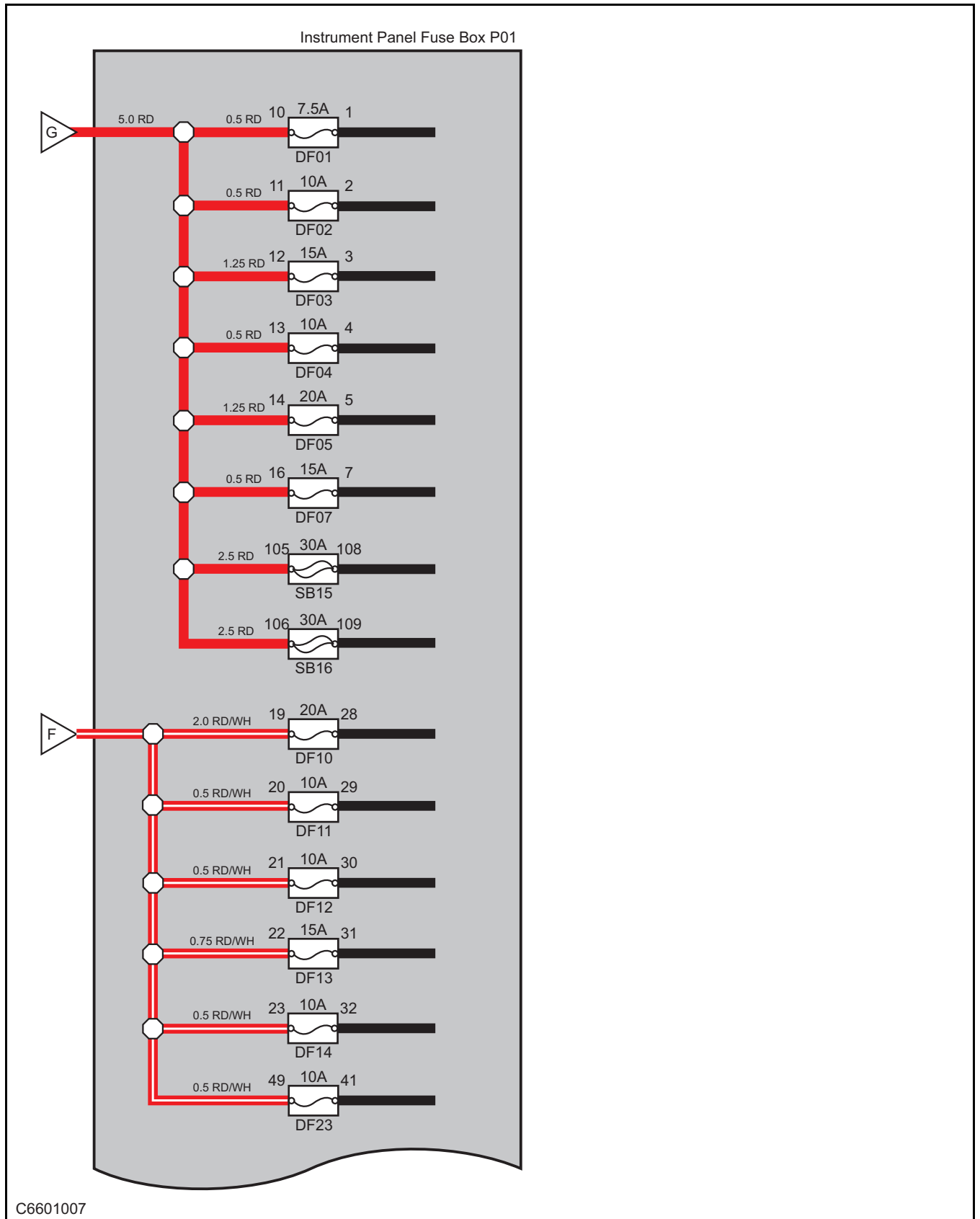
Power Supply Distribution - 5



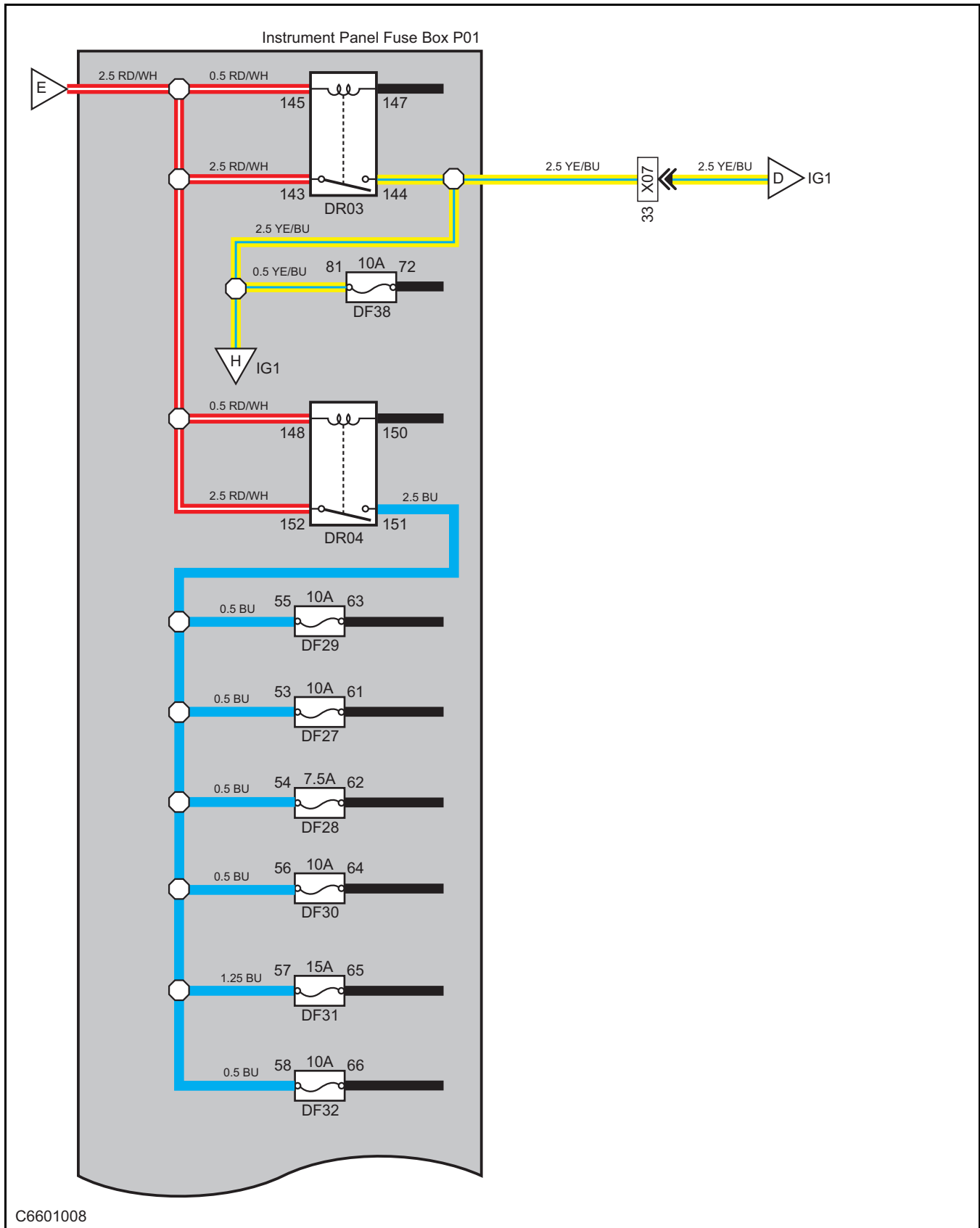
Power Supply Distribution - 6



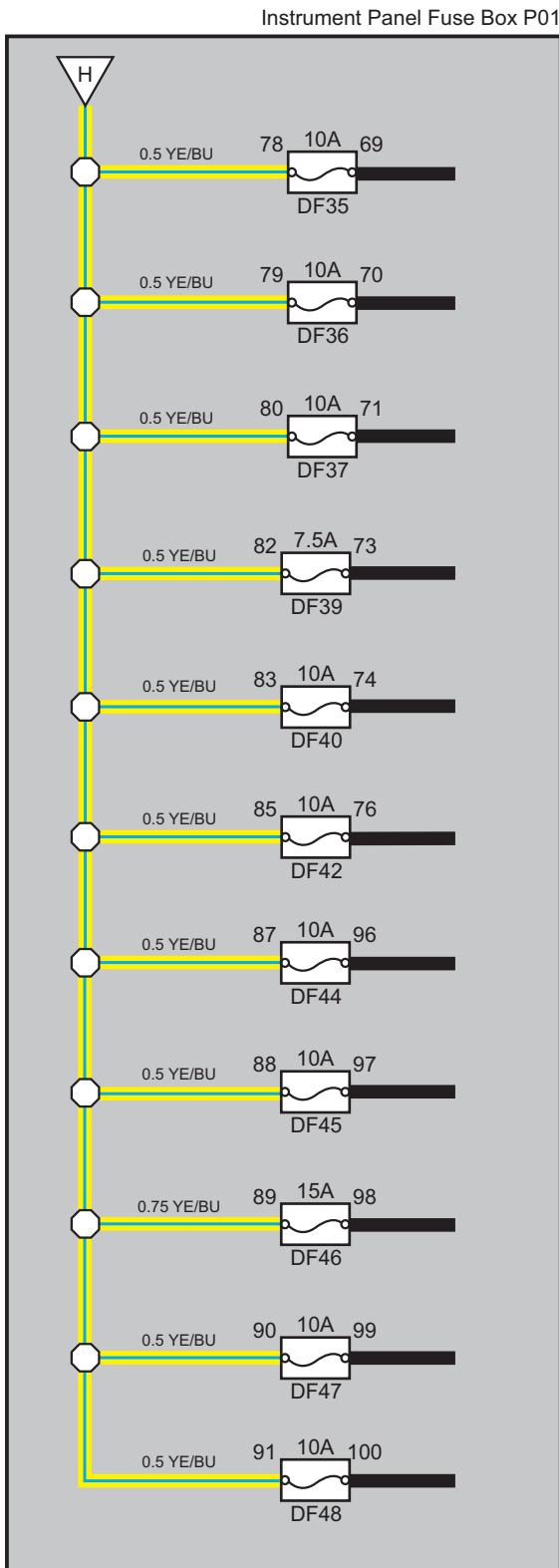
Power Supply Distribution - 7



Power Supply Distribution - 8

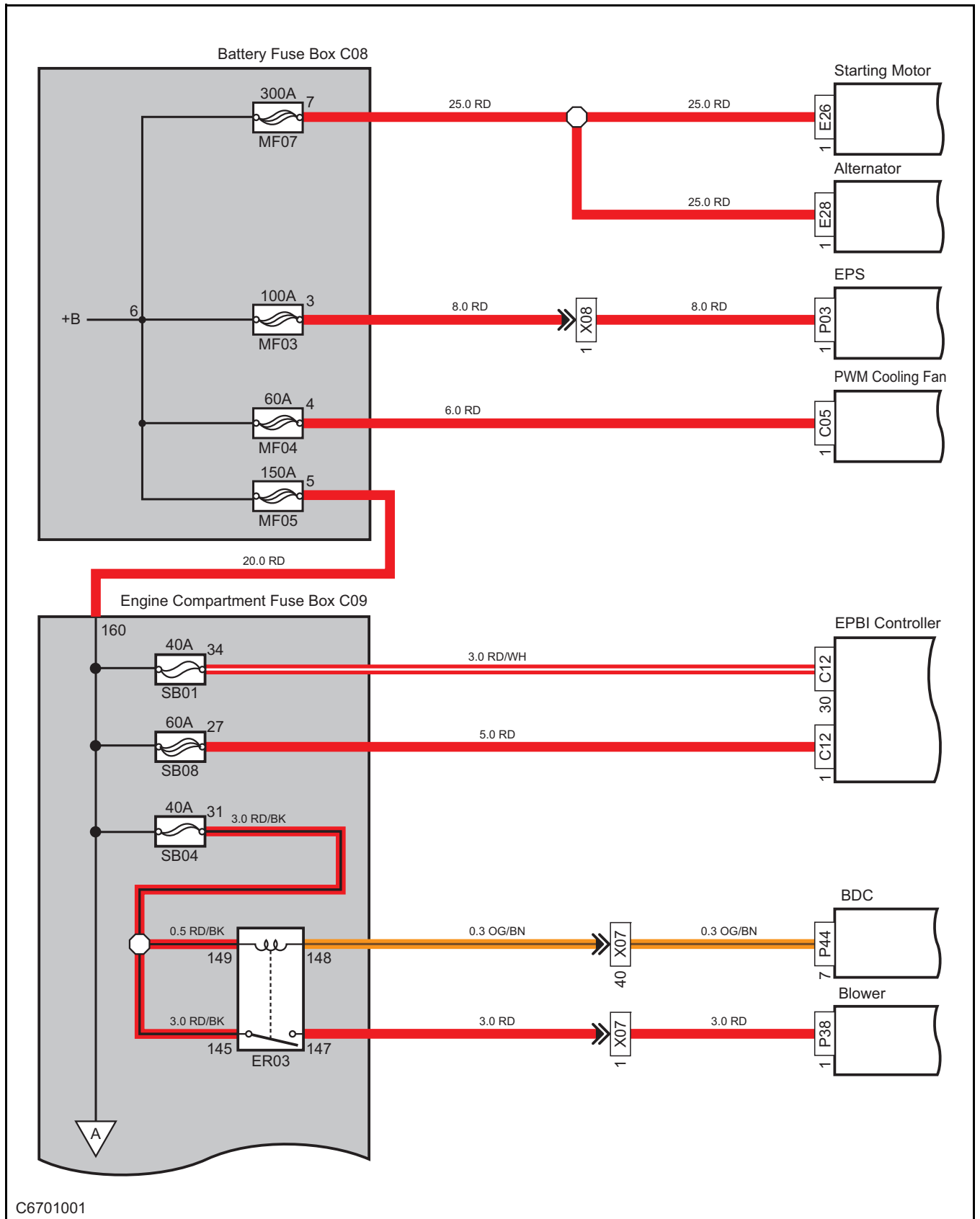


Power Supply Distribution - 9



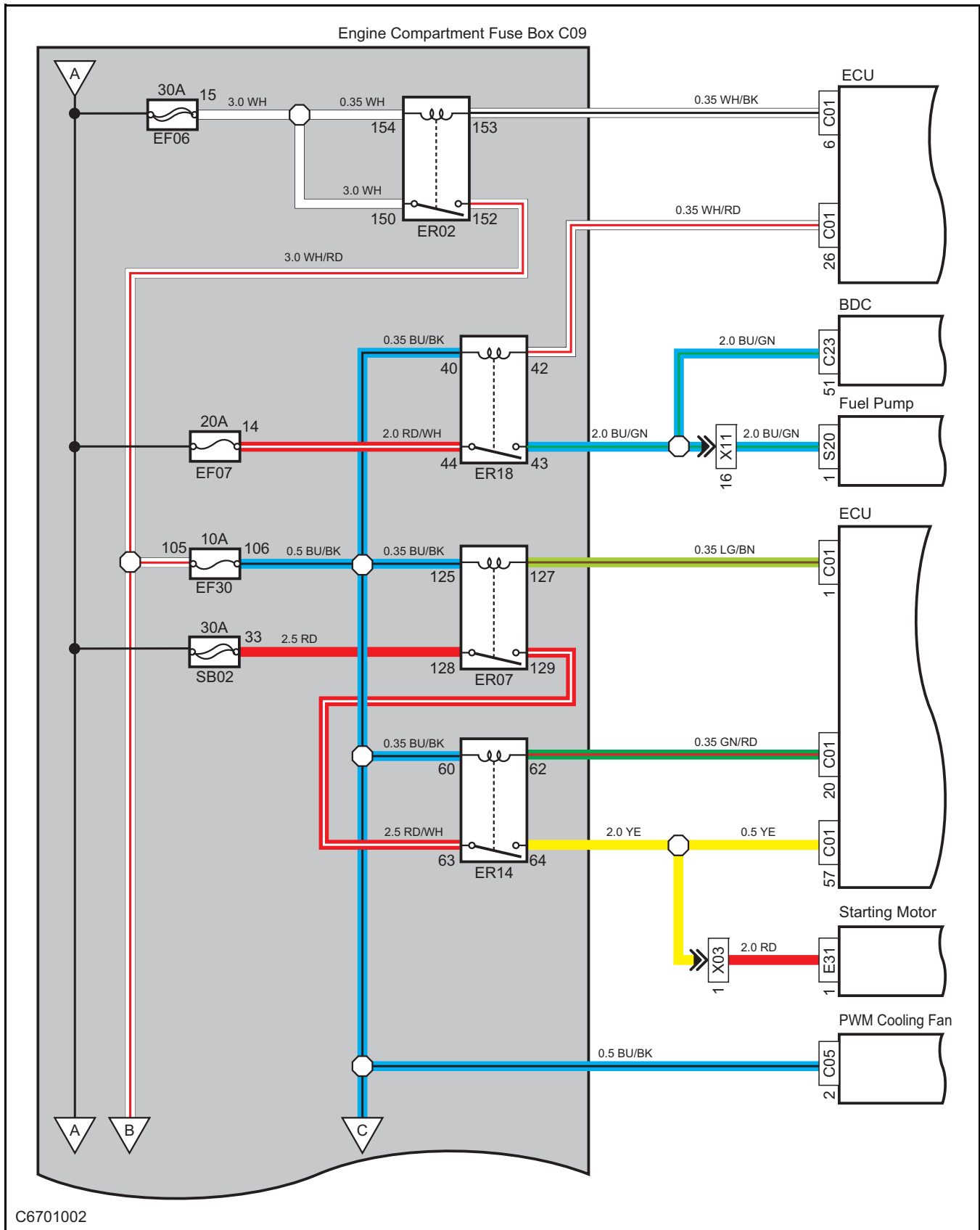
C6601009

MF03 MF04 MF05 MF07 SB01 SB04 SB08 ER03

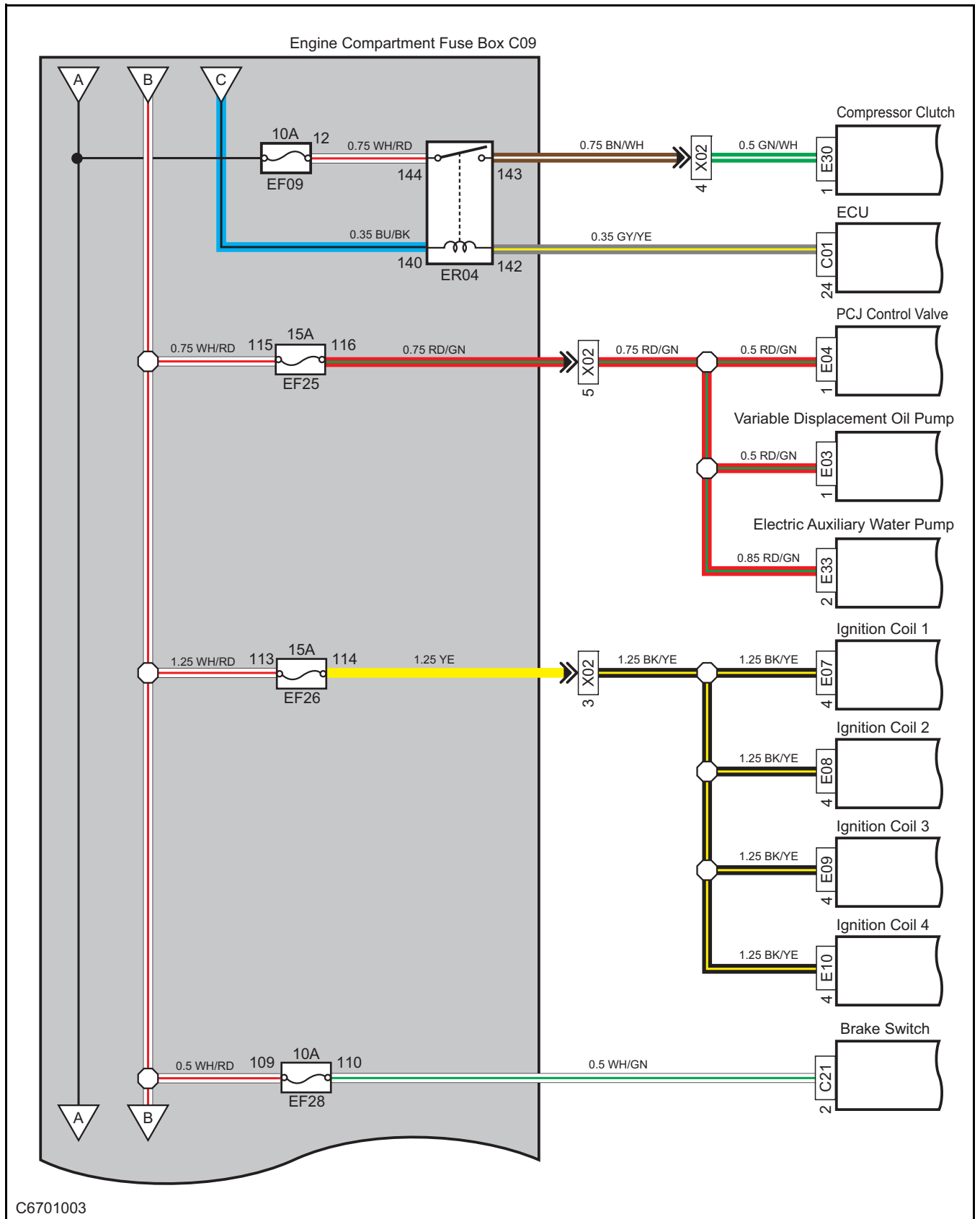


C6701001

EF06 EF07 EF30 SB02 ER02 ER07 ER14 ER18

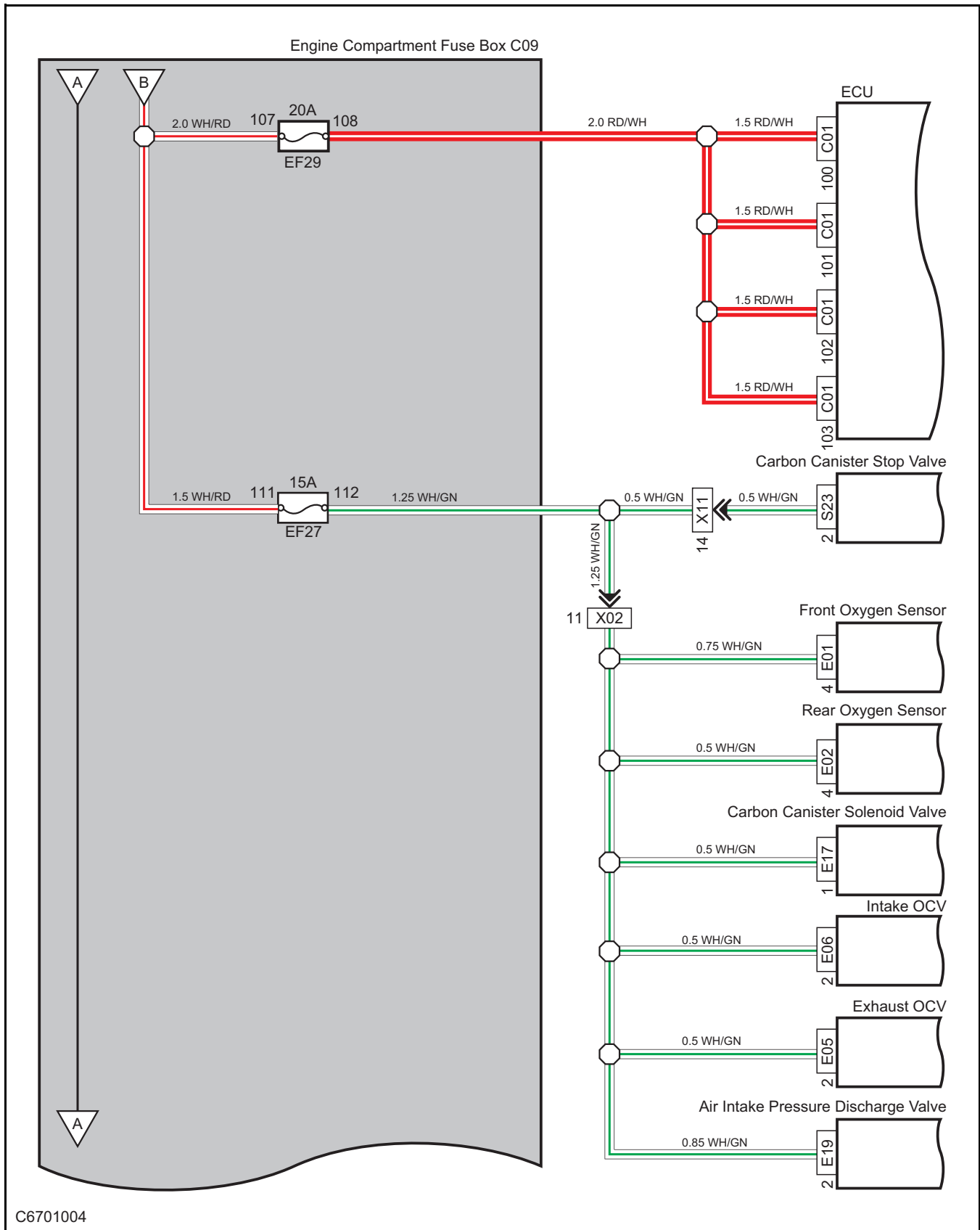


EF09 EF25 EF26 EF28 ER04



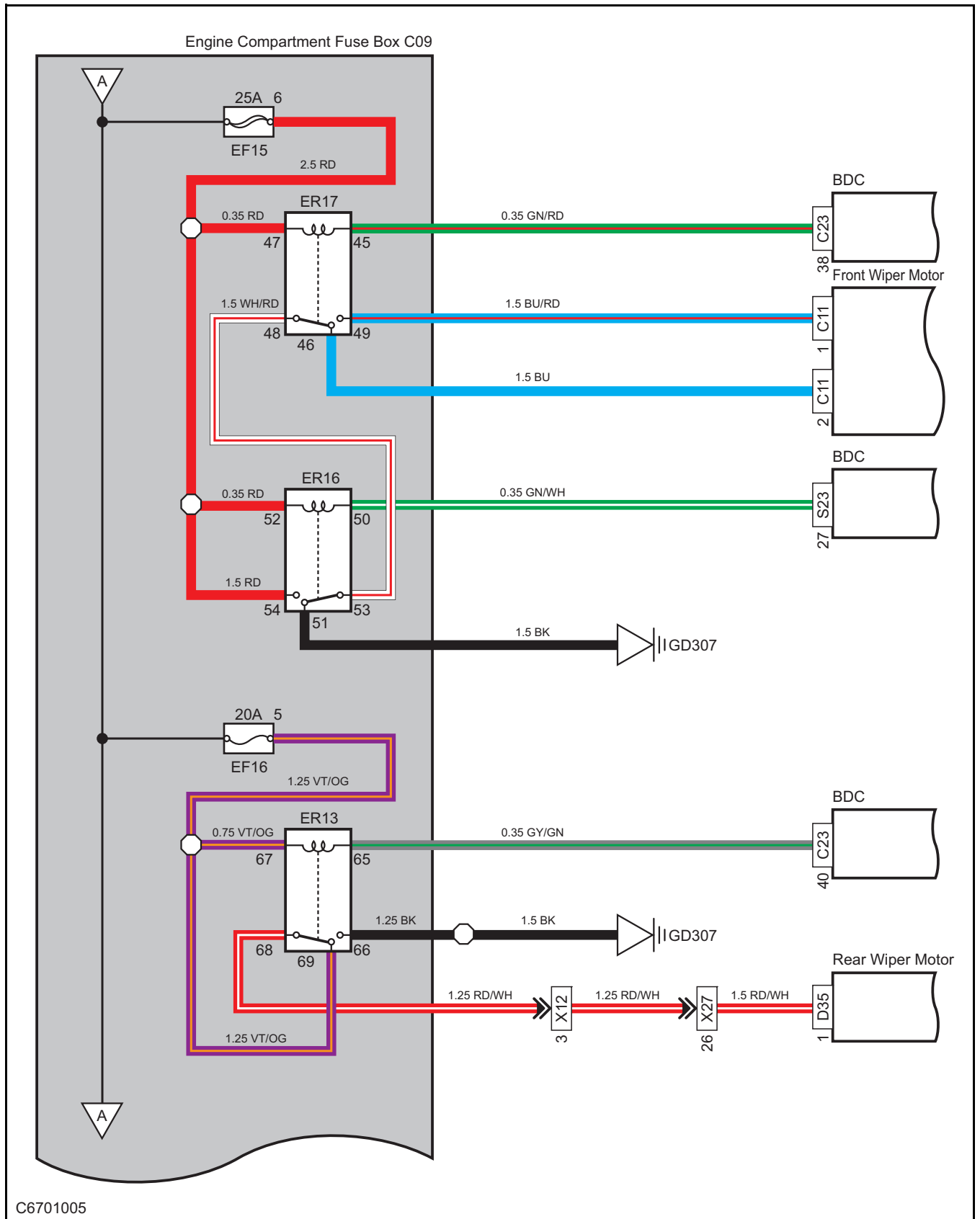
C6701003

EF27 EF29



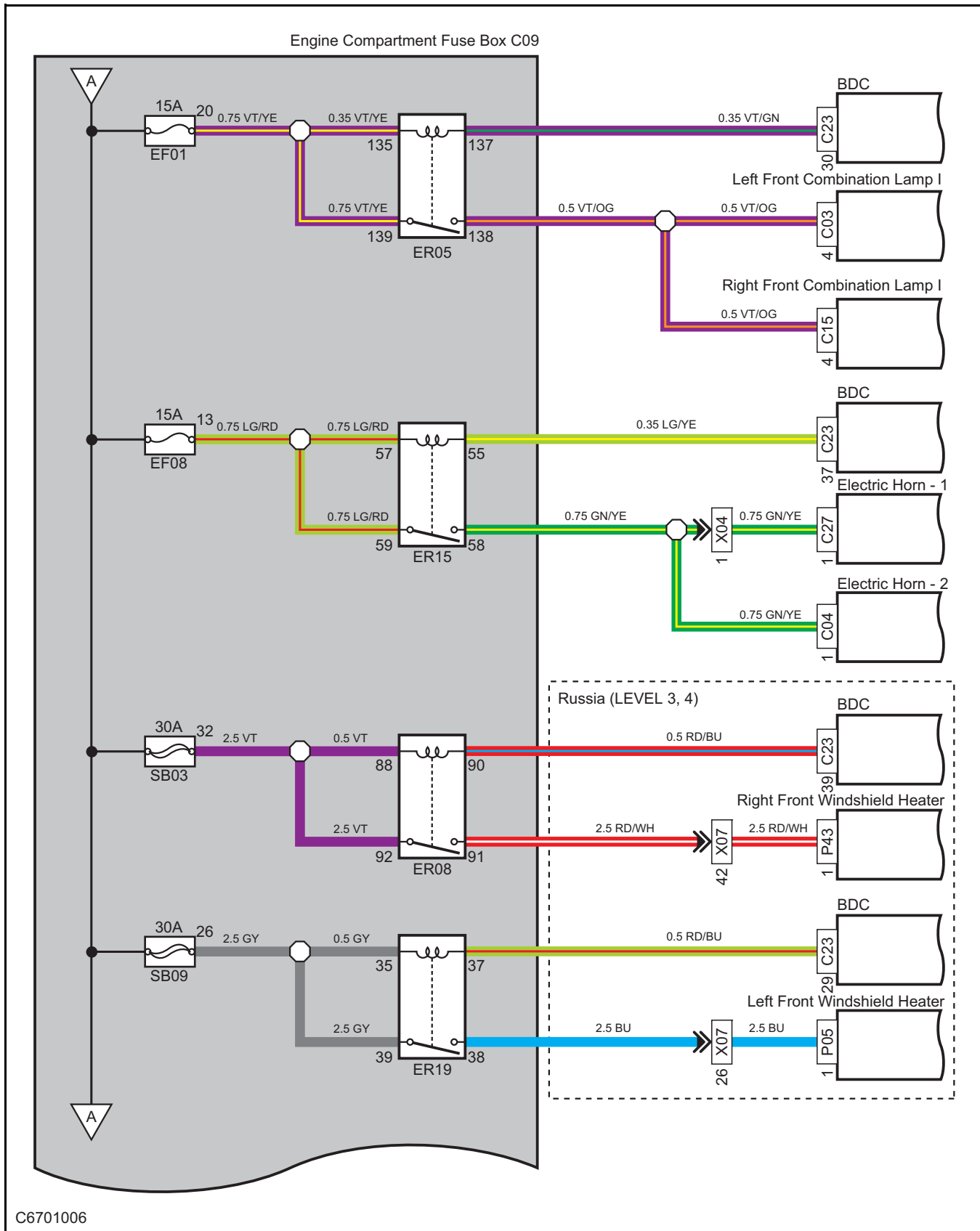
C6701004

EF15 EF16 ER13 ER16 ER17

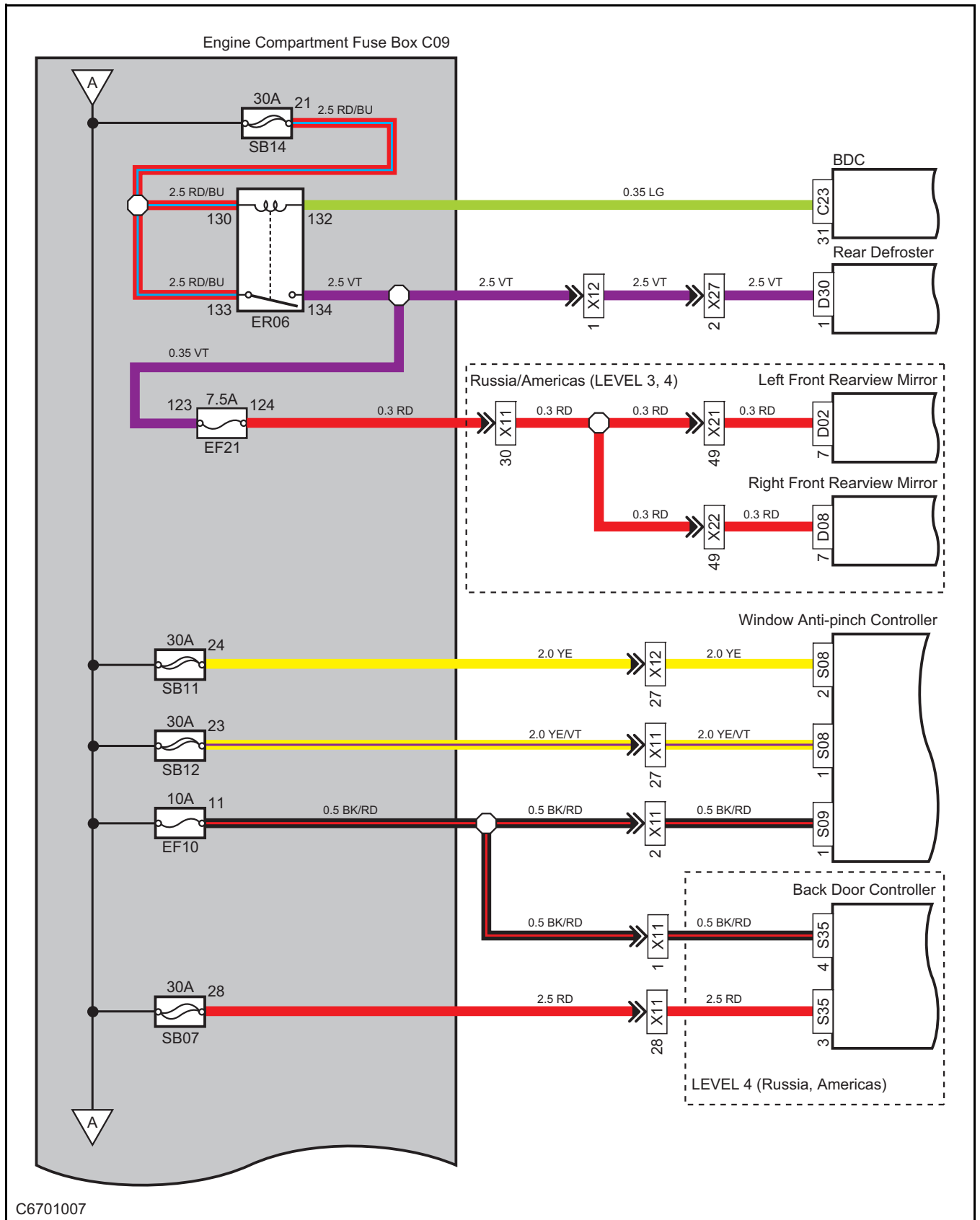


C6701005

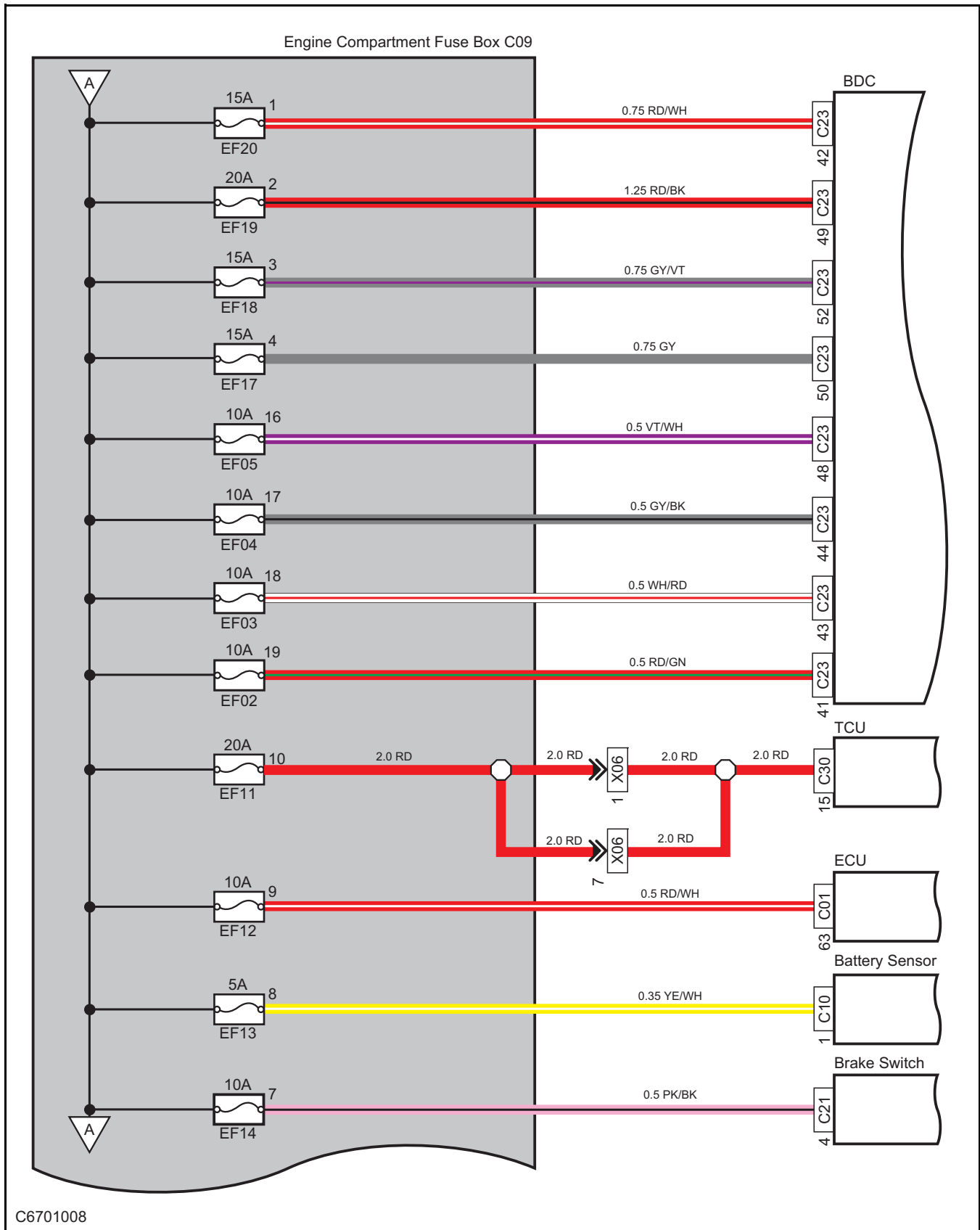
EF01 EF08 SB03 SB09 ER05 ER08 ER15 ER19



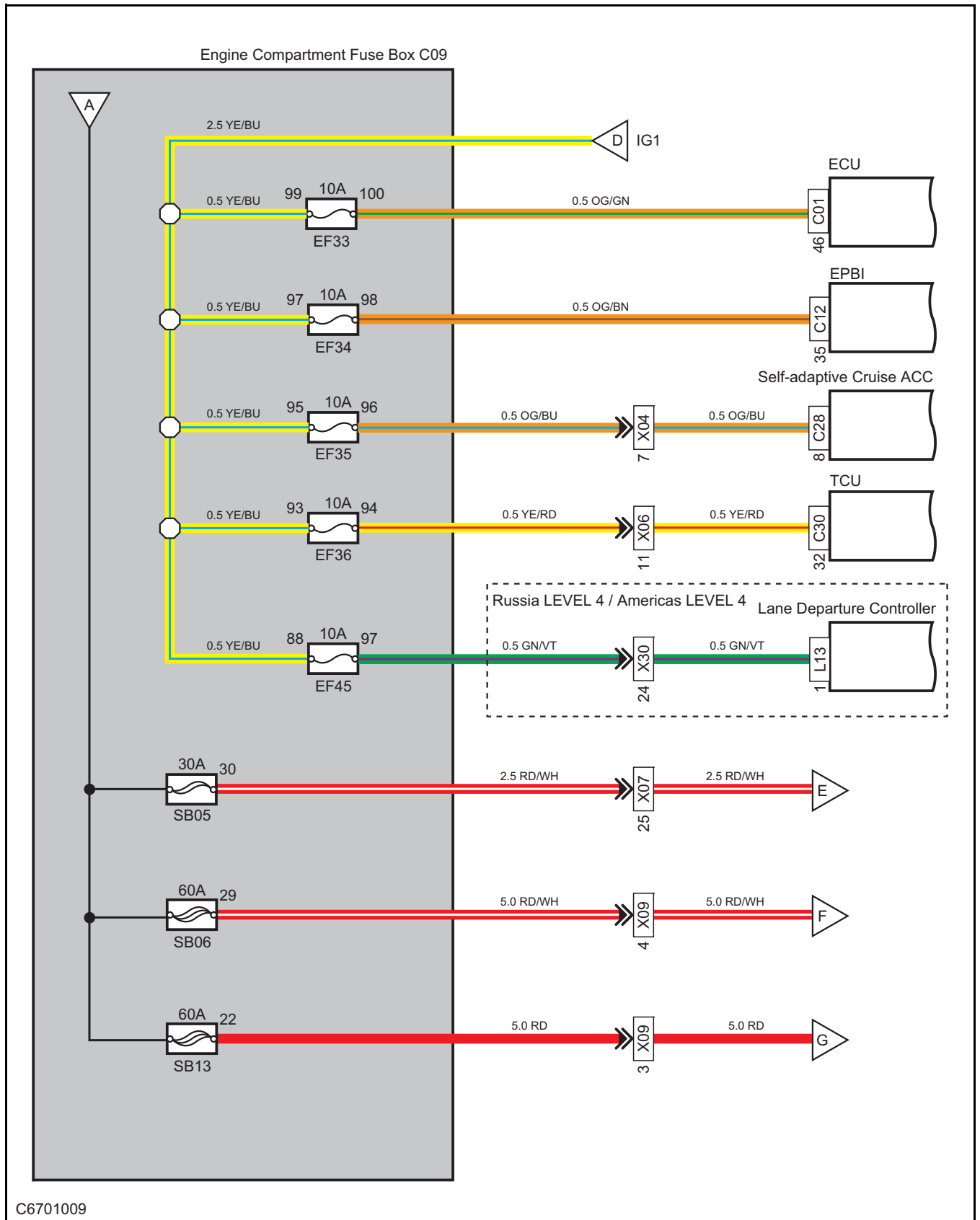
EF10 EF21 SB07 SB10 SB11 SB12 SB14 ER06



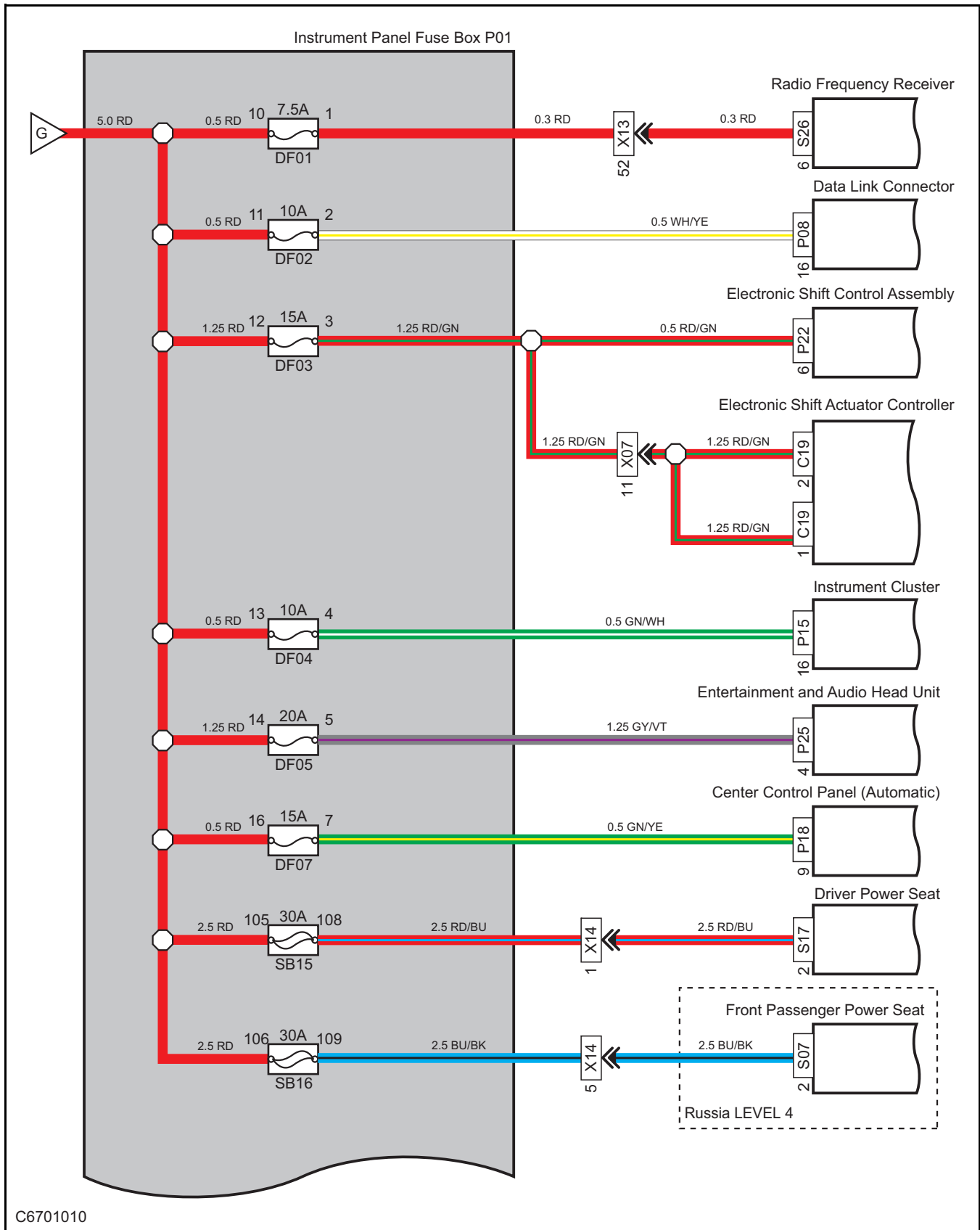
EF02 EF03 EF04 EF05 EF11 EF12 EF13 EF14 EF17 EF18 EF19 EF20



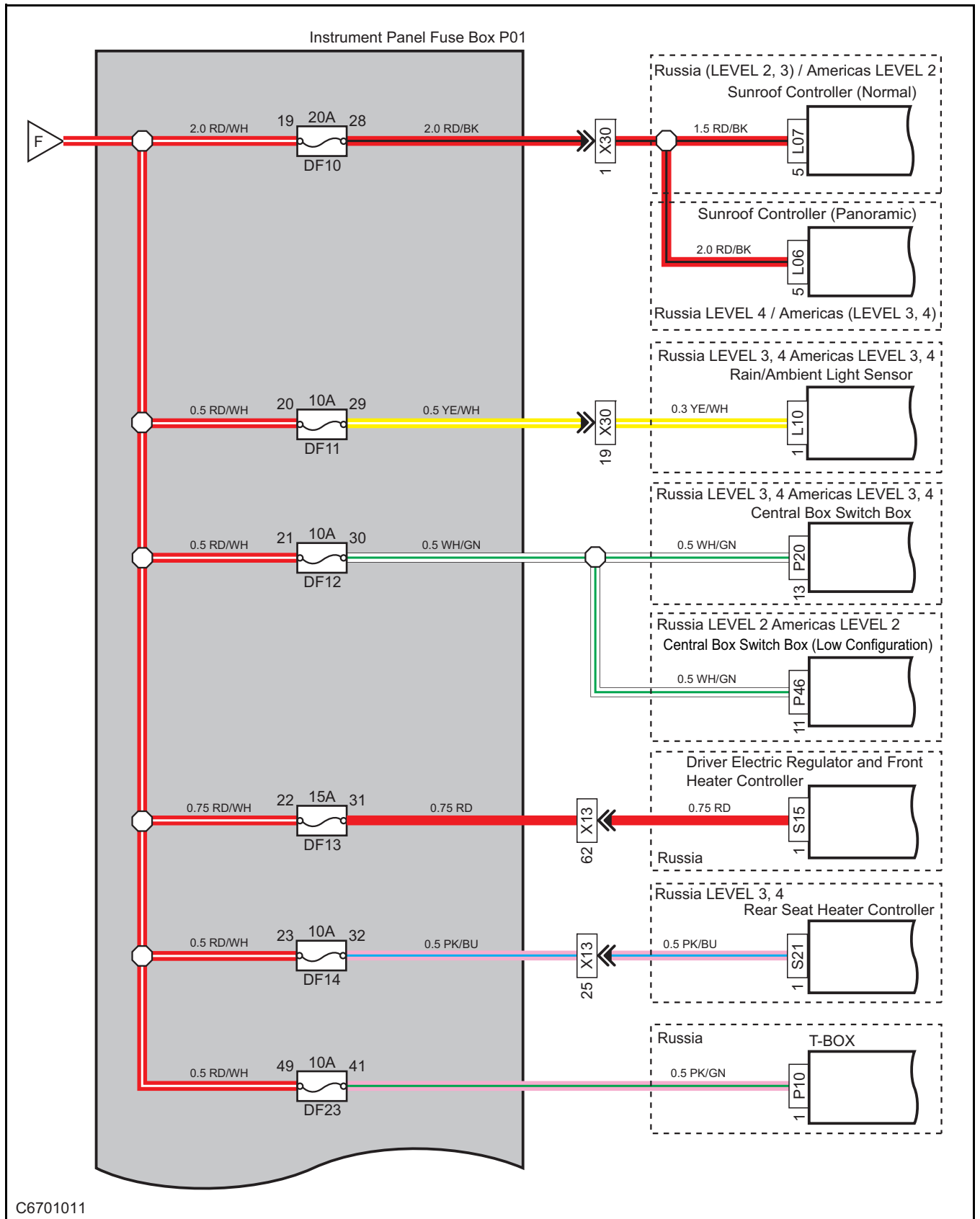
EF33 EF34 EF35 EF36 EF45 SB05 SB06 SB13



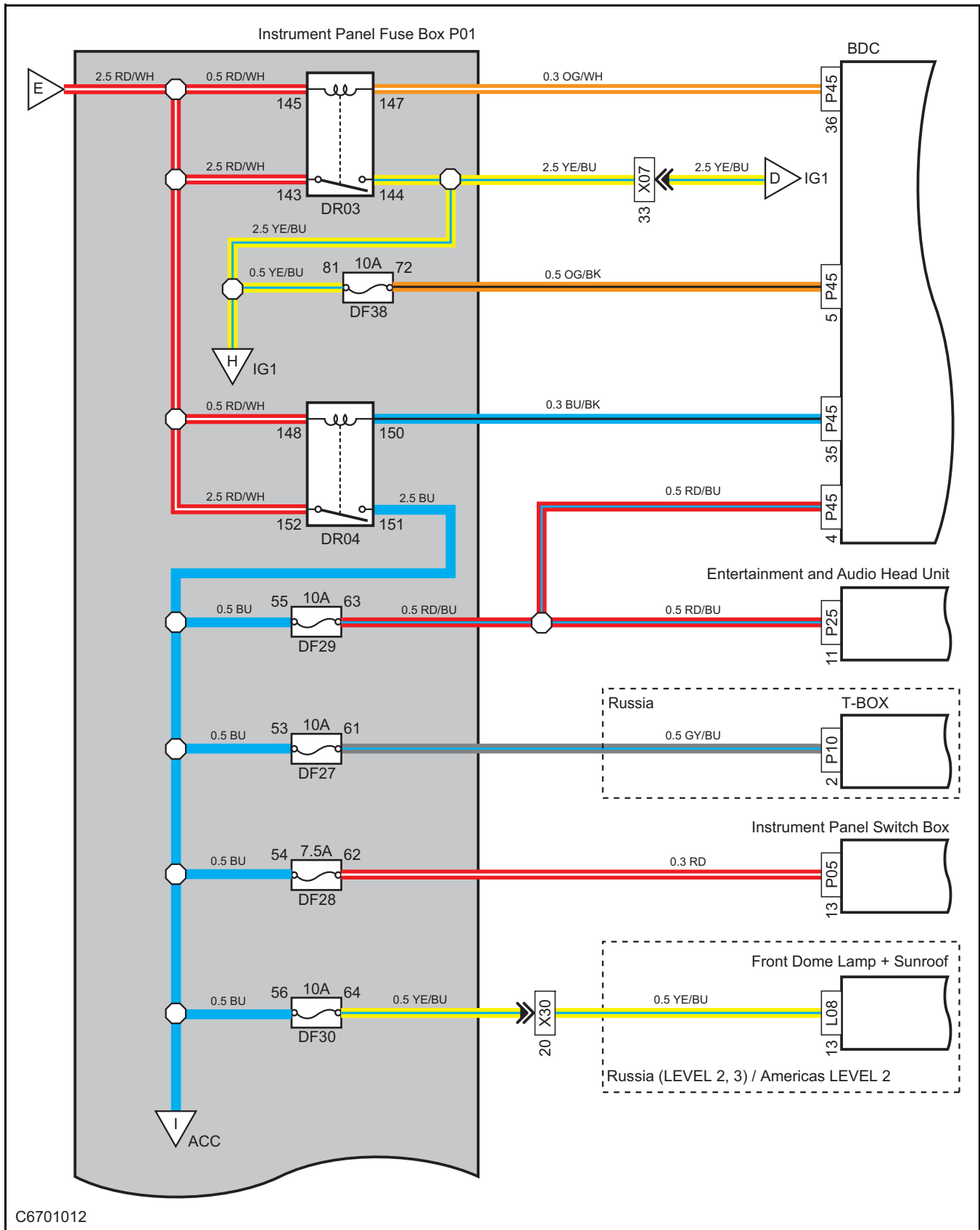
DF01 DF02 DF03 DF04 DF05 DF07 SB15 SB16



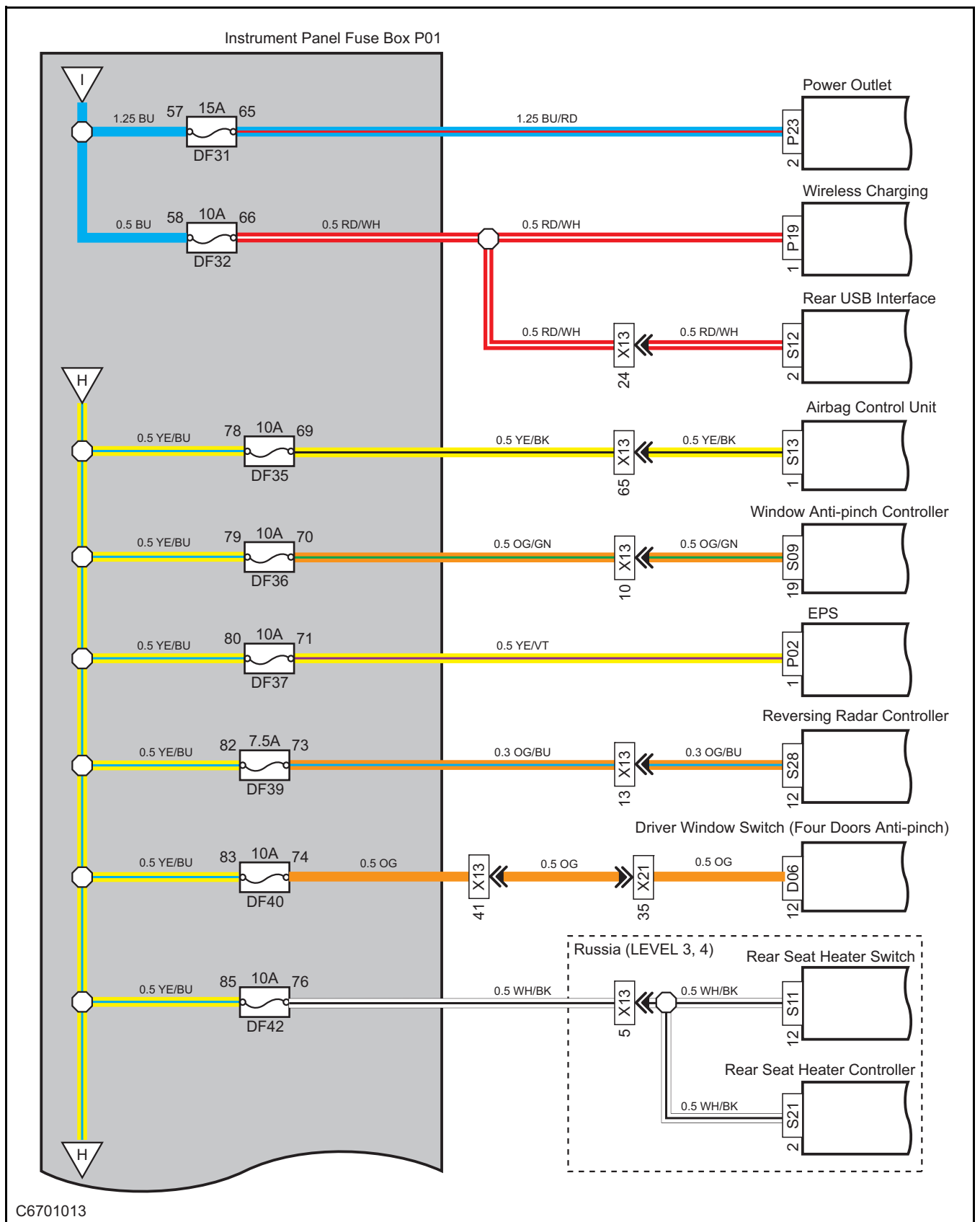
DF10 DF11 DF12 DF13 DF14 DF23



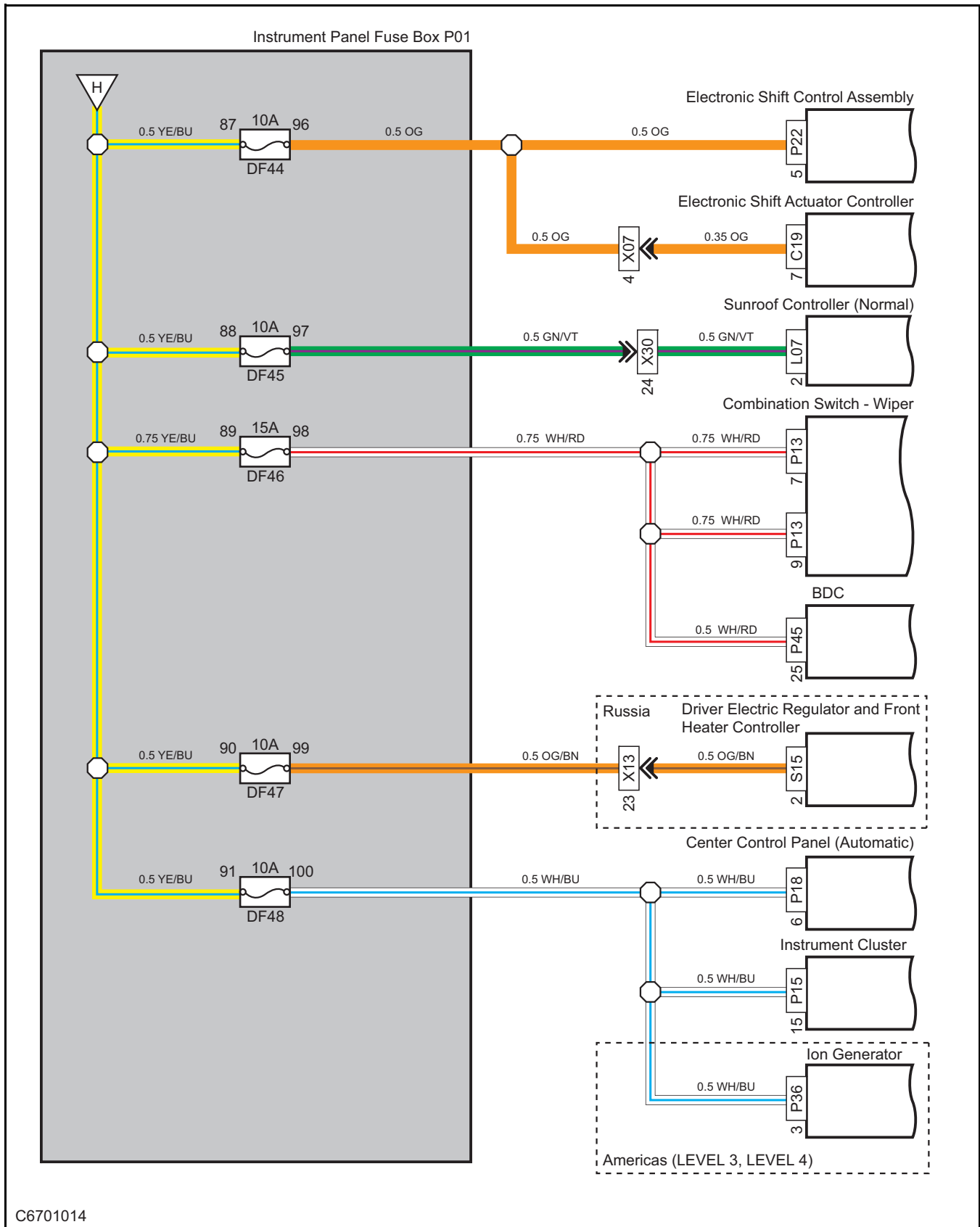
DF27 DF28 DF29 DF30 DF38 DR03 DR04



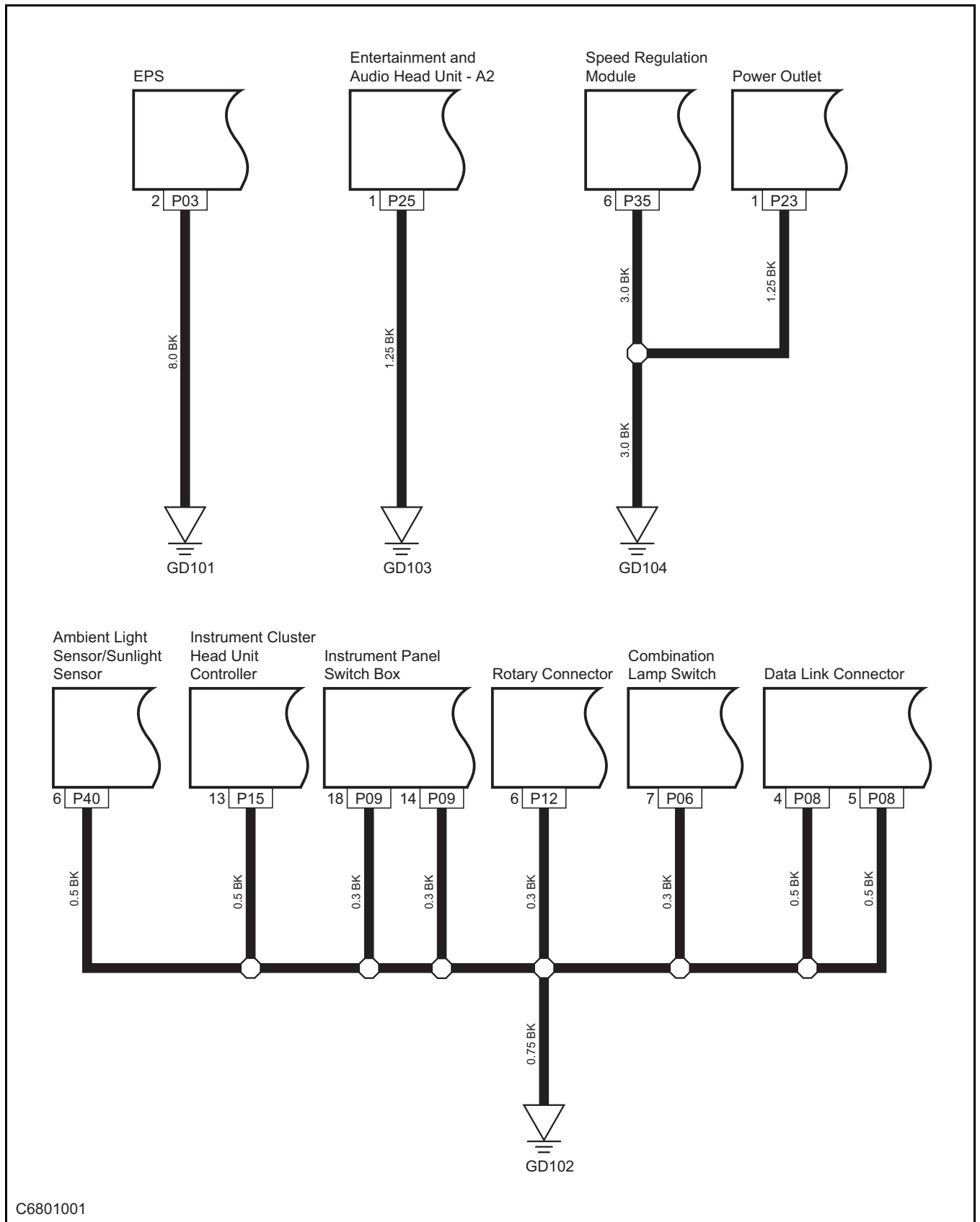
DF31 DF32 DF35 DF36 DF37 DF39 DF40 DF42



DF44 DF45 DF46 DF47 DF48

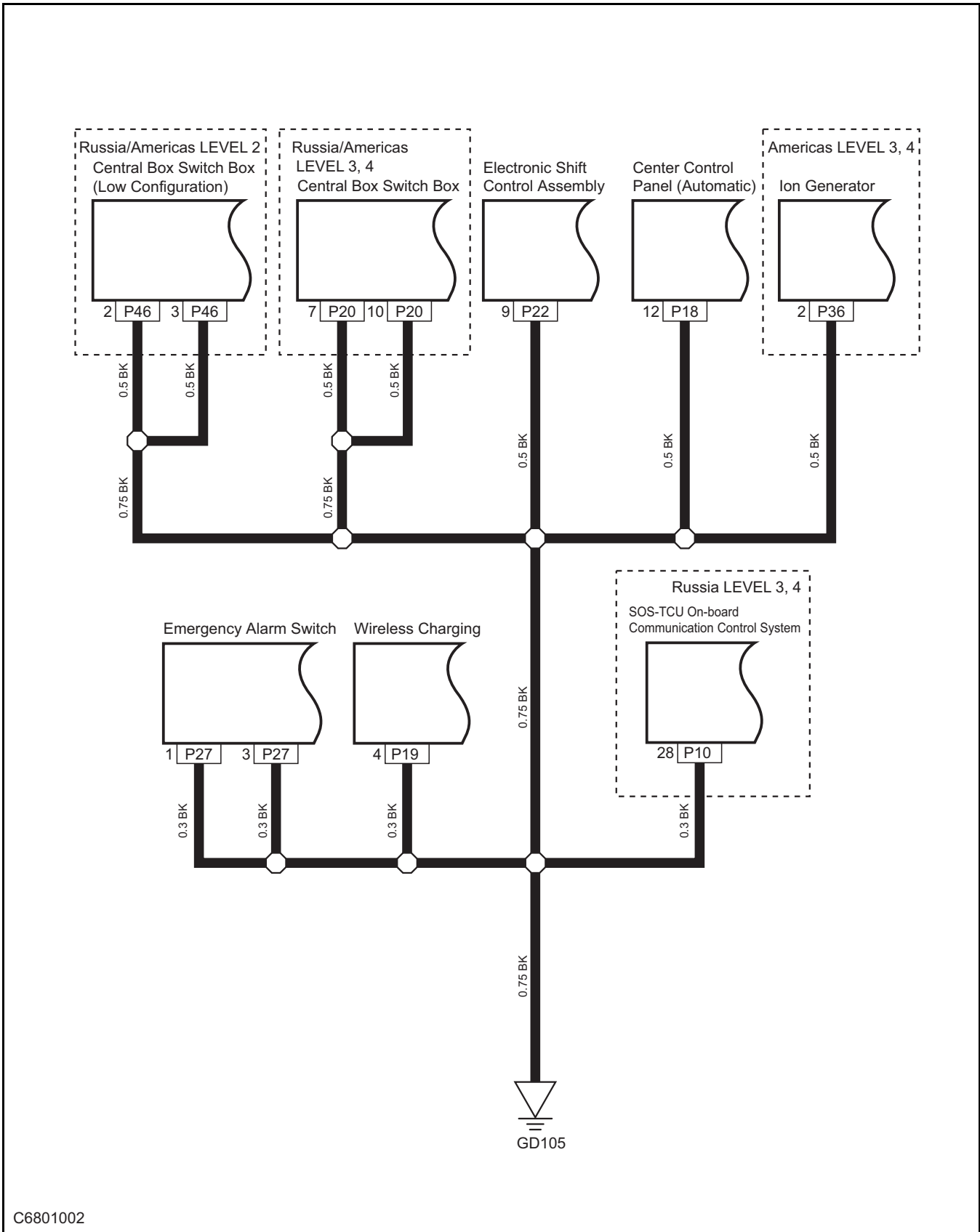


GD101 GD102 GD103 GD104



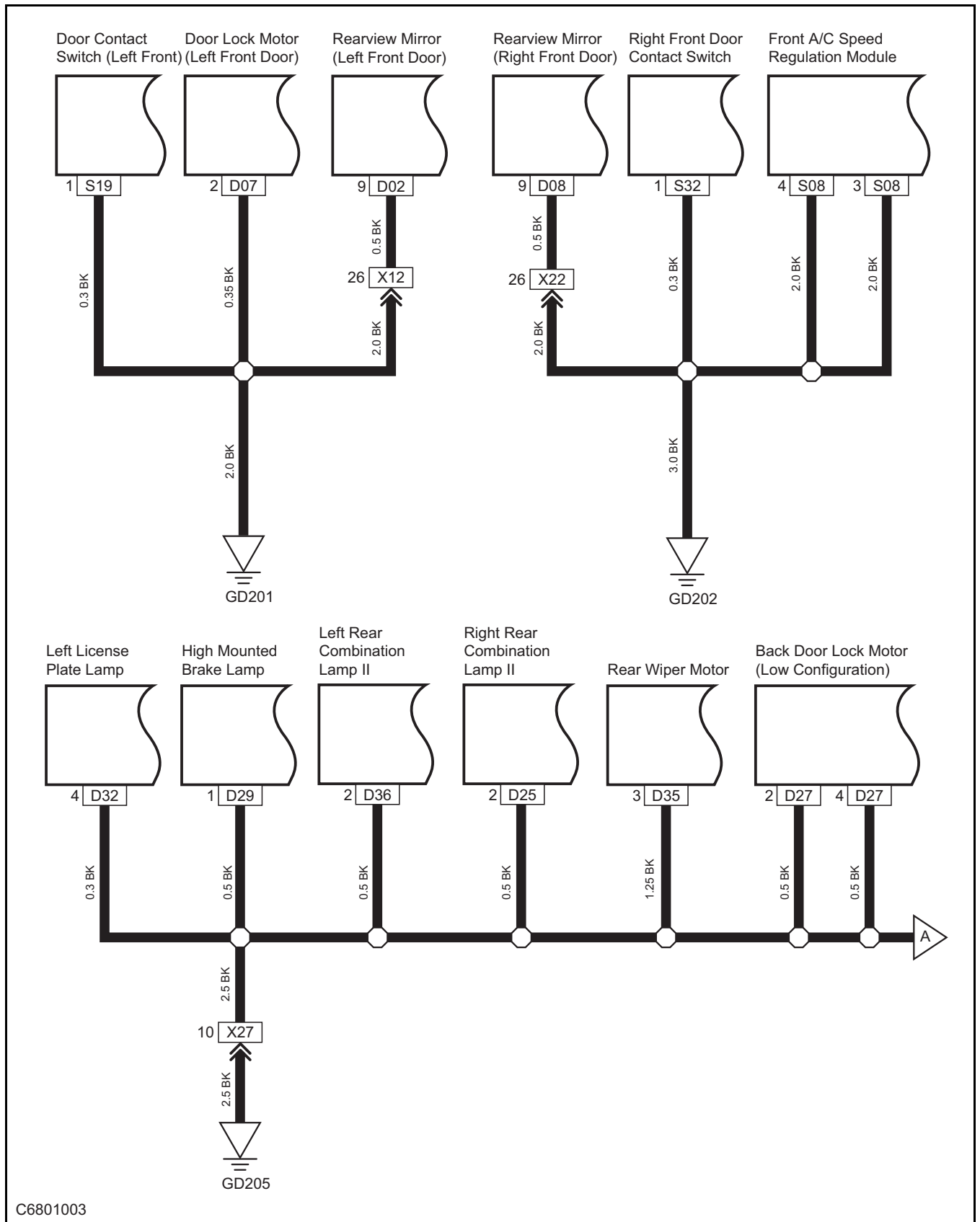
C6801001

GD105

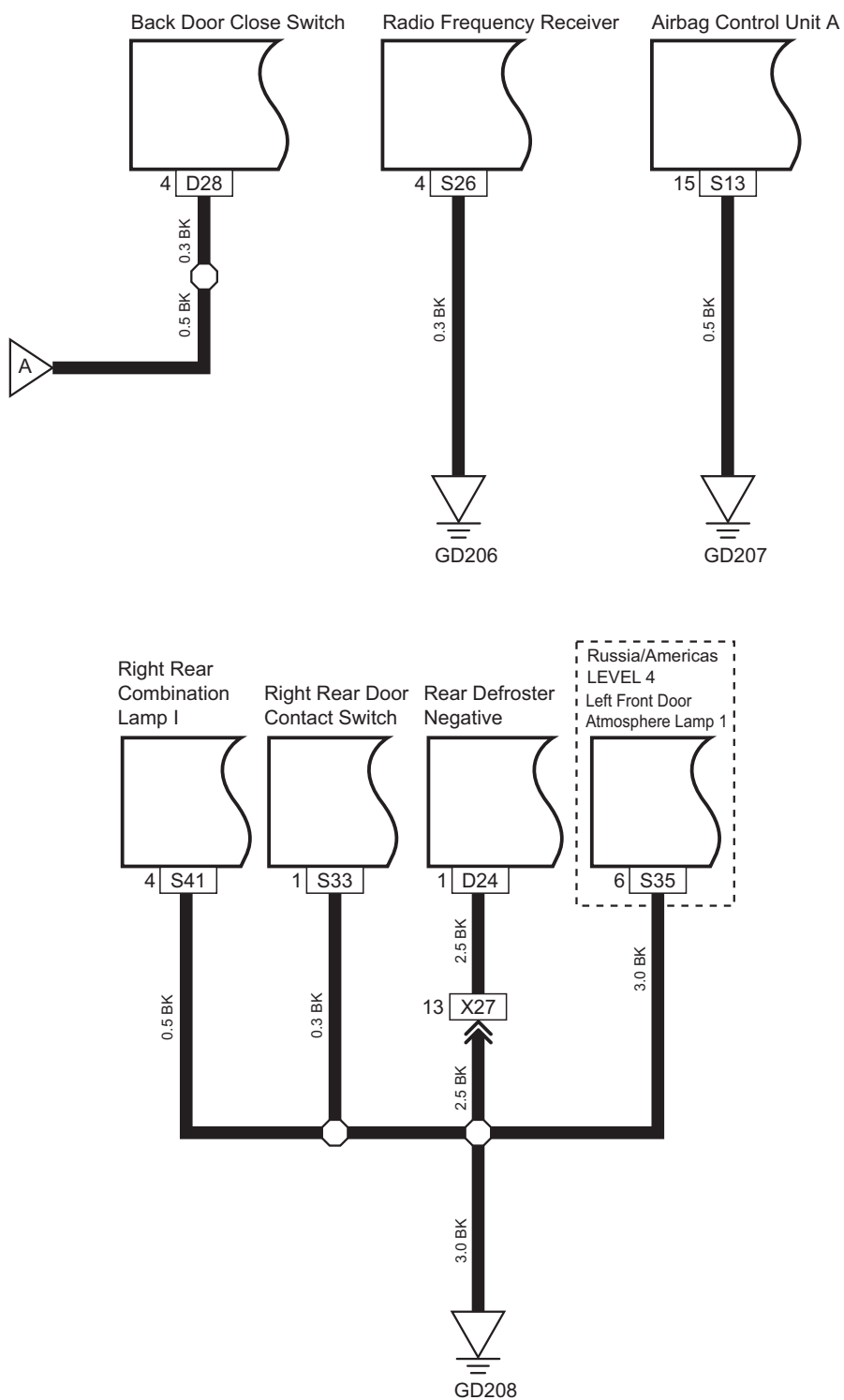


C6801002

GD201 GD202 GD205

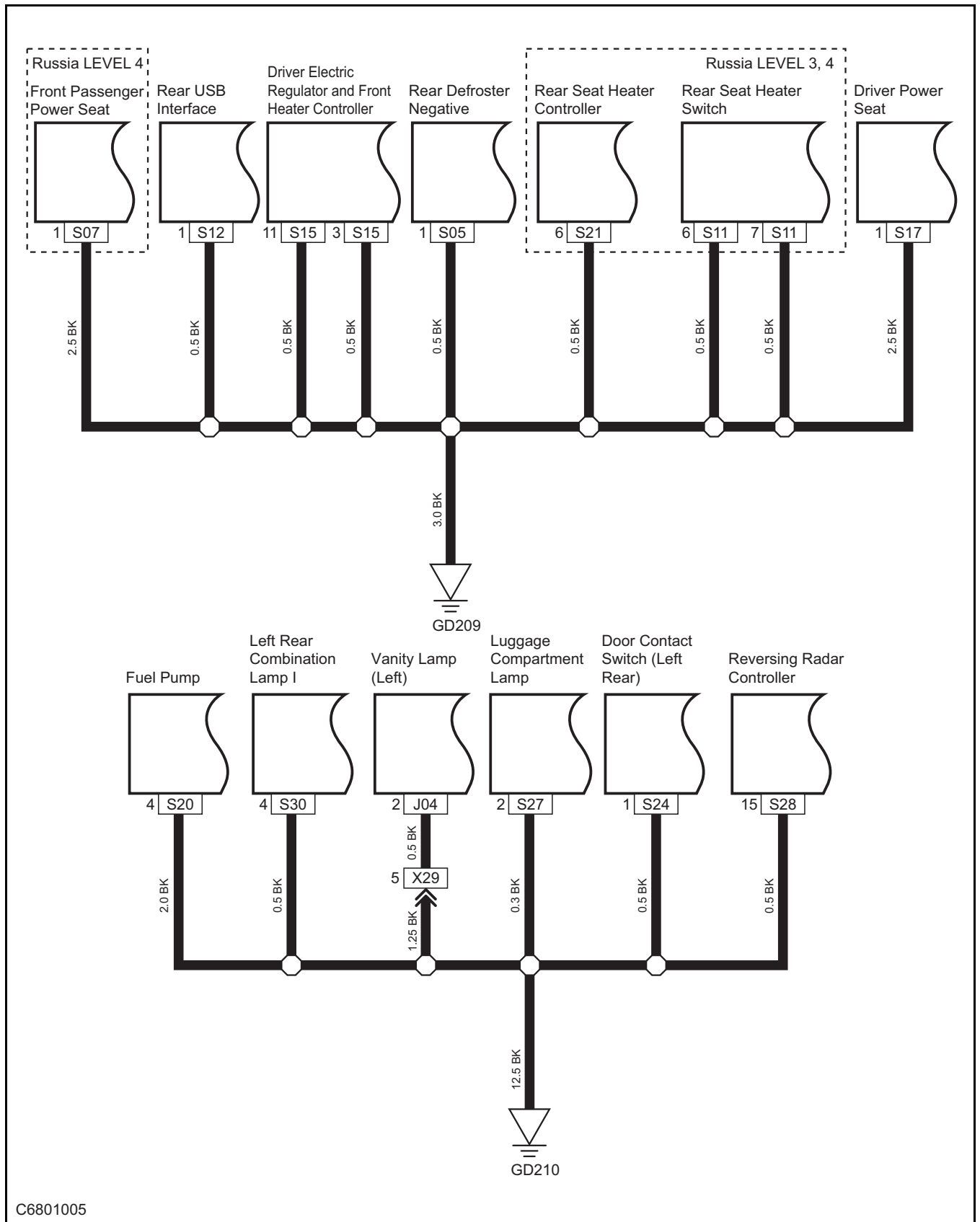


GD206 GD207 GD208



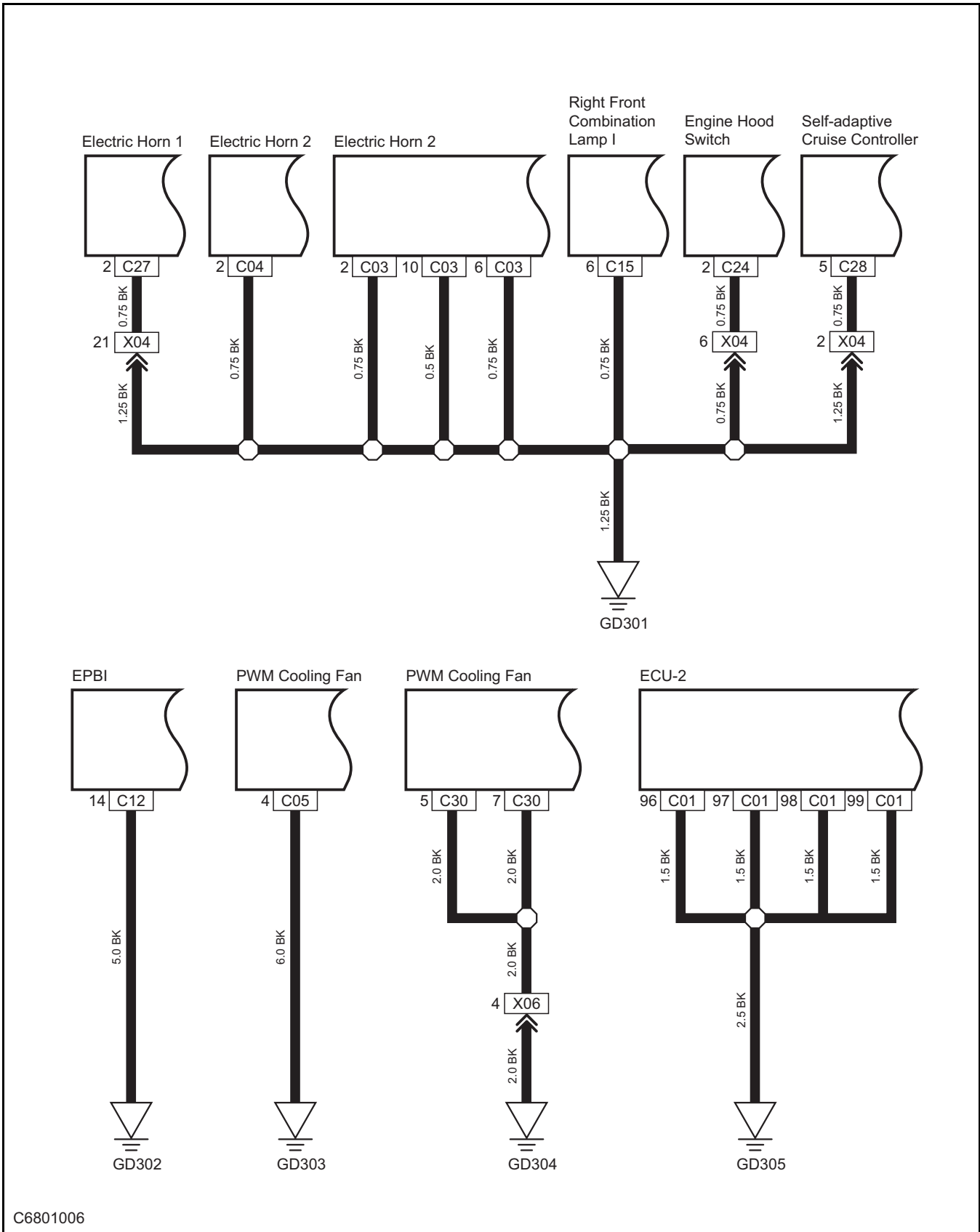
C6801004

GD209 GD210



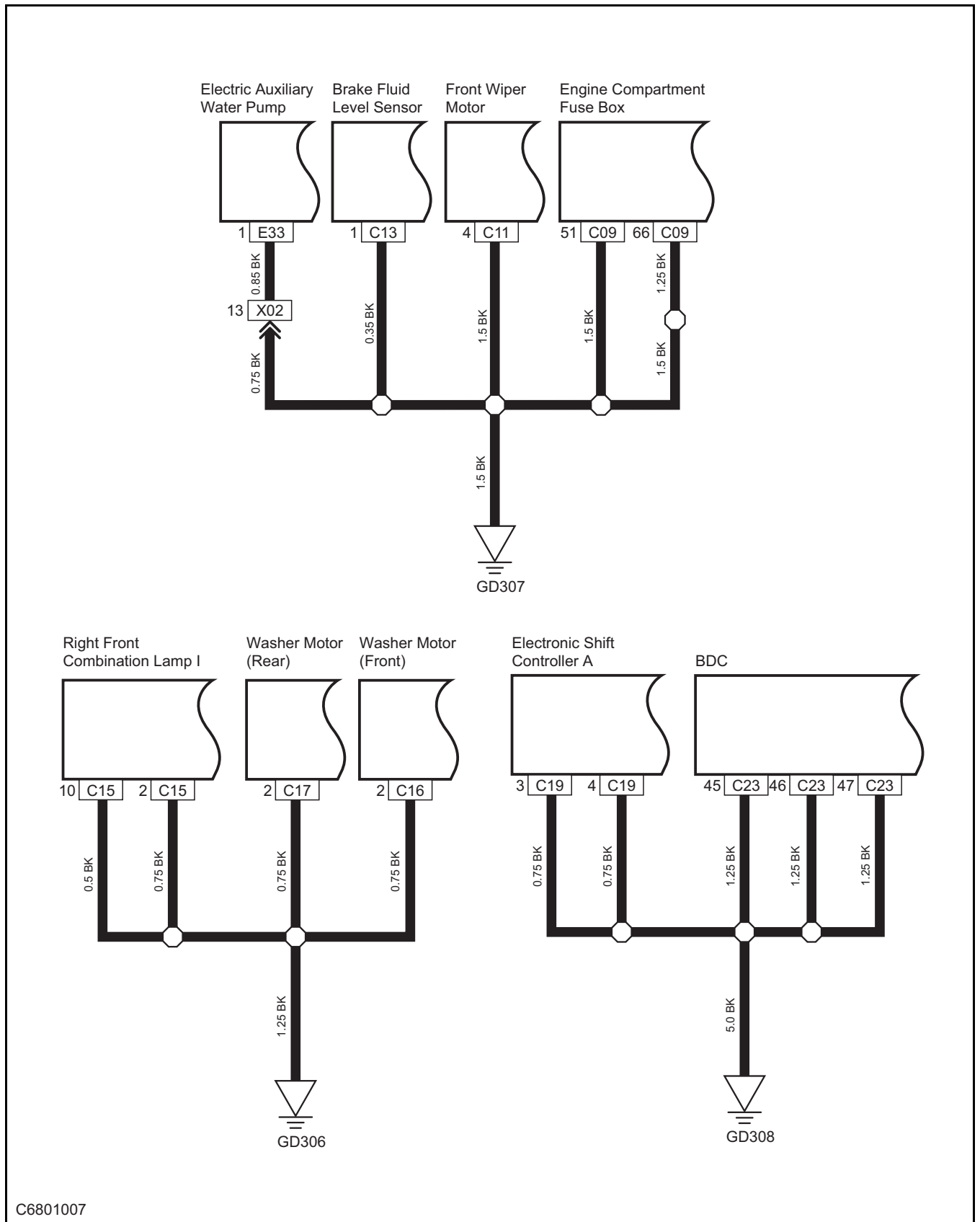
C6801005

GD301 GD302 GD303 GD304 GD305



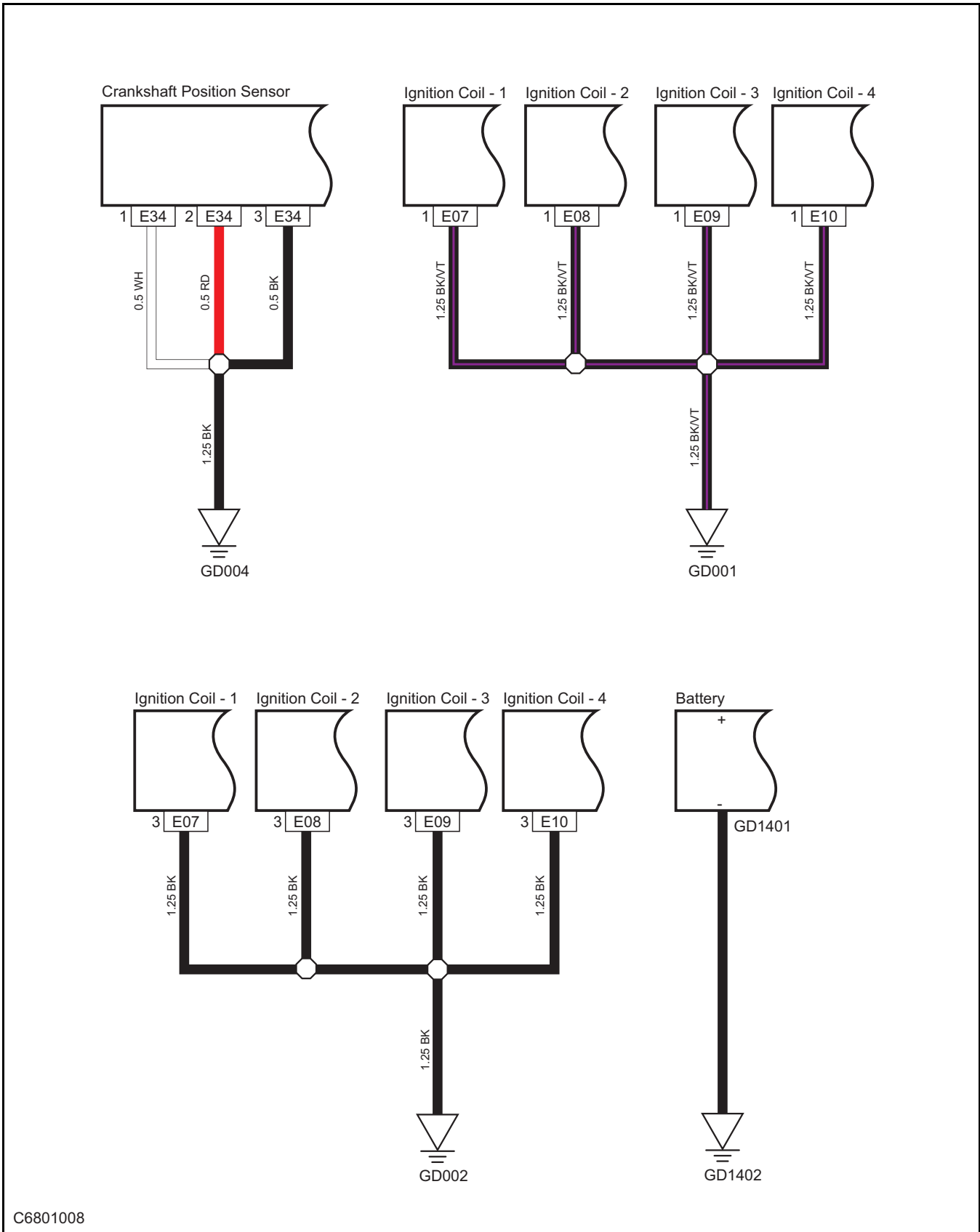
C6801006

GD306 GD307 GD308

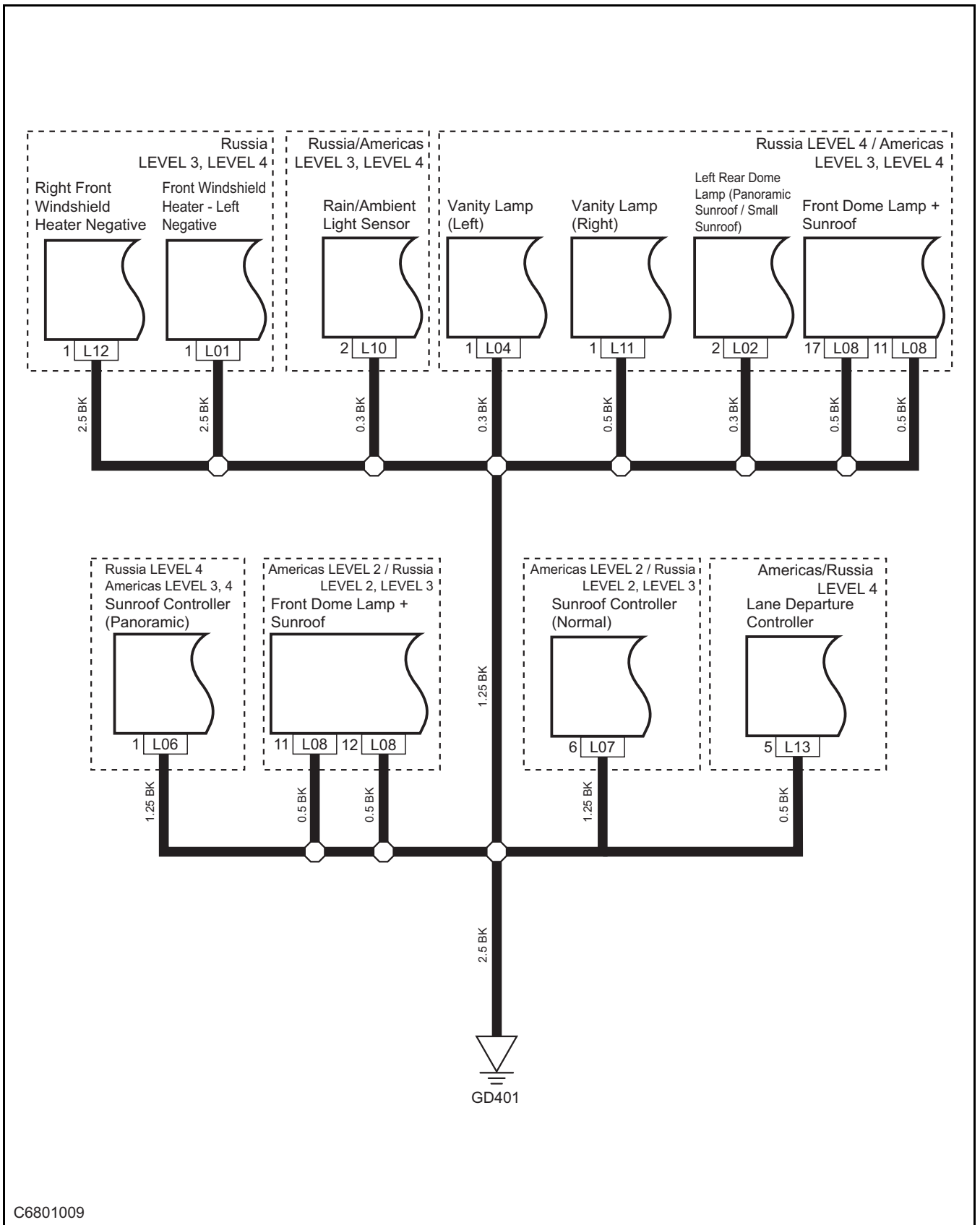


C6801007

GD004 GD001 GD002 GD1402

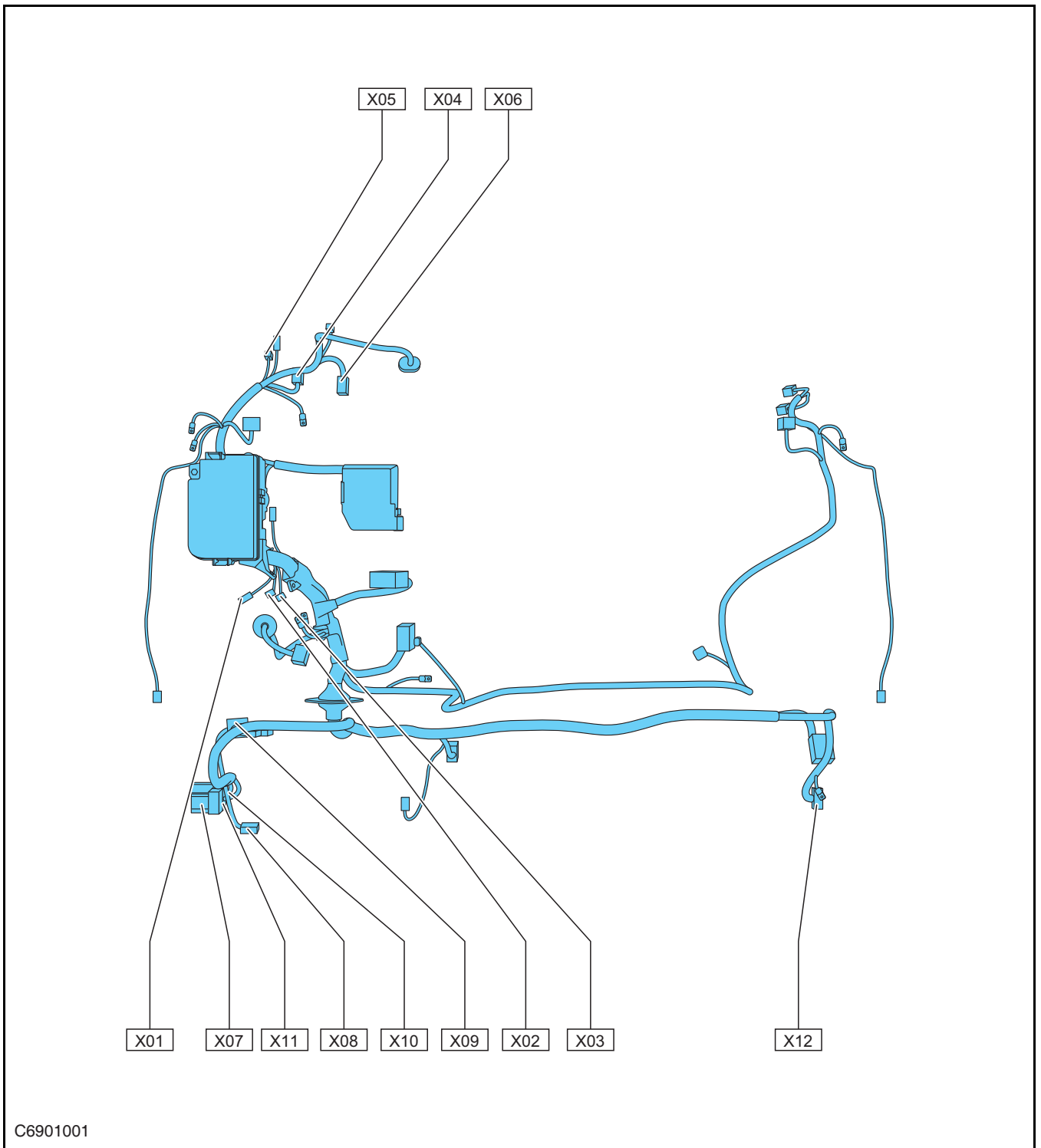


GD401

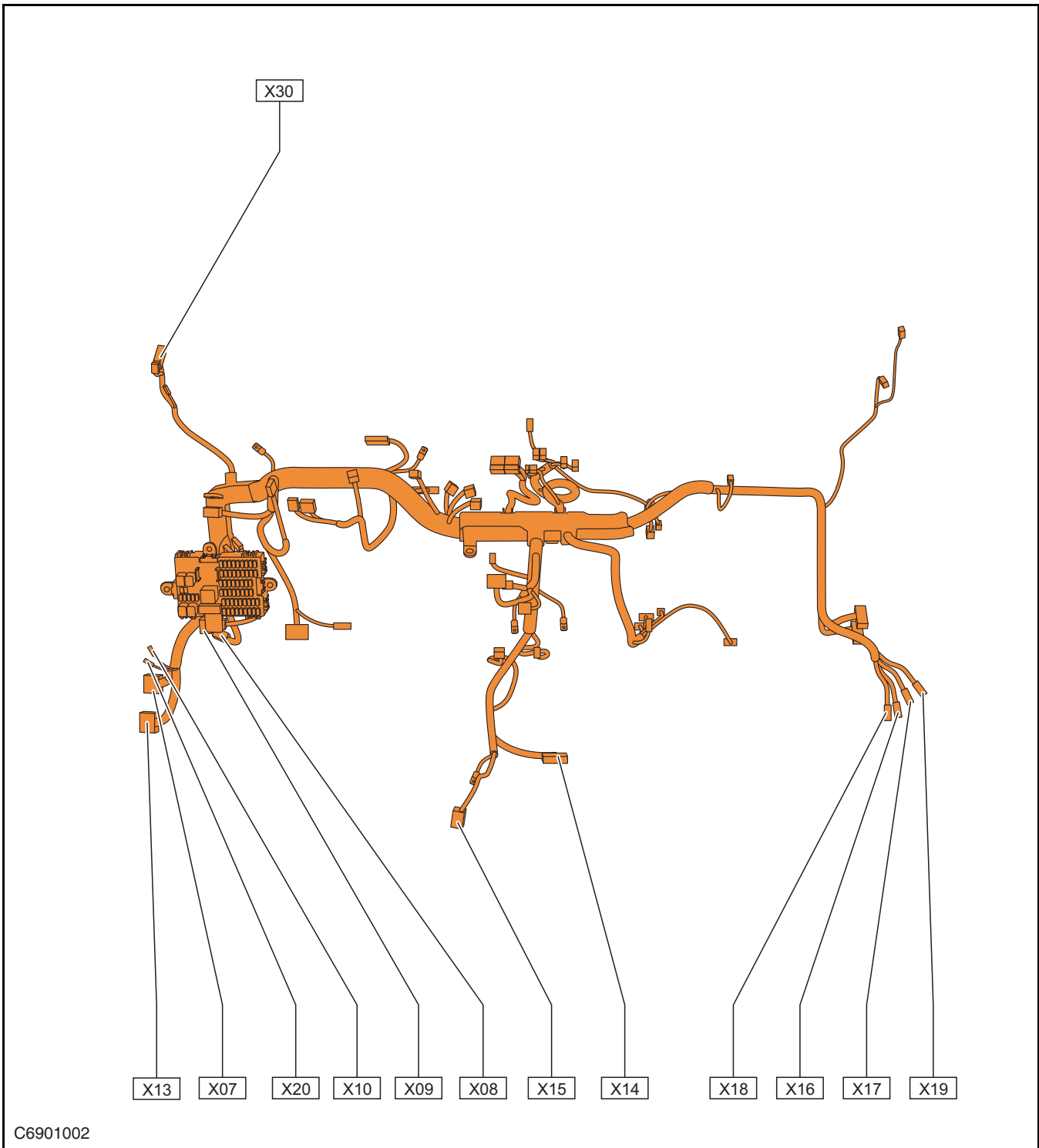


C6801009

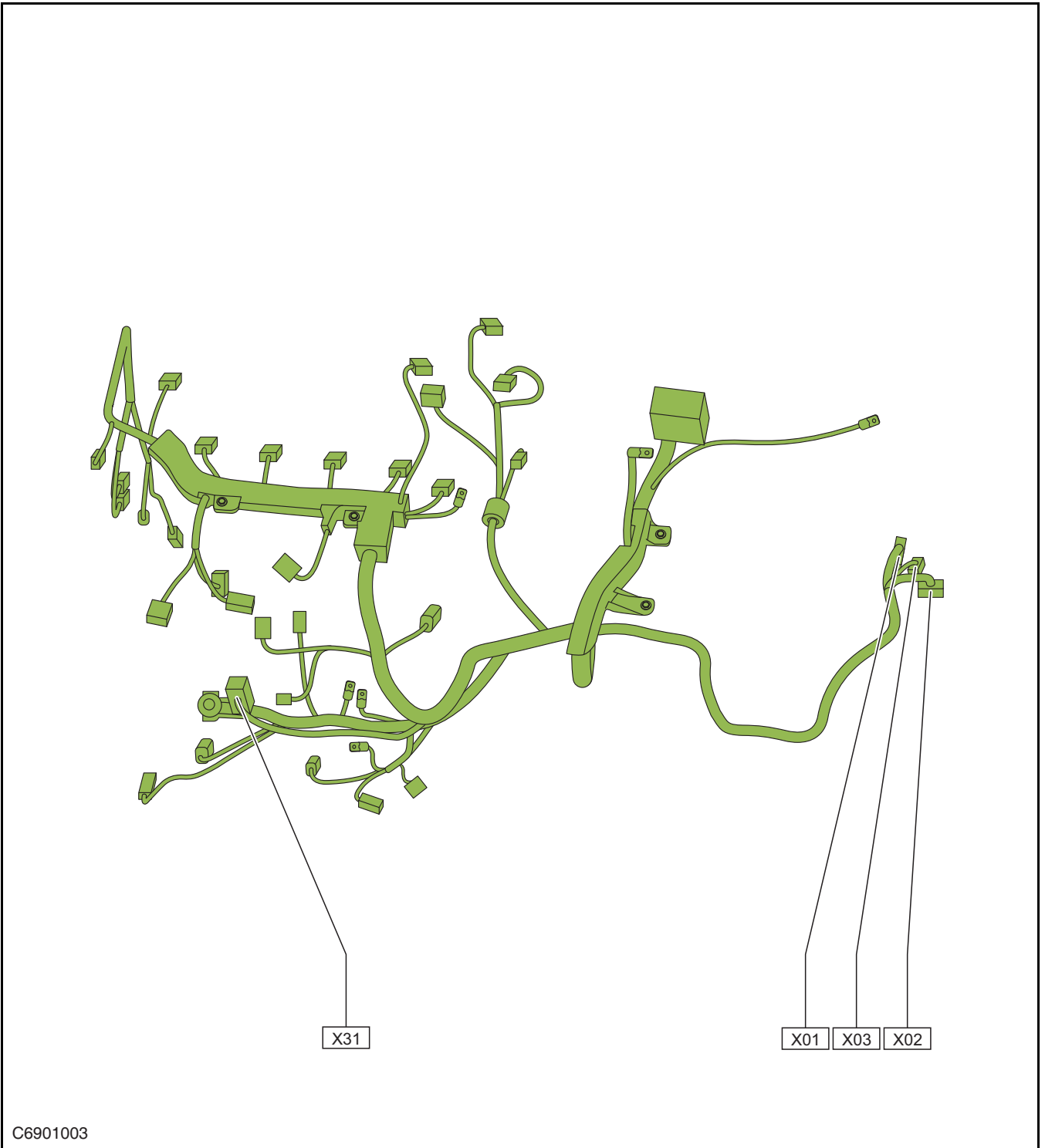
Wiring Harness to Wiring Harness (X--)

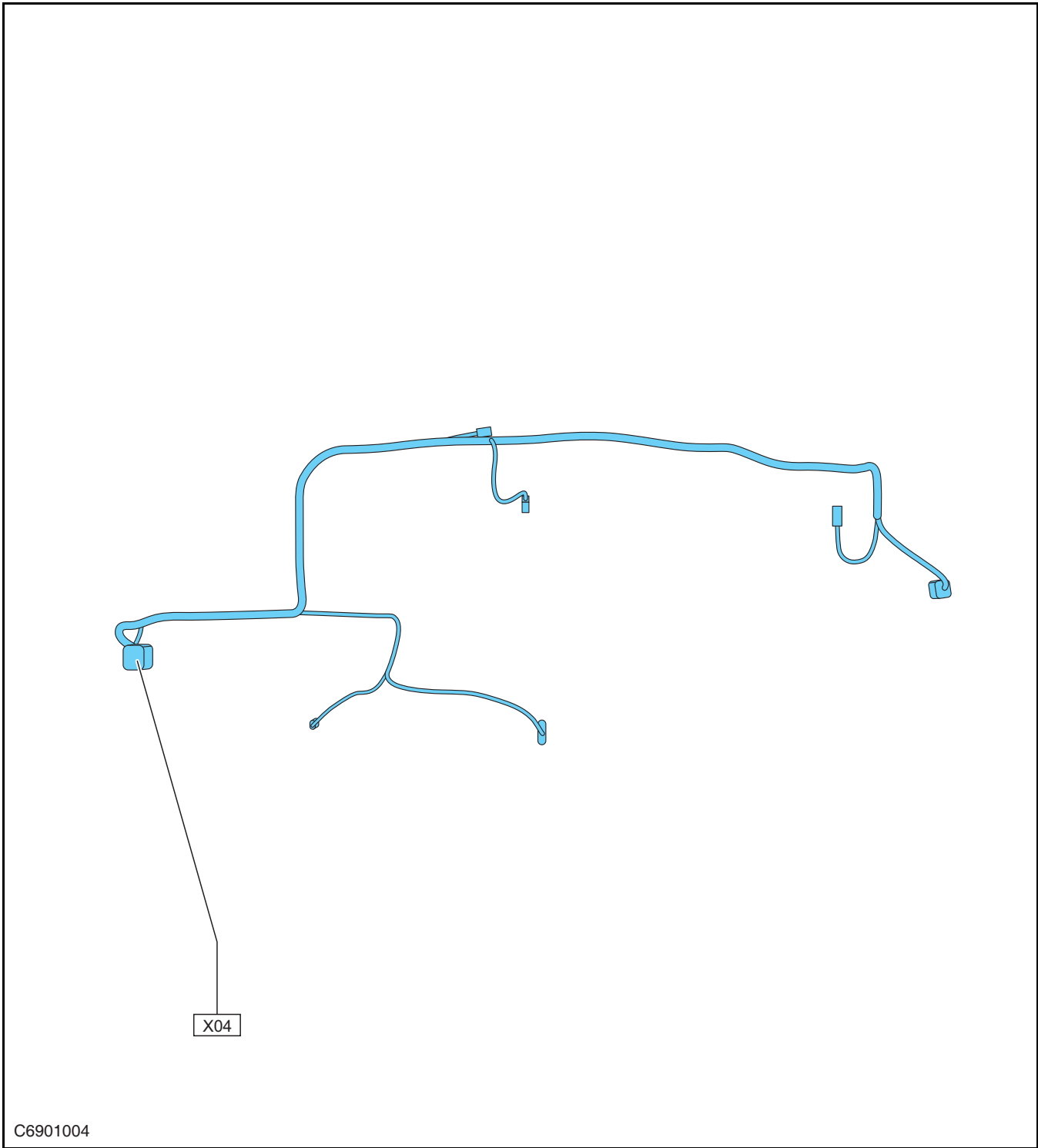


C6901001

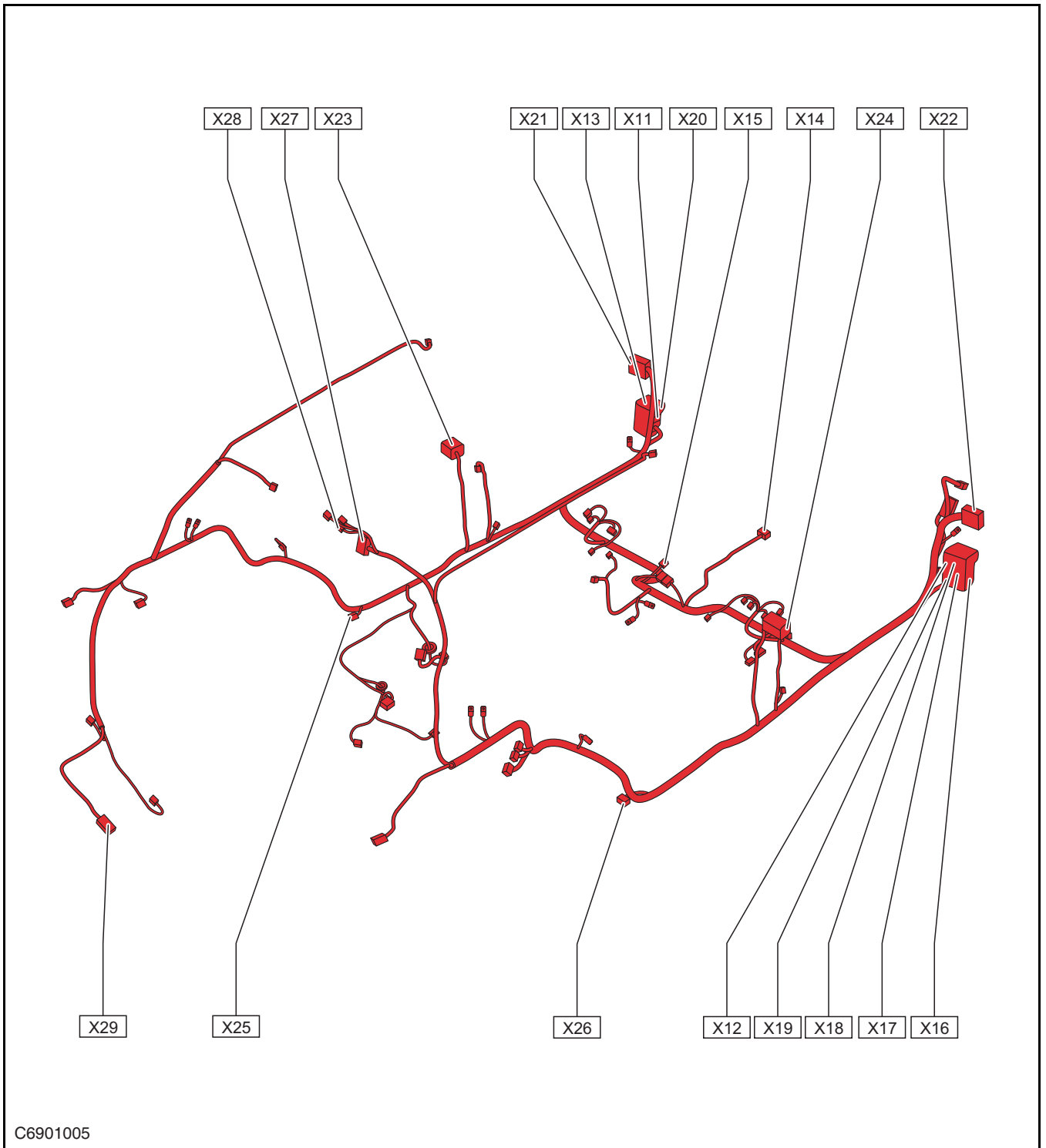


C6901002

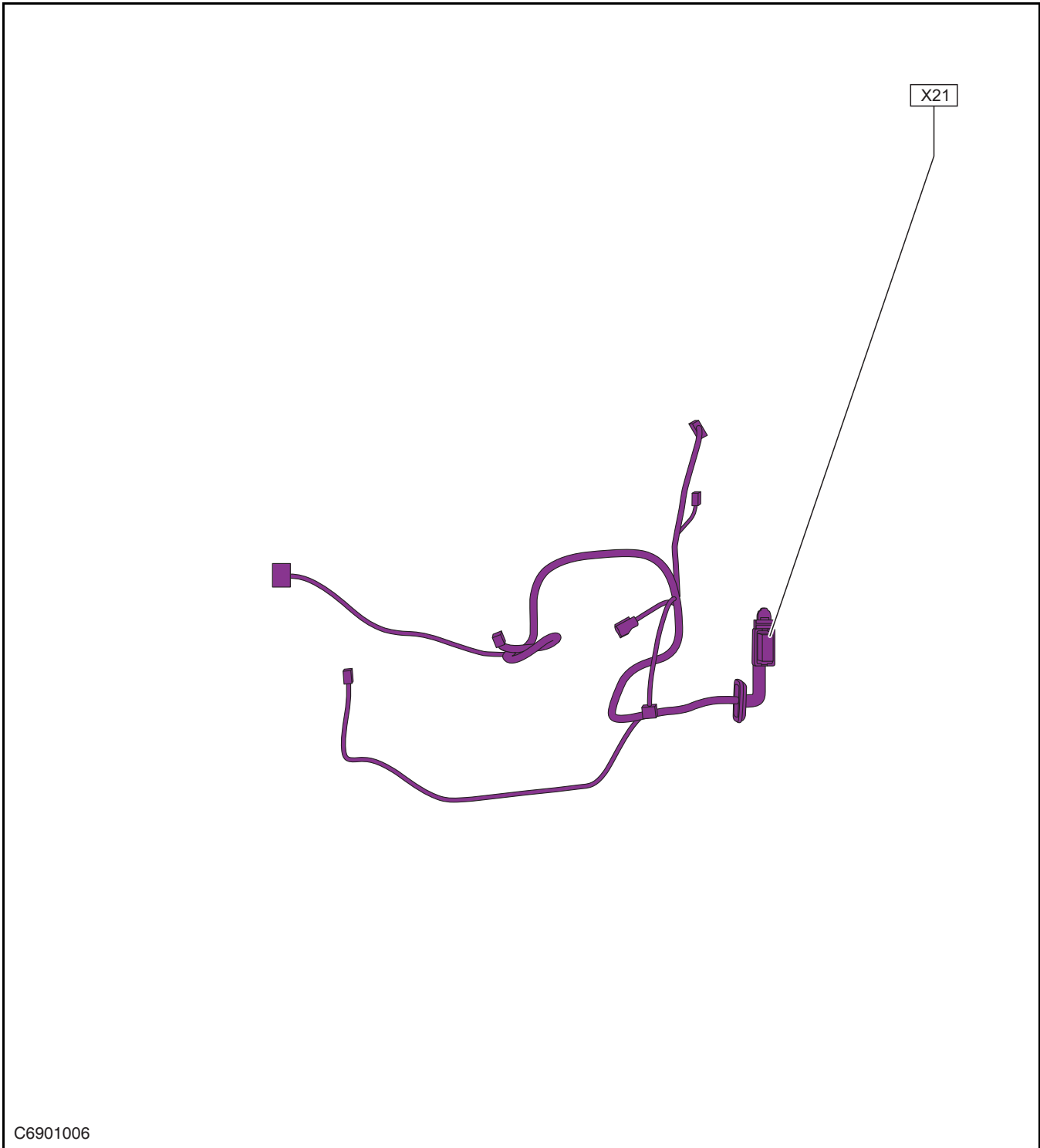




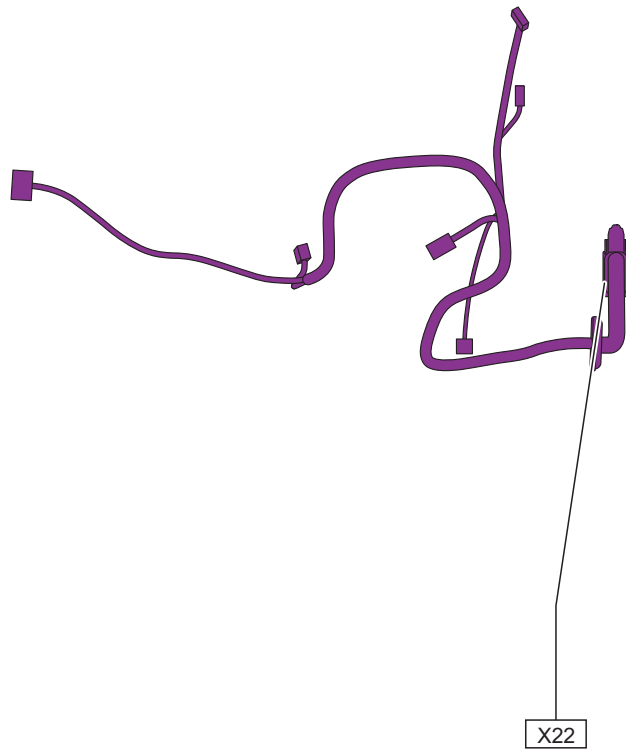
C6901004



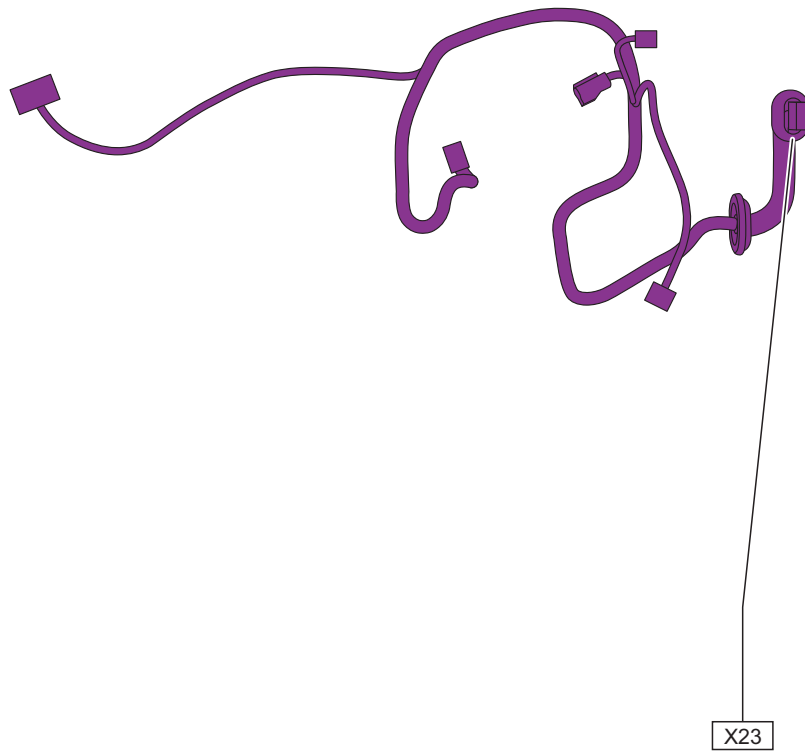
C6901005



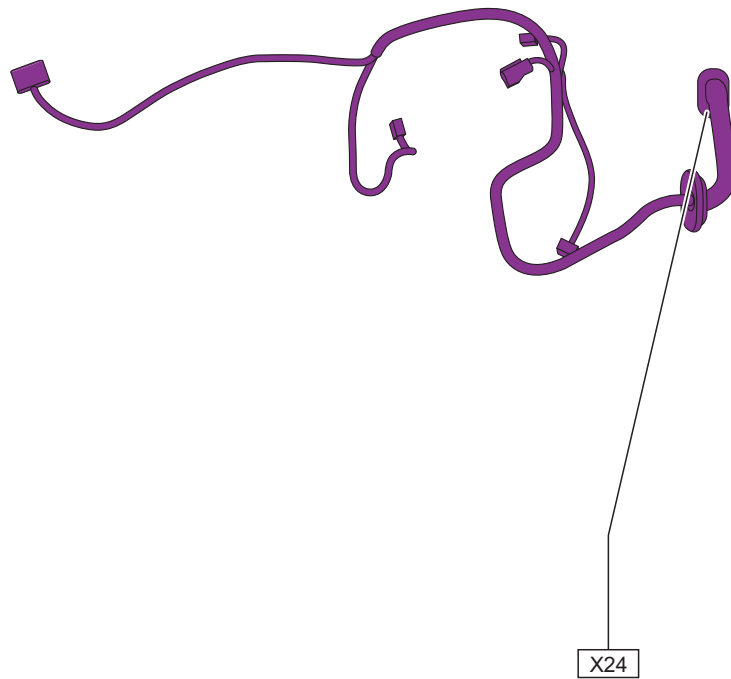
C6901006



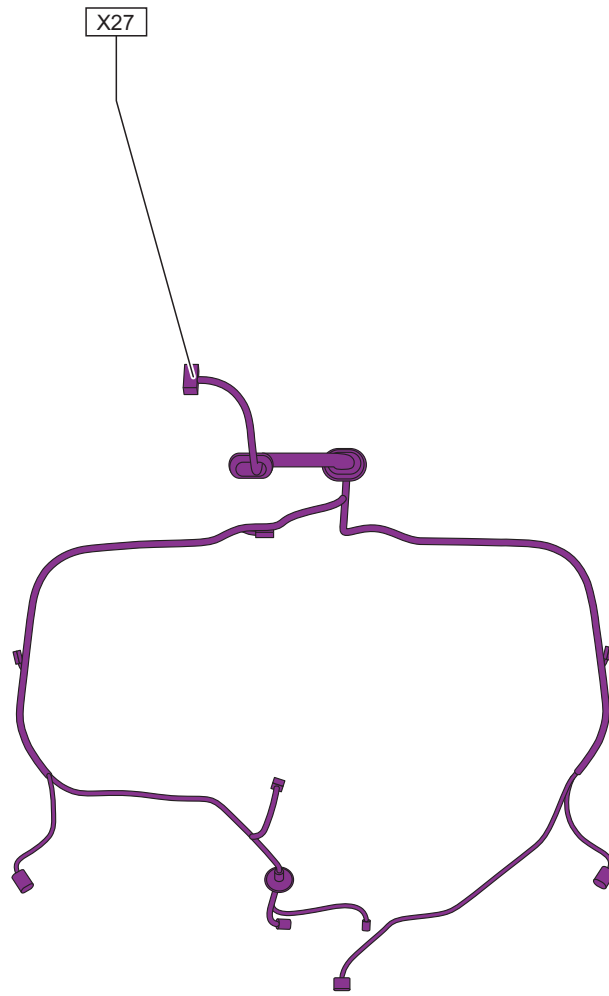
C6901007



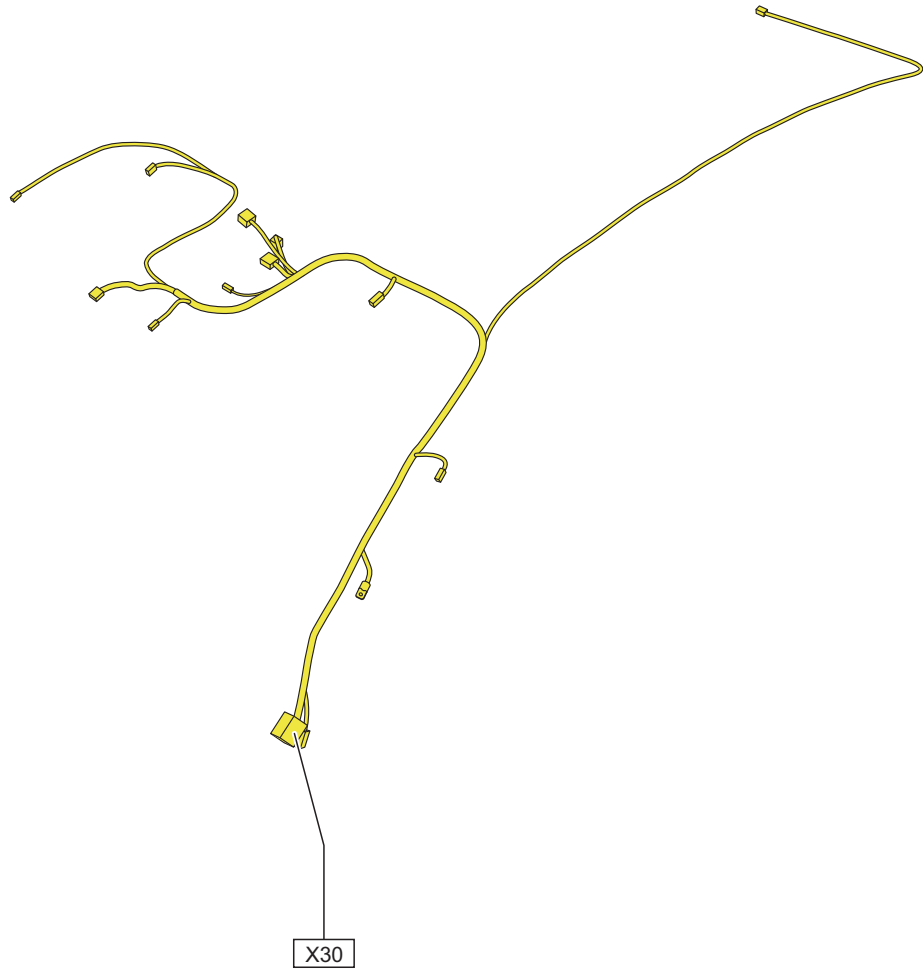
C6901008



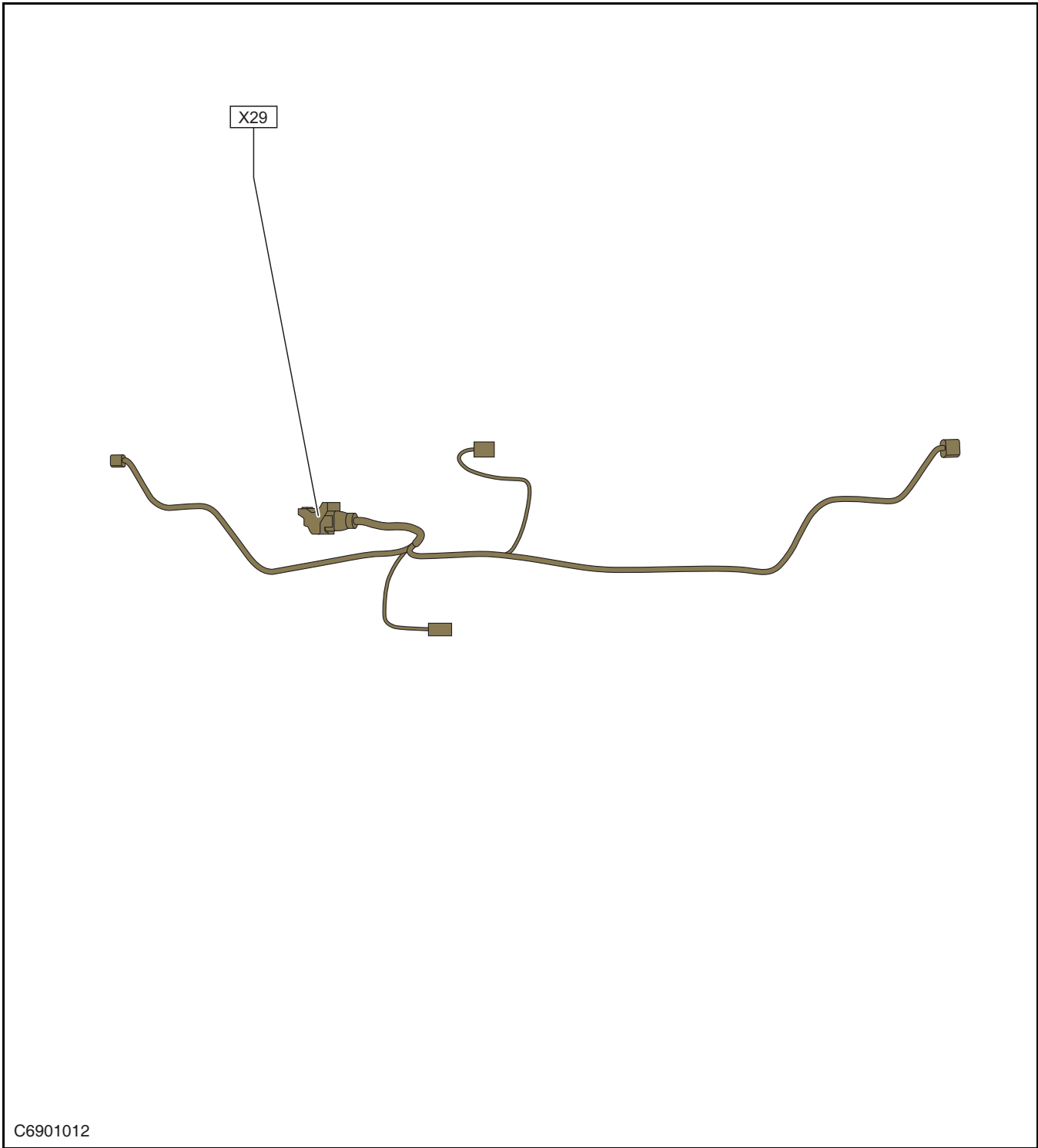
C6901009



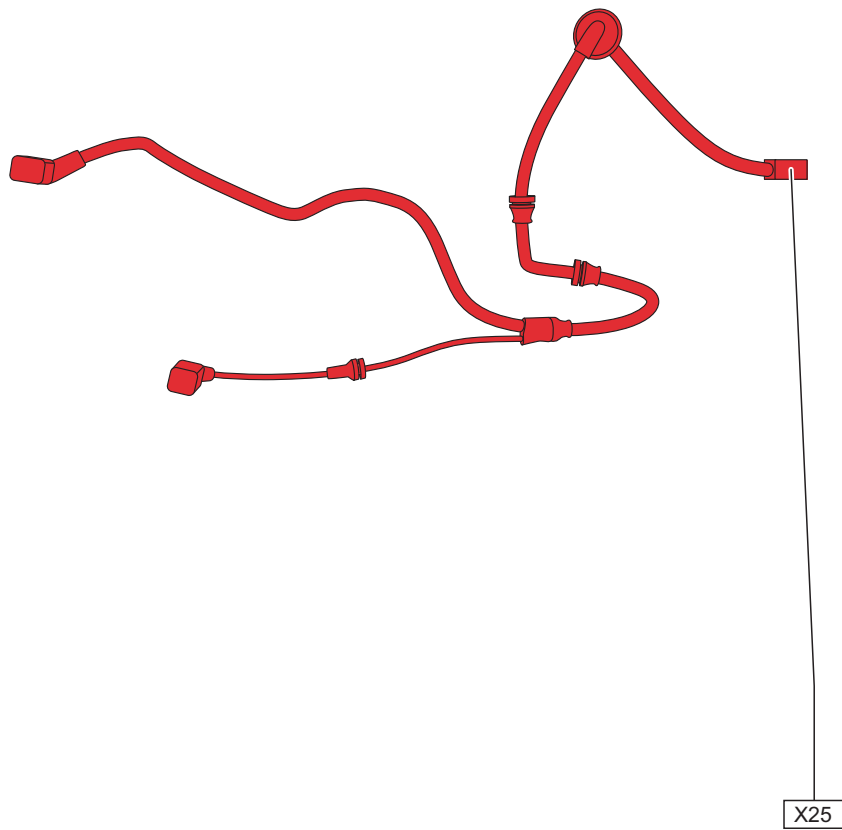
C6901010



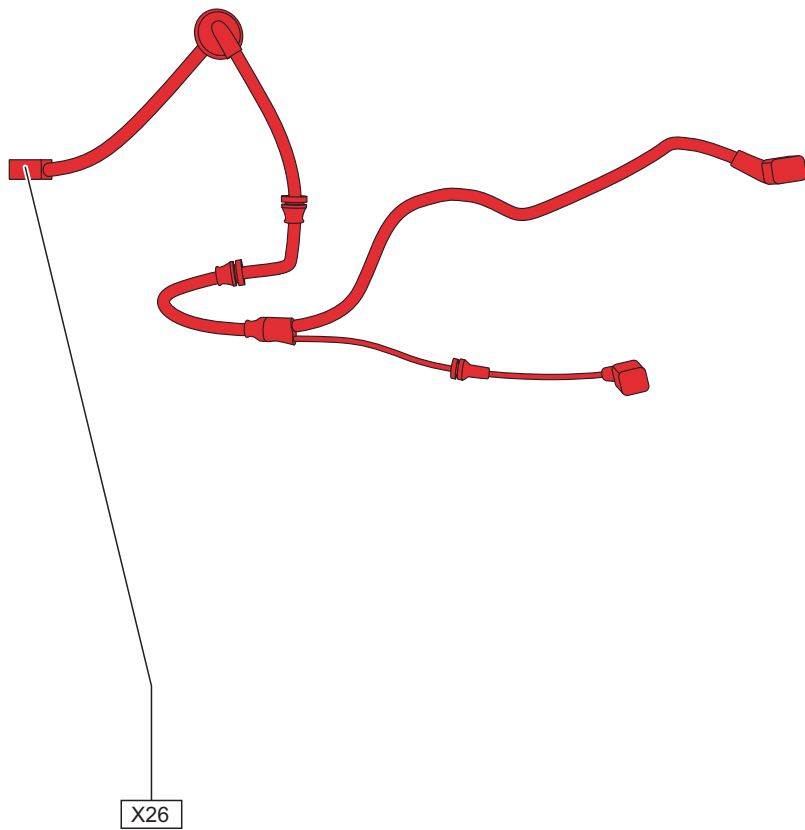
C6901011



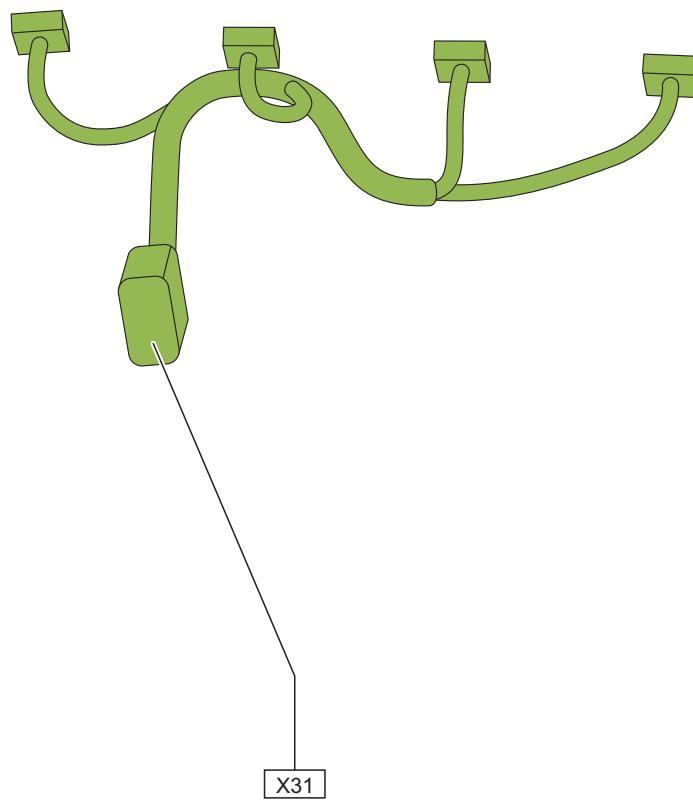
C6901012



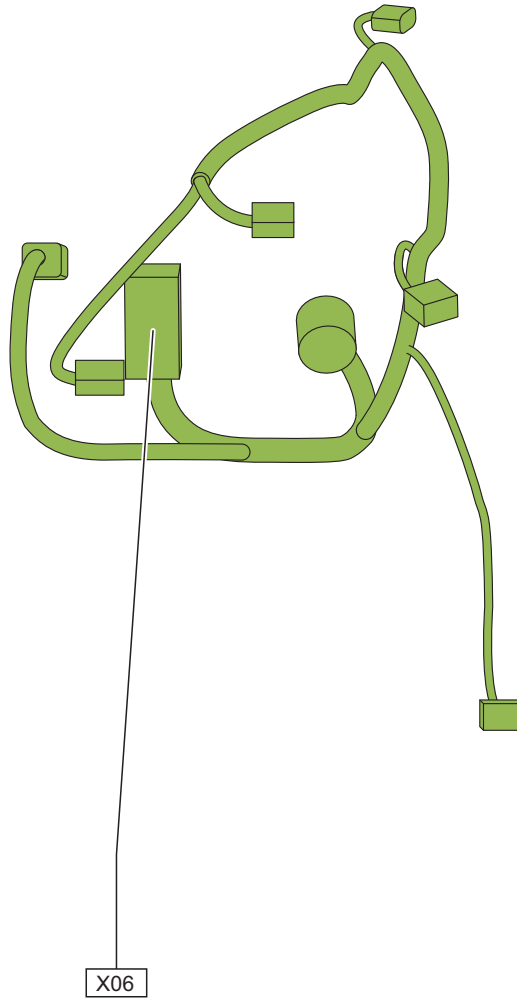
C6901014



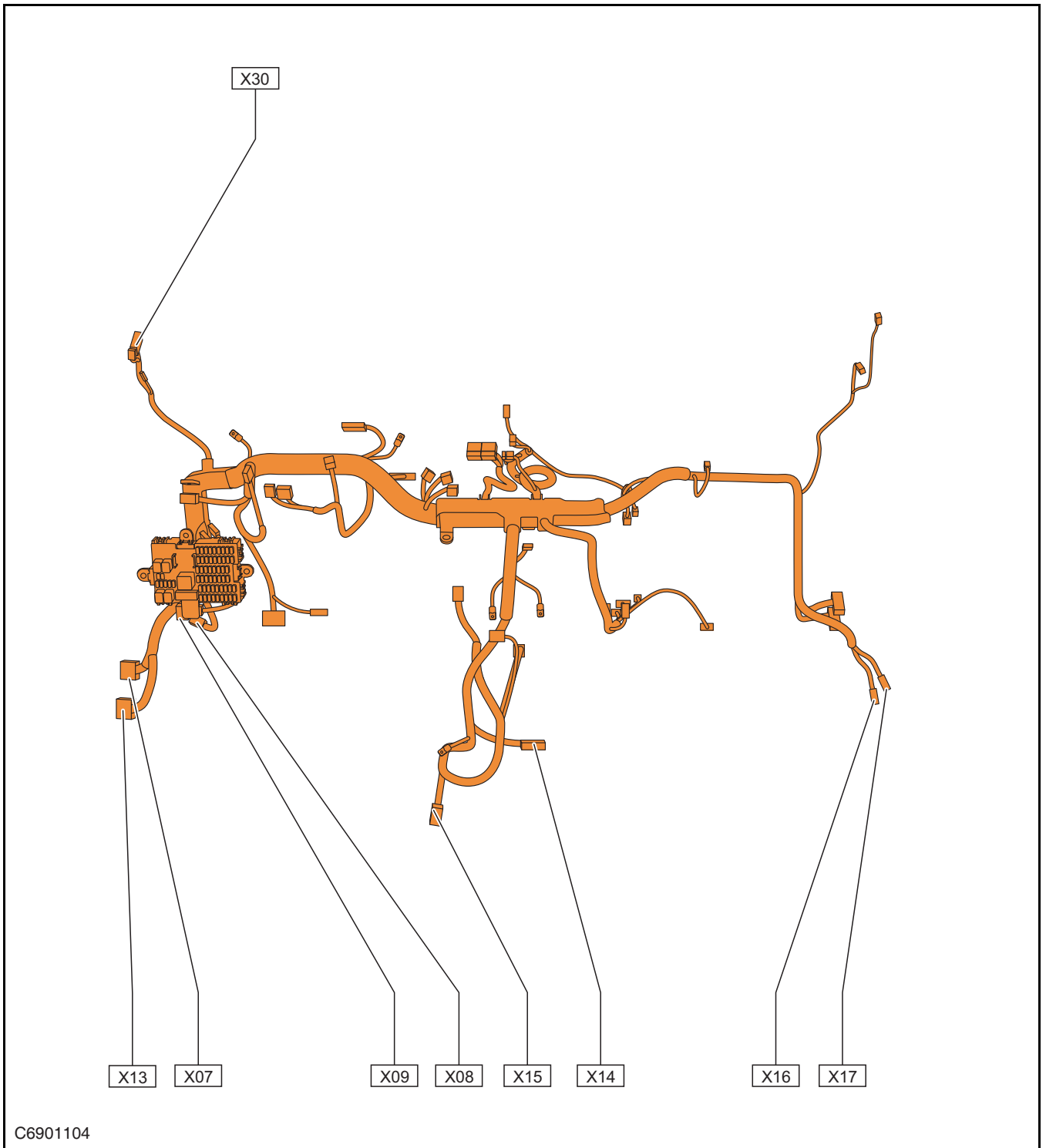
C6901015



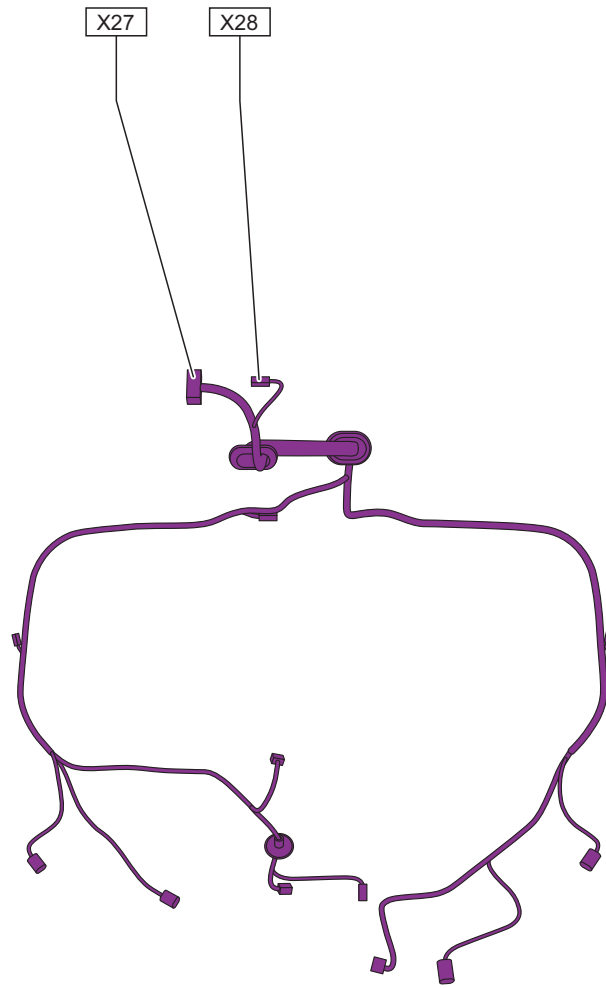
C6901016



C6901017



C6901104



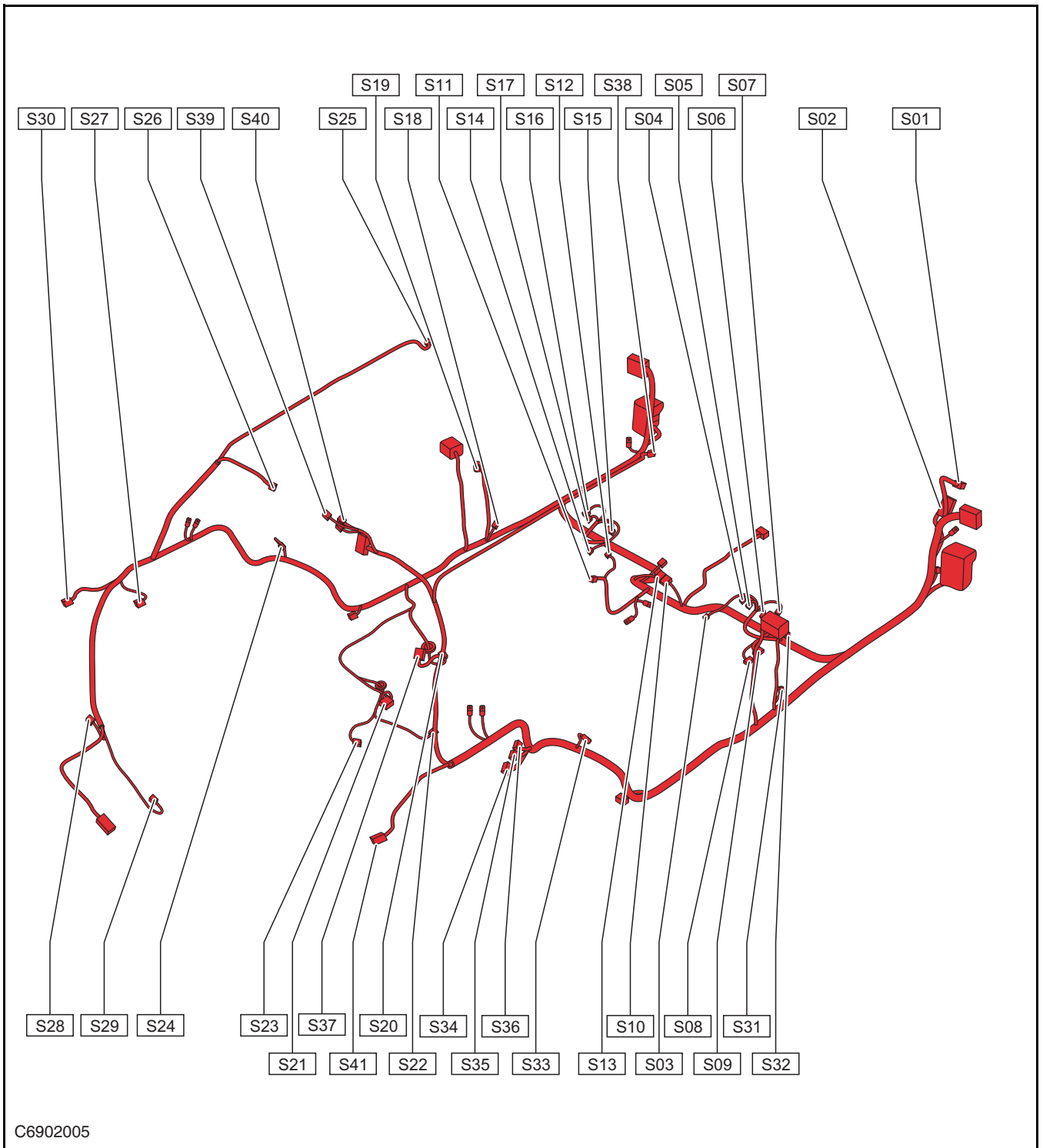
C6901110

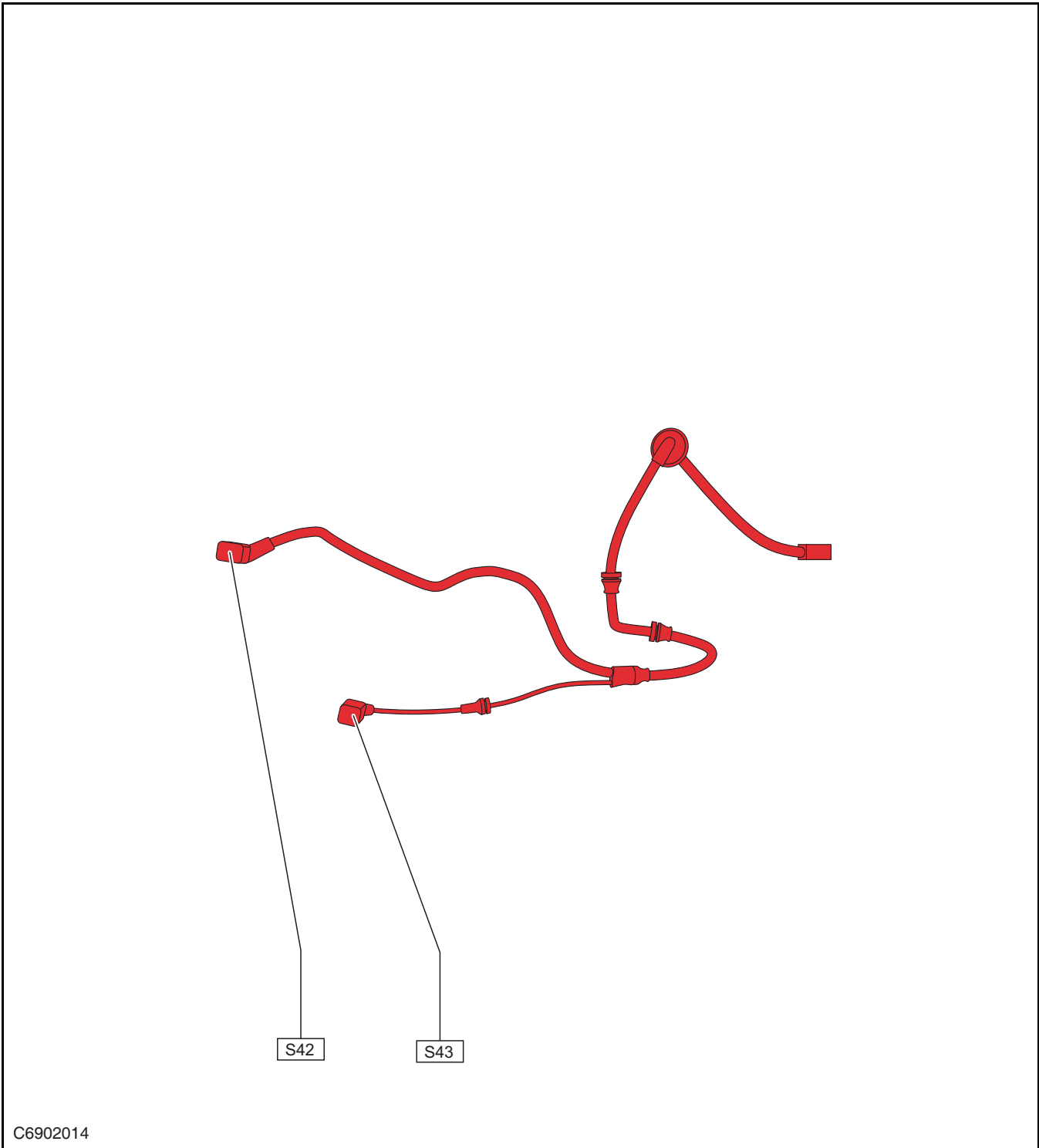
Wiring Harness to Wiring Harness (X) Definition List

A Connector Name	B Connector Name	Definition
Engine Compartment Wiring Harness to Engine Wiring Harness (1)	Engine Wiring Harness (1) to Engine Compartment Wiring Harness	X01
Engine Compartment Wiring Harness to Engine Wiring Harness (2)	Engine Wiring Harness (2) to Engine Compartment Wiring Harness	X02
Engine Compartment Wiring Harness to Engine Wiring Harness (3)	Engine Wiring Harness (3) to Engine Compartment Wiring Harness	X03
Engine Compartment Wiring Harness to Front End Module Wiring Harness	Front End Module Wiring Harness to Engine Compartment Wiring Harness	X04
Engine Compartment Wiring Harness to Front End Module Wiring Harness (Panoramic Camera to HU)	Front End Module Wiring Harness (Panoramic Camera to HU) to Engine Compartment Wiring Harness	X05
Engine Compartment Wiring Harness to Transmission Wiring Harness	Transmission Wiring Harness to Engine Compartment Wiring Harness	X06
Engine Compartment Wiring Harness to Instrument Panel Wiring Harness (Left 1)	Instrument Panel Wiring Harness (Left 1) to Engine Compartment Wiring Harness	X07
Engine Compartment Wiring Harness to Instrument Panel Wiring Harness (Left 2)	Instrument Panel Wiring Harness (Left 2) to Engine Compartment Wiring Harness	X08
Engine Compartment Wiring Harness to Instrument Panel Wiring Harness (Left 3)	Instrument Panel Wiring Harness (Left 3) to Engine Compartment Wiring Harness	X09
Engine Compartment Wiring Harness to Instrument Panel Wiring Harness (Panoramic Camera to HU)	Instrument Panel Wiring Harness (Panoramic Camera to HU) to Engine Compartment Wiring Harness	X10
Engine Compartment Wiring Harness to Chassis Wiring Harness (Left 1)	Chassis Wiring Harness (Left 1) to Engine Compartment Wiring Harness	X11
Engine Compartment Wiring Harness to Chassis Wiring Harness (Right 1)	Chassis Wiring Harness (Right 1) to Engine Compartment Wiring Harness Right	X12
Chassis Wiring Harness to Instrument Panel Wiring Harness (Left 1)	Instrument Panel Wiring Harness (Left 1) to Chassis Wiring Harness	X13
Chassis Wiring Harness to Instrument Panel Wiring Harness (Center 1)	Instrument Panel Wiring Harness (Center 1) to Chassis Wiring Harness	X14
Chassis Wiring Harness to Instrument Panel Wiring Harness (Center 2)	Instrument Panel Wiring Harness (Center 2) to Chassis Wiring Harness	X15
Chassis Wiring Harness to Instrument Panel Wiring Harness (GPS Antenna Coaxial)	Instrument Panel Wiring Harness (GPS Antenna Coaxial) to Chassis Wiring Harness	X16
Chassis Wiring Harness to Instrument Panel Wiring Harness (Radio Antenna Coaxial) - Export Model	Instrument Panel Wiring Harness (Radio Antenna Coaxial) - Export Model to Chassis Wiring Harness	X17

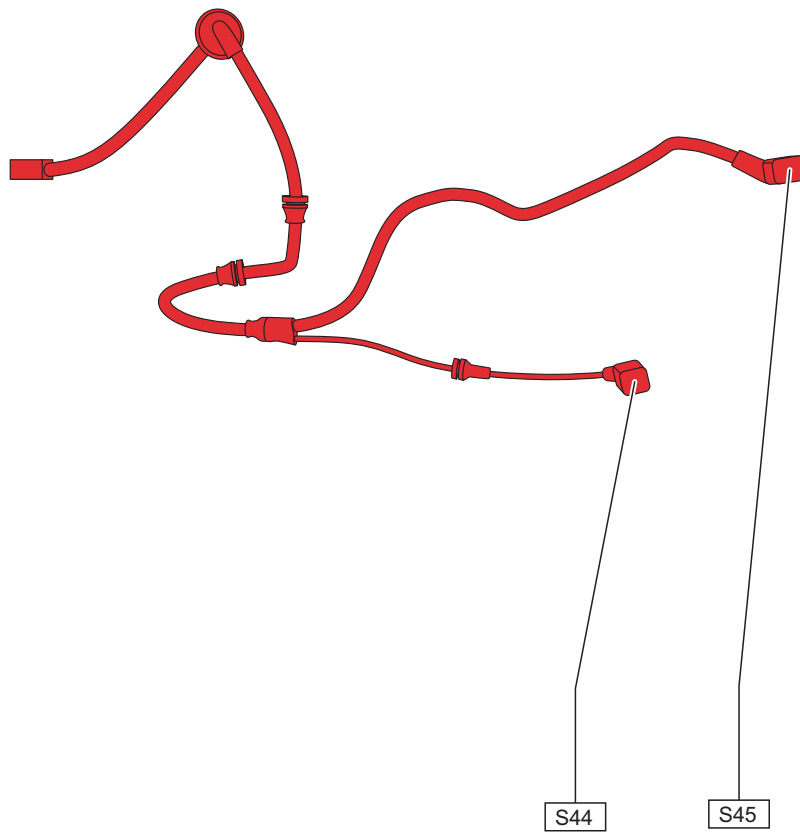
A Connector Name	B Connector Name	Definition
APA to HU (Camera - Rear)	HU (Camera - Rear) to APA	X18
APA to HU (Camera - Right)	HU (Camera - Right) to APA	X19
APA to HU (Camera - Left)	HU (Camera - Left) to APA	X20
Chassis Wiring Harness to Left Front Door Wiring Harness	Left Front Door Wiring Harness to Chassis Wiring Harness	X21
Chassis Wiring Harness to Right Front Door Wiring Harness	Right Front Door Wiring Harness to Chassis Wiring Harness	X22
Chassis Wiring Harness to Left Rear Door Wiring Harness	Left Rear Door Wiring Harness to Chassis Wiring Harness	X23
Chassis Wiring Harness to Right Rear Door Wiring Harness	Right Rear Door Wiring Harness to Chassis Wiring Harness	X24
Chassis Wiring Harness to Electronic Parking Brake Motor Wiring Harness (Left)	Electronic Parking Brake Motor Wiring Harness (Left) to Chassis Wiring Harness	X25
Chassis Wiring Harness to Electronic Parking Brake Motor Wiring Harness (Right)	Electronic Parking Brake Motor Wiring Harness (Right) to Chassis Wiring Harness	X26
Chassis Wiring Harness to Back Door Wiring Harness	Back Door Wiring Harness to Chassis Wiring Harness	X27
Chassis Wiring Harness to Rear Camera Wiring Harness	Rear Camera Wiring Harness to Chassis Wiring Harness	X28
Chassis Wiring Harness to Rear Bumper Wiring Harness (2)	Rear Bumper Wiring Harness (2) to Chassis Wiring Harness	X29
Instrument Panel Wiring Harness to Roof Wiring Harness (Left)	Roof Wiring Harness (Left) to Instrument Panel Wiring Harness	X30
Engine Wiring Harness to Fuel Injector Wiring Harness	Fuel Injector Wiring Harness to Engine Wiring Harness	X31

Chassis Wiring Harness Connector (S--)





C6902014



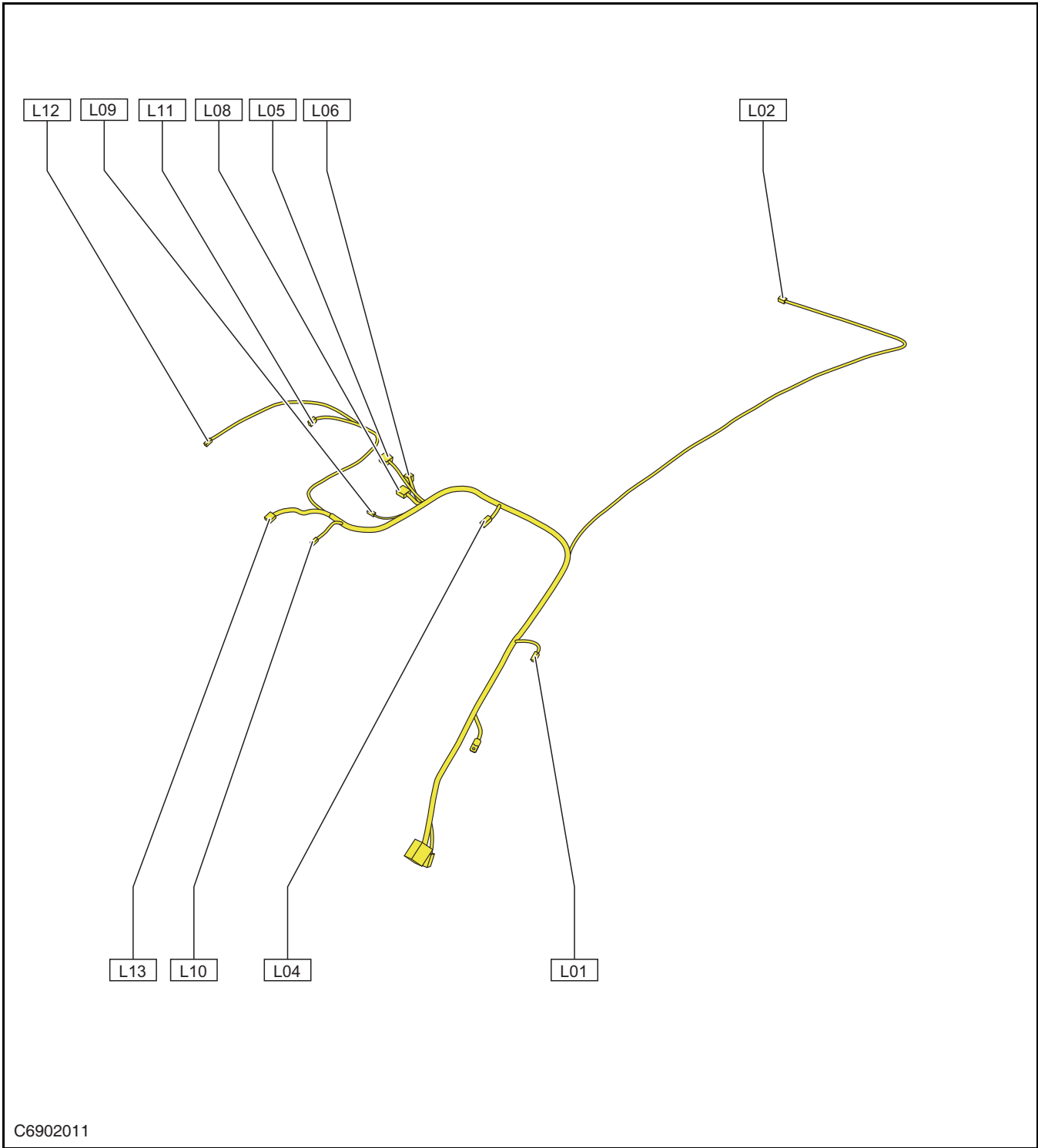
C6902015

Chassis Wiring Harness Connector (S) Definition List

Connector Name	Definition
BDC-J4	S01
BDC-J3	S02
Front Passenger Seat Belt Switch	S03
Front Passenger Seat Sensor	S04
Front Passenger Heater Module	S05
Front Passenger Side Airbag	S06
Power Seat - Front Passenger	S07
Window Anti-pinch Controller A	S08
Window Anti-pinch Controller B	S09
Airbag Control Unit B	S10
Rear Seat Heater Switch	S11
Rear USB Interface	S12
Airbag Control Unit A	S13
Seat Belt Switch (Driver)	S14
Driver Electric Regulator and Front Heater Controller	S15
Driver Side Airbag	S16
Power Seat - Driver	S17
Driver Side Collision Sensor	S18
Door Contact Switch (Left Front)	S19
Fuel Pump	S20
Rear Seat Heater Controller	S21
Fuel Tank Pressure Sensor	S22
Carbon Canister Stop Valve	S23
Door Contact Switch (Left Rear)	S24
Left Curtain Shield Airbag	S25
Radio Frequency Receiver	S26
Luggage Compartment Lamp	S27
Reversing Radar Controller	S28
Inside Rear Antenna	S29
Rear Combination Lamp I - Left	S30

Connector Name	Definition
Front Passenger Side Collision Sensor	S31
Door Contact Switch - Right Front	S32
Door Contact Switch - Right Rear	S33
Back Door Controller 3	S34
Back Door Controller 2	S35
Back Door Controller 1	S36
Electric Stay Bar - Left	S37
Right Curtain Shield Airbag	S38
Radio/DVD	S39
GPS Antenna	S40
Rear Combination Lamp I - Right	S41
Electronic Parking Brake (Left)	S42
Wheel Speed Sensor - Left Rear	S43
Electronic Parking Brake (Right)	S44
Wheel Speed Sensor - Right Rear	S45

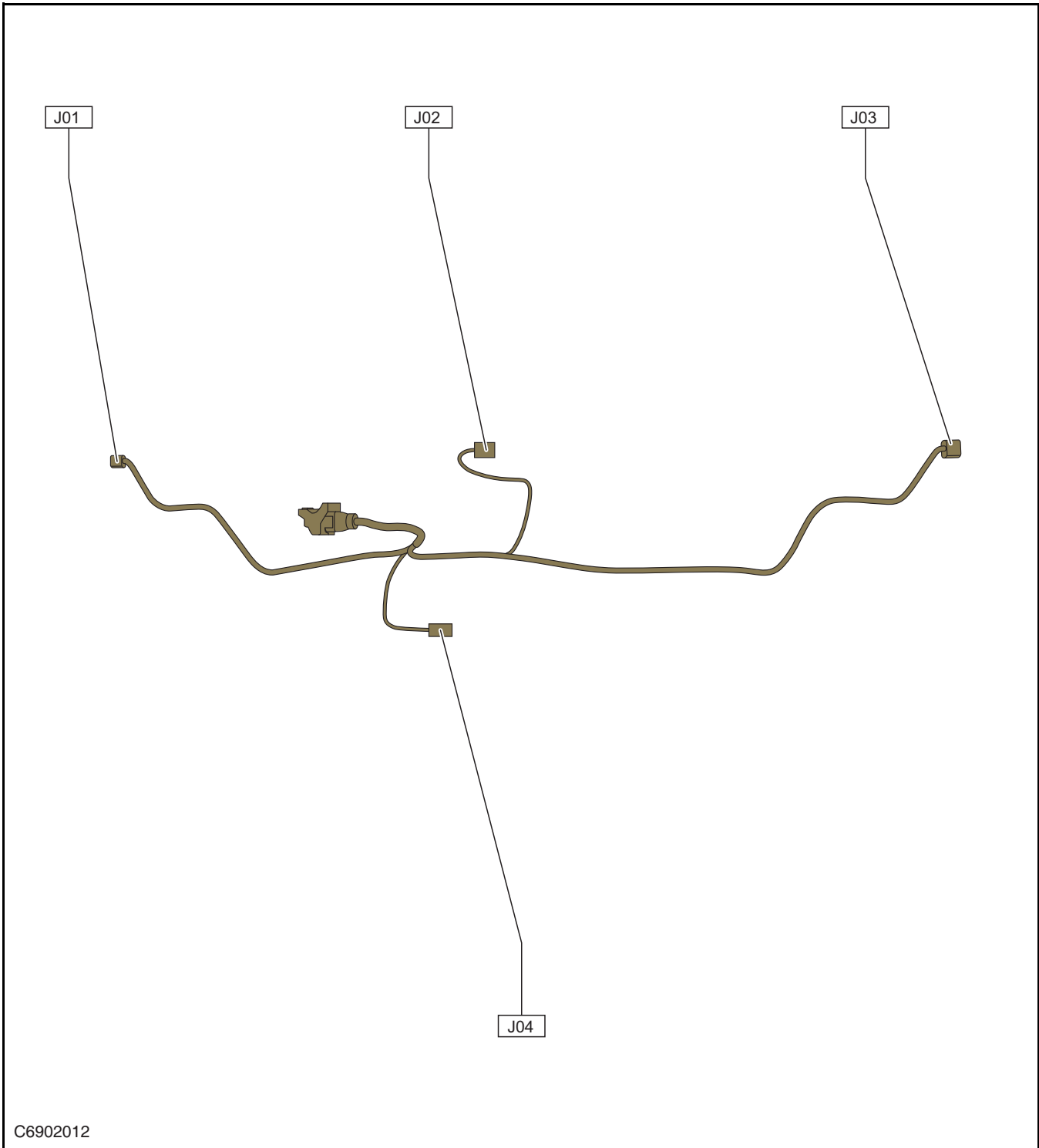
Roof Wiring Harness Connector (L--)



Chassis Wiring Harness Connector (L) Definition List

Connector Name	Definition
Front Windshield Heater - Left Negative	L01
Dome Lamp - Left Rear (Panoramic Sunroof)	L02
Rear Dome Lamp (Small Sunroof)	L03
Vanity Lamp (Left)	L04
SOS Switch	L05
Sunroof Controller (Panoramic)	L06
Sunroof Controller (Normal)	L07
Front Dome Lamp + Sunroof	L08
Microphone	L09
Rain/Ambient Light Sensor	L10
Vanity Lamp (Right)	L11
Front Windshield Heater - Right Negative	L12
Lane Departure Controller	L13

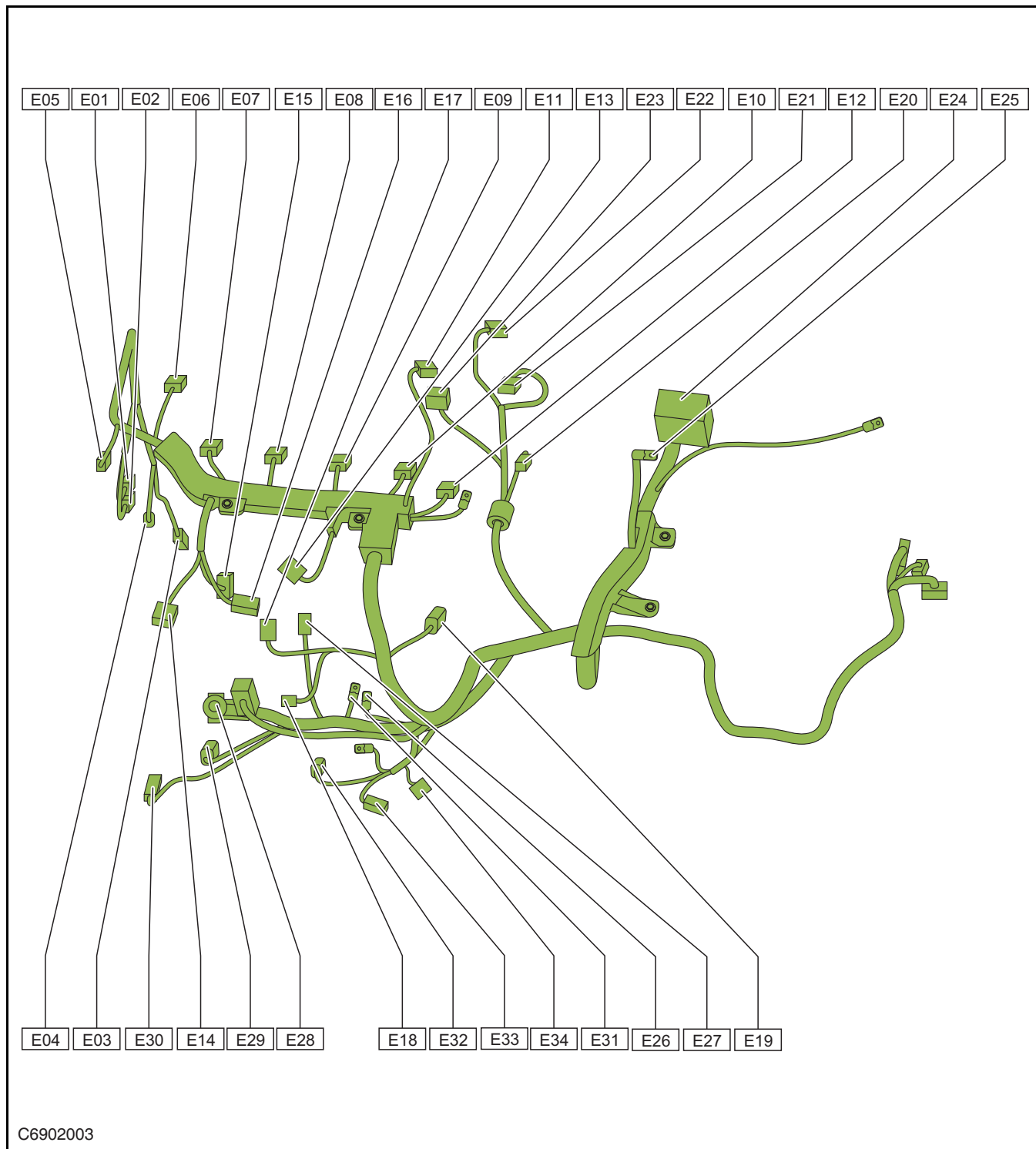
Rear Bumper Wiring Harness Connector (J--)

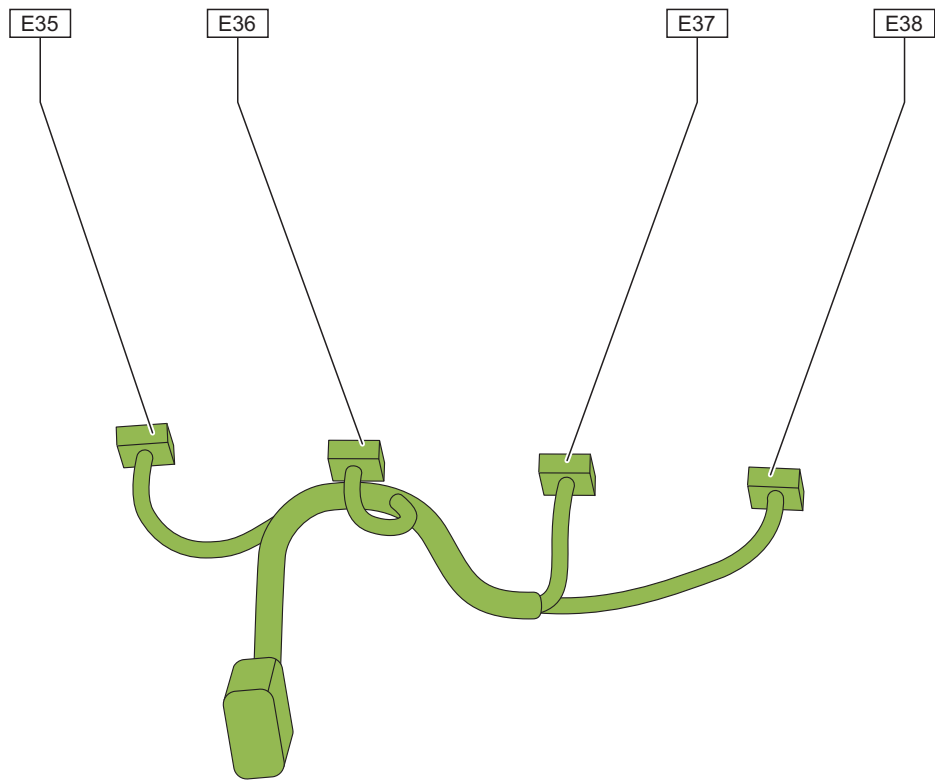


Rear Bumper Wiring Harness Connector (J) Definition List

Connector Name	Definition
Reversing Radar Sensor (Left Rear Corner)	J01
Reversing Radar Sensor (Right Rear Center)	J02
Reversing Radar Sensor (Right Rear Corner)	J03
Rear Combination Lamp - Rear Fog Lamp	J04

Engine Wiring Harness Connector (E--)





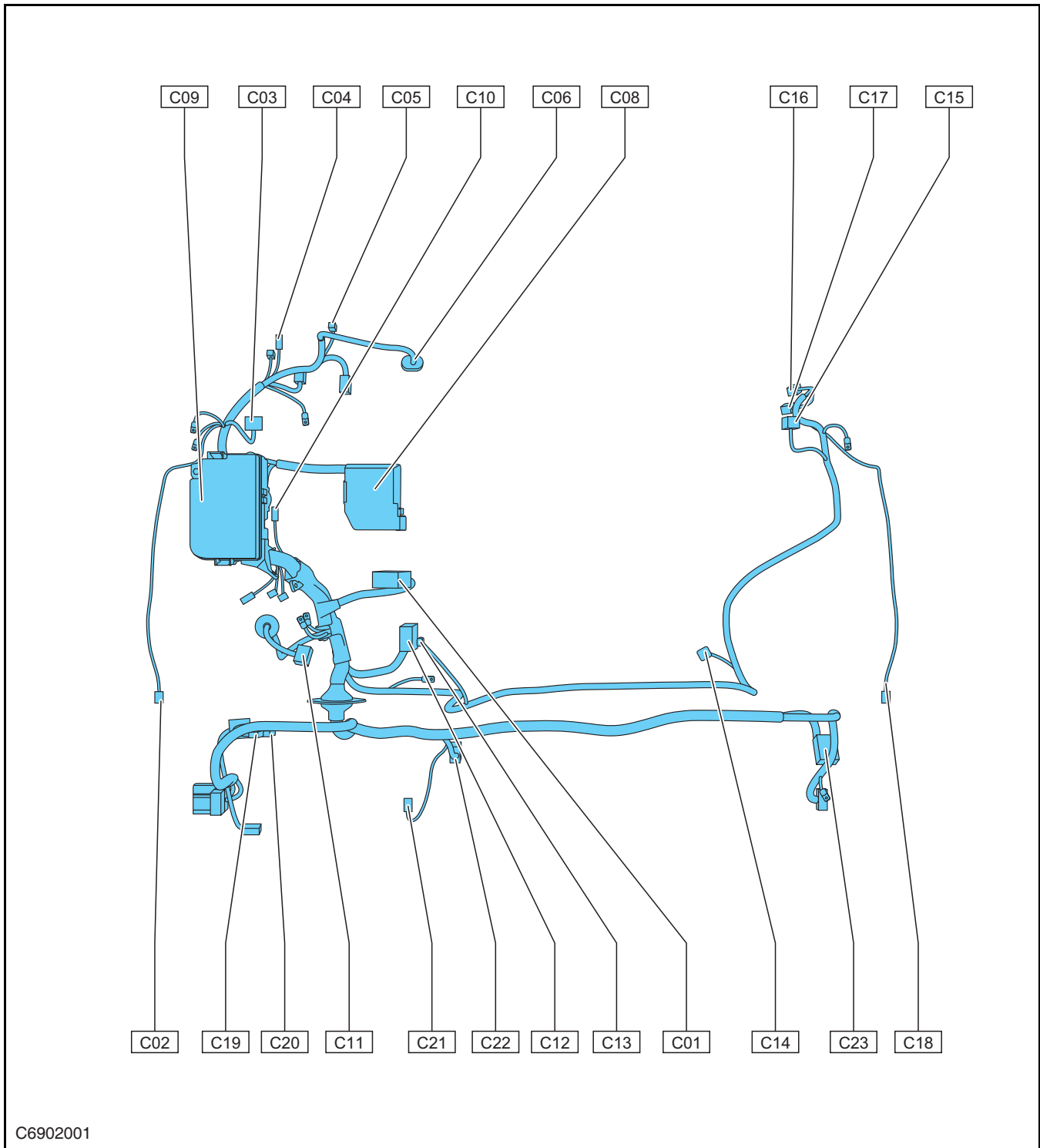
C6902016

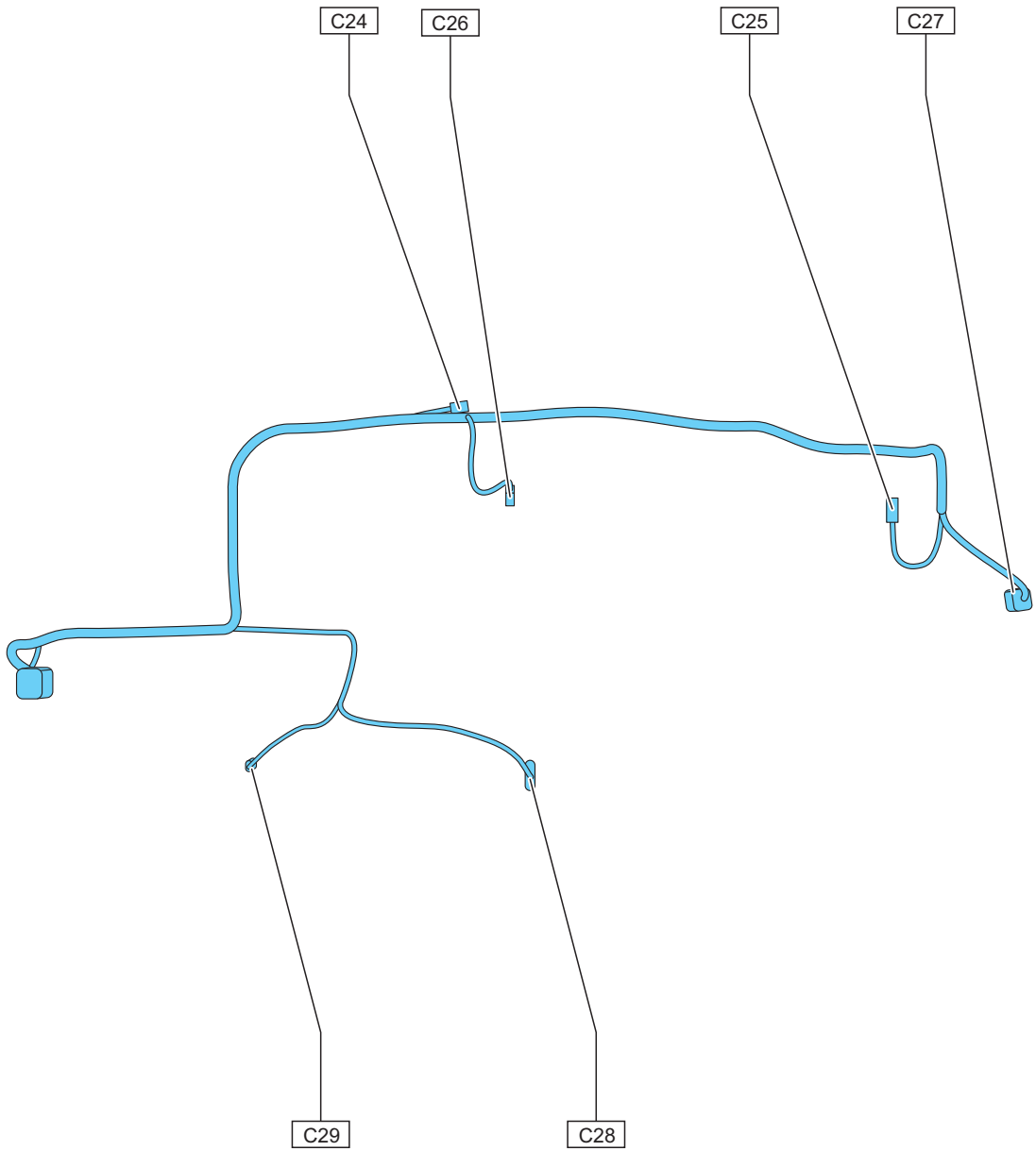
Engine Wiring Harness Connector (E) Definition List

Connector Name	Definition
Front Oxygen Sensor	E01
Rear Oxygen Sensor	E02
Variable Displacement Oil Pump	E03
PCJ Control Valve	E04
OCV Exhaust Valve	E05
OCV Intake Valve	E06
Ignition Coil - 1	E07
Ignition Coil - 2	E08
Ignition Coil - 3	E09
Ignition Coil - 4	E10
High Pressure Oil Pump	E11
Intake Camshaft Position Sensor	E12
Air Intake Temperature/Pressure Sensor	E13
Electronic Throttle Position Sensor	E14
Fuel Rail Pressure Sensor	E15
Boost Pressure/Temperature Sensor	E16
Canister Solenoid Valve	E17
Desorption Pressure Sensor	E18
Air Intake Pressure Discharge Valve	E19
Coolant Temperature Sensor	E20
Electric Wiring Harness Conduit	E21
Exhaust Camshaft Position Sensor	E22
Exhaust Bypass Actuator	E23
ECU-1	E24
Starting Motor/Alternator	E25
Starting Motor Positive	E26
Knock Sensor	E27
Alternator Positive	E28
Alternator	E29
Compressor	E30

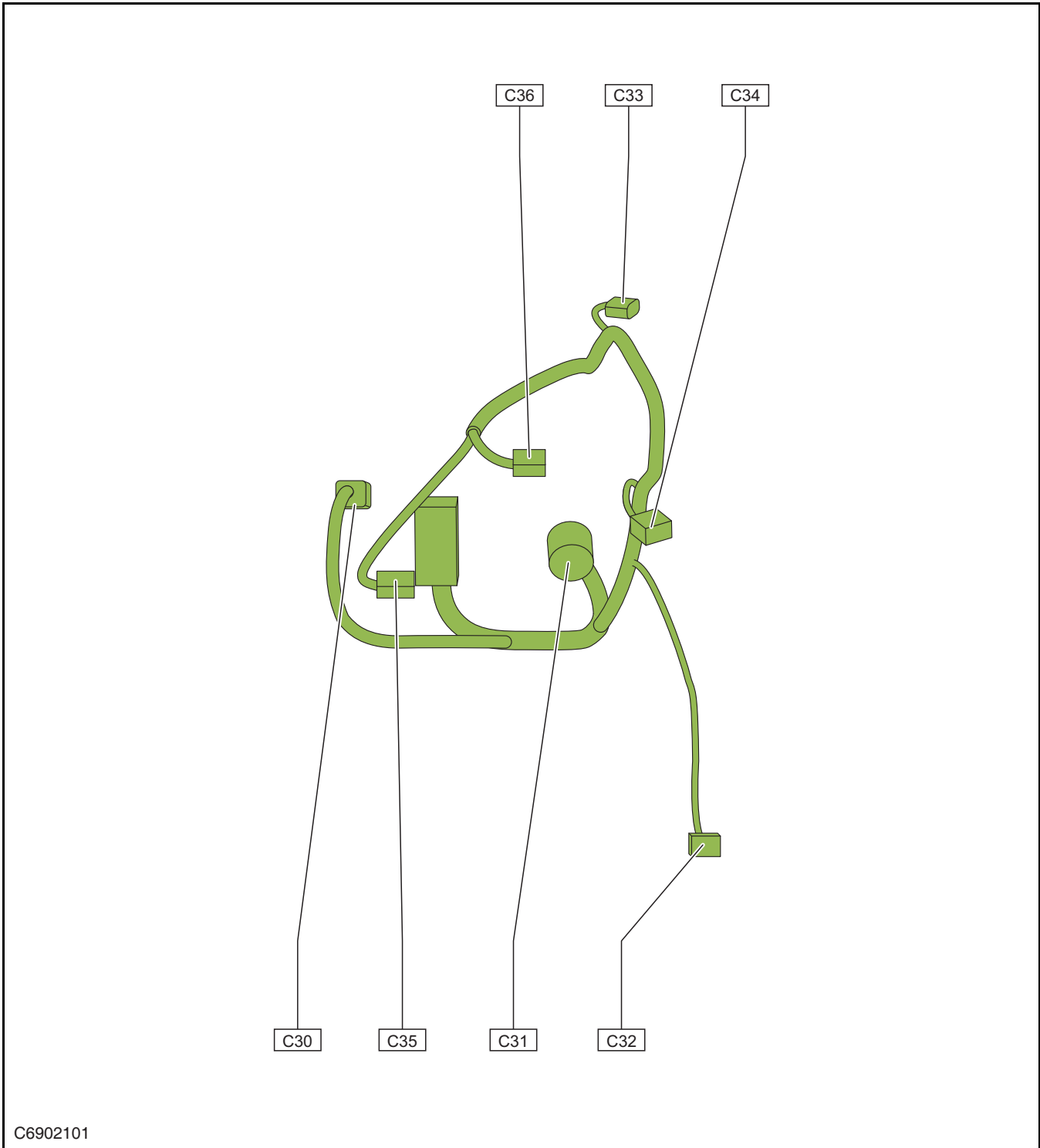
Connector Name	Definition
Starting Motor	E31
Oil Pressure Alarm Assembly	E32
Electric Auxiliary Water Pump	E33
Crankshaft Position Sensor	E34
Fuel Injector - 1	E35
Fuel Injector - 2	E36
Fuel Injector - 3	E37
Fuel Injector - 4	E38

Engine Compartment Wiring Harness Connector (C--)





C6902004



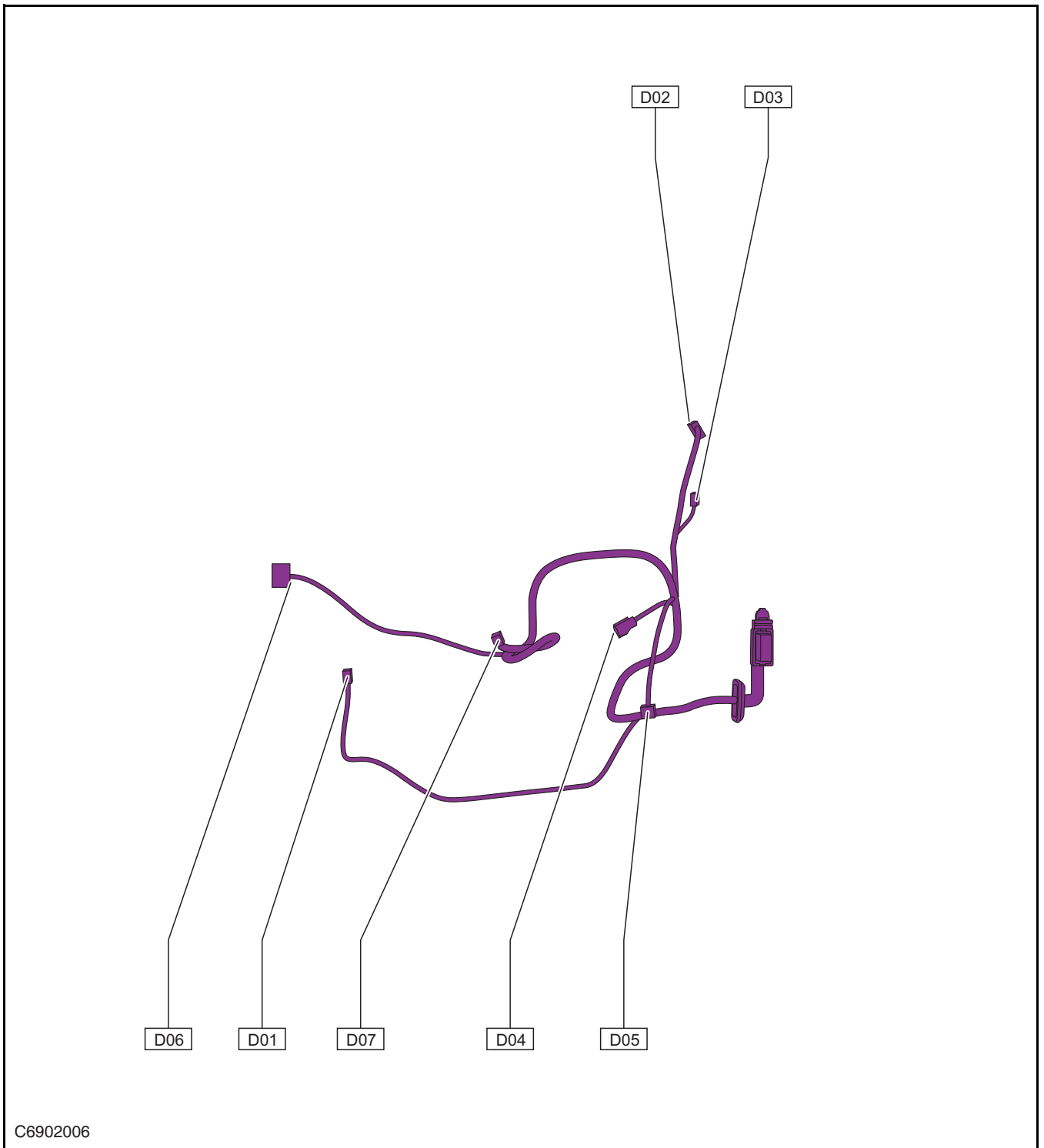
C6902101

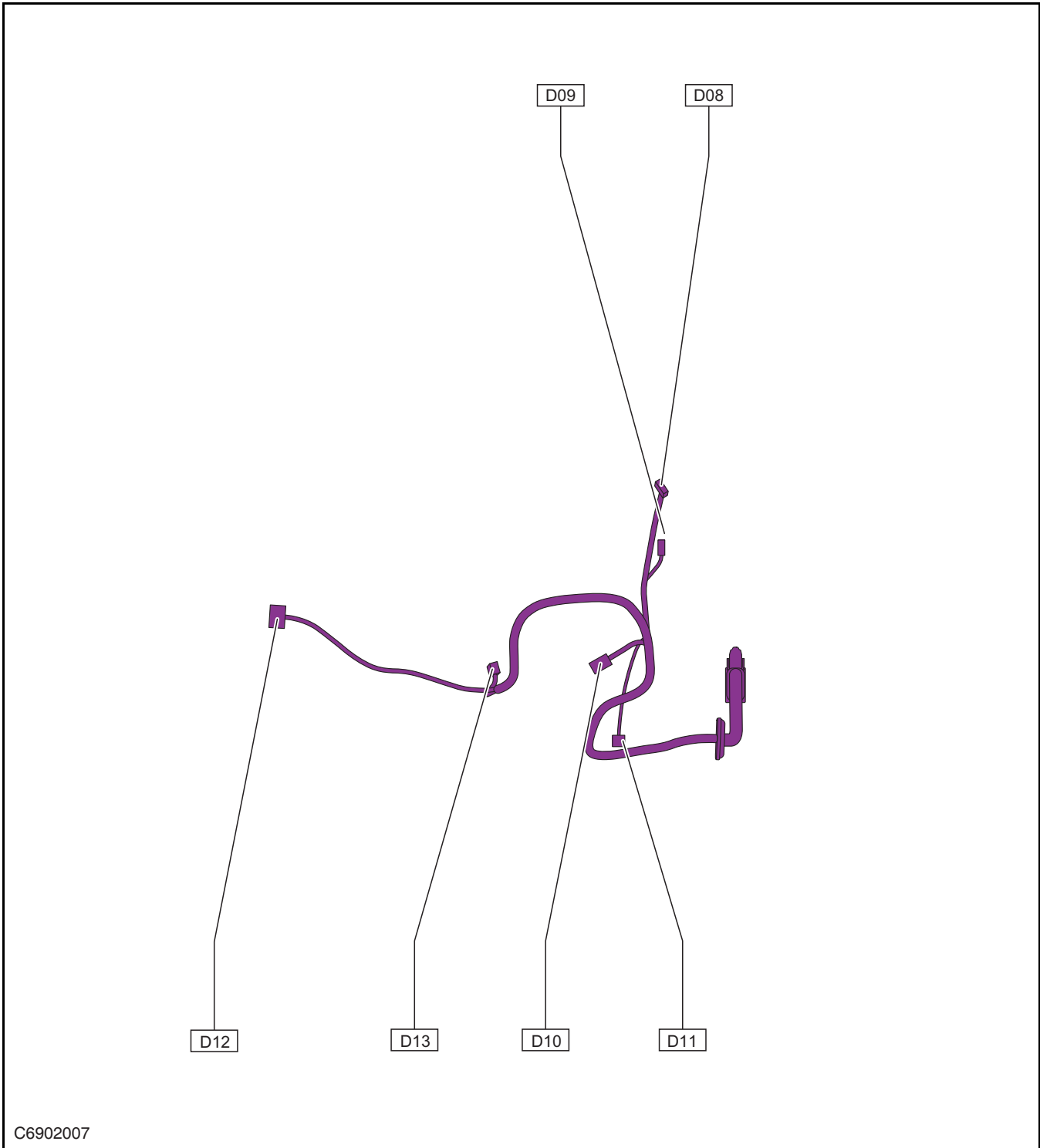
Engine Compartment Wiring Harness Connector (C) Definition List

Connector Name	Definition
ECU-2	C01
Wheel Speed Sensor - Left Front	C02
Front Combination Lamp I - Left	C03
Electric Horn 2	C04
PWM Cooling Fan	C05
Front Collision Sensor - Left	C06
Engine Compartment Fuse Box Constant Power Supply Terminal	C07
Battery Positive - STT - Fuse Box Power Supply	C08
Engine Compartment Fuse Box	C09
Battery Sensor (STT)	C10
Front Wiper Motor	C11
EPBI	C12
Brake Fluid Level Sensor	C13
A/C Pipe Pressure Sensor	C14
Front Combination Lamp I - Right	C15
Washer Motor (Front)	C16
Washer Motor (Rear)	C17
Wheel Speed Sensor - Right Front	C18
Electronic Shift Controller A	C19
Electronic Shift Controller B	C20
Brake Switch	C21
Accelerator Pedal Position Sensor	C22
BDC-J5	C23
Engine Hood Switch	C24
Front Collision Sensor - Right	C25
HD Panoramic Front Camera	C26
Electric Horn 1	C27
Self-adaptive Cruise Controller	C28
Outside Temperature Sensor	C29
TCU	C30

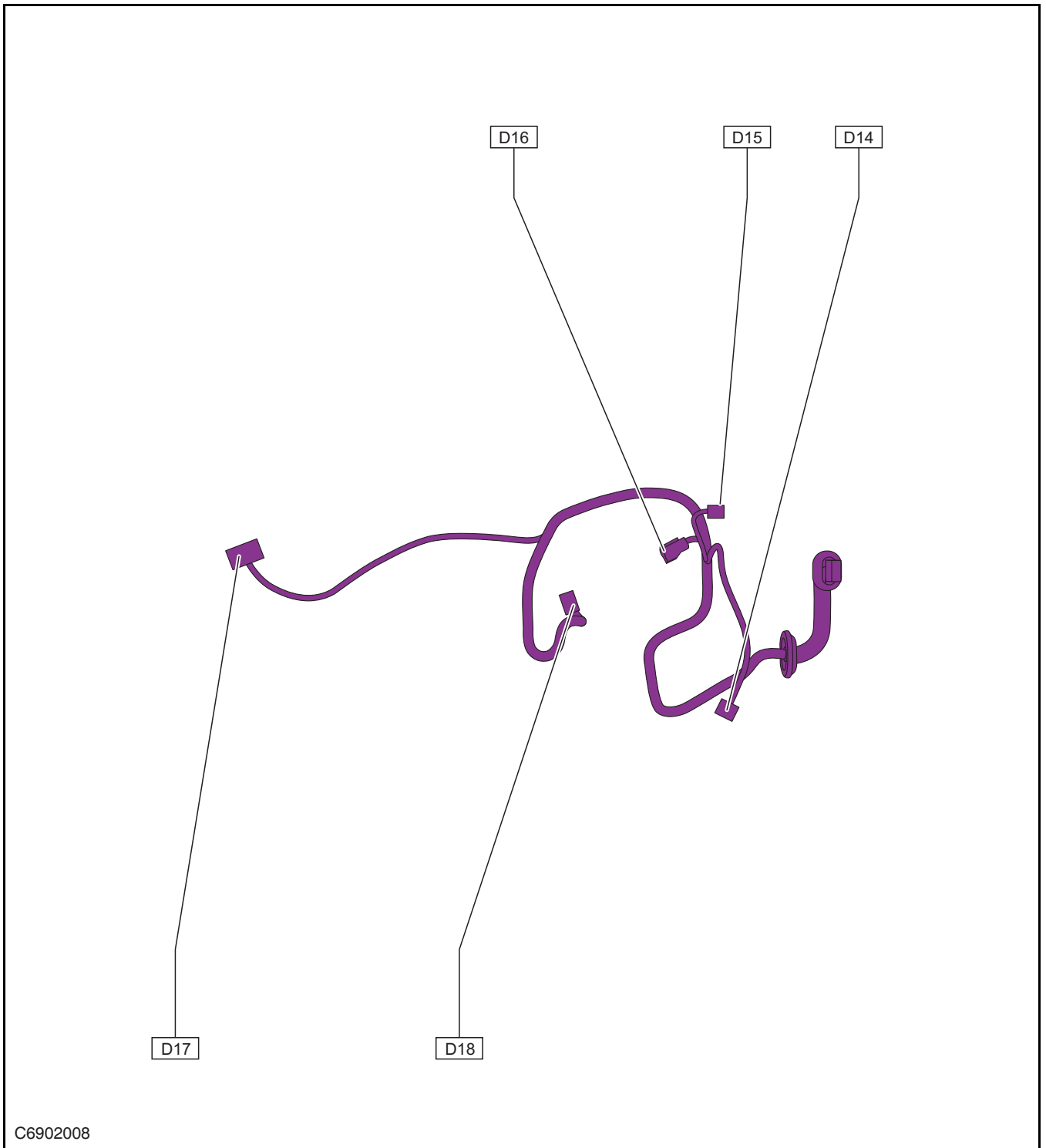
Connector Name	Definition
HCU	C31
Oil Temperature Sensor	C32
Electronic Shift Actuator	C33
PRND Sensor	C34
Input Shaft 1 Speed Sensor - UAES	C35
Input Shaft 2 Speed Sensor - UAES	C36

Door Wiring Harness Connector (D--)

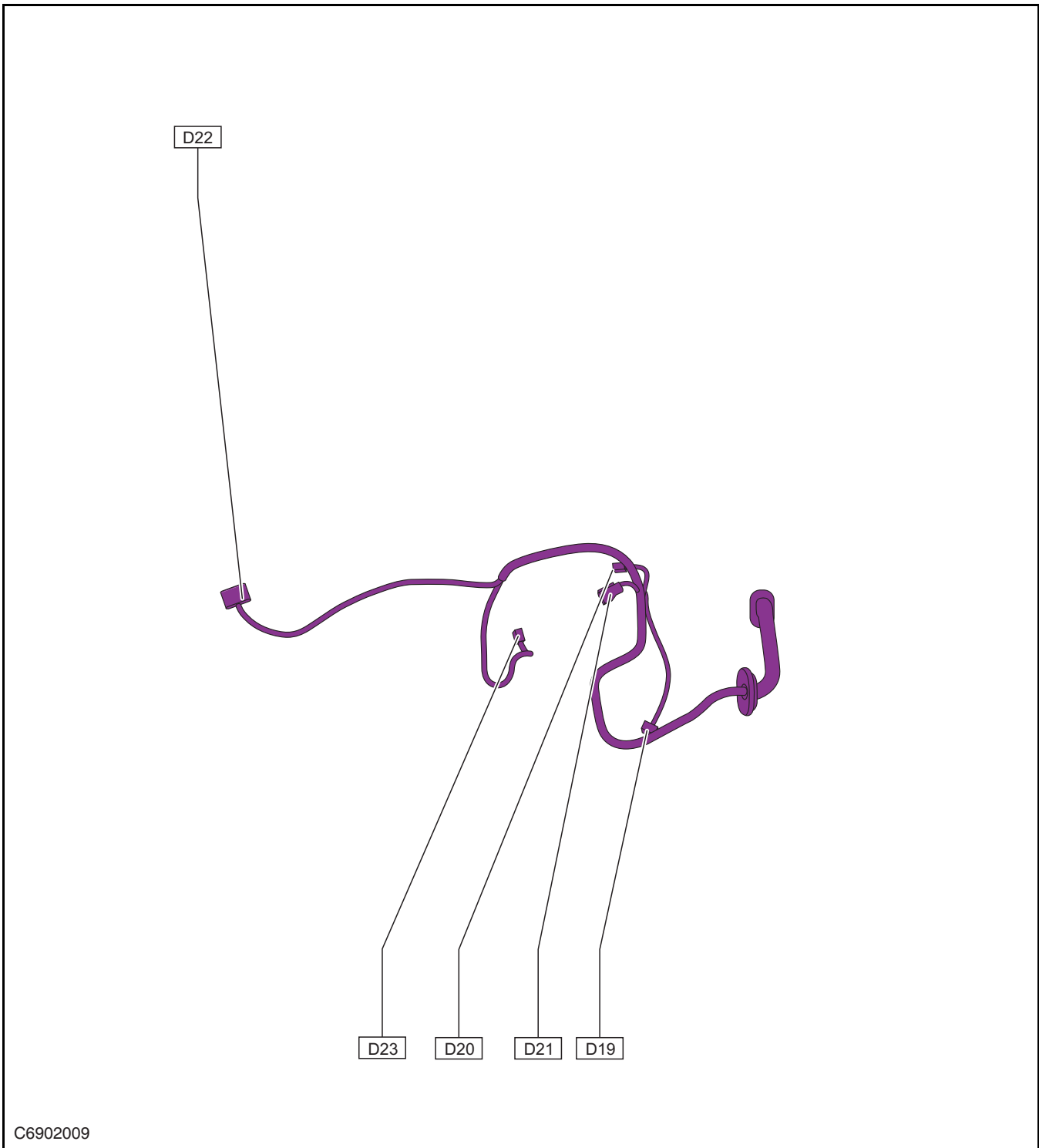




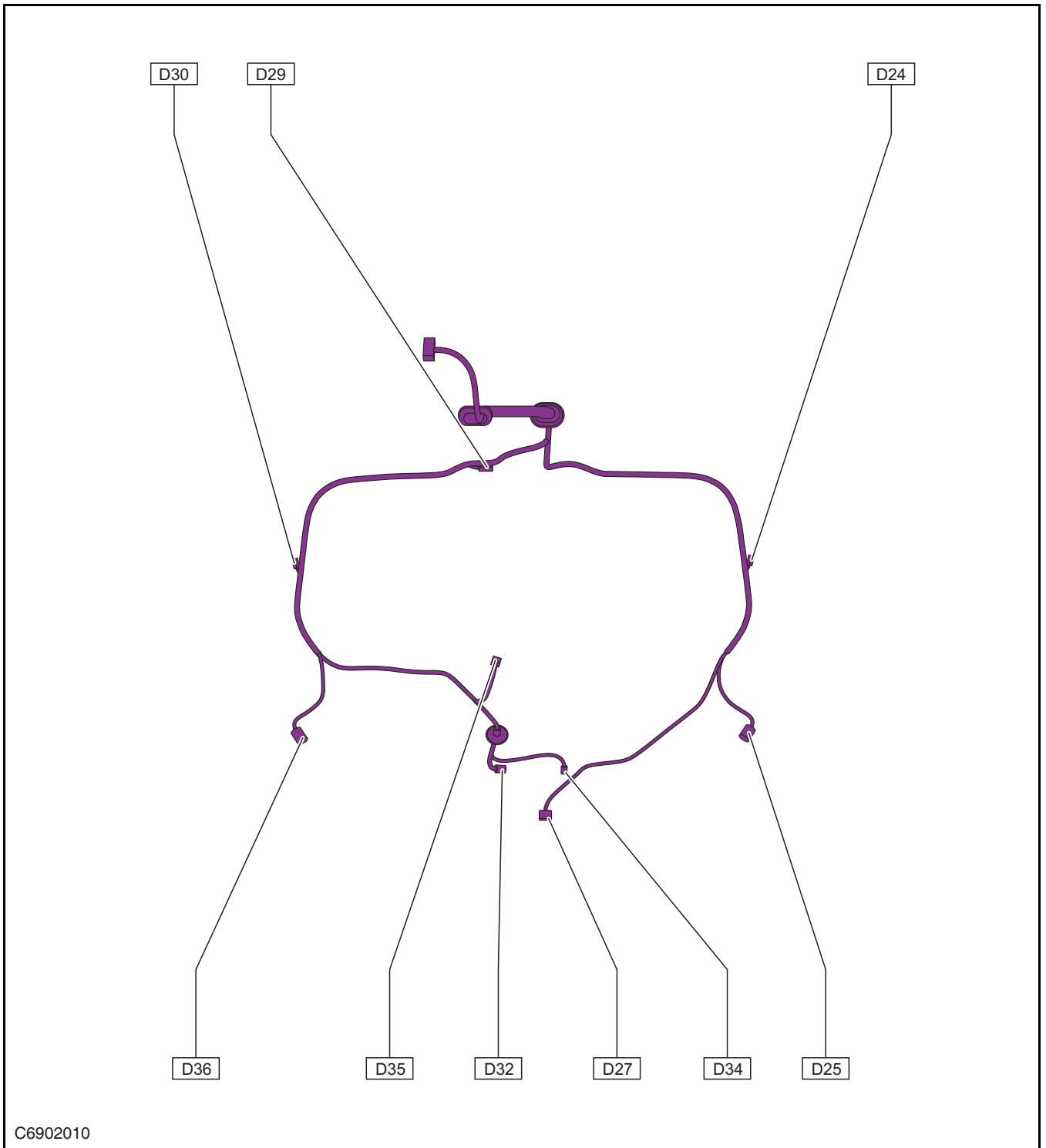
C6902007



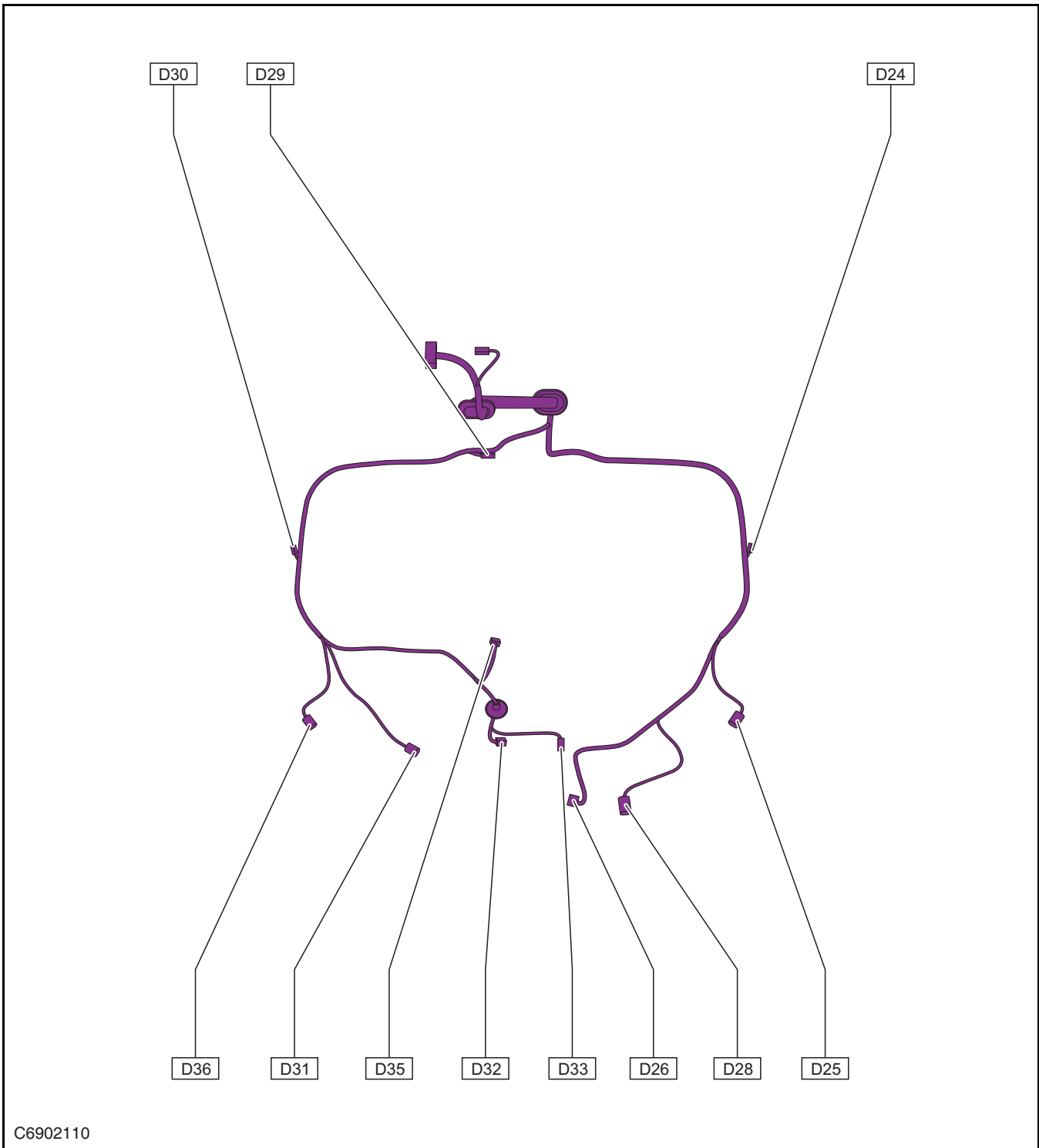
C6902008



C6902009



C6902010



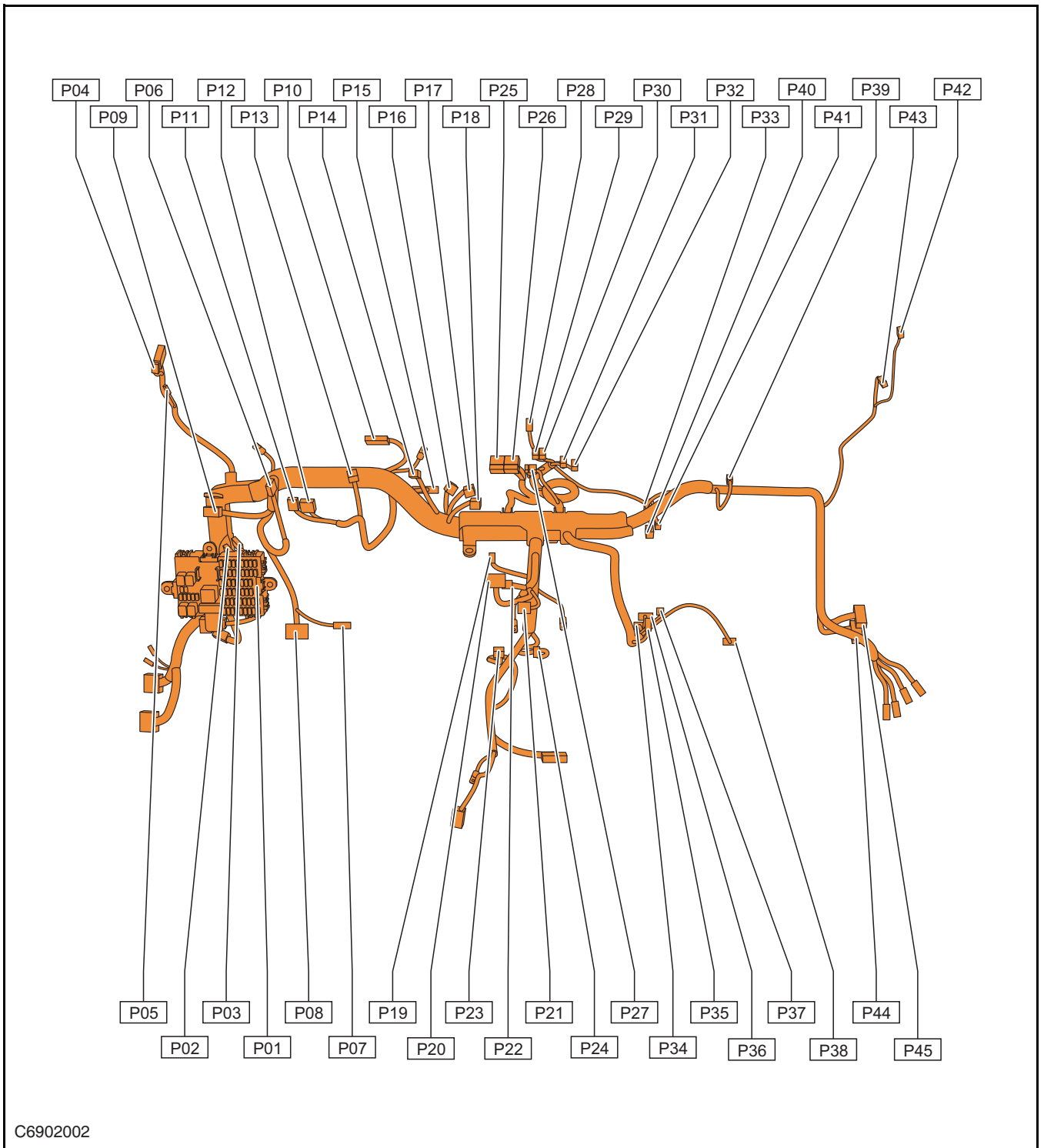
C6902110

Door Wiring Harness Connector (D) Definition List

Connector Name	Definition
Door Handle Button and Antenna (Left Front Door)	D01
Rearview Mirror (Left Front Door)	D02
Panoramic Camera - Left	D03
Window Motor 1 (Left Front Door Four Doors Anti-pinch)	D04
Speaker 1 (Left Front Door)	D05
Window Switch - Main (Four Doors Anti-pinch)	D06
Door Lock Motor (Left Front Door)	D07
Rearview Mirror (Right Front Door)	D08
Panoramic Camera - Right	D09
Window Motor (Right Front Door)	D10
Speaker 1 (Right Front Door)	D11
Window Switch - Sub (Anti-pinch)	D12
Door Lock Motor (Right Front Door)	D13
Speaker 1 (Left Rear Door)	D14
Left Side Antenna	D15
Window Motor (Left Rear Door)	D16
Window Switch - Left Rear Door (Anti-pinch)	D17
Door Lock Motor (Left Rear Door)	D18
Speaker 1 (Right Rear Door)	D19
Right Side Antenna	D20
Window Motor (Right Rear Door)	D21
Window Switch - Right Rear (Anti-pinch)	D22
Door Lock Motor (Right Rear Door)	D23
Rear Defroster Negative	D24
Rear Combination Lamp II - Right	D25
Door Lock Motor - Back Door (High-configuration 1)	D26
Door Lock Motor - Back Door (Low-configuration)	D27
Back Door Close Switch	D28
High Mounted Brake Lamp	D29
Rear Defroster Positive	D30

Connector Name	Definition
Buzzer - Back Door	D31
License Plate Lamp - Left	D32
HD Panoramic Rear Camera	D33
Rear View Camera	D34
Rear Wiper Motor	D35
Rear Combination Lamp II - Left	D36

Instrument Panel Wiring Harness Connector (P--)

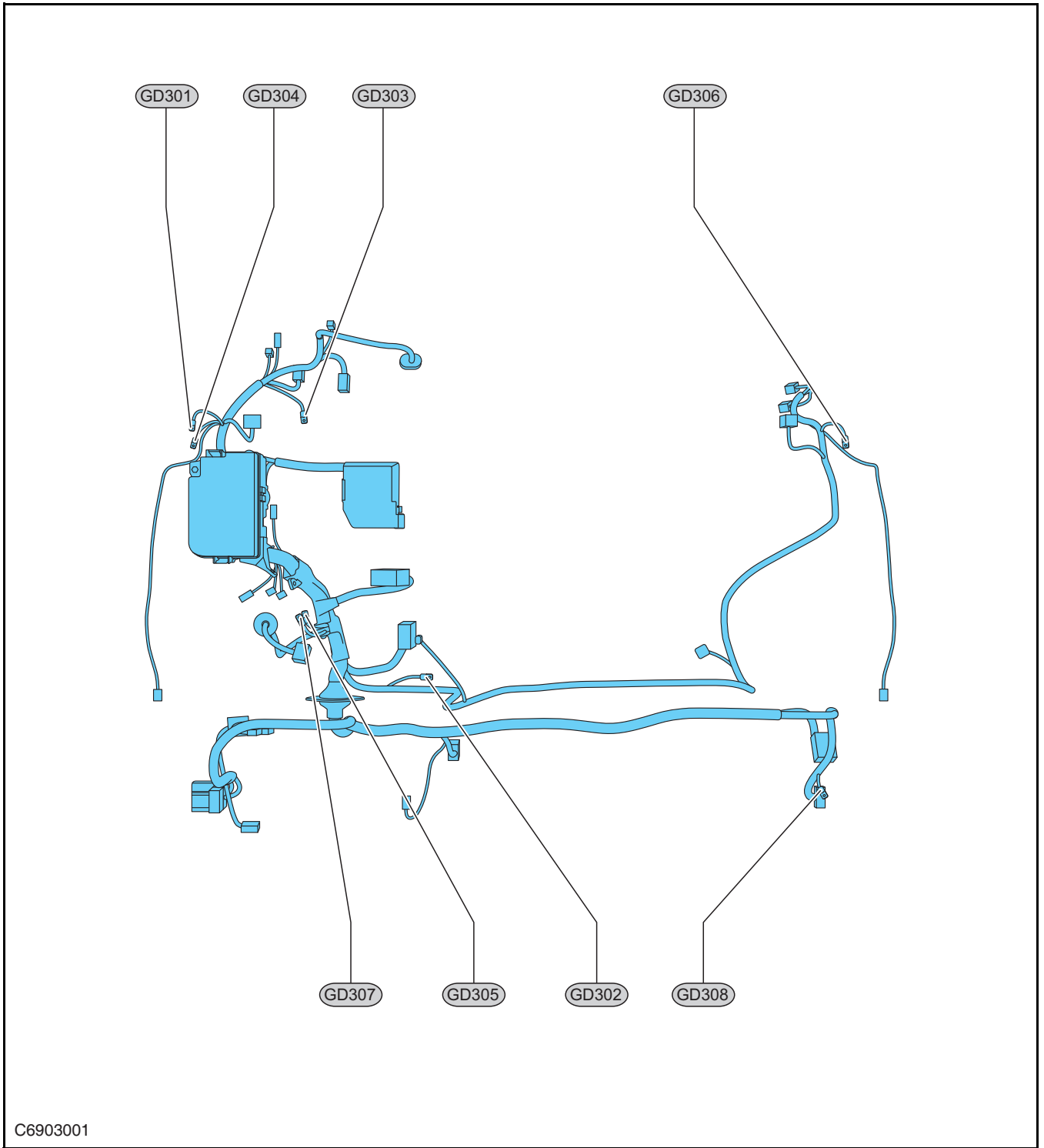


Instrument Panel Wiring Harness Connector (P) Definition List

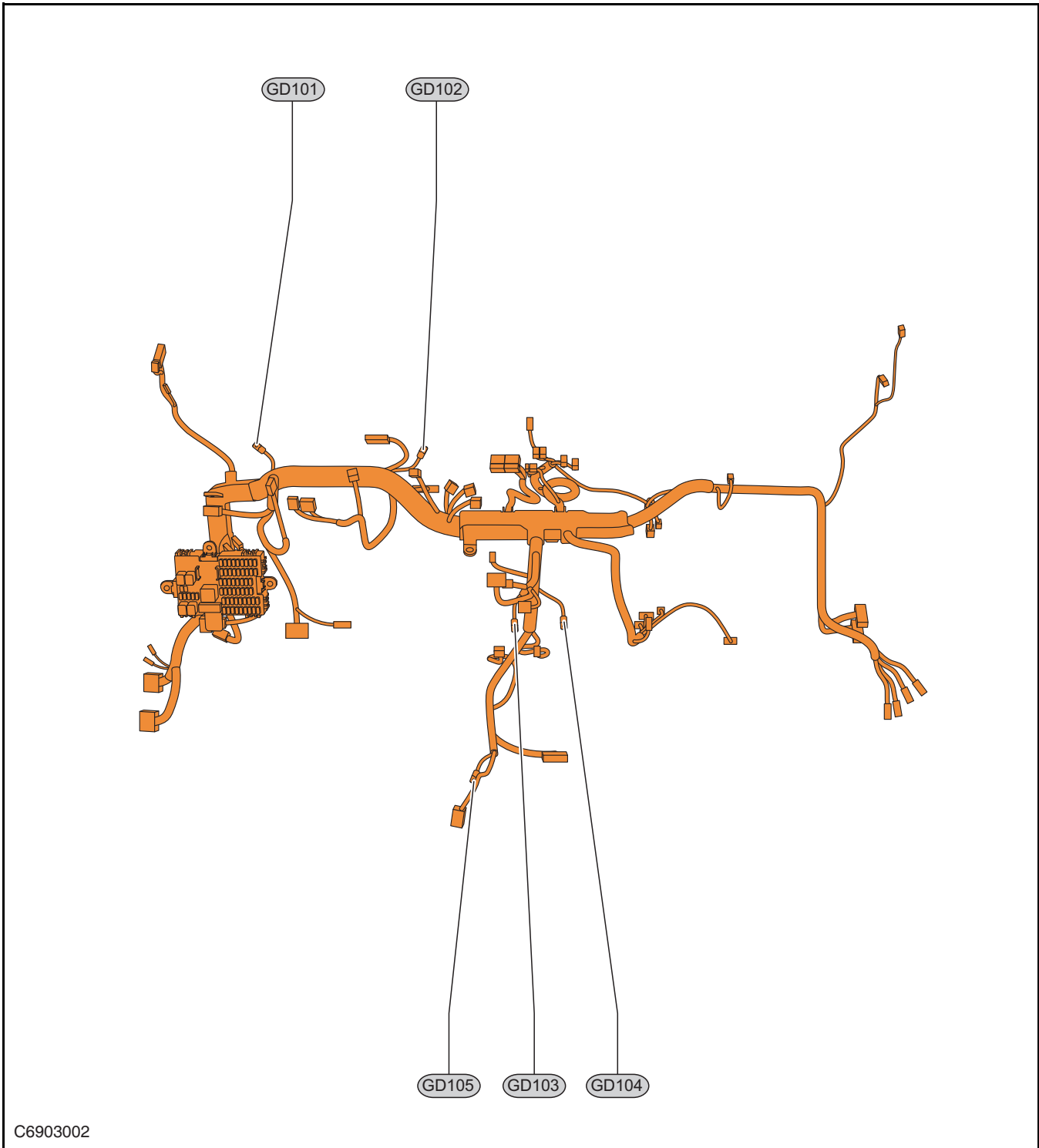
Connector Name	Definition
Instrument Panel Fuse Box	P01
EPS Signal	P02
EPS Power Supply	P03
Tweeter - Left Front	P04
Front Windshield Heater - Left Positive	P05
Combination Switch - Lamp	P06
Emergency Alarm Speaker	P07
Data Link Connector	P08
Instrument Panel Switch Box	P09
SOS - TCU Telematics Control System	P10
Rotary Connector (Driver Airbag) - Universal	P11
Rotary Connector (Multi-functional Switch, High-configuration/ Low-configuration)	P12
Combination Switch - Wiper	P13
Instrument Cluster Head Unit Controller (Display)	P14
Instrument Cluster Head Unit Controller	P15
Room Temperature Sensor	P16
ENGINE START STOP Switch	P17
Center Control Panel (Automatic)	P18
Wireless Charging	P19
Central Box Switch Box	P20
Front Antenna (Electronic Shift)	P21
Electronic Shift Control Assembly	P22
Power Outlet	P23
TF - Card Slot	P24
Entertainment and Audio Head Unit - A2	P25
Entertainment and Audio Head Unit - B	P26
Emergency Alarm Switch	P27
Entertainment and Audio Head Unit (GPS Antenna)	P28
Entertainment and Audio Head Unit (Radio Antenna)	P29

Connector Name	Definition
Entertainment and Audio Head Unit (Integrated Panoramic View Controller)	P30
Entertainment and Audio Head Unit (USB for Instrument Cluster)	P31
Entertainment and Audio Head Unit (Panoramic Remote View)	P32
Mode Damper Actuator	P33
Evaporator Temperature Sensor	P34
Speed Regulation Module	P35
Ion Generator	P36
Right Mix Damper Actuator	P37
Blower	P38
Front Passenger Airbag	P39
Ambient Light Sensor/Sunlight Sensor	P40
Inner and Outer Recirculation Damper Actuator	P41
Tweeter - Right Front	P42
Front Windshield Heater - Right Positive	P43
BDC-J1	P44
BDC-J2	P45
Central Box Switch Box* (Low-configuration)	P46

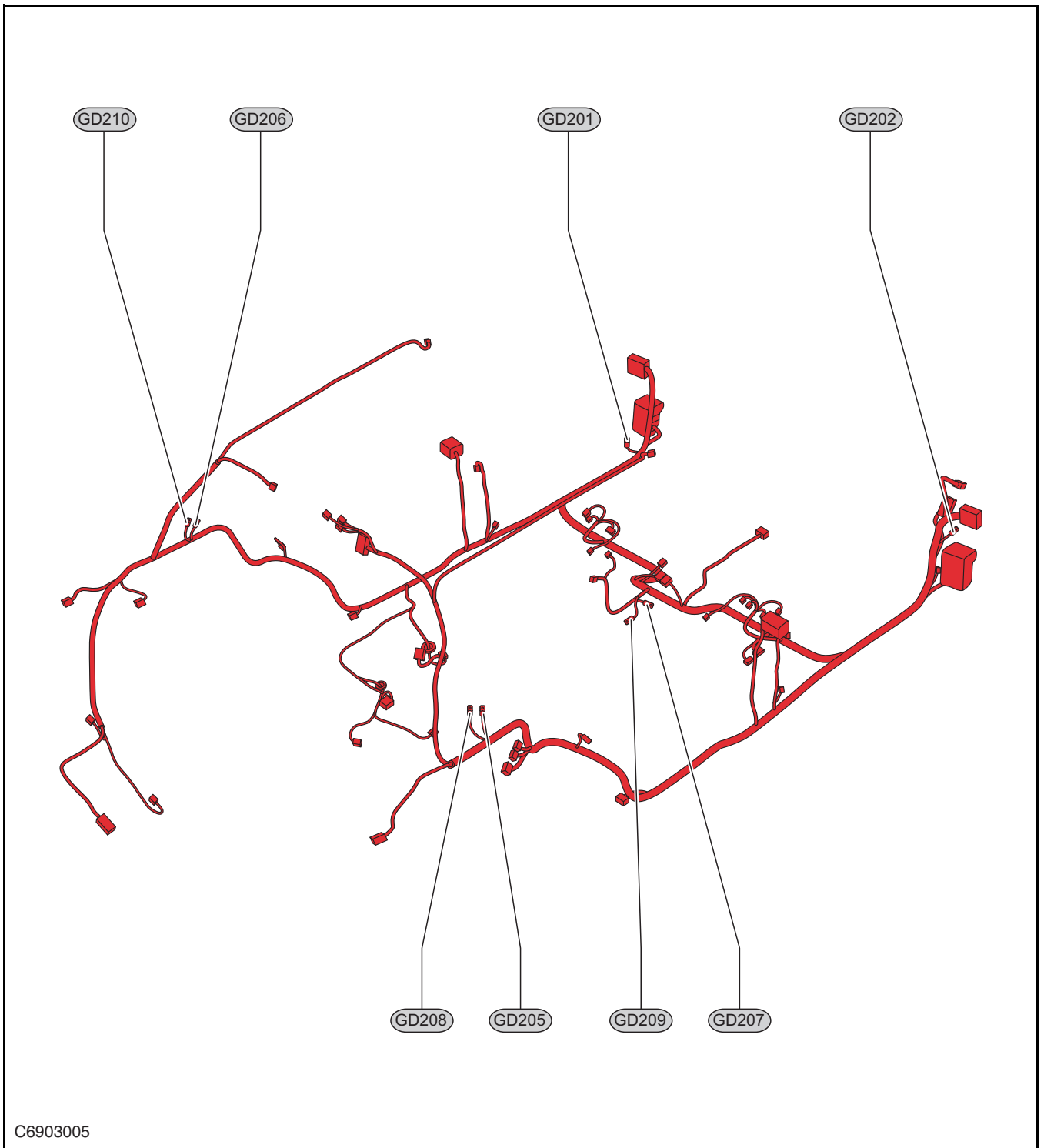
GD301 GD302 GD303 GD304 GD305 GD306 GD307 GD308



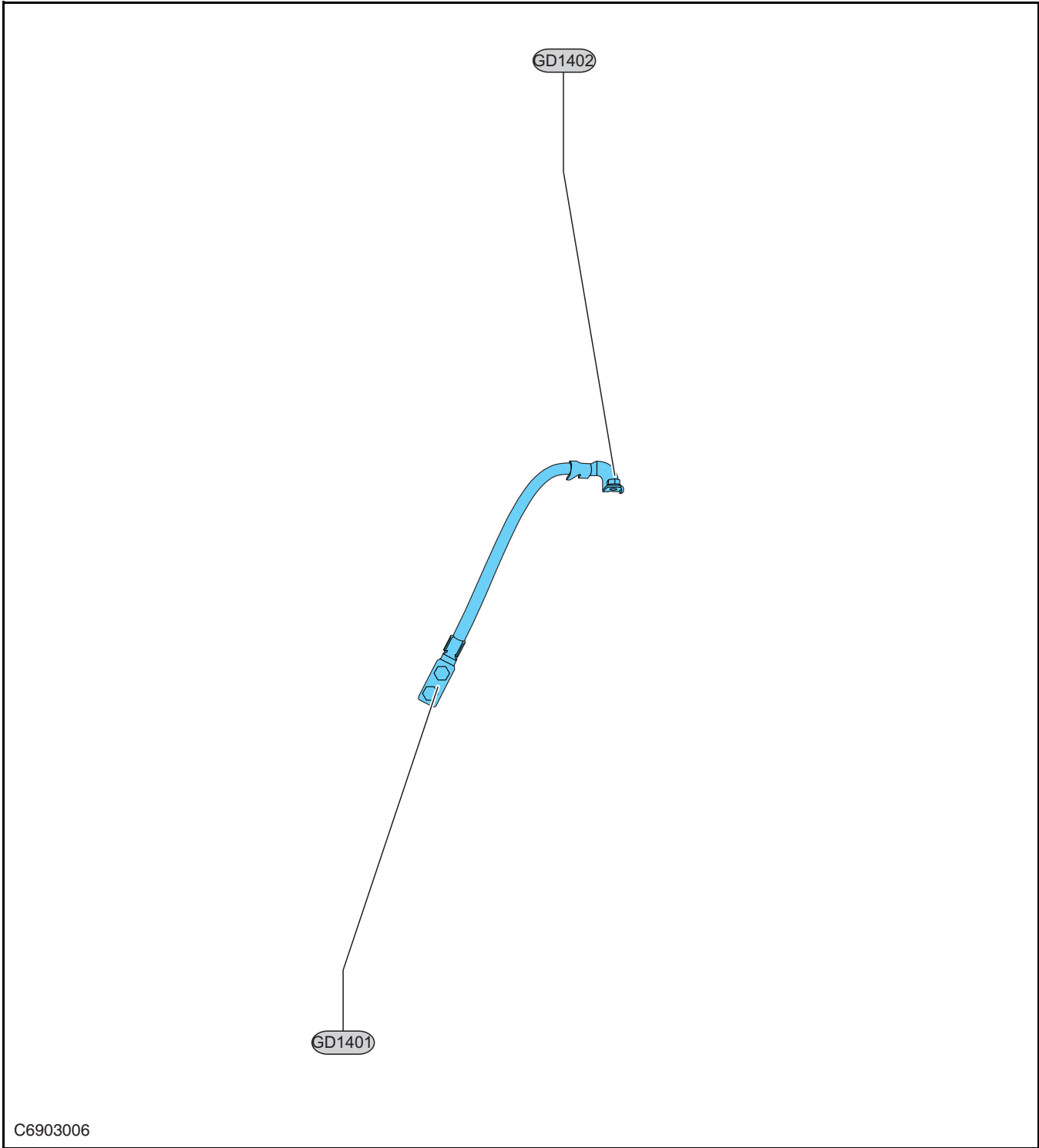
GD101 GD102 GD103 GD104 GD105



GD201 GD202 GD205 GD206 GD207 GD208 GD209 GD210

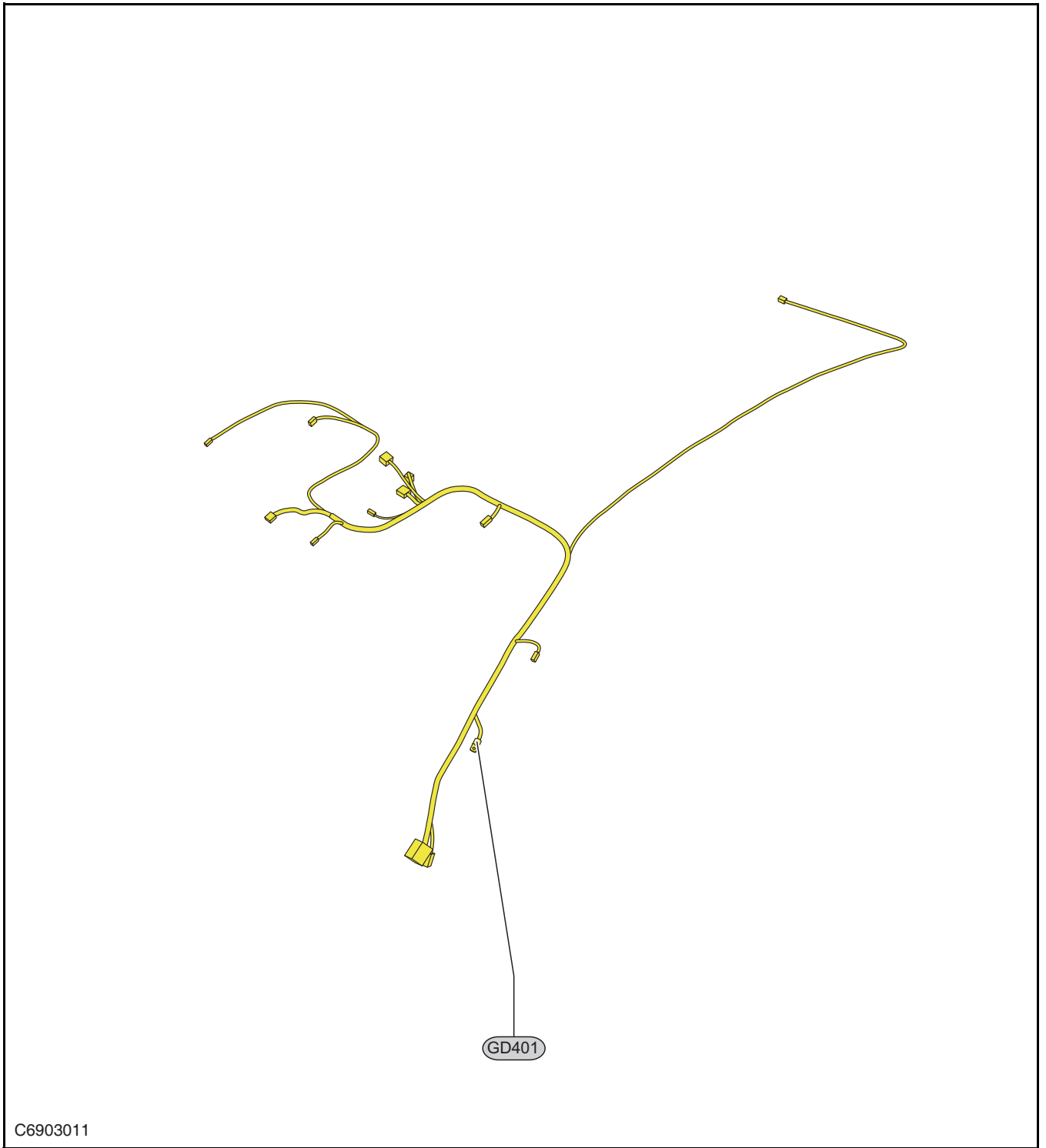


GD1401 GD1402



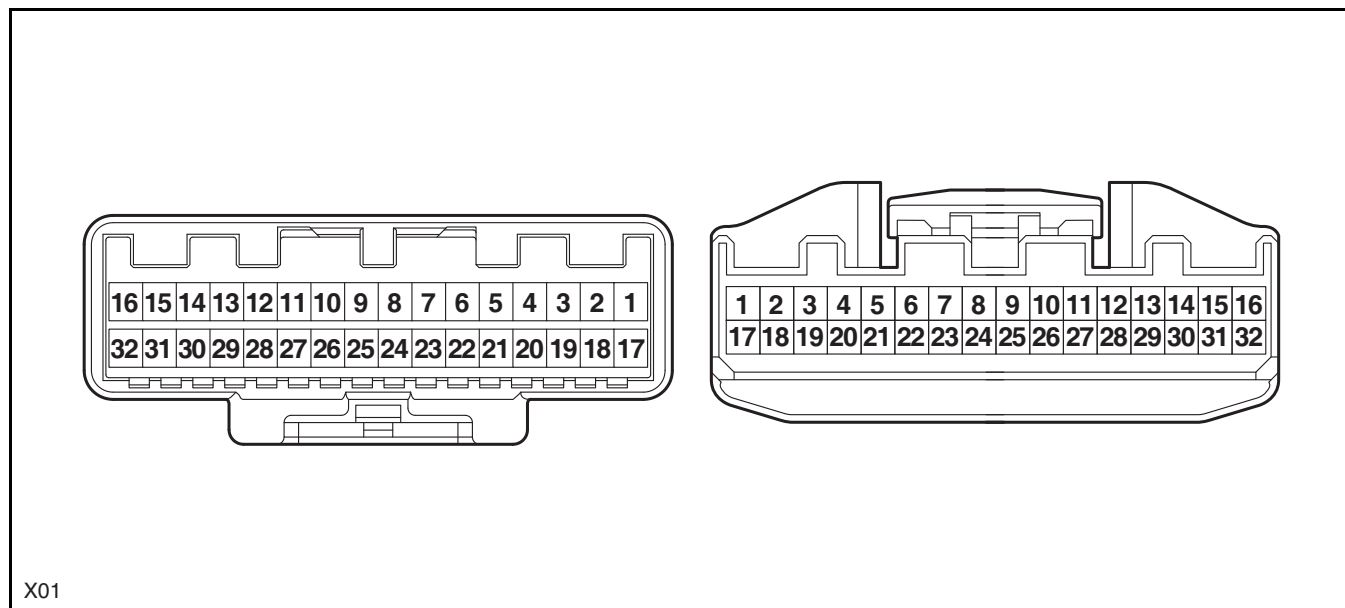
C6903006

GD401



C6903011

Wiring Harness to Wiring Harness Connector (X--)

Engine Compartment Wiring Harness to Engine Wiring
Harness (1)Engine Wiring Harness (1) to Engine Compartment
Wiring Harness

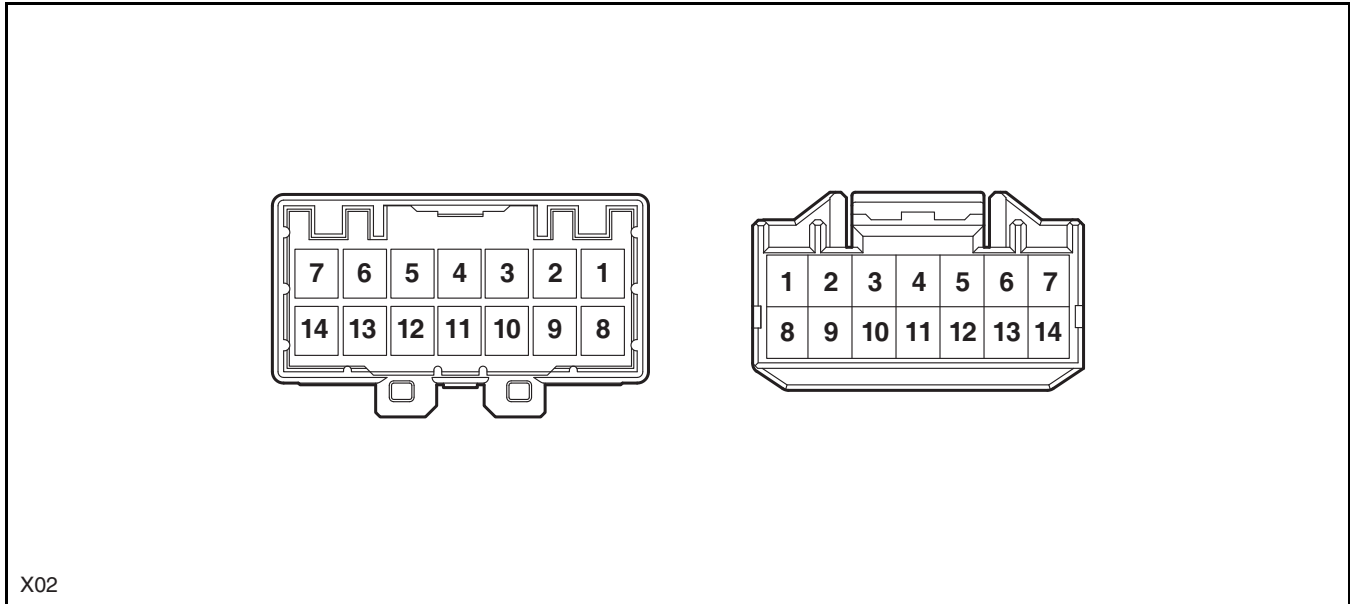
X01 Wiring Harness Connector Pin Definition

Pin No.	Wire Diameter/Color	Function
1	0.5 GY	Front Oxygen Sensor Signal 2
2	0.5 RD	Front Oxygen Sensor Output
3	-	-
4	0.5 WH	Front Oxygen Sensor Signal 1
5	0.5 BN	Rear Oxygen Sensor
6	0.5 GY/GN	Rear Oxygen Sensor Grounding
7	0.5 OG/BK	Rear Oxygen Sensor Heater
8	0.5 YE/GN	PCJ Control Valve Signal
9	0.5 BU/WH	Carbon Canister Solenoid Valve Signal
10	0.5 YE/RD	OCV Exhaust Valve Signal
11	0.5 YE/WH	OCV Intake Valve Signal
12	0.5 PK/BU	Variable Displacement Oil Pump Signal
13	-	-
14	-	-
15	-	-
16	-	-

Pin No.	Wire Diameter/Color	Function
17	0.35 RD/BU	Fuel Tank Pressure Sensor Pressure Signal Output
18	0.35 GN/YE	Fuel Tank Pressure Sensor Grounding
19	0.35 GY/BK	Fuel Tank Pressure Sensor Power Supply
20	0.5 RD/BK	Oil Pressure Sensor Signal

Engine Compartment Wiring Harness to Engine Wiring
Harness (2)

Engine Wiring Harness (2) to Engine Compartment
Wiring Harness



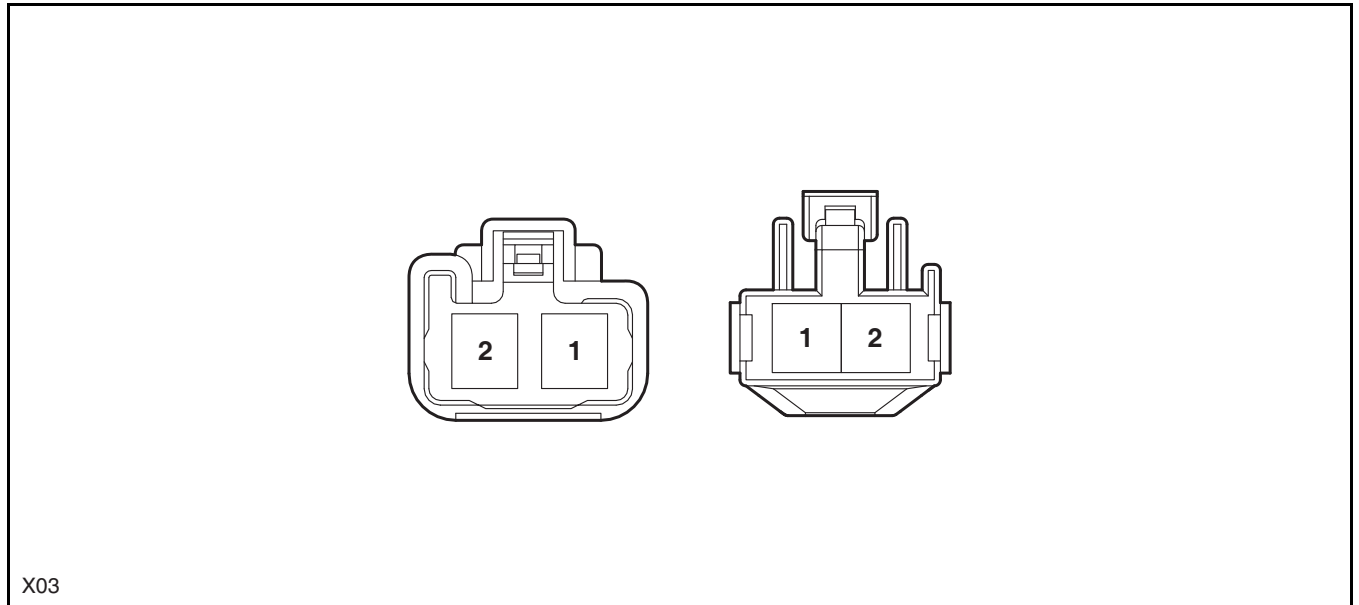
X02 Wiring Harness Connector Pin Definition

Pin No.	Wire Diameter/Color	Function
1	2.0 YE	Starting Motor/Alternator
2	-	-
3	1.25 YE	Ignition Coil Power Supply
4	0.75 BN/WH	Compressor Relay
5	0.75 RD/GN	Electric Auxiliary Water Pump, PCJ Control Valve and Variable Displacement Oil Pump
6	-	-
7	0.75 RD/BK	Front Oxygen Heater Signal
8	0.75 YE	Air Intake Pressure Discharge Valve Signal
9	-	-
10	-	-
11	1.25 WH/GN	Engine Main Relay Power Supply

Pin No.	Wire Diameter/Color	Function
12	-	-
13	0.75 BK	Electric Auxiliary Water Pump Grounding
14	0.5 VT	Electric Auxiliary Water Pump Signal

Engine Compartment Wiring Harness to Engine Wiring
Harness (3)

Engine Wiring Harness (3) to Engine Compartment
Wiring Harness



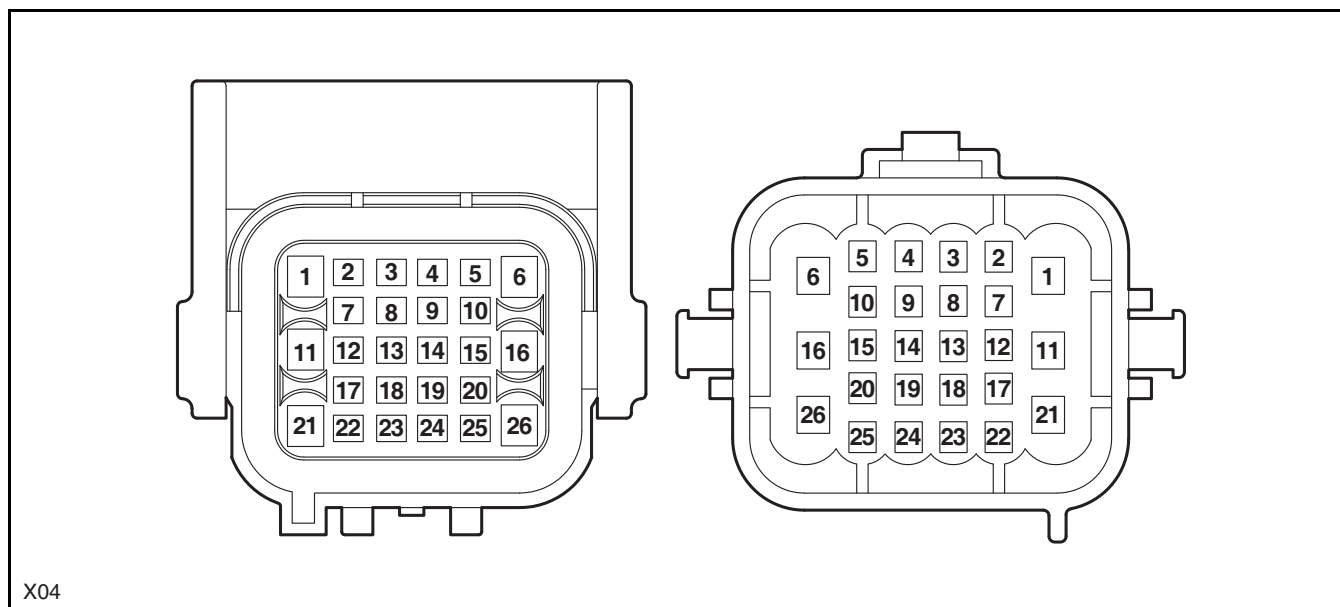
X03

X03 Wiring Harness Connector Pin Definition

Pin No.	Wire Diameter/Color	Function
1	2.0 YE	Electric Auxiliary Water Pump, PCJ Control Valve and Variable Displacement Oil Pump
2	-	-

Engine Compartment Wiring Harness to Front End
Module Wiring Harness

Front End Module Wiring Harness to Engine
Compartment Wiring Harness



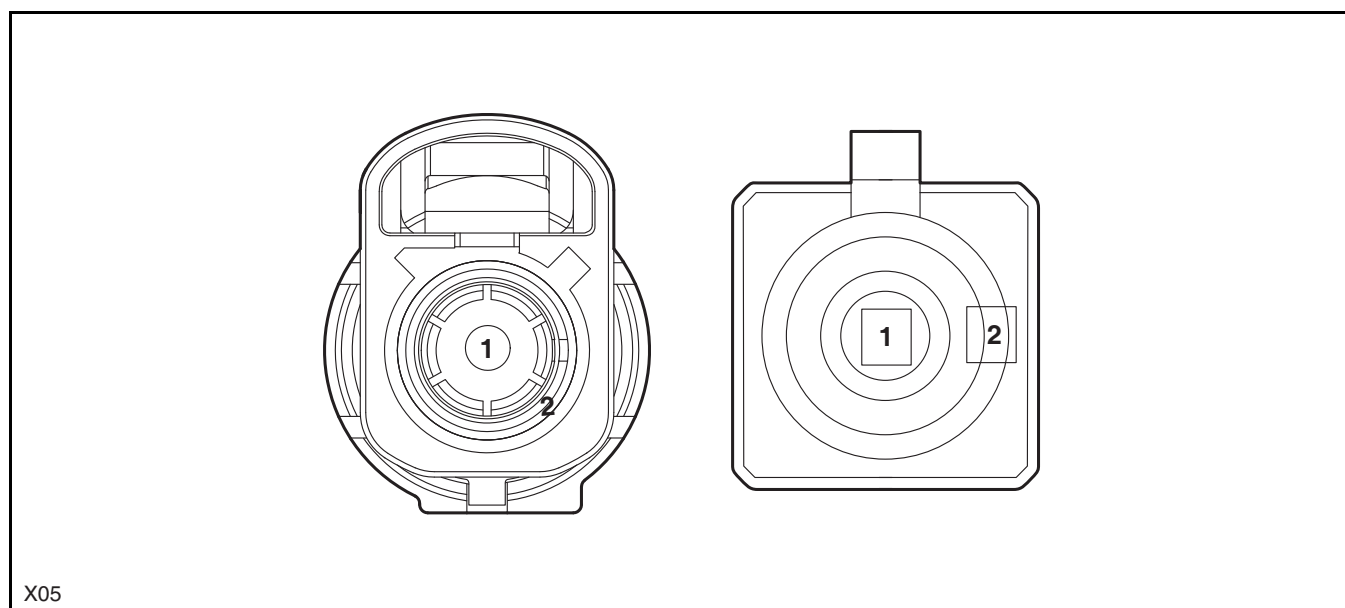
X04 Wiring Harness Connector Pin Definition

Pin No.	Wire Diameter/Color	Function
1	0.75 GB/YE	Electric Horn - High Power Supply
2	0.35 WH/GN	CAN-L
3	0.35 WH	CAN-H
4	0.35 WH/RD	Outside Temperature Input
5	0.35 BU/RD	Outside Temperature Sensor Grounding
6	0.75 BK	Grounding
7	0.5 GO/BU	Sensor Power Supply
8	0.35 BU	CAN-H
9	0.35 BU/YE	CAN-L
10	0.75 BK	Sensor Grounding
11	-	-
12	0.5 GN/WH	Right Front Collision Sensor Positive
13	0.5 GN/VT	Right Front Collision Sensor Negative
14	-	-
15	-	-
16	0.75 YE	Constant Power Supply
17	-	-

Pin No.	Wire Diameter/Color	Function
18	-	-
19	0.35 BU	CAN-H
20	0.35 BU/YE	CAN-L
21	0.75 BK	Electric Horn - High Grounding
22	-	-
23	-	-
24	-	-
25	-	-
26	-	-

Engine Compartment Wiring Harness to Front End Module Wiring Harness (Panoramic View Camera to HU)

Front End Module Wiring Harness (Panoramic View Camera to HU) to Engine Compartment Wiring Harness

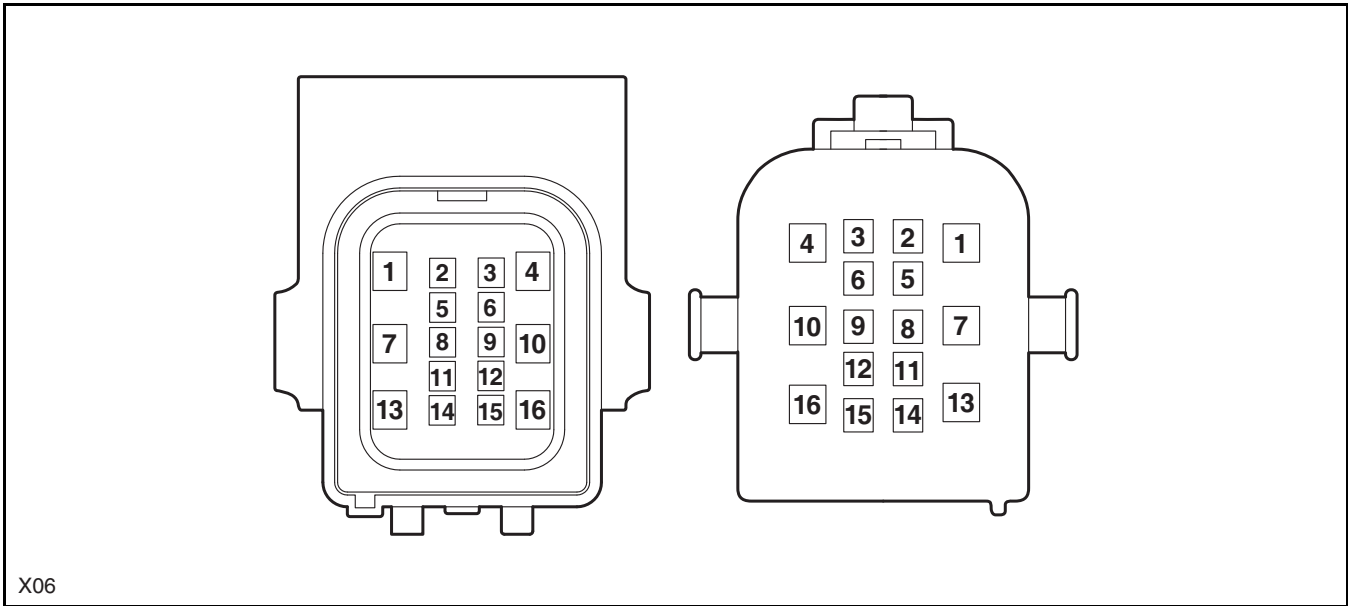


X05 Wiring Harness Connector Pin Definition

Pin No.	Wire Diameter/Color	Function
1	0.5 BU	Front Camera Signal
2	0.3 WH	Front Camera Shielded Wire

Engine Compartment Wiring Harness to Transmission
Wiring Harness

Transmission Wiring Harness to Engine Compartment
Wiring Harness

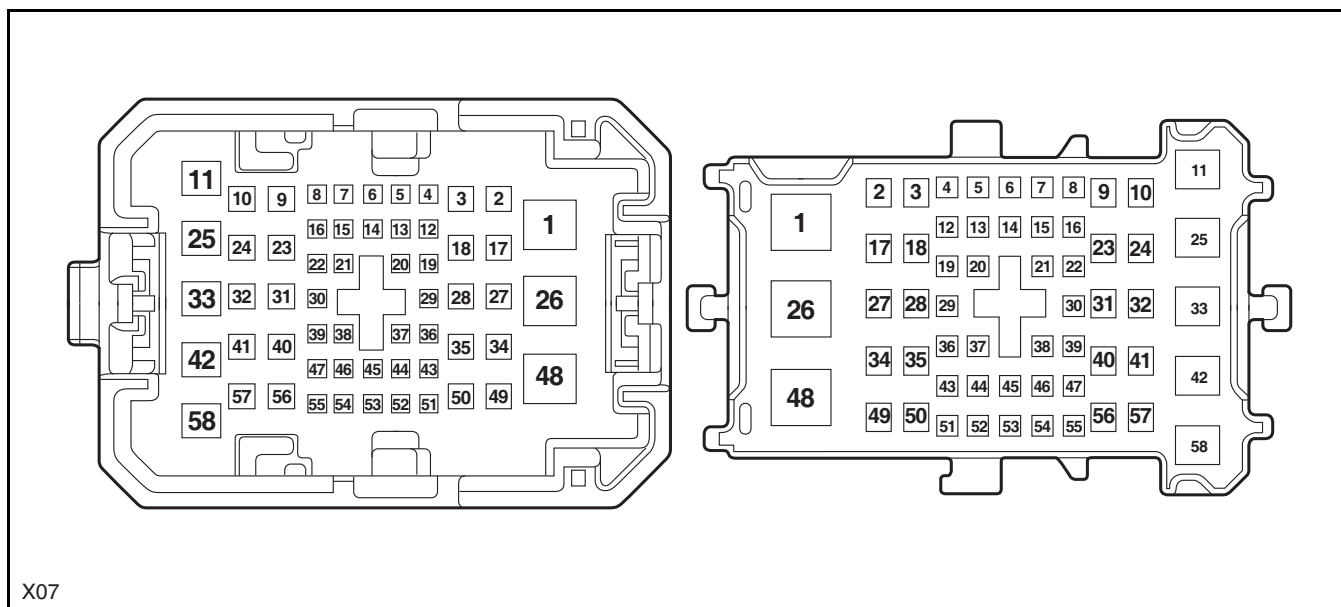


X06 Wiring Harness Connector Pin Definition

Pin No.	Wire Diameter/Color	Function
1	2.0 RD	TCU Power Supply
2	0.35 LG	CAN-H
3	0.35 LG/BK	CAN-L
4	2.0 BK	Grounding
5	0.35 WH/YE	Back-up Lamp Signal
6	0.35 GN/BU	P/N Position Signal
7	2.0 RD	TCU Power Supply
8	0.75 WH/BN	Manual/Automatic Mode
9	0.75 YE/GN	TIP-
10	-	-
11	0.5 YE/RD	TCU Wake Up
12	0.5 RD/BU	TIP+
13	-	-
14	0.5 VT	Shift Position Feedback
15	0.5 EH/BK	Grounding
16	-	-

Engine Compartment Wiring Harness to Instrument
Panel Wiring Harness (Left 1)

Instrument Panel Wiring Harness (Left 1) to Engine
Compartment Wiring Harness



X07 Wiring Harness Connector Pin Definition

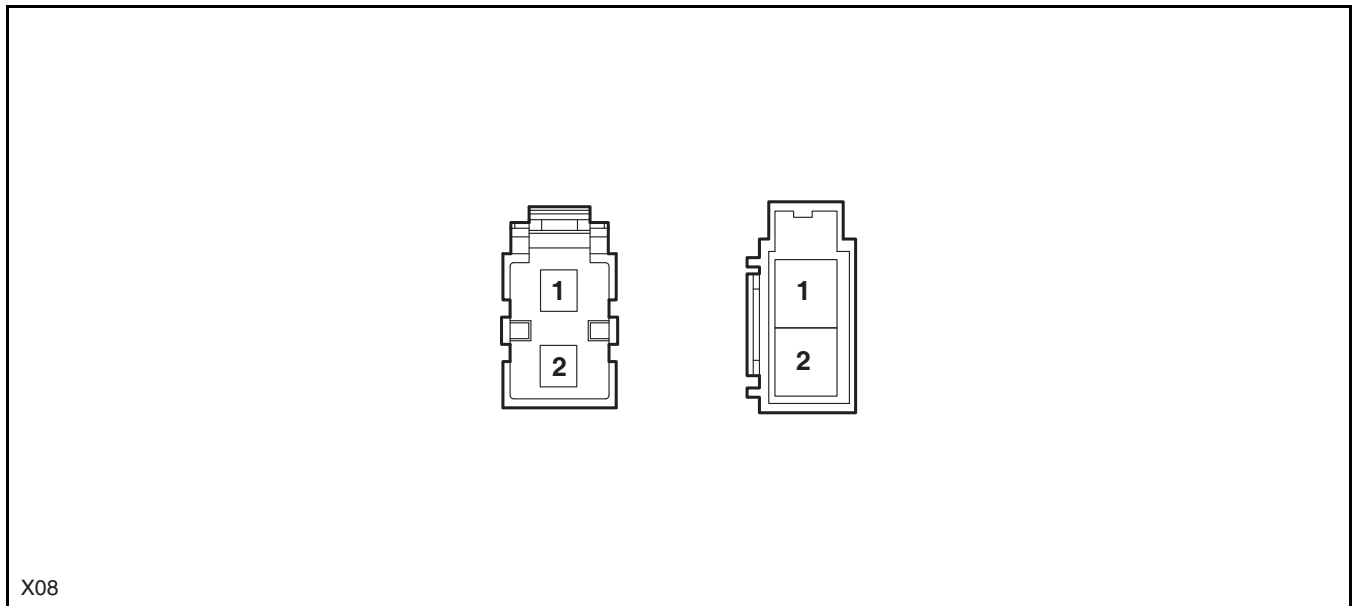
Pin No.	Wire Diameter/Color	Function
1	3.0 RD	Blower Motor +
2	0.3 BU/RD	A/C Pipe Pressure Sensor Grounding
3	-	-
4	0.3 OG	Electronic Shift Actuator Controller IG1 Power Supply
5	0.3 BU	CAN-H
6	-	-
7	0.35 YE	Self-adaptive Cruise
8	0.35 BU/YE	Self-adaptive Cruise
9	0.35 LG/BK	CAN-L
10	0.75 BU/RD	Rear Washer Motor Switch
11	1.25 RD/GN	Electronic Shift Actuator Controller Constant Power Supply
12	-	-
13	0.3 GN/BU	A/C Pressure Switch
14	0.3 BU/YE	CAN-L
15	0.5 BN/YE	Manual Shifting -
16	0.5 YE/BU	Manual Shifting +
17	0.5 RD/BU	Shifter Manual Mode

Pin No.	Wire Diameter/Color	Function
18	-	-
19	0.5 BN/BU	Brake Switch
20	-	-
21	0.3 VT/GN	Brake Fluid Level Low Signal
22	0.5 RD/BK	Oil Pressure Alarm Signal
23	0.3 LG	CAN-H
24	0.75 YE/BN	Front Washer Motor Switch
25	2.5 RD/WH	AM1
26	2.5 BU	Left Front Windshield Heater +
27	-	-
28	-	-
29	0.3 GN/VT	Headlamp Leveling Output
30	0.3 WH/GN	A/C Pipe Pressure Sensor Power Supply
31	-	-
32	-	-
33	2.0 YE/BU	GI1
34	0.3 YE/BK	EPB_SW1
35	0.3 PK/BU	EPB_SW6
36	0.3 WH/BK	EPB_SW3
37	0.3 OG/GN	EPB_SW4
38	0.3 WH/RD	Outside Temperature Input
39	0.3 YE/GN	IPB-LED Lamp
40	0.3 OG/BN	Blower Relay Control
41	-	-
42	2.5 RD/WH	Right Front Windshield Heater +
43	0.3 BU/YE	CAN-L
44	0.3 BU	CAN-H
45	-	-
46	0.3 BU/RD	Outside Temperature Sensor Signal
47	-	-
48	-	-

Pin No.	Wire Diameter/Color	Function
49	-	-
50	-	-
51	-	-
52	0.3 VT	CAN-H
53	0.3 VT/WH	CAN-L

Engine Compartment Wiring Harness to Instrument
Panel Wiring Harness (Left 2)

Instrument Panel Wiring Harness (Left 2) to Engine
Compartment Wiring Harness

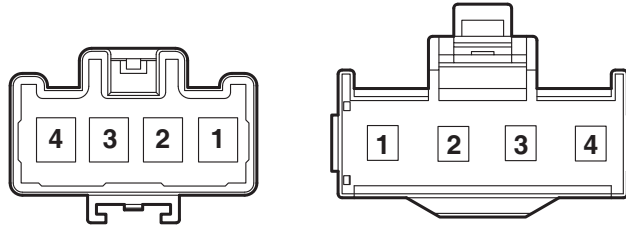


X08 Wiring Harness Connector Pin Definition

Pin No.	Wire Diameter/Color	Function
1	8.0 RD	Power Supply

Engine Compartment Wiring Harness to Instrument
Panel Wiring Harness (Left 3)

Instrument Panel Wiring Harness (Left 3) to Engine
Compartment Wiring Harness



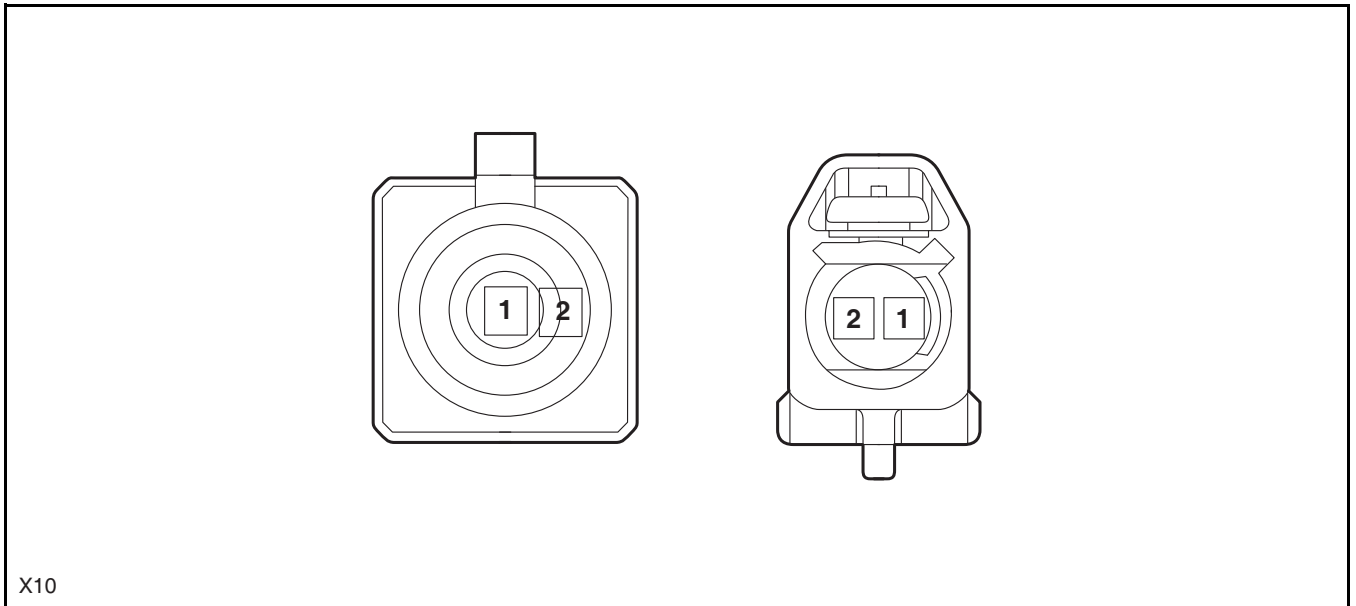
X09

X09 Wiring Harness Connector Pin Definition

Pin No.	Wire Diameter/Color	Function
1	-	-
2	-	-
3	5.0 RD	A/C Panel ACC Power Supply
4	5.0 RD/WH	Sunroof Controller Power Supply

Engine Compartment Wiring Harness to Instrument Panel Wiring Harness (Panoramic View Camera to HU)

Instrument Panel Wiring Harness (Panoramic View Camera to HU) to Engine Compartment Wiring Harness

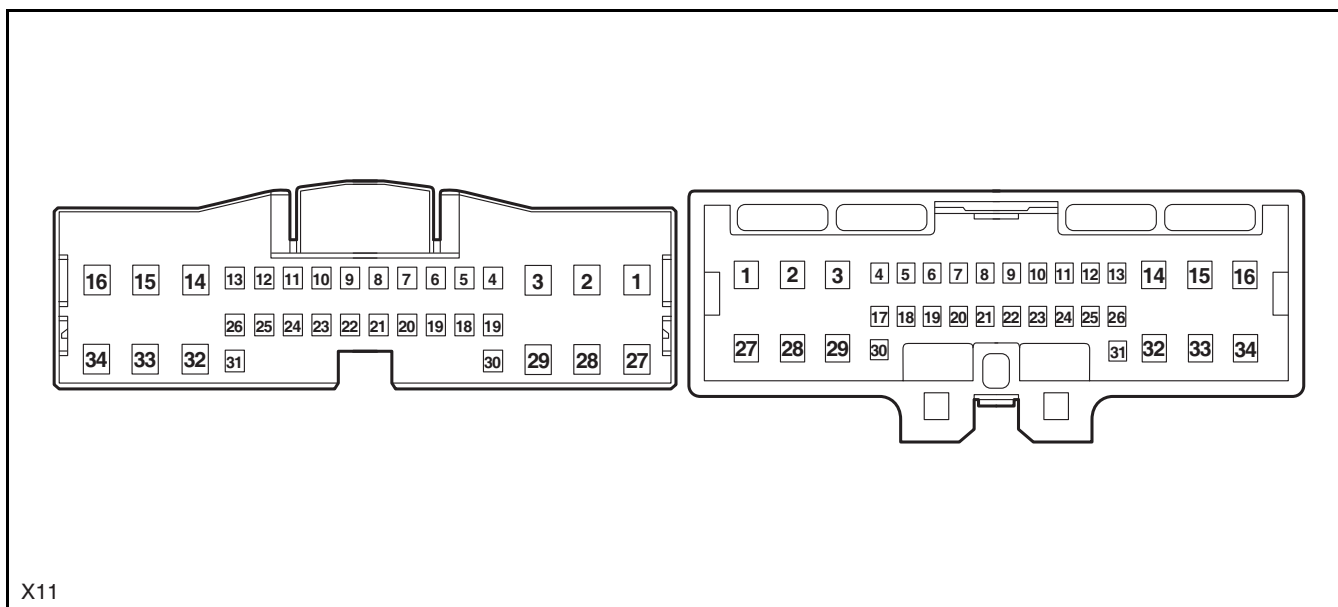


X10 Wiring Harness Connector Pin Definition

Pin No.	Wire Diameter/Color	Function
1	0.5 BU	Front Panoramic View Camera Signal
2	0.5 WH	Front Panoramic View Camera Shielded Wire

Engine Compartment Wiring Harness to Chassis
Wiring Harness (Left 1)

Chassis Wiring Harness (Left 1) to Engine
Compartment Wiring Harness



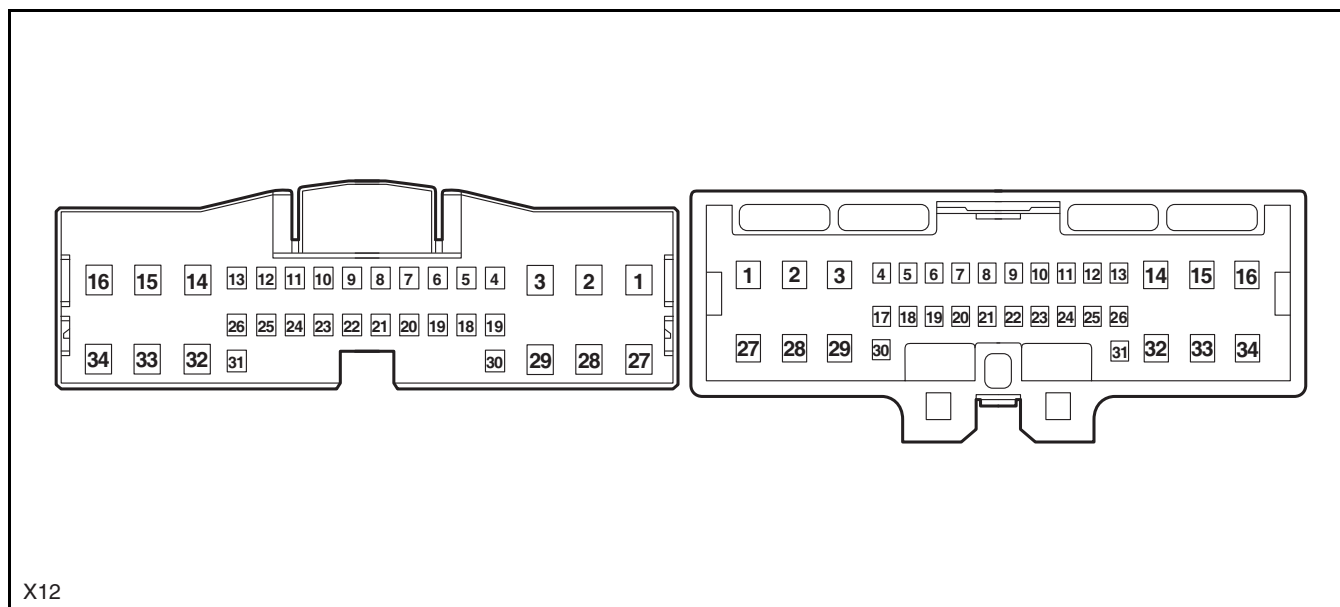
X11 Wiring Harness Connector Pin Definition

Pin No.	Wire Diameter/Color	Function
1	-	-
2	0.5 BK/RD	Back Door Controller to ECU Constant Power Supply
3	-	-
4	0.5 GN/YE	Driver Front Sensor Positive
5	-	-
6	-	-
7	-	-
8	-	-
9	-	-
10	-	-
11	-	-
12	-	-
13	-	-
14	0.5 WH/GN	Carbon Canister Stop Valve Power Supply +
15	2.5 BU/BK	-
16	2.0 BU/GN	Fuel Pump Positive
17	0.5 VT/OG	Driver Front Sensor Negative

Pin No.	Wire Diameter/Color	Function
18	-	-
19	-	-
20	0.3 GY/RD	-
21	0.3 GY/BU	-
22	0.3 GY/YE	Fuel Tank Pressure Sensor Grounding
23	0.3 GY/BK	Fuel Tank Pressure Sensor Power Supply
24	0.3 RD/BU	Fuel Tank Pressure Sensor Pressure Signal Output
25	0.3 EH/GN	CAN-L
26	0.3 WH	CAN-H
27	2.0 YE/VT	Driver Anti-pinch Door Window Motor Power Supply
28	2.5 RD	Back Door Controller Motor Constant Power Supply
29	0.5 GN/WH	Left Front Turn Lamp + Left Rearview Mirror Turn Lamp Signal
30	0.3 RD	Outside Rearview Mirror Motor Heating Element Power Supply
31	0.5 GN/BU	Carbon Canister Stop Valve Power Supply -
32	1.25 GY/BU	Left Low Beam Output
33	2.5 VT	Left EPB Motor Positive

Engine Compartment Wiring Harness to Chassis
Wiring Harness (Right 1)

Chassis Wiring Harness (Right 1) to Engine
Compartment Wiring Harness



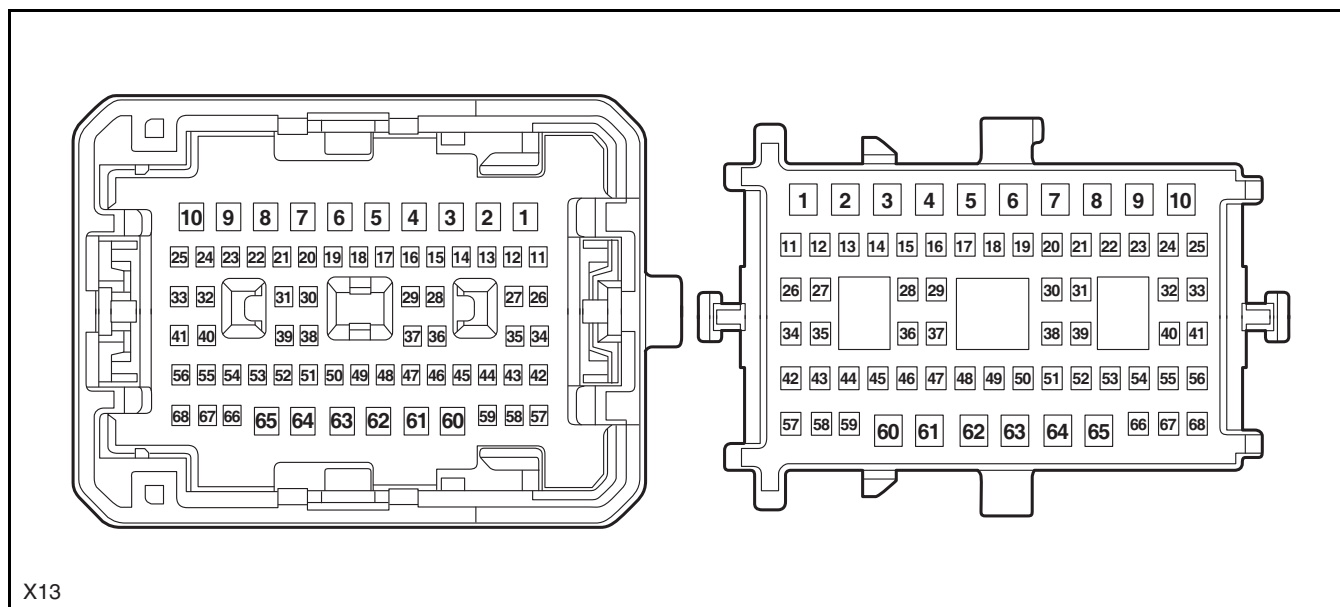
X12 Wiring Harness Connector Pin Definition

Pin No.	Wire Diameter/Color	Function
1	2.5 VT	Rear Defroster Power Supply
2	-	-
3	1.25 RD/WH	Rear Wiper Operation
4	0.5 GN/WH	Passenger Front Sensor Positive
5	0.3 GN/BU	Right Rear Wheel Speed Sensor Grounding
6	0.5 GN/YE	Daytime Running Lamp Signal
7	0.3 PK	LIN
8	0.5 WH/VT	Left Daytime Running Lamp Signal
9	-	-
10	-	-
11	-	-
12	-	-
13	-	-
14	0.5 GN/BK	Right Front Turn Lamp + Right Rearview Mirror Turn Lamp Signal
15	2.5 GY	Right EPB Motor Negative
16	0.5 RD/GN	Front Position Lamp (Left, Right) and License Plate Lamp Signal

Pin No.	Wire Diameter/Color	Function
17	0.5 GN/VT	Passenger Front Sensor Negative
18	0.3 GN/YE	Right Rear Wheel Speed Sensor Power Supply
19	-	-
20	-	-
21	-	-
22	-	-
23	-	-
24	-	-
25	-	-
26	-	-
27	2.0 YE	Constant Power Supply
28	-	-
29	-	-
30	-	-
31	-	-
32	-	-
33	2.5 GY/BK	Right EPB Motor Positive
34	1.25 PK/BN	Right Low Beam Lamp Output

Chassis Wiring Harness to Instrument Panel Wiring
Harness (Left 1)

Instrument Panel Wiring Harness (Left 1) to Chassis
Wiring Harness



X13 Wiring Harness Connector Pin Definition

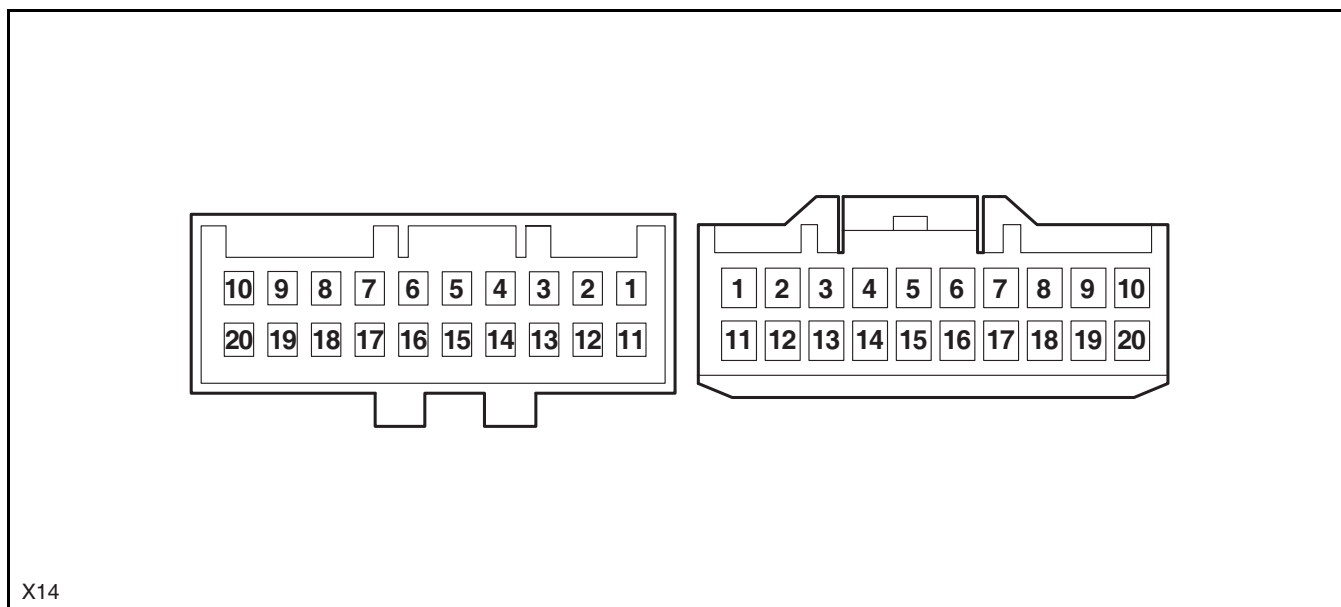
Pin No.	Wire Diameter/Color	Function
1	-	-
2	-	-
3	-	-
4	-	-
5	0.5 WH/BK	Rear Seat Heater Controller Constant Power Supply
6	0.3 WH	CAN-H
7	0.3 WH/GN	CAN-L
8	0.3 RD/BU	Back Door Controller Driver Side Switch
9	-	-
10	0.5 OG/GN	IG1 Power Supply
11	0.3 BU/RD	Rearview Mirror Folding Switch
12	-	-
13	0.3 OG/BU	Window Delay Relay
14	-	-
15	-	-
16	-	-
17	-	-

Pin No.	Wire Diameter/Color	Function
18	-	-
19	0.3 YE/RD	Fuel Level Sensor Grounding
20	0.3 BN/WH	Fuel Level Signal
21	-	-
22	0.3 BU/BK	-
23	0.5 OG/BN	IG Ignition Signal
24	0.5 RD/WH	Rear USB ACC Power Supply
25	0.5 PK/BK	Constant Power Supply 2
26	-	-
27	-	-
28	0.3 GN	CAN-H
29	0.3 GN/BK	CAN-L
30	-	-
31	-	-
32	-	-
33	-	-
34	0.5 VT/YE	Left Front Door Speaker -
35	0.5 WH/BK	Left Front Door Speaker +
36	0.5 GY/BU	Headlamp Leveling Power Supply
37	0.3 LG	CAN-H
38	0.3 LG/BK	CAN-L
39	-	-
40	-	-
41	0.5 OG	IG1 Power Supply
42	-	-
43	-	-
44	-	-
45	-	-
46	-	-
47	-	-
48	0.5 VT/OG	Right Front Door Tweeter +

Pin No.	Wire Diameter/Color	Function
49	0.3 PK	Right Front Door Tweeter -
50	0.3 GN/RD	Left Outside Rearview Mirror, Left Panoramic View Camera Power Supply +
51	0.3 GN/BU	Left Outside Rearview Mirror, Left Panoramic View Camera Power Supply Grounding
52	0.3 RD	Constant Power Supply
53	0.3 BU/WH	Left Outside Rearview Mirror, Left Panoramic View Camera Video Signal
54	0.3 WH/YE	Left Outside Rearview Mirror, Left Panoramic View Camera Video Signal Shield Grounding
55	0.3 RD/YE	Backlight
56	0.3 GN	LIN Signal
57	0.5 PK/BU	Inside Front Antenna Positive
58	0.5 BU/GN	Inside Front Antenna Negative
59	0.3 LG/RD	Right Outside Rearview Mirror Up-Down Adjustment
60	-	-
61	-	-
62	0.75 RD	Driver Seat Heater Controller Power Supply
63	0.3 PK	CAN-H
64	0.3 PK/BK	CAN-L
65	0.5 YE/BK	IG Power Supply
66	0.3 BU	Left Outside Rearview Mirror Left-Right Adjustment
67	0.3 BU/WH	Left Outside Rearview Mirror Up-Down Adjustment
68	0.3 YE/GN	Left Outside Rearview Mirror Common End

Chassis Wiring Harness to Instrument Panel Wiring
Harness (Middle 1)

Instrument Panel Wiring Harness (Middle 1) to
Chassis Wiring Harness



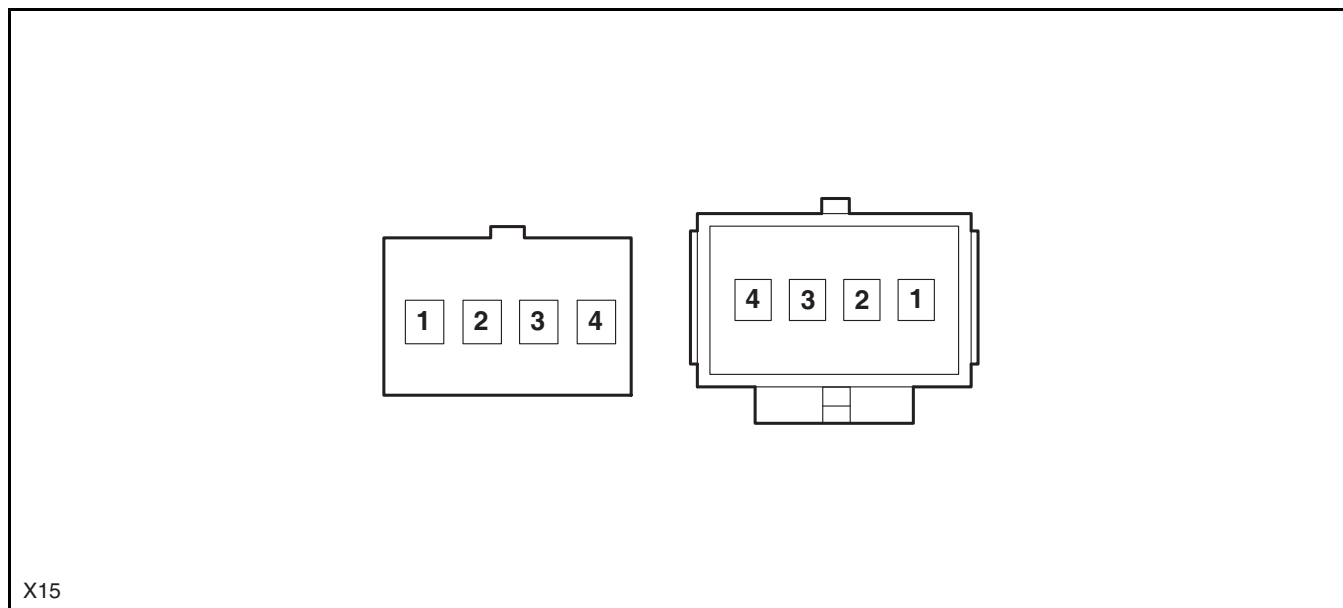
X14 Wiring Harness Connector Pin Definition

Pin No.	Wire Diameter/Color	Function
1	2.5 RD/BU	Driver Power Seat BAT +
2	0.5 OG/GN	Left Rear Woofer +
3	0.5 PK/BK	Left Rear Woofer -
4	-	-
5	2.5 BU/BK	Front Passenger Power Seat BAT+
6	0.5 GN	CAN-H
7	0.5 GN/VT	CAN-L
8	-	-
9	-	-
10	-	-
11	-	-
12	-	-
13	-	-
14	-	-
15	0.3 BU	CAN-H
16	0.3 BU/YE	CAN-L
17	0.3 BU	CAN-H

Pin No.	Wire Diameter/Color	Function
18	0.3 BU/YE	CAN-L
19	0.3 BN	Wireless Charging Enable
20	0.3 WH/BN	Drive Mode Select Switch Output Signal

Chassis Wiring Harness to Instrument Panel Wiring
Harness (Middle 2)

Instrument Panel Wiring Harness (Middle 2) to
Chassis Wiring Harness



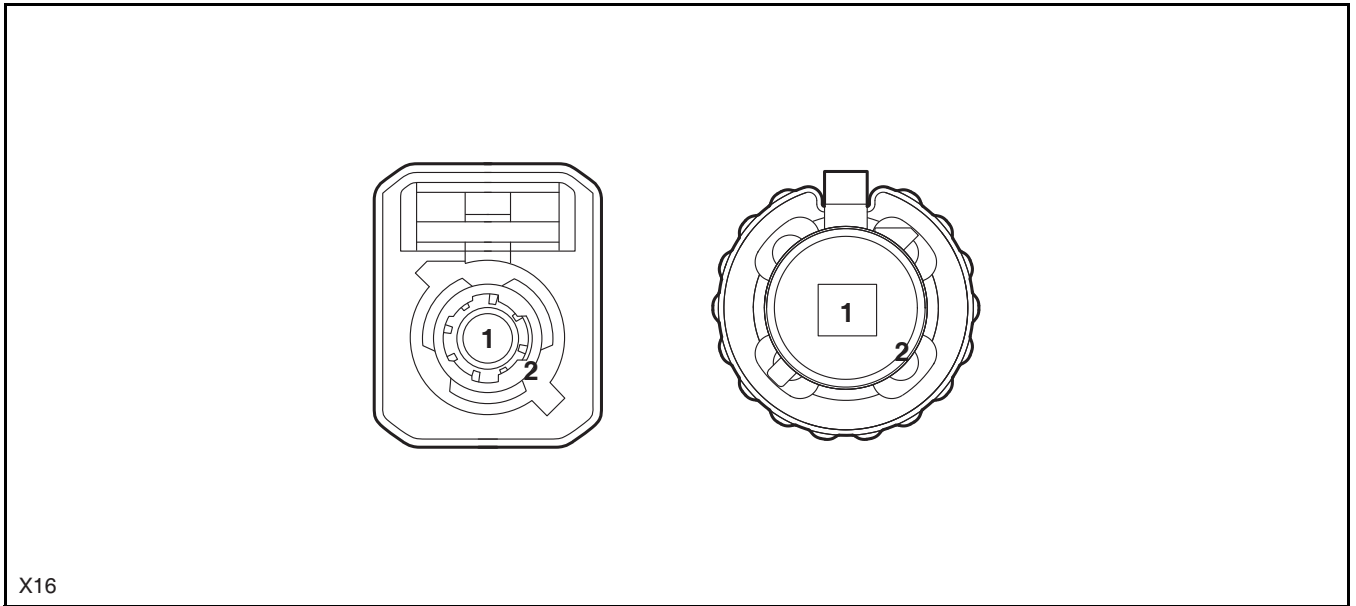
X15

X15 Wiring Harness Connector Pin Definition

Pin No.	Wire Diameter/Color	Function
1	0.5 RD/BU	Driver Frontal Airbag Positive
2	0.5 VT/GN	Driver Frontal Airbag Negative
3	0.5 GN	Front Passenger Frontal Airbag Negative
4	0.5 OG	Front Passenger Frontal Airbag Positive

Chassis Wiring Harness to Instrument Panel Wiring
Harness (GPS Antenna Coaxial)

Instrument Panel Wiring Harness (GPS Antenna
Coaxial) to Chassis Wiring Harness

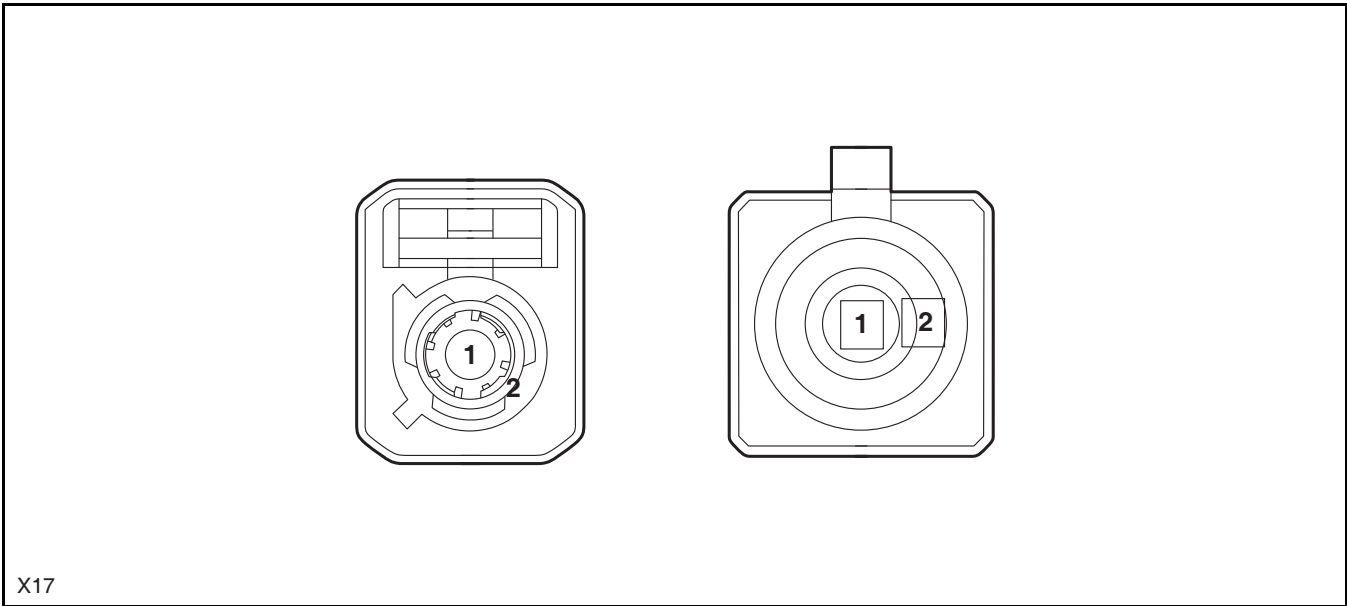


X16 Wiring Harness Connector Pin Definition

Pin No.	Wire Diameter/Color	Function
1	0.5 WH	GPS Antenna +
2	0.3 BK	GPS Antenna -

Chassis Wiring Harness to Instrument Panel Wiring
Harness (Radio Antenna Coaxial) - (Overseas)

Instrument Panel Wiring Harness (Radio Antenna
Coaxial) (Overseas) to Chassis Wiring Harness

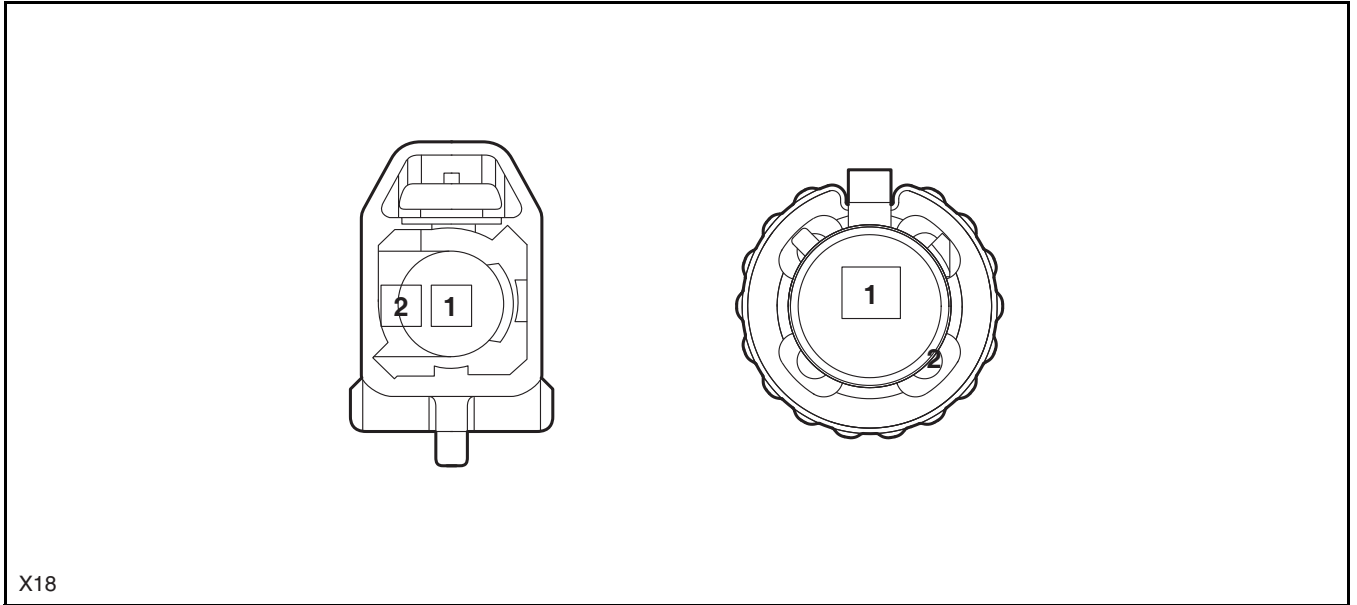


X17 Wiring Harness Connector Pin Definition

Pin No.	Wire Diameter/Color	Function
1	0.5 WH	Radio Signal
2	0.3 BK	Radio Signal Grounding

APA to HU (Camera - Rear)

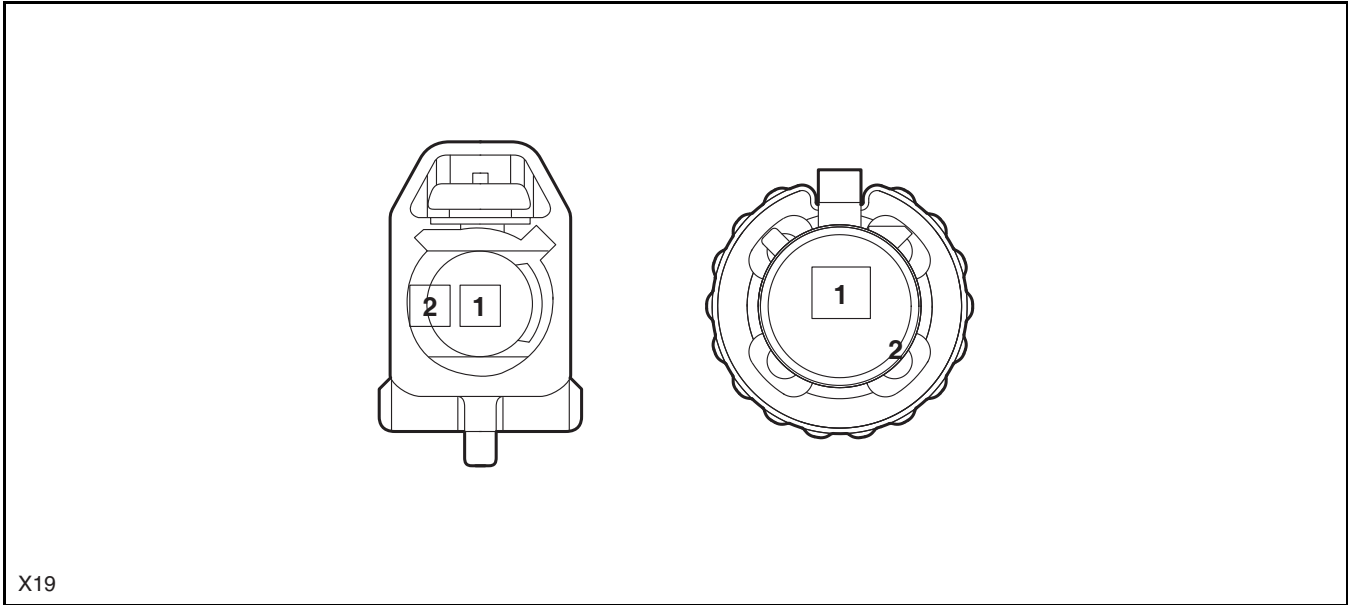
HU (Camera - Rear) to APA

**X18 Wiring Harness Connector Pin Definition**

Pin No.	Wire Diameter/Color	Function
1	0.5 BU	Camera - Rear Signal
2	0.3 WH	Camera - Rear Shielded Wire

APA to HU (Camera - Right)

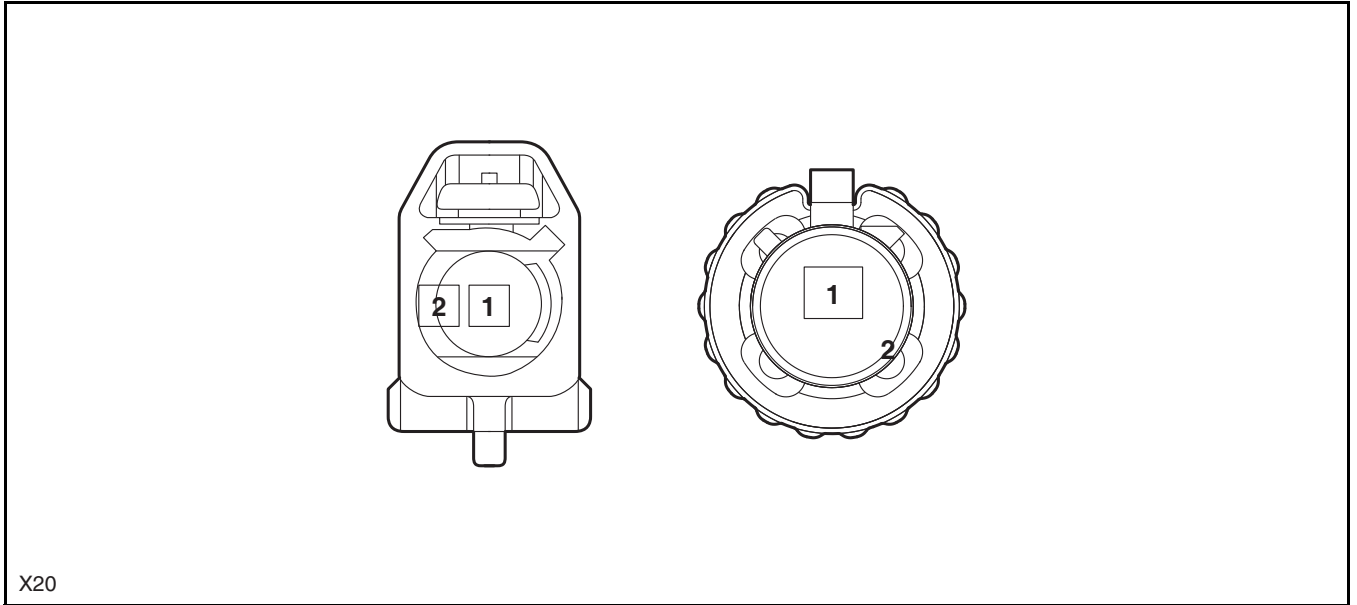
HU (Camera - Right) to APA

**X19 Wiring Harness Connector Pin Definition**

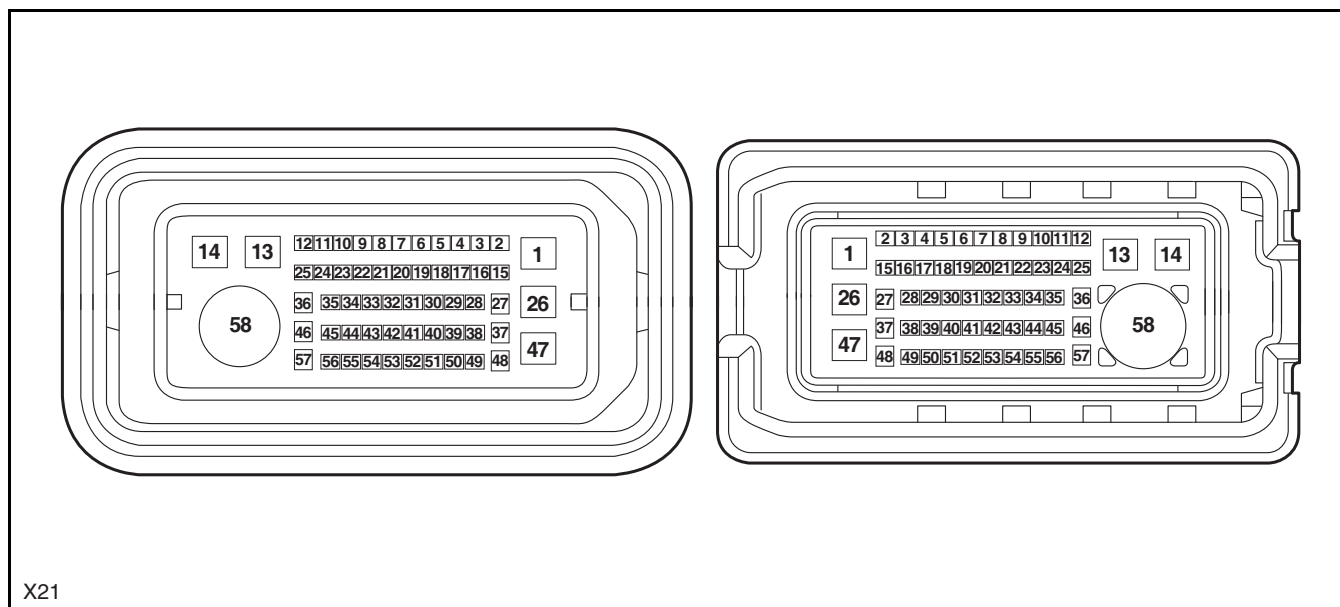
Pin No.	Wire Diameter/Color	Function
1	0.5 BU	Camera - Right Signal
2	0.3 WH	Camera - Right Shielded Wire

APA to HU (Camera - Left)

HU (Camera - Left) to APA

**X20 Wiring Harness Connector Pin Definition**

Pin No.	Wire Diameter/Color	Function
1	0.5 BU	Camera - Left Signal
2	0.3 WH	Camera - Left Shielded Wire

Chassis Wiring Harness to Left Front Door Wiring
HarnessLeft Front Door Wiring Harness to Chassis Wiring
Harness

X21 Wiring Harness Connector Pin Definition

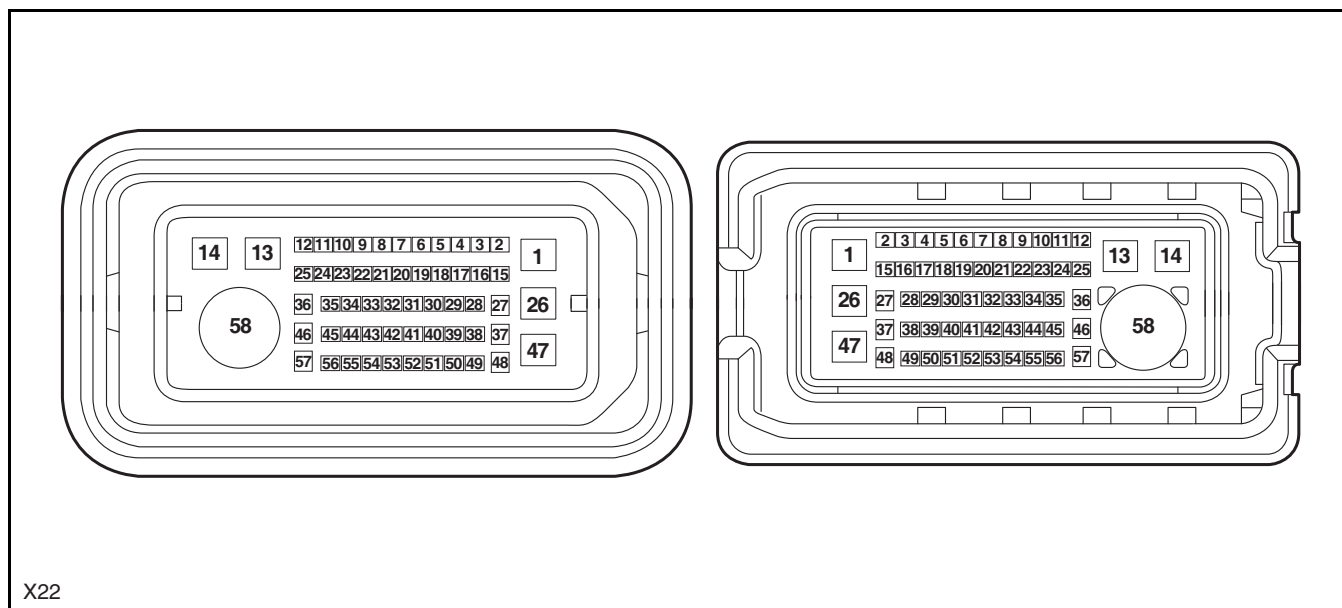
Pin No.	Wire Diameter/Color	Function
1	-	-
2	0.3 WH/GN	Driver Window Switch Automatic Button Signal
3	0.3 WH/VT	Front Passenger Window Up and Down Input
4	0.3 WH/BN	Left Rear Window Up and Down Input
5	0.3 WH/RD	Right Rear Window Up and Down Input
6	0.3 OK/BN	Passenger Window Lock Input
7	0.3 RD/WH	Passenger Window Lock Indicator Output
8	-	-
9	-	-
10	0.3 GN/YE	Driver Anti-pinch Central Lock Signal (Unlock)
11	0.3 GN/BK	Driver Anti-pinch Central Lock Signal (Lock)
12	0.3 BN/BU	Door Handle Signal Grounding
13	2.0 WH	Driver Anti-pinch Door Window Motor Up
14	2.0 RD/GN	Driver Anti-pinch Door Window Motor Down
15	0.3 YE	Left Front Door Unlock Switch Signal Output
16	-	-
17	-	-

Pin No.	Wire Diameter/Color	Function
18	-	-
19	-	-
20	-	-
21	-	-
22	-	-
23	-	-
24	-	-
25	0.5 BU/WH	Switch Grounding
26	2.0 BK	Grounding
27	-	-
28	0.5 YE/BU	Left Front Door Central Unlock Output
29	0.5 YE/BU	Left Front Door Lock Motor Central Lock Output
30	0.3 RD/BK	Left Front Door Lock Status Signal
31	0.3 BU	Left Rearview Mirror Left-Right Adjustment Output
32	0.3 YE/GN	Left Outside Rearview Mirror Common End
33	0.3 WH/BU	Left Outside Rearview Mirror Folding
34	0.3 WH/YE	Left Outside Rearview Mirror Folding Return
35	0.5 OG	-
36	-	-
37	-	-
38	0.5 WH/BK	Left Front Door Speaker Negative
39	0.5 VT/YE	Left Front Door Speaker Positive
40	0.3 RD/YE	Backlight
41	0.3 BK/WH	Left Outside Rearview Mirror Up-Down Adjustment Output
42	-	-
43	-	-
44	-	-
45	-	-
46	-	-
47	-	-
48	-	-

Pin No.	Wire Diameter/Color	Function
49	0.3 RD	Left Outside Rearview Mirror Motor Heating Element Power Supply
50	-	-
51	-	-
52	0.5 GN/WH	Left Turn Lamp Power Supply
53	-	-
54	-	-
55	-	-
56	0.3 VT	-
57	-	-
58	0.5 BU	Left Camera

Chassis Wiring Harness to Right Front Door Wiring Harness

Right Front Door Wiring Harness to Chassis Wiring Harness

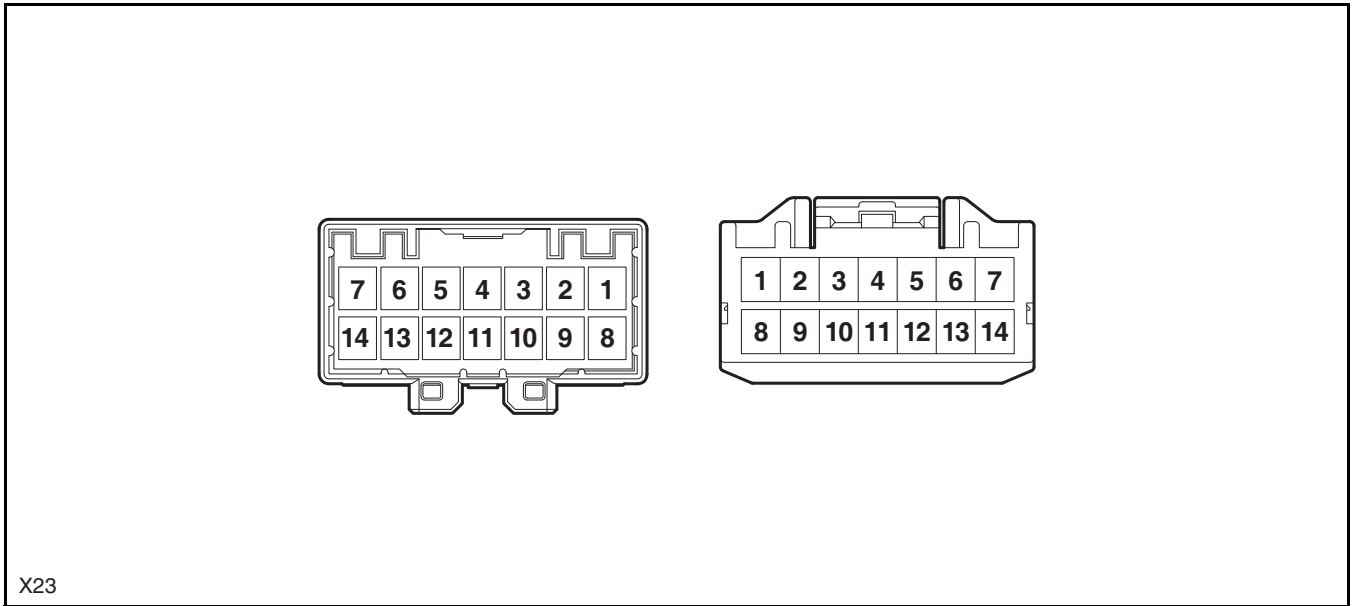


X22 Wiring Harness Connector Pin Definition

Pin No.	Wire Diameter/Color	Function
1	-	-
2	0.3 OG/BK	Front Passenger Window Switch Automatic Button Signal
3	0.3 WH/BK	Front Passenger Window Down Input
4	0.3 BU/YE	Front Passenger Window Up Input
5	-	-

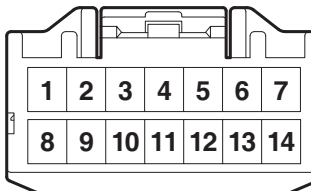
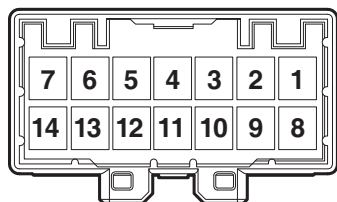
Pin No.	Wire Diameter/Color	Function
6	-	-
7	-	-
8	-	-
9	-	-
10	-	-
11	-	-
12	-	-
13	2.0 BU/BK	Front Passenger Door Window Motor Up Signal
14	2.0 BU/BK	Front Passenger Door Window Motor Down Signal
15	-	-
16	-	-
17	-	-
18	-	-
19	-	-
20	-	-
21	-	-
22	-	-
23	-	-
24	-	-
25	0.5 BU/WH	Window Anti-pinch Constant Power Supply
26	2.0 BK	Grounding
27	-	-
28	0.5 YE/BU	Front Passenger Door Lock Motor Central Unlock
29	0.5 YE/BU	Front Passenger Door Lock Motor Central Lock
30	-	-
31	0.3 BU/BK	Right Outside Rearview Mirror Left-Right Adjustment Output
32	0.3 YE/GN	Right Outside Rearview Mirror Common End
33	0.3 WH/BU	Right Outside Rearview Mirror Folding
34	0.3 WH/YE	Right Outside Rearview Mirror Folding Return
35	-	-
36	-	-

Pin No.	Wire Diameter/Color	Function
37	-	-
38	0.5 VT/GN	Right Front Door Speaker Negative
39	0.5 VT/OG	Right Front Door Speaker Positive
40	0.3 RD/YE	Backlight
41	0.3 LG/RD	Right Outside Rearview Mirror Up-Down Adjustment Output
42	-	-
43	-	-
44	-	-
45	-	-
46	-	-
47	-	-
48	-	-
49	0.3 RD	Right Outside Rearview Mirror Motor Heating Element Power Supply
50	-	-
51	-	-
52	0.5 GN/BK	Right Turn Lamp Power Supply
53	-	-
54	-	-
55	-	-
56	-	-
57	-	-
58	0.5 BU	Right Camera

Chassis Wiring Harness to Left Rear Door Wiring
HarnessLeft Rear Door Wiring Harness to Chassis Wiring
Harness

X23 Wiring Harness Connector Pin Definition

Pin No.	Wire Diameter/Color	Function
1	2.0 GN	Left Rear Door Window Motor Up
2	0.5 BN	Left Door Low Frequency Antenna +
3	0.5 BU	Left Door Low Frequency Antenna -
4	0.5 OG/GN	Left Rear Woofer Positive
5	0.5 PK/BK	Left Rear Woofer Negative
6	0.3 OG/BU	Left Rear Window Switch (Anti-pinch) Automatic Button Signal
7	0.3 PK	Left Rear Window Switch (Anti-pinch) Down Signal
8	0.3 RD/YE	Backlight
9	0.3 PK/WH	Left Rear Window Switch (Anti-pinch) Up Signal
10	0.5 YE/BU	Left Rear Door Lock Motor Central Lock
11	0.5 YE/WH	Left Rear Door Lock Motor Central Unlock
12	0.5 BK/WH	Window Anti-pinch Controller Switch Grounding
13	2.0 GN/BK	Left Rear Door Window Motor Down

Chassis Wiring Harness to Right Rear Door Wiring
HarnessRight Rear Door Wiring Harness to Chassis Wiring
Harness

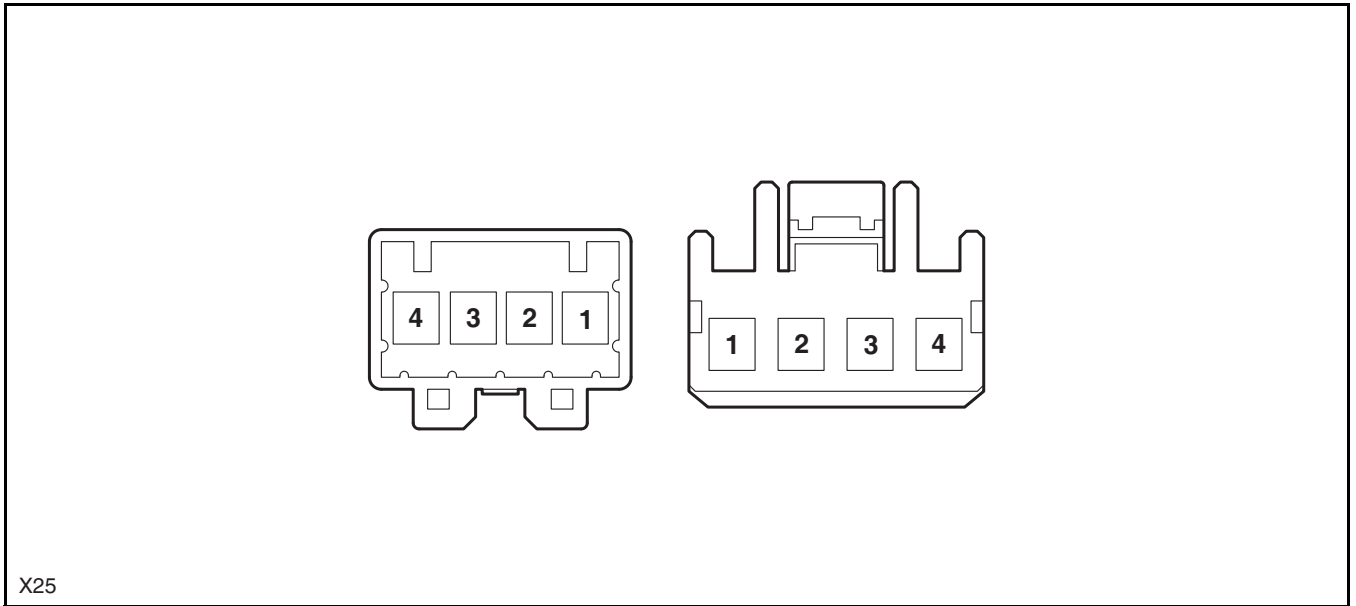
X24

X24 Wiring Harness Connector Pin Definition

Pin No.	Wire Diameter/Color	Function
1	2.0 BN	Right Rear Door Window Motor Up
2	0.5 BN/WH	Right Door Low Frequency Antenna +
3	0.5 BU/WH	Right Door Low Frequency Antenna -
4	0.5 GN/VT	Right Rear Woofer Positive
5	0.5 GN	Right Rear Woofer Negative
6	0.3 GN/OG	Right Rear Window Switch
7	0.3 BN/BU	Right Rear Window Switch Remote Up Signal
8	0.3 RD/YE	Backlight
9	0.3 BN	Right Rear Window Switch (Anti-pinch) Up Signal
10	0.5 YE/BU	Right Rear Door Lock Motor Central Lock
11	0.5 YE/WH	Right Rear Door Lock Motor Central Unlock
12	0.5 BK/WH	Window Anti-pinch Controller Switch Grounding
13	2.0 BN/YE	Right Rear Door Window Motor Down

Chassis Wiring Harness to Electronic Parking Brake
Motor Wiring Harness (Left)

Electronic Parking Brake Motor Wiring Harness (Left)
to Chassis Wiring Harness

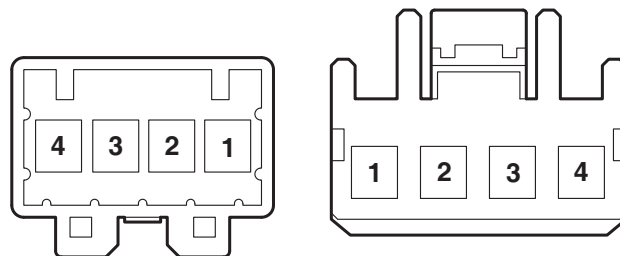


X25 Wiring Harness Connector Pin Definition

Pin No.	Wire Diameter/Color	Function
1	2.5 VT	Left EPB Motor Positive
2	2.5 BU/BK	Left EPB Motor Negative
3	0.3 GY/BU	Left Rear Wheel Speed Sensor Voltage +
4	0.3 GY/RD	Left Rear Wheel Speed Sensor Signal -

Chassis Wiring Harness to Electronic Parking Brake
Motor Wiring Harness (Right)

Electronic Parking Brake Motor Wiring Harness (Right)
to Chassis Wiring Harness



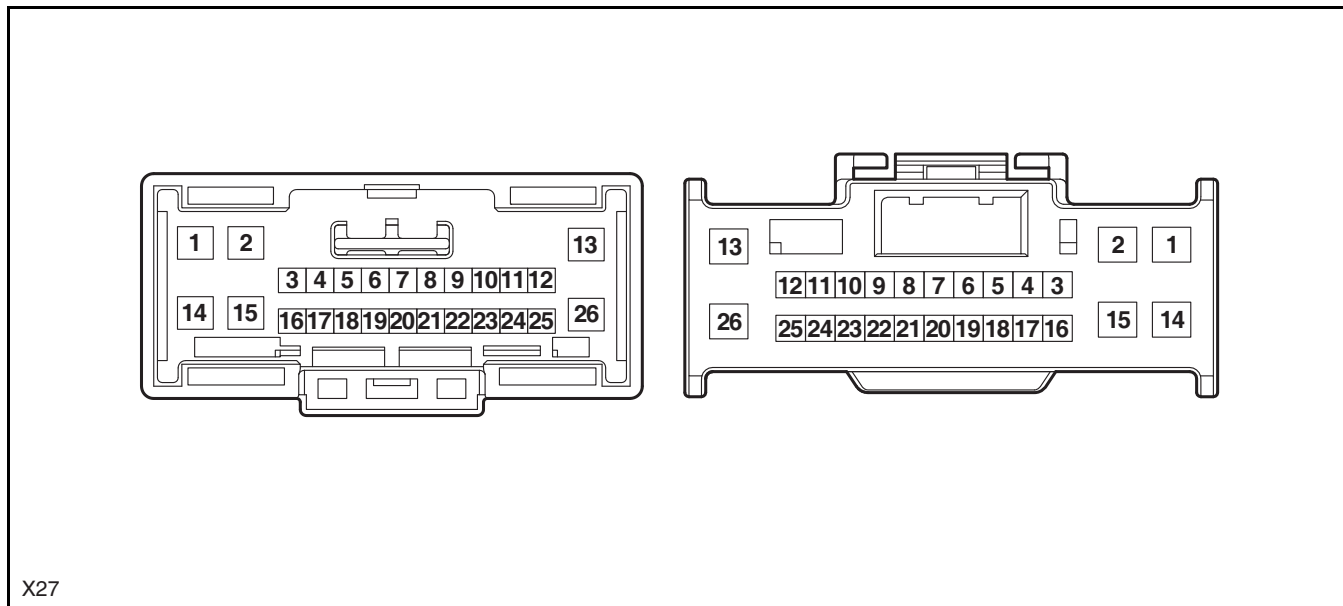
X26

X26 Wiring Harness Connector Pin Definition

Pin No.	Wire Diameter/Color	Function
1	2.5 GY/BK	Right EPB Motor Positive
2	2.5 GY	Right EPB Motor Negative
3	0.3 GN/YE	Right Rear Wheel Speed Sensor Voltage +
4	0.5 GN/BU	Right Rear Wheel Speed Sensor Signal -

Chassis Wiring Harness to Back Door Wiring Harness

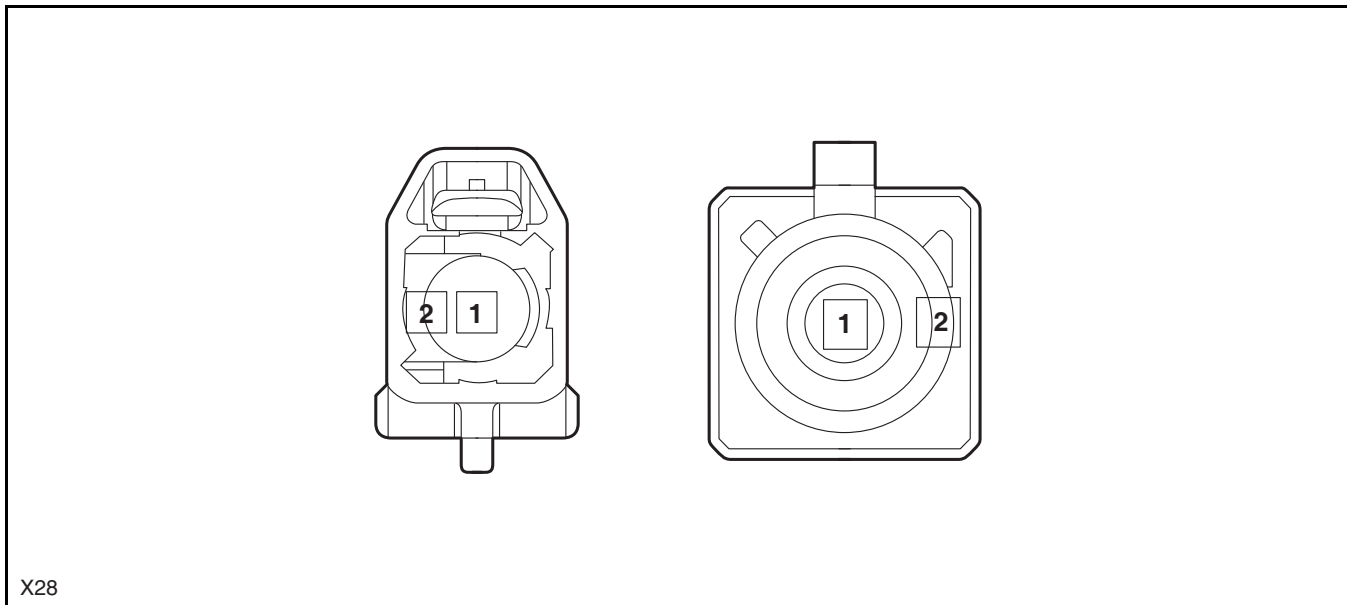
Back Door Wiring Harness to Chassis Wiring Harness



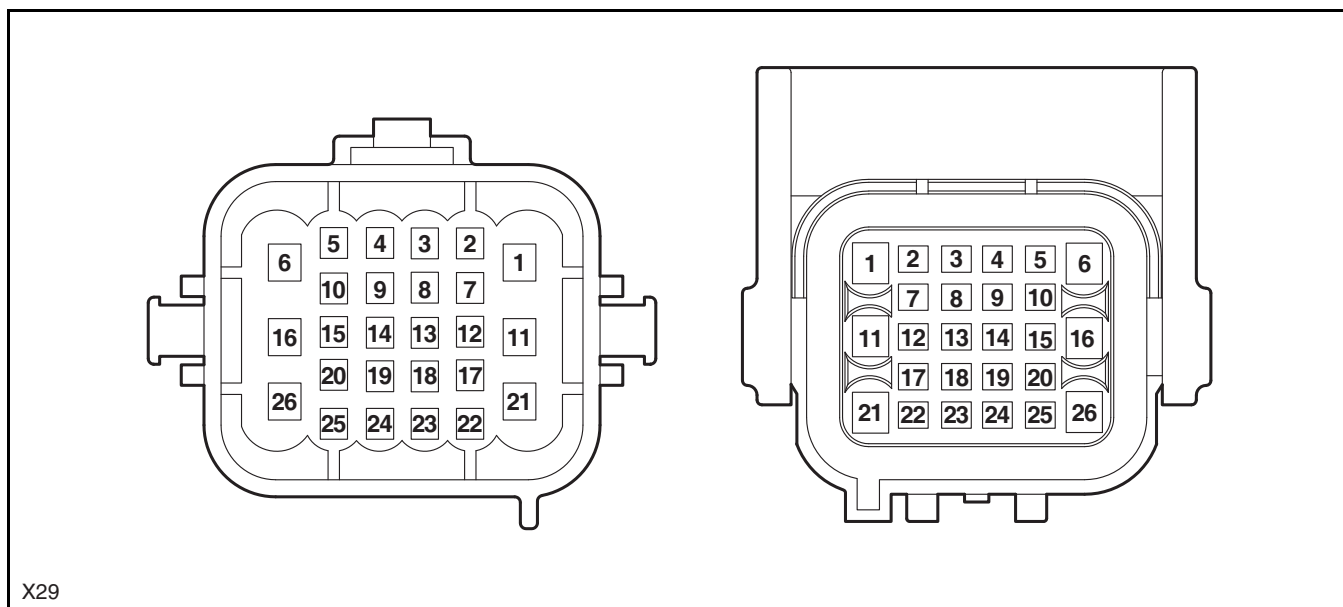
X27 Wiring Harness Connector Pin Definition

Pin No.	Wire Diameter/Color	Function
1	2.5 BK	Rear Defroster Grounding
2	2.5 VT	Rear Defroster Power Supply
3	-	-
4	0.5 WH/RD	Right Brake Lamp
5	0.5 RD/GN	License Plate Lamp
6	0.5 RD/BU	High Mounted Brake Lamp
7	0.3 RD/YE	Backlight
8	0.5 BU	Rear Wiper Stop Signal
9	0.5 BK/RD	Back-up Lamp Output
10	0.5 BK	Grounding
11	0.3 BK/WH	Signal Grounding
12	0.3 BK/YE	Power Supply Grounding
13	2.5 BK	Grounding
14	0.75 PK	Luggage Compartment Lock Motor Unlock Signal
15	0.75 GY	Luggage Compartment Lock Motor Self-engagement Signal
16	0.3 RD/WH	Back Door Close Switch Signal
17	0.3 OG	Luggage Compartment Door Release Switch
18	0.3 GN	Luggage Compartment Lock Motor Half-lock Position Signal

Pin No.	Wire Diameter/Color	Function
19	0.3 RD/GN	Luggage Compartment Lock Motor Full-lock Position Signal
20	0.3 BU	Luggage Compartment Lock Motor Reset Signal
21	0.3 YE/GN	Buzzer Drive
22	-	-
23	-	-
24	-	-
25	-	-
26	1.25 RD/WH	Rear Wiper Relay

Chassis Wiring Harness to Rear Camera Wiring
HarnessRear Camera Wiring Harness to Chassis Wiring
Harness**X28 Wiring Harness Connector Pin Definition**

Pin No.	Wire Diameter/Color	Function
1	0.5 BU	Power Supply Input/Output
2	0.3 WH	Shielded Grounding

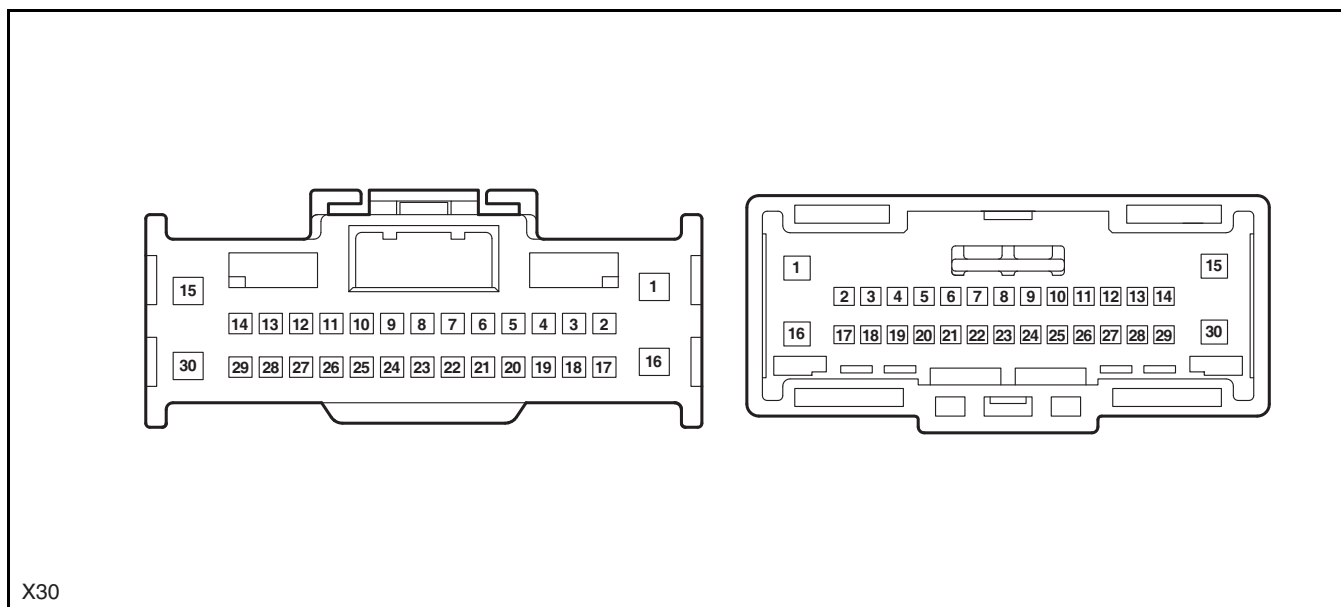
Chassis Wiring Harness to Rear Bumper Wiring
Harness (2)Rear Bumper Wiring Harness (2) to Chassis Wiring
Harness

X29

X29 Wiring Harness Connector Pin Definition

Pin No.	Wire Diameter/Color	Function
1	-	-
2	-	-
3	-	-
4	-	-
5	0.5 BK	Left Rear Fog Lamp Grounding
6	-	-
7	-	-
8	-	-
9	-	-
10	-	-
11	-	-
12	0.3 GN/BK	Reversing Radar Sensor (Left Rear Corner) Signal
13	-	-
14	0.3 GN/YE	Reversing Radar Sensor (Left Rear Center) Signal
15	0.3 GN	Reversing Radar Sensor (Right Rear Corner) Signal
16	-	-
17	0.3 WH	Reversing Radar Rear Sensor Grounding

Pin No.	Wire Diameter/Color	Function
18	0.3 WH/RD	Reversing Radar Rear Sensor Power Supply
19	-	
20	-	-
21	-	-
22	-	-
23	-	-
24	-	-
25	0.5 GN/BN	Left Rear Fog Lamp Power Supply
26	-	-

Instrument Panel Wiring Harness to Roof Wiring
Harness (Left)Roof Wiring Harness (Left) to Instrument Panel Wiring
Harness

X30

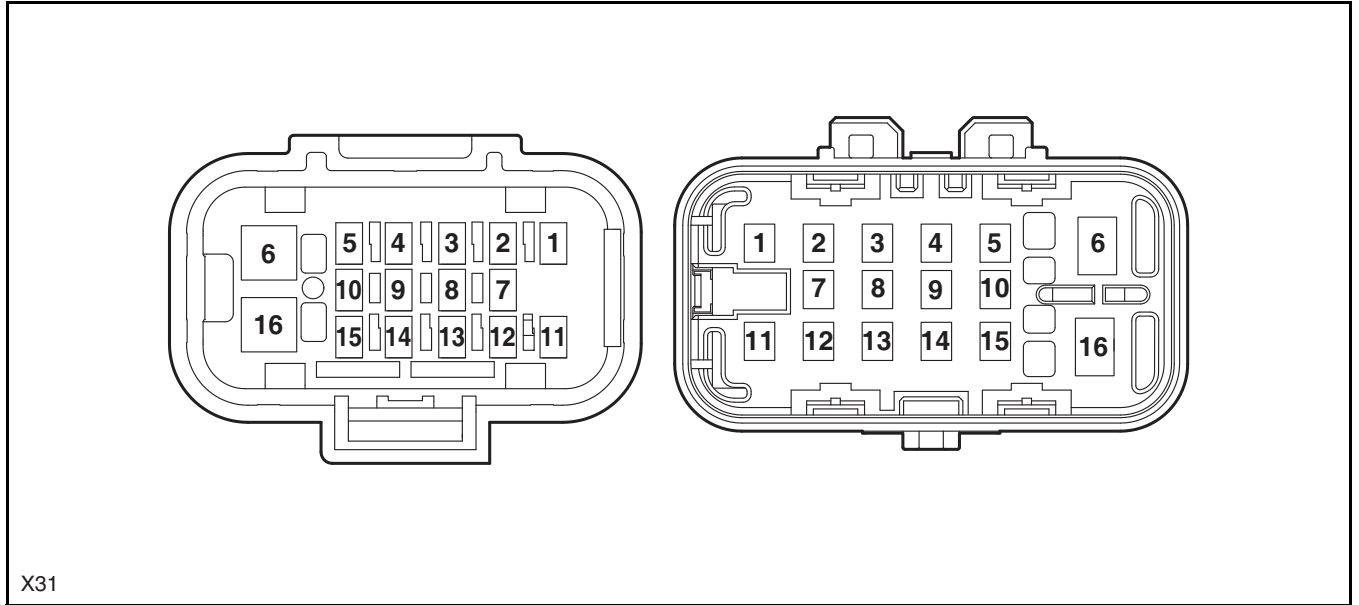
X30 Wiring Harness Connector Pin Definition

Pin No.	Wire Diameter/Color	Function
1	2.0 RD/BK	Sunroof Controller Power Supply
2	-	-
3	-	-
4	0.3 VT	Microphone 1 Signal
5	0.3 BK	Microphone 1 Signal Grounding
6	0.3 GN/RD	BDC Left Map Lamp Input
7	0.3 GN/BU	Left Map Lamp Signal Output
8	0.3 WH/BN	Map Lamp BDC Control Signal
9	0.22 BK/YE	MIC-
10	0.22 RD/WH	MIC+
11	0.3 BU/WH	BDC Right Map Lamp Input
12	0.3 WH/YE	Right Map Lamp Signal Output
13	0.3 BU/GN	Microphone 2 Signal
14	0.3 RD	Microphone 2 Signal Grounding
15	-	-
16	-	-
17	0.3 WH/GN	Communication CAN High (Private)

Pin No.	Wire Diameter/Color	Function
18	0.3 WH	Communication CAN Low (Private)
19	0.3 YE/WH	Rain/Ambient Light Sensor Power Supply
20	0.5 YE/BU	USB+
21	0.3 P	Rain/Ambient Light Sensor Communication
22	0.3 GN	LIN Bus
23	0.3 RD/YE	Backlight
24	0.5 GN/VT	Power Supply
25	0.3 BU	CAN High
26	0.3 BU/YE	CAN Low
27	0.3 BU	CAN High
28	0.3 BU/YE	CAN Low
29	0.3 RD/BK	Power Supply

Engine Wiring Harness to Fuel Injector Wiring Harness

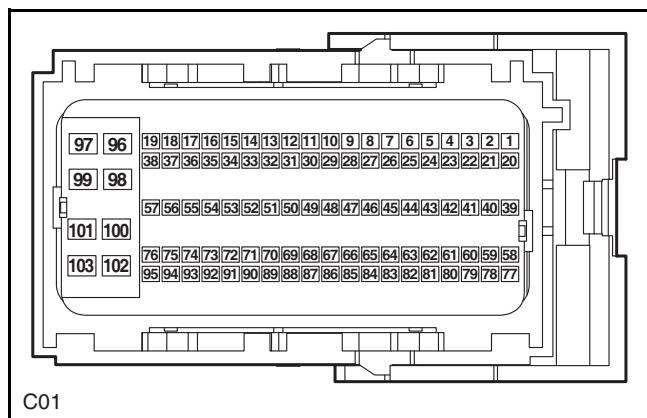
Fuel Injector Wiring Harness to Engine Wiring Harness

**X31 Wiring Harness Connector Pin Definition**

Pin No.	Wire Diameter/Color	Function
1	0.85 PK/WH	Fuel Injector - 1 Power Supply
2	0.85 RD/BK	Fuel Injector - 1 Grounding
3	0.85 RD/GN	Fuel Injector - 2 Power Supply
4	0.85 YE/RD	Fuel Injector - 2 Grounding
5	0.85 GY/BK	Fuel Injector - 3 Power Supply
6	-	-
7	0.85 BU/BK	Fuel Injector - 3 Grounding
8	0.85 GN/WH	Fuel Injector - 4 Power Supply
9	0.85 BN/WH	Fuel Injector - 4 Grounding
10	-	-
11	-	-
12	-	-
13	-	-
14	-	-
15	-	-
16	-	-

Engine Compartment Wiring Harness Connector (C--)

ECU-2



C01 Wiring Harness Connector Pin Definition

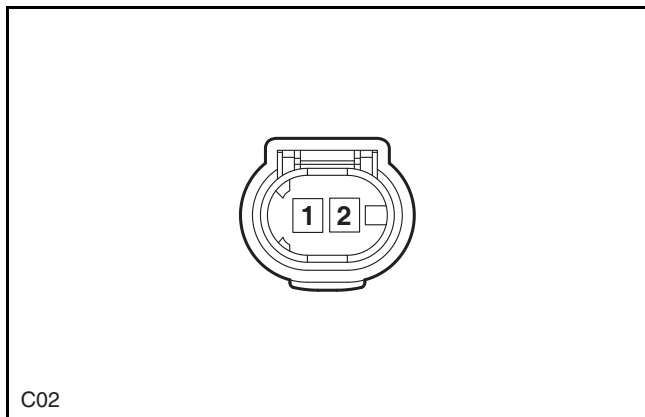
Pin No.	Wire Diameter/Color	Function
1	0.35 LG/BN	Starting Motor Low Side Control 1
2	-	-
3	-	-
4	0.5 RD/BU	PWM Fan Control Signal
5	0.5 VT	Electric Auxiliary Water Pump
6	0.35 WH/BK	Main Relay
7	-	-
8	0.5 BN	Switch Oxygen Sensor
9	-	-
10	-	-
11	-	-
12	-	-
13	0.5 BN/WH	Accelerator Pedal Position Sensor 1 Grounding
14	-	-
15	0.5 PK/GN	Accelerator Pedal Position Sensor 1 Power Supply (5V2)
16	0.5 VT/YE	Accelerator Pedal Position Sensor 2 Power Supply (5V3)
17	-	-
18	-	-
19	-	-
20	0.35 GN/RD	Starting Motor Low Side Control 2

Pin No.	Wire Diameter/Color	Function
21	-	-
22	0.5 YE/GN	Piston Cooling Nozzle Control Valve
23	0.5 BU/WH	Carbon Canister Control Valve
24	0.35 GY/YE	A/C Compressor Relay
25	0.75 YE	Air Intake Pressure Discharge Control Valve
26	0.35 WH/RD	Low Pressure Oil Pump Relay
27	-	-
28	0.5 GY/GN	Switch Oxygen Sensor Grounding
29	0.5 YE/BK	Accelerator Pedal Position Sensor 2 Grounding
30	-	-
31	0.5 YE/VT	Accelerator Pedal Position Sensor 1
32	-	-
33	-	-
34	-	-
35	-	-
36	-	-
37	-	-
38	-	-
39	-	-
40	0.5 YE/RD	Central Electromagnet Signal (Exhaust)
41	0.5 YE/WH	Central Electromagnet Signal (Intake)
42	-	-
43	-	-
44	-	-
45	-	-
46	0.5 OG/GN	Ignition Switch
47	0.75 BN/YE	LIN Bus
48	0.5 GY	Linear Oxygen IP
49	0.5 RD	Linear Oxygen VM
50	-	-
51	0.5 GN/WH	Accelerator Pedal Position Sensor 2

Pin No.	Wire Diameter/Color	Function
52	-	-
53	-	-
54	-	-
55	0.5 BN/BU	Brake Lamp Switch Signal
56	0.5 GN/OG	Brake Switch
57	0.5 YE	Starting Motor Status Feedback Signal
58	0.5 GN/BU	Carbon Canister Stop Valve
59	0.5 PK/BU	Oil Pump Assembly
60	-	-
61	0.5 OG/BK	Switch Oxygen Heater
62	0.75 RD/BK	Linear Oxygen Heater
63	0.5 RD/WH	Constant Power Supply
64	0.35 LG/BK	Refresh and Body CAN Low
65	0.35 LG	Refresh and Body CAN High
66	-	-
67	0.5 WH	Linear Oxygen VN
68	-	-
69	-	-
70	-	-
71	-	-
72	-	-
73	-	-
74	-	-
75	-	-
76	-	-
77	-	-
78	-	-
79	-	-
80	-	-
81	-	-
82	-	-

Pin No.	Wire Diameter/Color	Function
83	-	-
84	-	-
85	-	-
86	-	-
87	-	-
88	-	-
89	-	-
90	-	-
91	-	-
92	-	-
93	-	-
94	-	-
95	-	-
96	1.5 BK	ECU Grounding 4
97	1.5 BK	ECU Grounding 3
98	1.5 BK	ECU Grounding 2
99	1.5 BK	ECU Grounding 1
100	1.5 RD/WH	Main Relay Power Supply 1
101	1.5 RD/WH	Main Relay Power Supply 2
102	1.5 RD/WH	Main Relay Power Supply 3
103	1.5 RD/WH	Main Relay Power Supply 4

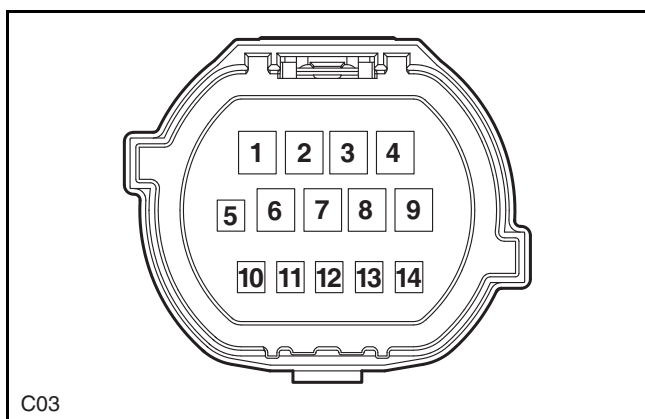
Left Front Wheel Speed Sensor



C02 Wiring Harness Connector Pin Definition

Pin No.	Wire Diameter/Color	Function
1	0.35 GY/GN	Left Front Wheel Speed Sensor +
2	0.35 GN/OG	Left Front Wheel Speed Sensor -

Left Front Combination Lamp I

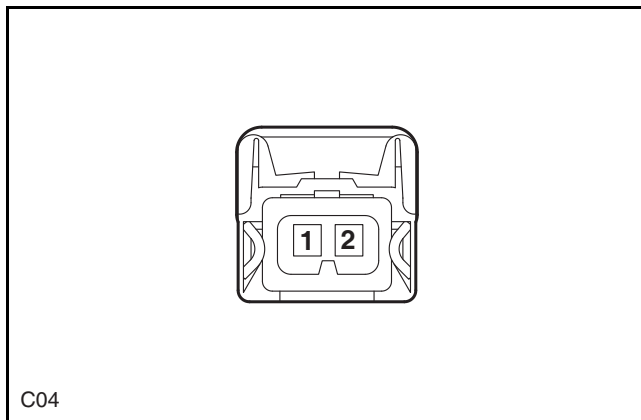


C03 Wiring Harness Connector Pin Definition

Pin No.	Wire Diameter/Color	Function
1	-	-
2	0.75 BK	High/Low Beam Grounding
3	1.25 GY/BU	High/Low Beam Power Supply
4	0.5 VT/OG	High Beam Signal
5	0.5 RD/GN	Position Lamp +
6	0.75 BK	8. Front Position Lamp/Daytime Running Lamp/Front Turn Lamp GND
7	0.5 WH/VT	Daytime Running Lamp

Pin No.	Wire Diameter/Color	Function
8	-	-
9	-	-
10	0.5 BK	Light Adjustment Motor Grounding
11	0.35 GN/VT	Light Adjustment Motor Signal
12	0.5 GY/BU	Light Adjustment Motor Positive
13	0.35 WH/BN	Right Front Turn Lamp Signal A
14	0.5 GN/WH	Left Turn Lamp Positive

Electric Horn 2

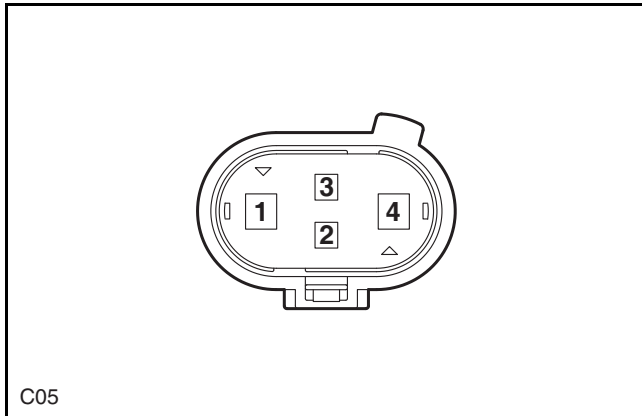


C04

C04 Wiring Harness Connector Pin Definition

Pin No.	Wire Diameter/Color	Function
1	0.75 GN/YE	Horn Positive
2	0.75 BK	Horn Negative

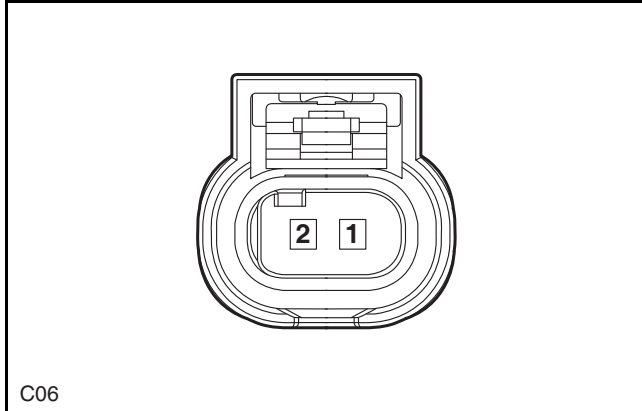
PWM Cooling Fan



C05 Wiring Harness Connector Pin Definition

Pin No.	Wire Diameter/Color	Function
1	6.0 RD	Power Supply Positive
2	0.5 BU/BK	Ignition Coil
3	0.5 RD/BU	PWM Fan Control Signal
4	6.0 BK	Power Supply Negative

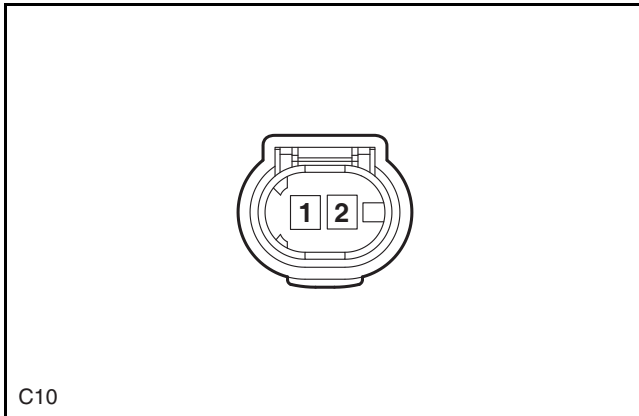
Left Front Collision Sensor



C06 Wiring Harness Connector Pin Definition

Pin No.	Wire Diameter/Color	Function
1	0.3 PK	Driver Front Sensor Positive
2	0.3 YE/WH	Driver Front Sensor Negative

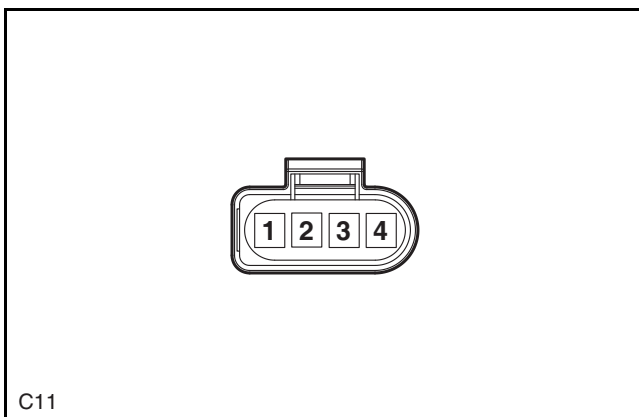
Battery Sensor (STT)



C10 Connector Pin Definition

Pin No.	Wire Diameter/Color	Function
1	0.5 GN/YE	LIN
2	0.5 VT/OG	Power Supply

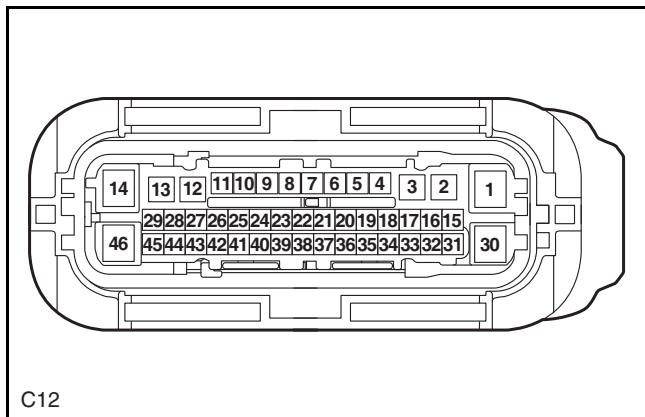
Front Wiper Motor



C11 Wiring Harness Connector Pin Definition

Pin No.	Wire Diameter/Color	Function
1	1.5 BU/RD	High Speed
2	1.5 BU	Low Speed
3	0.35 BU/WH	Output Wiper Return Signal
4	1.5 BK	Grounding

EPBI

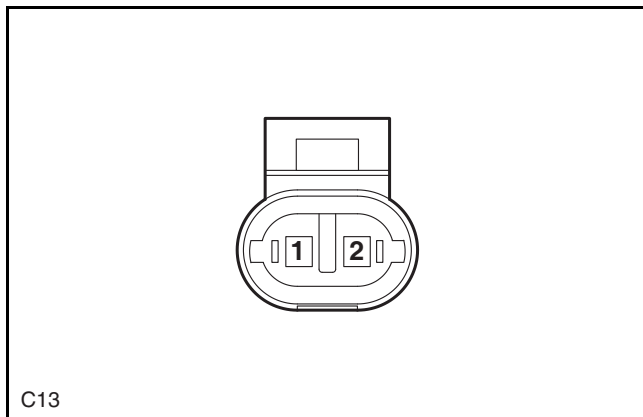


C12 Wiring Harness Connector Pin Definition

Pin No.	Wire Diameter/Color	Function
1	0.5 RD	Motor Power Supply
2	2.5 GY/BK	MOT_R_A+
3	2.5 GY	MOT_R_B-
4	0.3 VT/GN	FR Wheel Speed Sensor -
5	0.3 GN/WH	FR Wheel Speed Sensor +
6	0.35 GY/RD	RL Wheel Speed Sensor -
7	0.35 GY/BU	RL Wheel Speed Sensor +
8	0.35 GB/OG	FL Wheel Speed Sensor -
9	0.35 GY/GN	FL Wheel Speed Sensor +
10	0.35 GN/BU	RR Wheel Speed Sensor Grounding
11	0.35 GN/YE	RR Wheel Speed Sensor Power Supply
12	2.5 BU/BK	MOT_L_B-
13	2.5 VT	MOT_L_A+
14	5.0 BK	Motor/Valve/ECU Grounding
15	-	-
16	-	-
17	0.35 YE/BK	EPB_SW1
18	0.35 PK/BU	EPB_SW6
19	0.35 WH/BK	EPB_SW3
20	-	-
21	-	-

Pin No.	Wire Diameter/Color	Function
22	-	-
23	-	-
24	0.35 OG/GN	EPB_SW4
25	-	-
26	-	-
27	0.35 YE/GN	IPB-LED Lamp
28	-	-
29	-	-
30	3.0 RD/WH	Valve and ECU Power Supply
31	-	-
32	-	-
33	-	-
34	-	-
35	0.5 OG/BN	IG Ignition Switch
36	-	-
37	-	-
38	-	-
39	-	-
40	-	-
41	-	-
42	0.35 LG	CAN_H
43	0.35 LG/BK	CAN_L
44	-	-
45	-	-
46	-	-

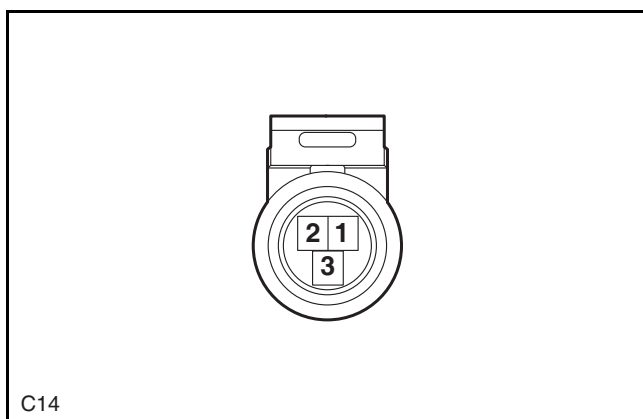
Brake Fluid Level Sensor



C13 Wiring Harness Connector Pin Definition

Pin No.	Wire Diameter/Color	Function
1	0.35 BK	Instrument Cluster Warning Lamp
2	0.35 VT/GN	Grounding

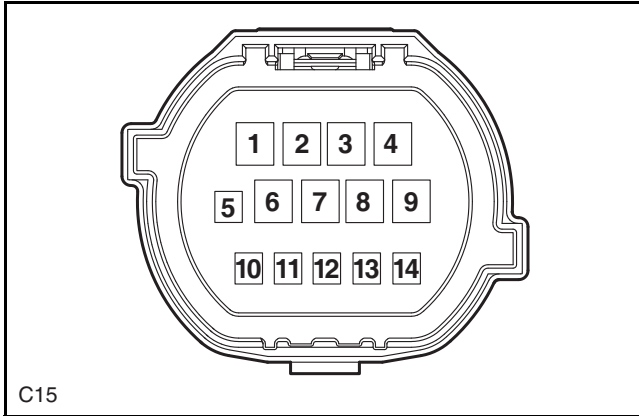
A/C Pipe Pressure Sensor



C14 Wiring Harness Connector Pin Definition

Pin No.	Wire Diameter/Color	Function
1	0.35 BU/RD	Grounding
2	0.35 WH/GN	Power Supply
3	0.3 GN/BU	Pressure Output

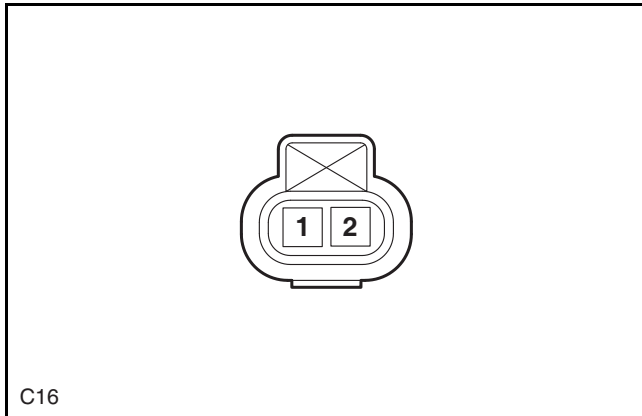
Right Front Combination Lamp I



C15 Wiring Harness Connector Pin Definition

Pin No.	Wire Diameter/Color	Function
1	-	-
2	0.75 BK	High/Low Beam Grounding
3	1.25 PK/BN	High/Low Beam Power Supply
4	0.5 VT/OG	High Beam Signal
5	0.5 RD/GN	Position Lamp +
6	0.75 BK	Front Position Lamp/Daytime Running Lamp/Front Turn Lamp GND
7	0.5 GN/YE	Daytime Running Lamp
8	-	-
9	-	-
10	0.5 BK	Light Adjustment Motor Grounding
11	0.35 GN/VT	Light Adjustment Motor Signal
12	0.5 PK/BN	Light Adjustment Motor Positive
13	0.35 WH/BN	Right Front Turn Lamp Signal A
14	0.5 GN/BK	Left Turn Lamp Positive

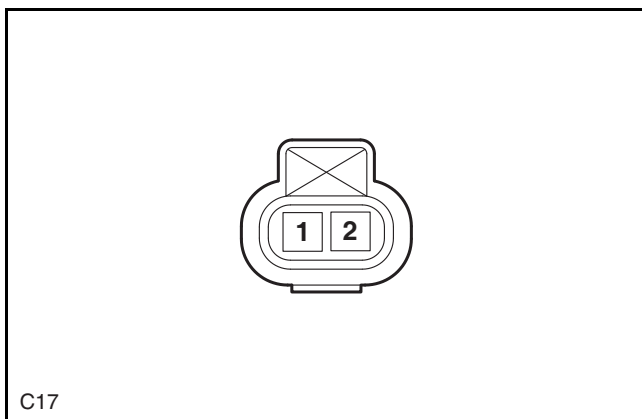
Washer Motor (Front)



C16 Wiring Harness Connector Pin Definition

Pin No.	Wire Diameter/Color	Function
1	0.85 YE/BN	Brake Fluid Level Sensor Signal
2	0.75 BK	Grounding

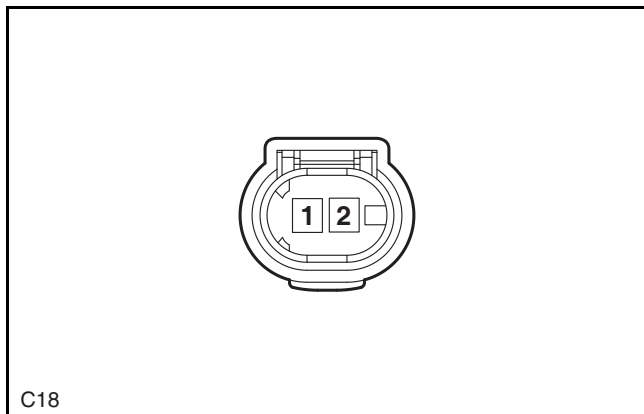
Washer Motor (Rear)



C17 Wiring Harness Connector Pin Definition

Pin No.	Wire Diameter/Color	Function
1	0.85 BU/RD	Power Supply
2	0.75 BK	Grounding

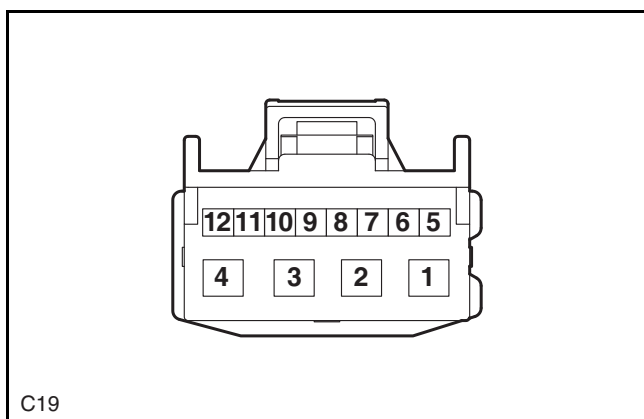
Right Front Wheel Speed Sensor



C18 Wiring Harness Connector Pin Definition

Pin No.	Wire Diameter/Color	Function
1	0.3 GN/WH	Right Front Wheel Speed Sensor +
2	0.3 VT/GN	Right Front Wheel Speed Sensor -

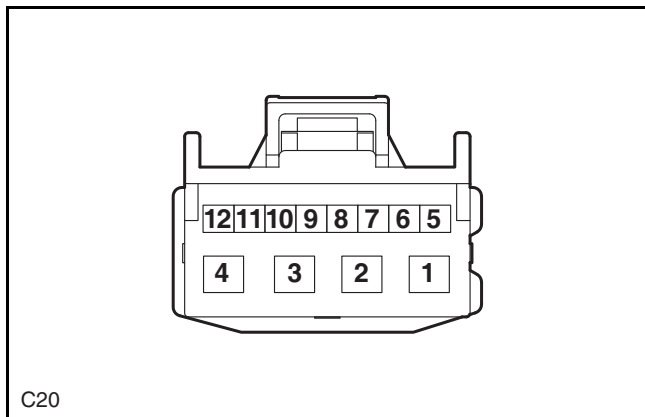
Electronic Shift Controller A



C19 Wiring Harness Connector Pin Definition

Pin No.	Wire Diameter/Color	Function
1	1.25 RD/GN	Power Supply
2	1.25 RD/GN	Power Supply
3	0.75 BK	Grounding
4	0.75 BK	Grounding D
7	0.35 OG	IG1 Power Supply
9	0.35 LG/BK	CAN_L
10	0.35LG	CAN_H

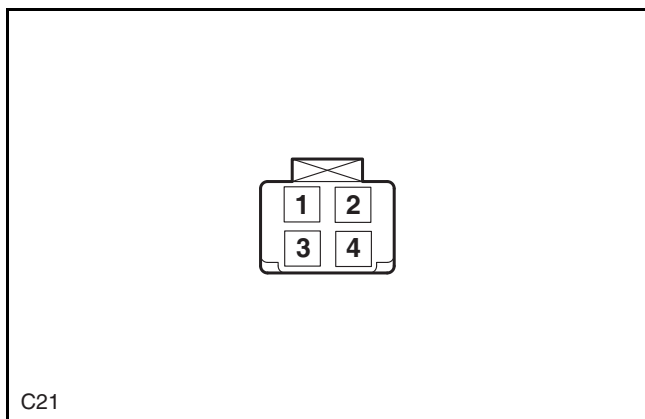
Electronic Shift Controller B



C20 Wiring Harness Connector Pin Definition

Pin No.	Wire Diameter/Color	Function
1	0.75 YE/GN	Motor +
4	0.75 WH/BN	Motor -
6	0.5 RD/BU	5V Power Supply
7	0.5 WH/BK	GND
8	0.5 VT	Position Feedback

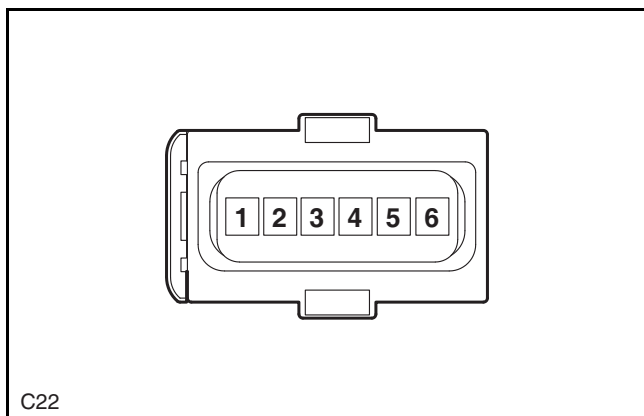
Brake Switch



C21 Wiring Harness Connector Pin Definition

Pin No.	Wire Diameter/Color	Function
1	0.5 GN/OG	Brake Switch Signal
2	0.5 WH/BU	Power Supply
3	0.5 BN/BU	Brake Lamp Switch Signal
4	0.5 PK/BK	Power Supply

Accelerator Pedal Position Sensor

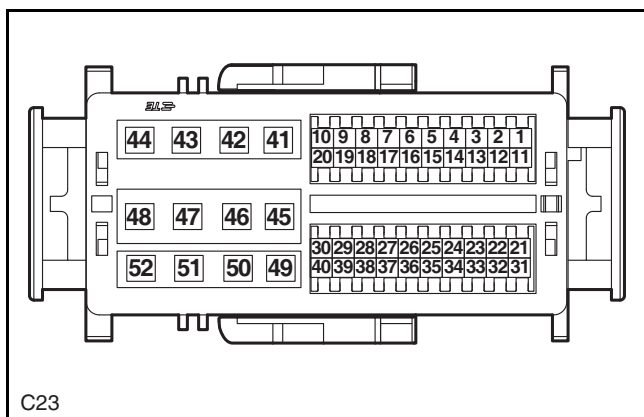


C22

C22 Wiring Harness Connector Pin Definition

Pin No.	Wire Diameter/Color	Function
1	0.5 GN/WH	Sensor 2 Output
2	0.5 VT/YE	Sensor 2 Power Supply
3	0.5 PK/GN	Sensor 1 Power Supply
4	0.5 YE/VT	Sensor 1 Output
5	0.5 BN/WH	Sensor 1 Grounding
6	0.5 YE/BK	Sensor 2 Grounding

BDC-J5 (Engine Compartment)



C23

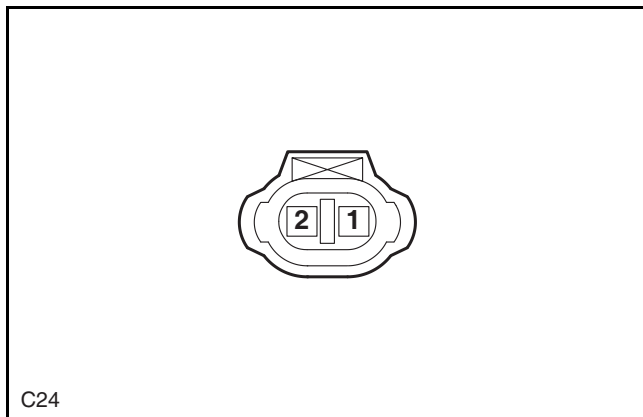
C23 Wiring Harness Connector Pin Definition

Pin No.	Wire Diameter/Color	Function
1	-	-
2	0.35 LG	CAN_H
3	0.35 LG/BK	CAN_L
4	0.35 VT	CAN_H

Pin No.	Wire Diameter/Color	Function
5	0.35 VT/WH	CAN_L
6	-	-
7	-	-
8	-	-
9	-	-
10	-	-
11	-	-
12	0.35 GN/BU	P/N Signal
13	-	-
14	0.35 0.5 BU/WH	Front Wiper Stop Signal
15	-	-
16	-	-
17	-	-
18	-	-
19	-	-
20	-	-
21	-	-
22	-	-
23	0.35 WH/BN	Turn Lamp Diagnosis Feedback Signal
24	-	-
25	0.35 VT	CAN_H
26	0.35 VT/WH	CAN_L
27	0.35 GN/WH	Front Wiper/Power Supply Control
28	-	-
29	0.5 LG/RD	Front Windshield Relay - Left
30	0.35 VT/GN	High Beam Relay
31	0.35	Rear Defroster Relay
32	-	-
33	0.75 YE	Turn Lamp Diagnosis Feedback Signal
34	0.35 WH/YE	Reverse Switch
35	-	-

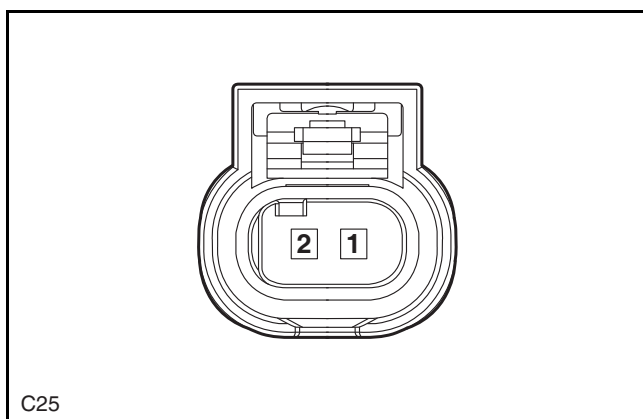
Pin No.	Wire Diameter/Color	Function
36	0.5 BN/BU	Brake Switch
37	0.35 LG/YE	Horn Relay
38	0.35 GN/RD	Front Wiper High/Low Speed Control
39	0.5 RD/BU	Front Windshield Relay - Right
40	0.35 GY/GN	Rear Wiper Relay
41	0.5 RD/GN	Power Supply
42	0.75 RD/WH	Power Supply
43	0.5 WH/RD	Power Supply
44	0.5 GY/BK	Power Supply
45	1.25 BK	Grounding
46	1.25 BK	Grounding
47	1.25 BK	Grounding
48	0.5 VT/WH	Power Supply
49	1.25 RD/BK	Power Supply
50	0.75 GY	Power Supply
51	2.0 BU/GN	Oil Pump Pressure Buildup Relay Output
52	0.75 GY/VT	Power Supply

Engine Hood Switch

**C24 Wiring Harness Connector Pin Definition**

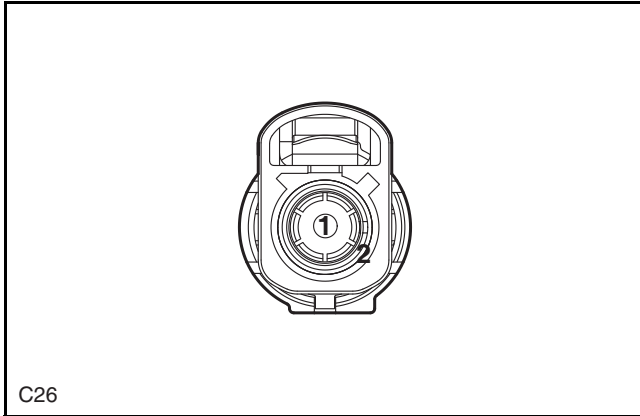
Pin No.	Wire Diameter/Color	Function
1	0.75 YR	Engine Hood Switch Signal
2	0.75 BK	Engine Hood Switch Power Supply

Right Front Collision Sensor

**C25 Wiring Harness Connector Pin Definition**

Pin No.	Wire Diameter/Color	Function
1	0.5 GN/WH	Passenger Front Sensor Positive
2	0.5 GN/VT	Passenger Front Sensor Negative

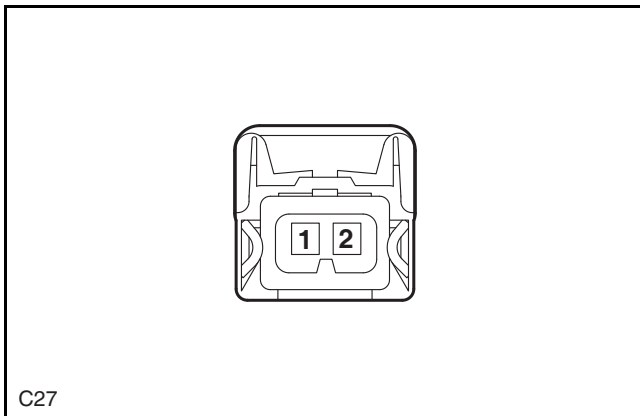
HD Panoramic Front Camera



C26 Wiring Harness Connector Pin Definition

Pin No.	Wire Diameter/Color	Function
1	0.5 BU	Front Camera +
2	0.3 WH	Front Camera -

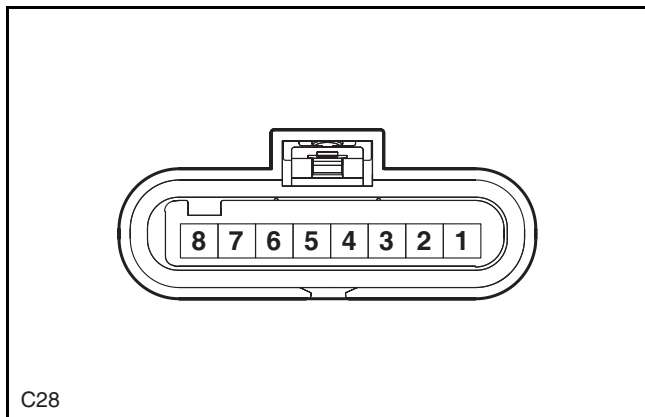
Electric Horn 1



C27 Wiring Harness Connector Pin Definition

Pin No.	Wire Diameter/Color	Function
1	0.75 GN/YE	Power Supply
2	0.75 BK	Grounding

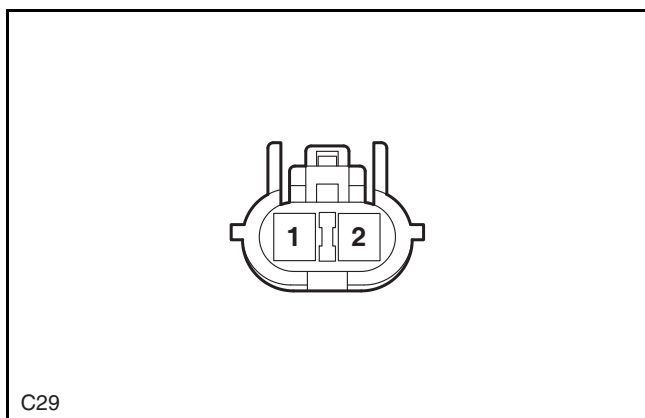
Self-adaptive Cruise Controller



C28 Wiring Harness Connector Pin Definition

Pin No.	Wire Diameter/Color	Function
1	-	-
2	-	-
3	WH/GN	CAN_L
4	WH	CAN_H
5	BK	Grounding
6	BU/YE	CAN1_L
7	0.3 BU	CAN1_H
8	0.5 OG/BU	Power Supply

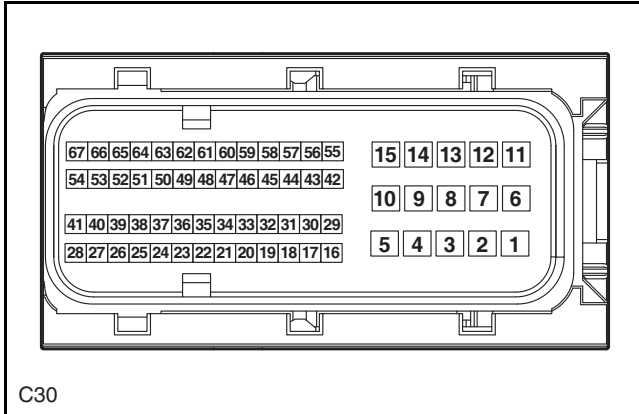
Outside Temperature Sensor



C29 Wiring Harness Connector Pin Definition

Pin No.	Wire Diameter/Color	Function
1	0.3 WH/RD	Outside Temperature Sensor Input
2	0.3 BU/RD	Outside Temperature Sensor Grounding

TCU



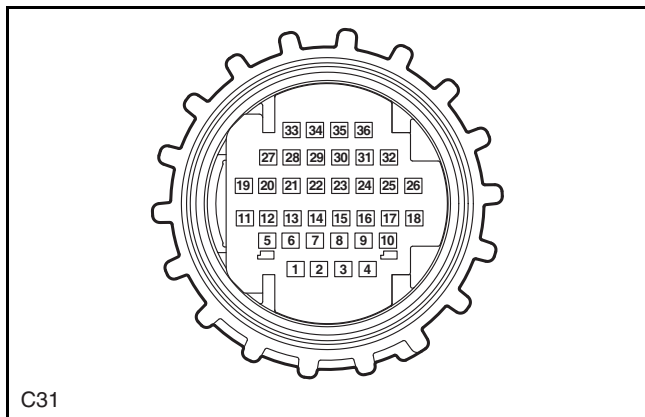
C30 Wiring Harness Connector Pin Definition

Pin No.	Wire Diameter/Color	Function
1	-	-
2	-	-
3	-	-
4	-	-
5	2.0 BK	Grounding
6	0.5 WH/YE	HSD3 Solenoid Valve 1 (+)
7	2.0 BK	Grounding
8	0.5 RD/GN	Odd Clutch Solenoid Valve (Negative)
9	0.5 BU/RD	AR1 Solenoid Valve (Negative)
10	0.5 BK	Logic Solenoid Valve 1 (Negative)
11	0.5 PK	HSD1 Solenoid Valve 1 (+)
12	0.5 WH/GN	HSD2 Solenoid Valve (+)
13	-	-
14	-	-
15	2.0 RD	TCU Power Supply
16	-	-
17	-	-
18	0.3 GY/OG	Back-up Lamp Signal
19	0.5 LG	Vehicle CAN High
20	0.5 LG/BK	Vehicle CAN Low
21	-	-

Pin No.	Wire Diameter/Color	Function
22	0.3 GN/BU	P/N Signal
23	-	-
24	0.5 BU	5V Grounding Wire
25	-	-
26	-	-
27	-	-
28	-	-
29	-	-
30	-	-
31	-	-
32	0.5 YE/RD	TCU Wake Up
33	0.5 PK/GN	Logic Solenoid Valve 2 (Negative)
34	0.5 BU/GN	5V Grounding Wire
35	-	-
36	-	-
37	-	-
38	-	-
39	0.5 OG/GN	Oil Temperature Sensor
40	-	-
41	-	-
42	0.5 GN/BK	5V Power Supply
43	0.5 YE/BK	8V Power Supply
44	0.5 WH	Main Pressure Solenoid Valve (Negative)
45	0.5 BK/YE	Lubrication Solenoid Valve Negative
46	-	-
47	0.5 GY	Even Clutch Solenoid Valve Negative
48	0.5 RD/BK	AR2 Solenoid Valve (Negative)
49	0.5 BN	5V Grounding Wire
50	-	-
51	0.5 OG/BU	Clutch 1 Pressure Sensor
52	0.5 GN/RD	Clutch 2 Pressure Sensor

Pin No.	Wire Diameter/Color	Function
53	0.5 RD/WH	Power Supply
54	0.5 WH/BU	5V Power Supply
55	-	-
56	-	-
57	0.5 VT/YE	Fork 2 Signal
58	0.5 LG/WH	Fork 3 Signal
59	-	-
60	0.5 YE	Odd Clutch Speed
61	0.5 OG/BK	5V Grounding Wire
62	0.5 YE/RD	Even Clutch Speed
63	-	-
64	0.5 GN/YE	Fork 1 Signal
65	0.5 GN	Fork 4 Signal
66	-	-
67	-	-

HCU

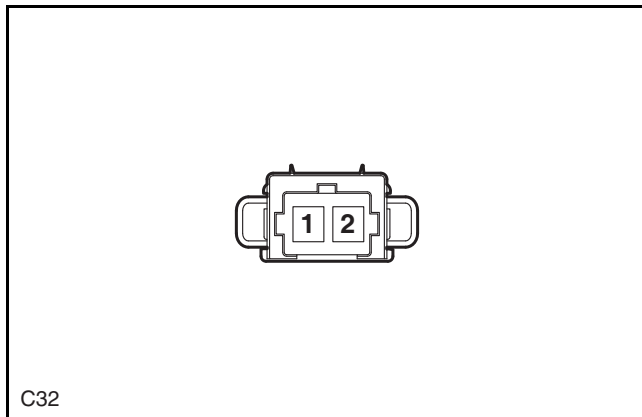


C31 Wiring Harness Connector Pin Definition

Pin No.	Wire Diameter/Color	Function
1	0.5 GN/YE	Fork 1 Signal
2	0.5 VT/YE	Fork 2 Signal
3	0.5 LG/WH	Fork 3 Signal
4	0.5 GN	Fork 4 Signal
5	0.5 WH/BU	5V Sensor Power Supply (+)
6	0.5 OG/BK	5V Power Supply (Grounding)
7	0.5 GN/BK	5V Sensor Power Supply (+)
8	0.5 BU/GN	5V Power Supply (Grounding)
9	0.5 BK/YE	Lubrication Solenoid Valve (Negative)
10	0.5 WH	Main Pressure Solenoid Valve (Negative)
11	0.5 PK/	Logic Solenoid Valve 2 (Negative)
12	0.5 BK	Logic Solenoid Valve 1 (Negative)
13	0.5 GY	Even Clutch Pressure Solenoid Valve (Negative)
14	0.5 WH/YE	HSD3 Solenoid Valve (+)
15	0.5 WH/YE	HSD3 Solenoid Valve (+)
16	0.5 WH/GN	HSD2 Solenoid Valve (+)
17	0.5 WH/GN	HSD2 Solenoid Valve (+)
18	0.5 WH/GN	HSD2 Solenoid Valve (+)
19	0.5 RD/GN	Odd Clutch Solenoid Valve (Negative)
20	0.5 BU/RD	AR1 Solenoid Valve (Negative)
21	0.5 RD/BK	AR2 Solenoid Valve (Negative)

Pin No.	Wire Diameter/Color	Function
22	0.5 PK	HSD1 Solenoid Valve (+)
23	0.5 PK	HSD1 Solenoid Valve (+)
24	0.5 PK	HSD1 Solenoid Valve (+)
25	0.5 OG/BU	Clutch 1 Pressure Sensor
26	0.5 GN/RD	Clutch 2 Pressure Sensor
27	0.5 GN/BK	5V Sensor Power Supply (+)
28	0.5 BN	5V Grounding Wire
29	-	-
30	-	-
31	0.5 WH/BU	5V_2 Power Supply
32	0.5 BU	5V Grounding Wire

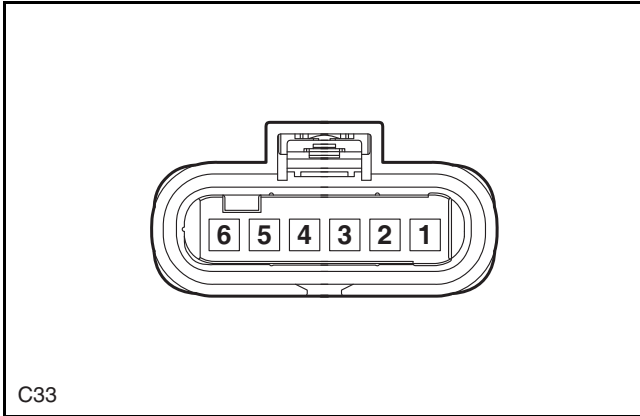
Oil Temperature Sensor



C32 Wiring Harness Connector Pin Definition

Pin No.	Wire Diameter/Color	Function
1	0.5 BN	Oil Temperature Sensor 5V Grounding
2	0.5 OG/GN	Oil Temperature Sensor Signal

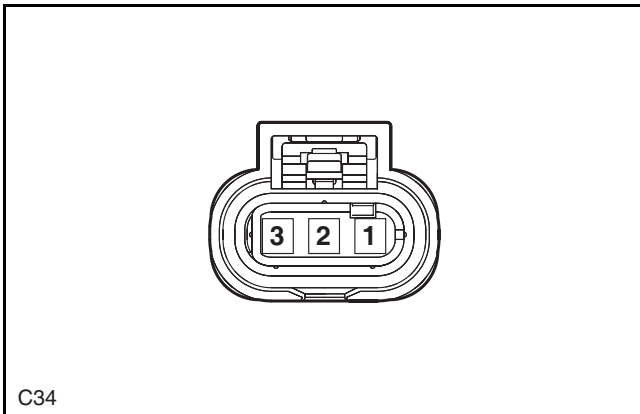
Electronic Shift Actuator



C33 Wiring Harness Connector Pin Definition

Pin No.	Wire Diameter/Color	Function
1	-	-
2	0.85 WH/BN	Motor -
3	0.85 YEGN	Motor +
4	0.5 WH/BK	GND
5	0.5 VT	Position Feedback
6	0.5 RD/BU	5V Power Supply

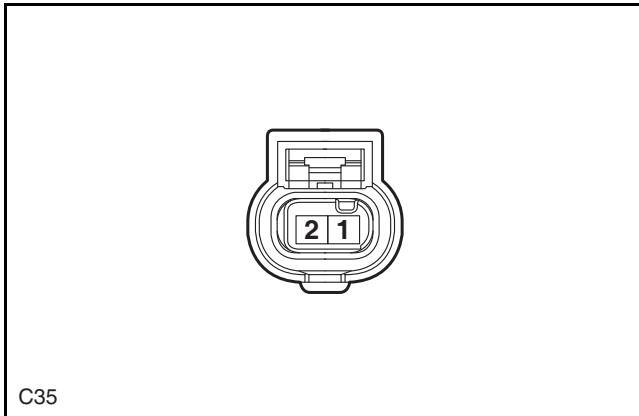
PRND Sensor



C34 Wiring Harness Connector Pin Definition

Pin No.	Wire Diameter/Color	Function
1	0.5 BU/GN	Power Supply Grounding
2	0.5 GN/BK	Power Supply
3	0.5 GY/YE	Output Signal

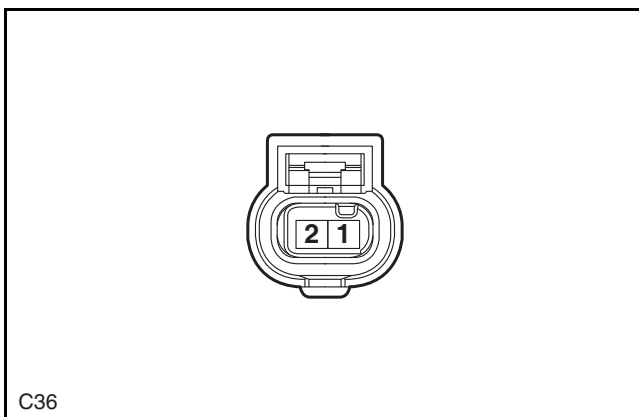
Input Shaft 1 Speed Sensor



C35 Wiring Harness Connector Pin Definition

Pin No.	Wire Diameter/Color	Function
1	0.5 YE	Input Shaft 1 Speed Sensor Power Supply
2	0.5 YE/BK	Input Shaft 1 Speed Sensor Signal

Input Shaft 2 Speed Sensor

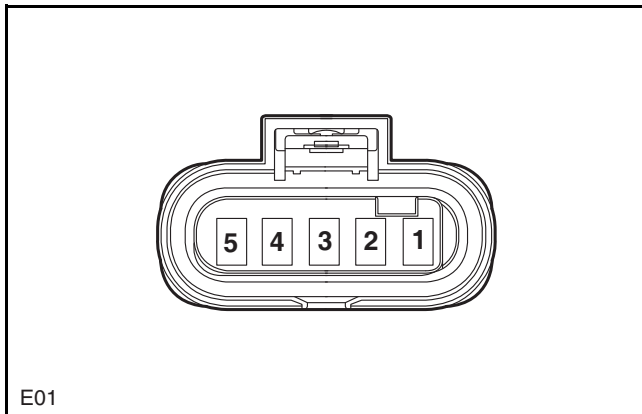


C36 Wiring Harness Connector Pin Definition

Pin No.	Wire Diameter/Color	Function
1	0.5 YE/RD	Input Shaft 2 Speed Sensor Power Supply
2	0.5 RD/WH	Input Shaft 2 Speed Sensor Signal

Engine Wiring Harness Connector (E--)

Front Oxygen Sensor

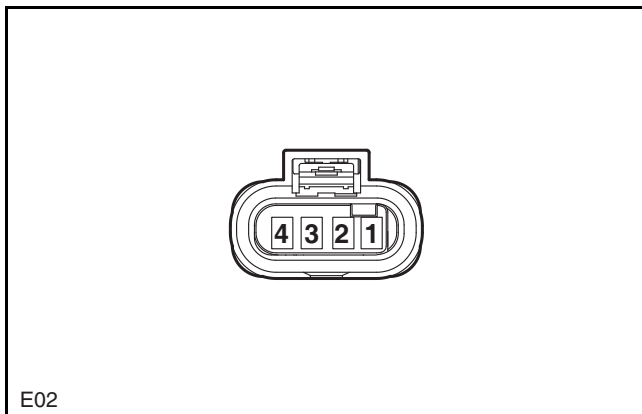


E01

E01 Wiring Harness Connector Pin Definition

Pin No.	Wire Diameter/Color	Function
1	0.5 WH/RD	Front Oxygen Signal 2
2	0.5 BN/YE	Front Oxygen Output
3	0.75 BK/RD	Front Oxygen Heater
4	0.75 WH/GN	Power Supply
5	0.5 BU/RD	Front Oxygen Signal 1

Rear Oxygen Sensor

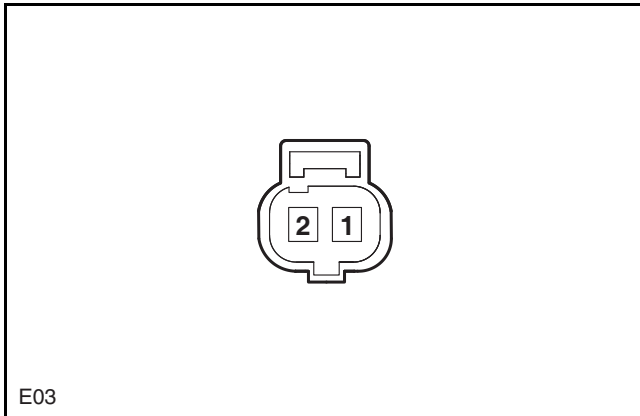


E02

E02 Wiring Harness Connector Pin Definition

Pin No.	Wire Diameter/Color	Function
1	0.5 BU/BN	Rear Oxygen Sensor
2	0.5 GY/GN	Rear Oxygen Sensor Grounding
3	0.5 OG/BK	Rear Oxygen Heater
4	0.5 WH/GN	Power Supply

Variable Displacement Oil Pump

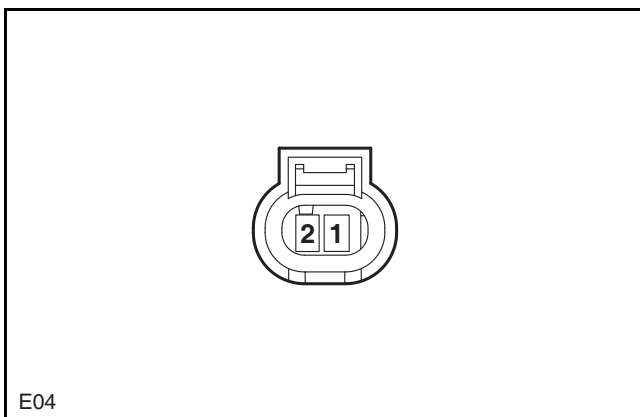


E03

E03 Wiring Harness Connector Pin Definition

Pin No.	Wire Diameter/Color	Function
1	0.5 RD/GN	Power Supply
2	0.5 PK/BU	Variable Displacement Oil Pump Signal

PCJ Control Valve

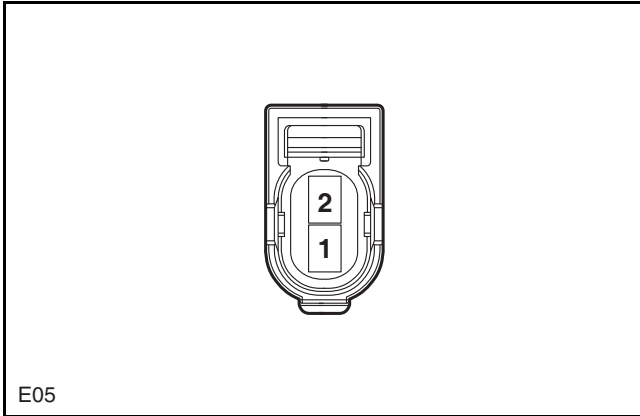


E04

E04 Wiring Harness Connector Pin Definition

Pin No.	Wire Diameter/Color	Function
1	0.5 RD/GN	Power Supply
2	0.85 YE/BU	PCJ Control Valve Signal

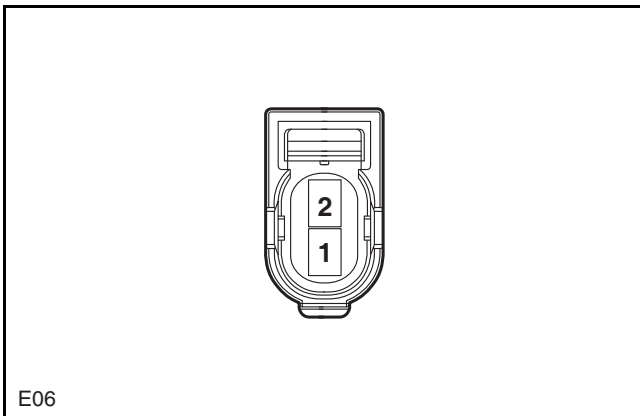
OCV Exhaust Valve



E05 Wiring Harness Connector Pin Definition

Pin No.	Wire Diameter/Color	Function
1	0.5 YE/BK	OCV Exhaust Valve Signal
2	0.5 WH/GN	Power Supply

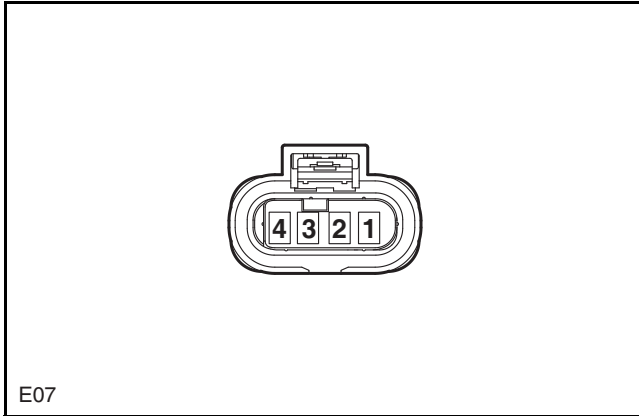
OCV Intake Valve



E06 Wiring Harness Connector Pin Definition

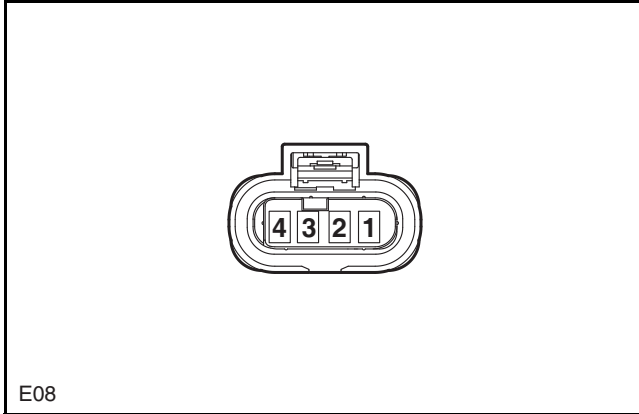
Pin No.	Wire Diameter/Color	Function
1	0.5 YE/WH	OCV Intake Valve Signal
2	0.5 WH/GN	Power Supply

To Ignition Coil-1

**E07 Wiring Harness Connector Pin Definition**

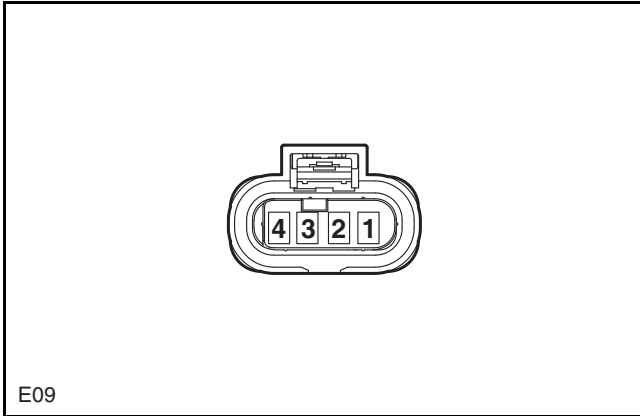
Pin No.	Wire Diameter/Color	Function
1	1.25 BK/VT	Grounding
2	0.85 WH/YE	Ignition Coil-1 Signal
3	1.25 BK	Grounding
4	1.25 BK/YE	Power Supply

To Ignition Coil-2

**E08 Wiring Harness Connector Pin Definition**

Pin No.	Wire Diameter/Color	Function
1	1.25 BK/VT	Grounding
2	0.85 PK	Ignition Coil-1 Signal
3	1.25 BK	Grounding
4	1.25 BK/YE	Power Supply

To Ignition Coil-3

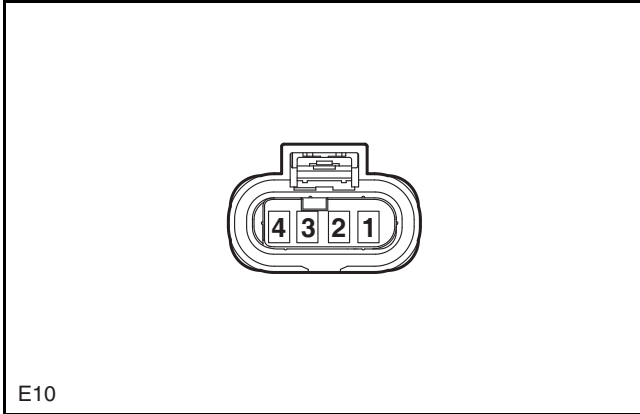


E09

E09 Wiring Harness Connector Pin Definition

Pin No.	Wire Diameter/Color	Function
1	1.25 BK/VT	Grounding
2	0.85 WH/GN	Ignition Coil-1 Signal
3	1.25 BK	Grounding
4	1.25 BK/YE	Power Supply

To Ignition Coil-4

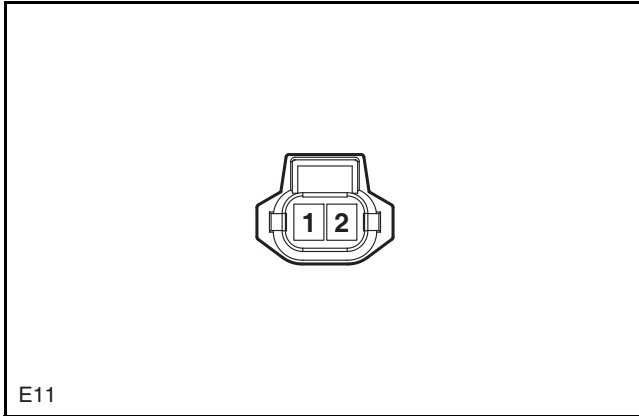


E10

E10 Wiring Harness Connector Pin Definition

Pin No.	Wire Diameter/Color	Function
1	1.25 BK/VT	Grounding
2	0.85 RD/BU	Ignition Coil-1 Signal
3	1.25 BK	Grounding
4	1.25 BK/YE	Power Supply

High Pressure Oil Pump

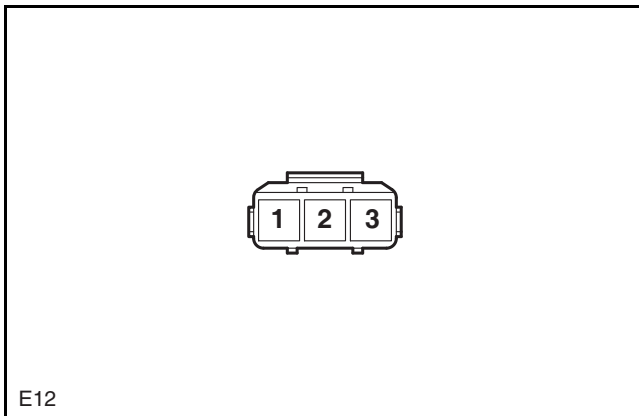


E11

E11 Wiring Harness Connector Pin Definition

Pin No.	Wire Diameter/Color	Function
1	0.5 PK	High Pressure Oil Pump Power Supply
2	0.5 OG	High Pressure Oil Pump Grounding

Intake Camshaft Position Sensor

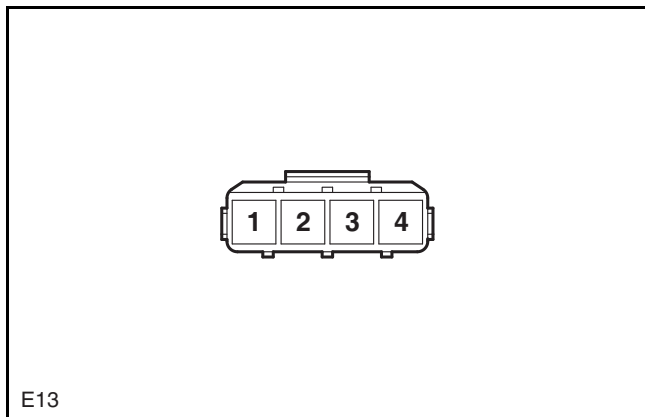


E12

E12 Wiring Harness Connector Pin Definition

Pin No.	Wire Diameter/Color	Function
1	0.5 OG/BK	Intake Camshaft Position Sensor Grounding
2	0.5 WH/BN	Intake Camshaft Position Sensor Power Supply
3	0.5 YE/BN	Intake Camshaft Position Sensor Signal

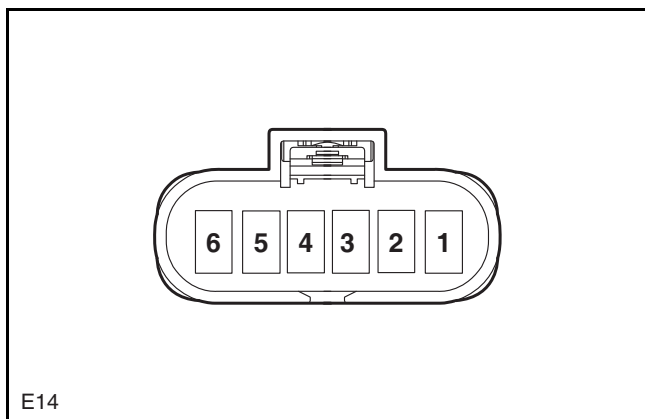
Air Intake Temperature/Pressure Sensor



E13 Wiring Harness Connector Pin Definition

Pin No.	Wire Diameter/Color	Function
1	0.5 WH/RD	Air Intake Temperature/Pressure Sensor Grounding
2	0.5 WH/BU	Intake Pressure Sensor Signal
3	0.5 PK/BU	Air Intake Temperature/Pressure Sensor Power Supply
4	0.5 BU/WH	Intake Temperature Sensor Signal

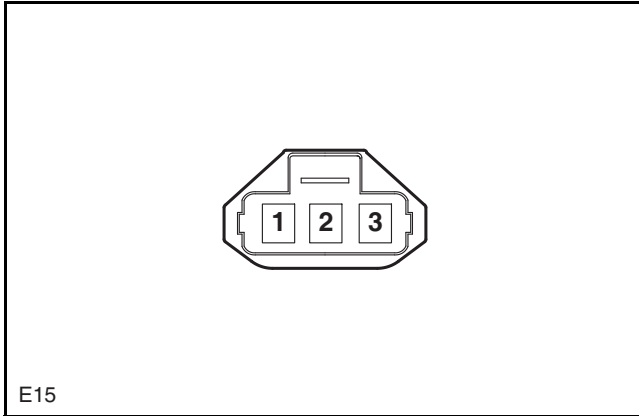
Electronic Throttle Position Sensor



E14 Wiring Harness Connector Pin Definition

Pin No.	Wire Diameter/Color	Function
1	0.85 WH/RD	Electronic Throttle Valve Control -
2	0.85 RD/BU	Electronic Throttle Valve Control +
3	0.5 RD	Throttle Position Sensor Signal 2
4	0.5 VT	Electronic Throttle Valve 5V Power Supply
5	0.5 BU	Throttle Position Sensor Grounding
6	0.5 GN	Throttle Position Sensor Signal 1

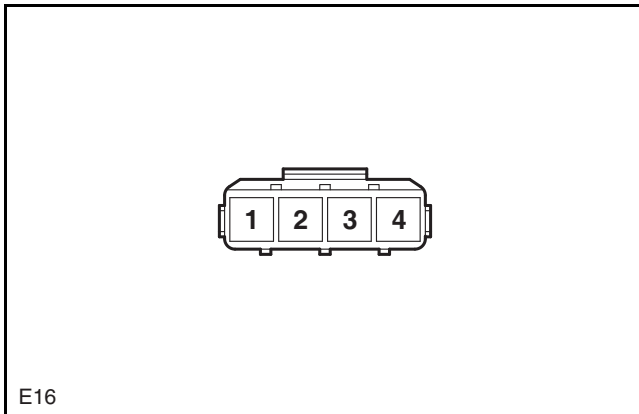
Fuel Rail Pressure Sensor



E15 Wiring Harness Connector Pin Definition

Pin No.	Wire Diameter/Color	Function
1	0.5 YE	Fuel Rail Pressure Sensor Grounding
2	0.5 BU	Fuel Rail Pressure Sensor Signal
3	0.5 PK/BU	Fuel Rail Pressure Sensor 5V Power Supply

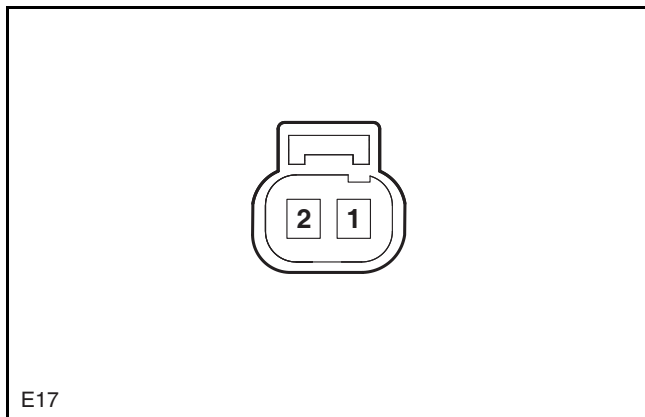
Boost Pressure/Temperature Sensor



E16 Wiring Harness Connector Pin Definition

Pin No.	Wire Diameter/Color	Function
1	0.5 WH/RD	Boost Pressure/Temperature Sensor Grounding (Intercooler)
2	0.5 BK/WH	Boost Temperature Sensor Signal (Intercooler)
3	0.5 PK/BU	Sensor 5V Power Supply
4	0.5 BN/BU	Boost Pressure Sensor Signal (Intercooler)

Carbon Canister Solenoid Valve

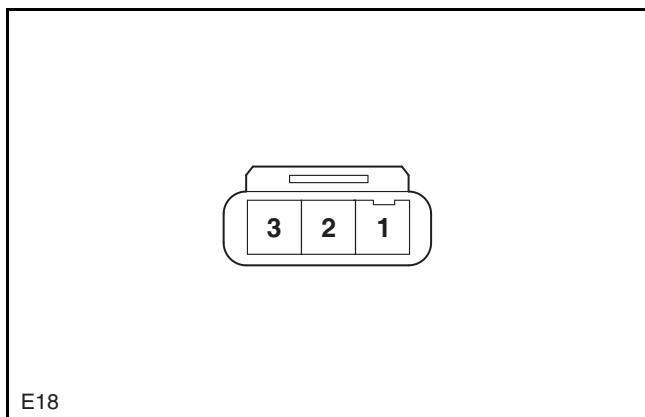


E17

E17 Wiring Harness Connector Pin Definition

Pin No.	Wire Diameter/Color	Function
1	0.5 WH/GN	Carbon Canister Control Valve Power Supply
2	0.5 BU/GN	Carbon Canister Control Valve Signal

Desorption Pressure Sensor

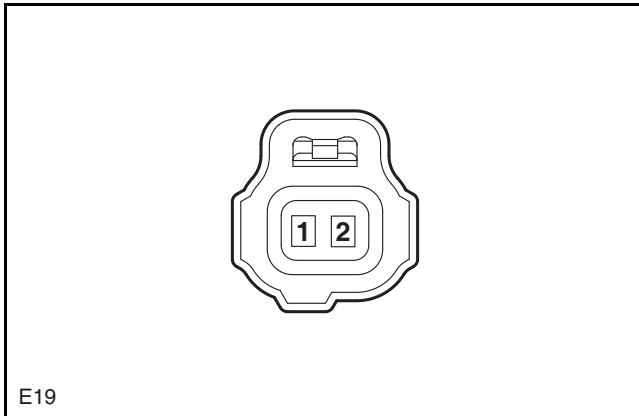


E18

E18 Wiring Harness Connector Pin Definition

Pin No.	Wire Diameter/Color	Function
1	0.5 WH	High Desorption Pressure Sensor Signal
2	0.5 WH/RD	High Desorption Pressure Sensor Grounding
3	0.5 PK/BU	High Desorption Pressure Sensor 5V Power Supply

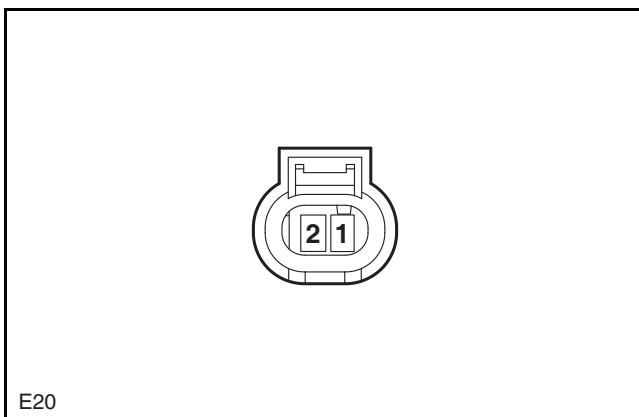
Air Intake Pressure Discharge Valve



E19 Wiring Harness Connector Pin Definition

Pin No.	Wire Diameter/Color	Function
1	0.85 GY/BK	Air Intake Pressure Discharge Valve Signal
2	0.85 WH/GN	Air Intake Pressure Discharge Valve Power Supply

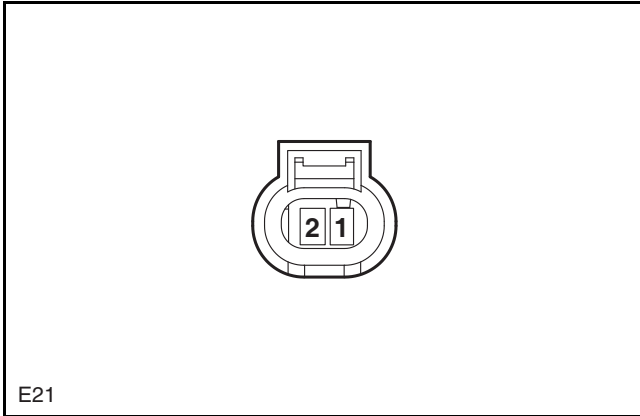
Coolant Temperature Sensor



E20 Wiring Harness Connector Pin Definition

Pin No.	Wire Diameter/Color	Function
1	0.5 BU/RD	Coolant Temperature Sensor Signal
2	0.5 GN/RD	Coolant Temperature Sensor Power Supply

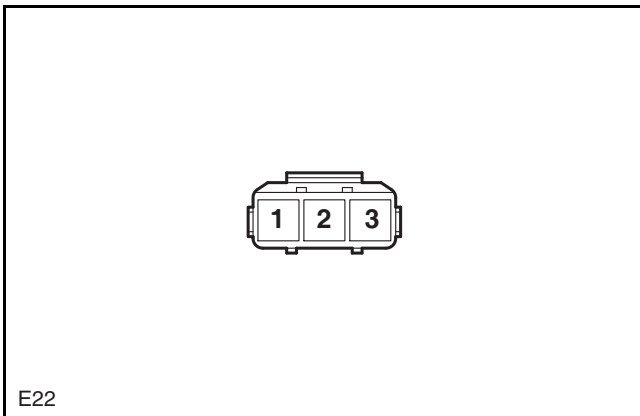
Electric Wiring Harness Conduit



E21 Wiring Harness Connector Pin Definition

Pin No.	Wire Diameter/Color	Function
1	0.5 BU/RD	Electric Wiring Harness Conduit Power Supply
2	0.5 WH/RD	Electric Wiring Harness Conduit Signal

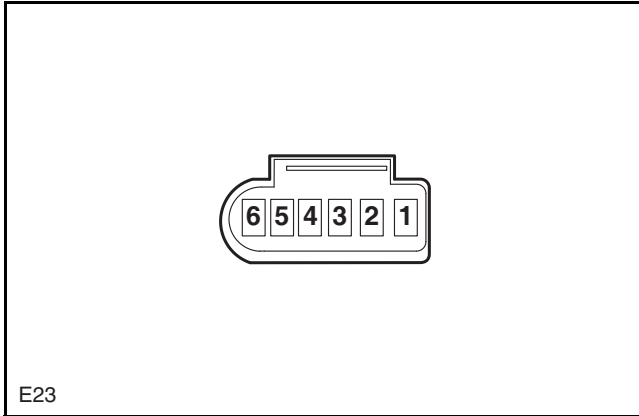
Exhaust Camshaft Position Sensor



E22 Wiring Harness Connector Pin Definition

Pin No.	Wire Diameter/Color	Function
1	0.5 BN/YE	Camshaft Position Sensor Grounding (Exhaust)
2	0.5 BU/RD	Camshaft Position Sensor Signal (Exhaust)
3	0.5 WH/RD	Sensor Power Supply 5V

Exhaust Bypass Actuator

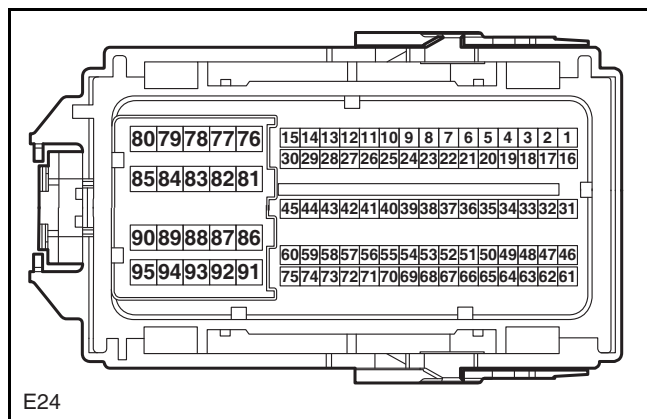


E23

E23 Wiring Harness Connector Pin Definition

Pin No.	Wire Diameter/Color	Function
1	0.5 BU/RD	Grounding
2	0.5 WH/RD	Electric Actuator Position Signal
3	0.5 GN/RD	Sensor Power Supply 5V
4	0.75 BK/RD	Electric Actuator Control +
5	0.75 RD/BU	Electric Actuator Control -
6	-	-

ECU-1



E24 Wiring Harness Connector Pin Definition

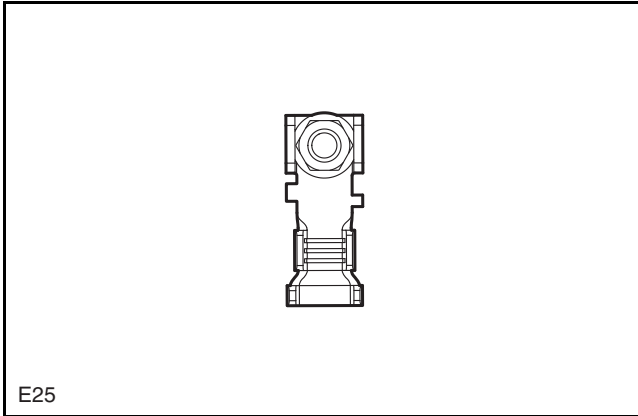
Pin No.	Wire Diameter/Color	Function
1	0.5 GN/RD	Sensor Power Supply 5V (5V2)
2	0.5 YE/BK	Sensor Power Supply 5V (5V2)
3	0.5 PK/BU	Sensor Power Supply 5V (5V3)
4	-	-
5	-	-
6	0.5 BU	Analog Sensor Grounding 1
7	0.5 BU/RD	Analog Sensor Grounding 2
8	0.5 YE	Analog Sensor Grounding 3
9	0.5 WH/RD	Boost Pressure/Temperature Sensor Grounding (Intercooler)
10	0.5 BN/YE	Camshaft Position Sensor Grounding (Exhaust)
11	0.5 OG/BK	Camshaft Position Sensor Grounding (Intake)
12	0.85 PK	Cylinder 2 Ignition
13	0.85 RD/BU	Cylinder 4 Ignition
14	0.85 WH/YE	Cylinder 1 Ignition
15	0.85 WH/GN	Cylinder 3 Ignition
16	0.5 VT	Sensor Power Supply 5V (5V1)
17	0.5 WH/RD	Sensor Power Supply 5V (5V1)
18	0.5 WH	Sensor Power Supply 5V (5V3)
19	-	-
20	0.5 RD	Crankshaft Position Sensor Grounding
21	-	-

Pin No.	Wire Diameter/Color	Function
22	0.5 GN/RD	Coolant Temperature Sensor Signal 1
23	0.5 BU/OG	Oil Pressure Sensor
24	0.5 BU/YE	Cruise Control Signal
25	-	-
26	0.5 WH	High Desorption Pressure Sensor Signal
27	0.5 BN/BU	Boost Pressure Sensor Signal (Intercooler)
28	0.5 BU/WH	Boost Pressure Sensor Signal (Intake Manifold)
29	0.5 BK/WH	Boost Temperature Sensor Signal (Intercooler)
30	0.5 WH/BN	Camshaft Position Sensor Signal (Intake)
31	0.5 WH/GN	Fuel Tank Pressure Sensor
32	0.5 BU/RD	Conductive PCV Pipe
33	-	-
34	0.5 RD	Electronic Throttle Valve Feedback Signal 2
35	-	-
36	0.5 BU	Fuel Rail Pressure Sensor Signal
37	-	-
38	0.5 WH/BU	Boost Temperature Sensor Signal (Intake Manifold)
39	-	-
40	0.5 GN	Electronic Throttle Valve Feedback Signal 1
41	-	-
42	-	-
43	-	-
44	-	-
45	0.5 BU/RD	Camshaft Position Sensor Signal (Exhaust)
46	0.5 RD	Knock Sensor (+)
47	0.5 GN	Knock Sensor (-)
48	-	-
49	-	-
50	-	-
51	-	-
52	-	-

Pin No.	Wire Diameter/Color	Function
53	-	-
54	0.5 WH/RD	Electric Actuator Position Signal
55	-	-
56	-	-
57	0.5 BK	Crankshaft Position Sensor Signal
58	-	-
59	-	-
60	-	-
61	-	-
62	-	-
63	-	-
64	-	-
65	-	-
66	-	-
67	-	-
68	-	-
69	-	-
70	-	-
71	-	-
72	-	-
73	-	-
74	-	-
75	-	-
76	0.85 GY/BK	Cylinder 4 Fuel Injector +
77	0.85 WH/YE	Cylinder 4 Fuel Injector -
78	0.85 RD/BK	Cylinder 1 Fuel Injector -
79	0.85 BN/WH	Cylinder 3 Fuel Injector +
80	0.85 RD/GN	Cylinder 2 Fuel Injector +
81	0.75 RD/BU	Electric Actuator Control -
82	0.75 BK/RD	Electric Actuator Control +
83	0.85 BU/BK	Cylinder 1 Fuel Injector +

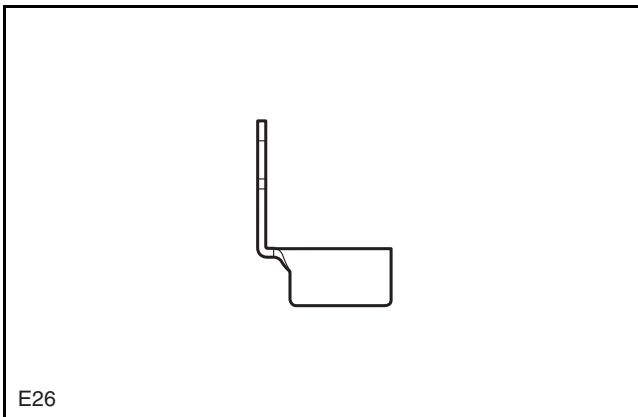
Pin No.	Wire Diameter/Color	Function
84	0.85 GN/WH	Cylinder 3 Fuel Injector -
85	0.85 YE/WH	Cylinder 2 Fuel Injector -
86	0.85 WH/RD	Electronic Throttle Valve Control -
87	-	-
88	-	-
89	-	-
90	0.5 OG	Oil Pressure Control Valve -
91	0.85 RD/BU	Electronic Throttle Valve Control +
92	-	-
93	-	-
94	-	-
95	0.5 PK	Oil Pressure Control Valve +

Starting Motor/Alternator

**E25 Wiring Harness Connector Pin Definition**

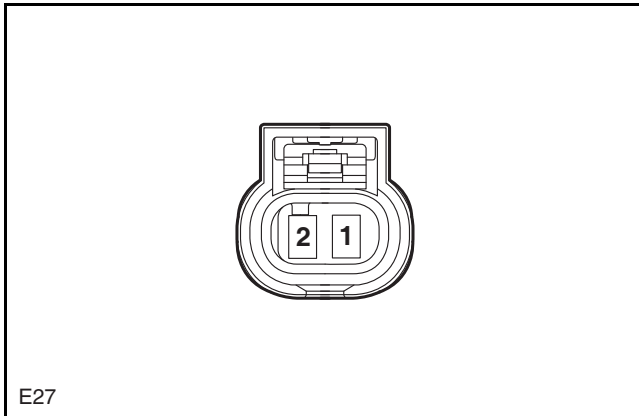
Pin No.	Wire Diameter/Color	Function
1	25 RD	Power Supply

Starting Motor Positive

**E26 Wiring Harness Connector Pin Definition**

Pin No.	Wire Diameter/Color	Function
1	25 RD	Power Supply

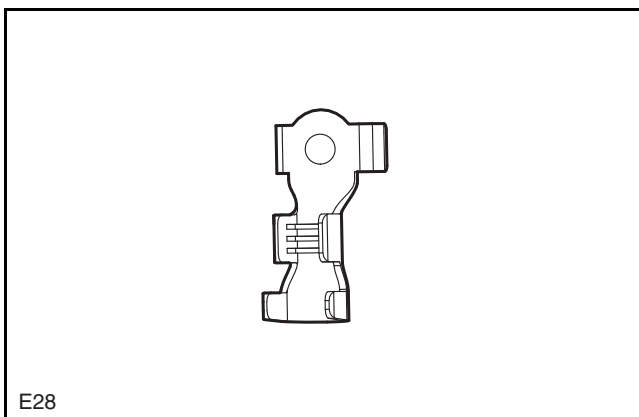
Knock Sensor



E27 Wiring Harness Connector Pin Definition

Pin No.	Wire Diameter/Color	Function
1	0.5 RD	Knock Sensor +
2	0.5 GN	Knock Sensor -

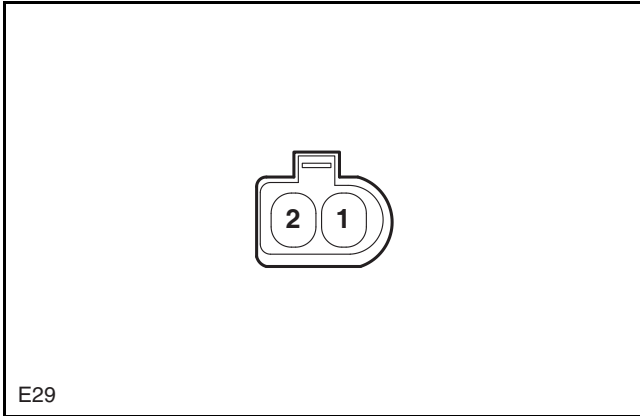
Alternator Positive



E28 Wiring Harness Connector Pin Definition

Pin No.	Wire Diameter/Color	Function
1	25 RD	Power Supply

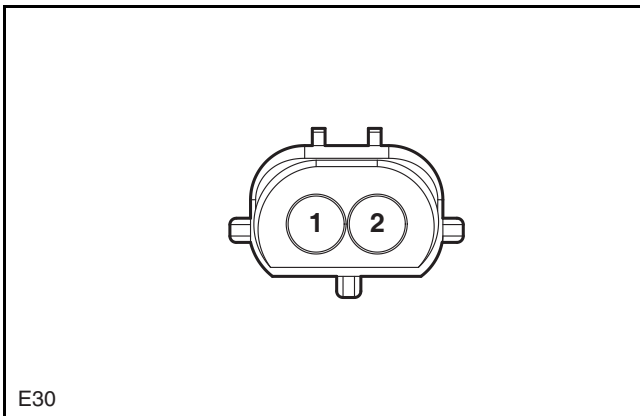
Alternator



E29 Wiring Harness Connector Pin Definition

Pin No.	Wire Diameter/Color	Function
1	0.85 WH/YE	Power Supply
2	-	-

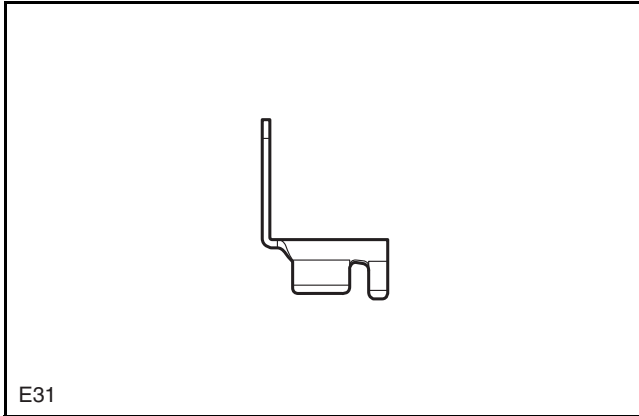
Compressor



E30 Wiring Harness Connector Pin Definition

Pin No.	Wire Diameter/Color	Function
1	0.85 GN/WH	Compressor Power Supply
2	-	-

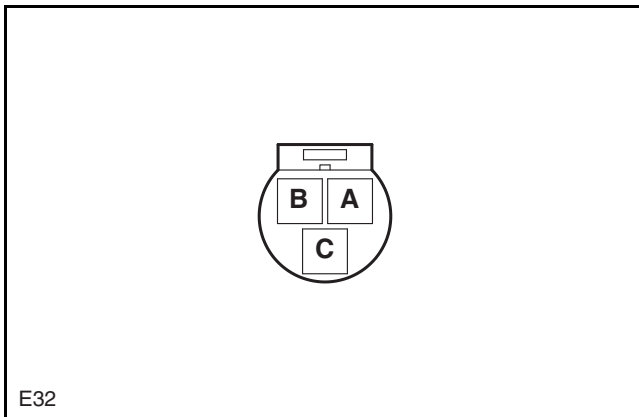
Starting Motor



E31 Wiring Harness Connector Pin Definition

Pin No.	Wire Diameter/Color	Function
1	2 RD	Starting Motor Power Supply

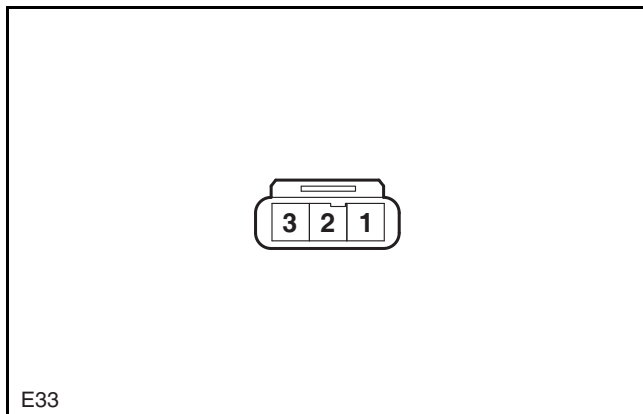
Oil Pressure Alarm Assembly



E32 Wiring Harness Connector Pin Definition

Pin No.	Wire Diameter/Color	Function
1	0.5 YE	Oil Pressure Alarm Assembly Grounding
2	0.5 GN/RD	Sensor Power Supply 5V
3	0.5 BU/OG	Oil Pressure Sensor Signal

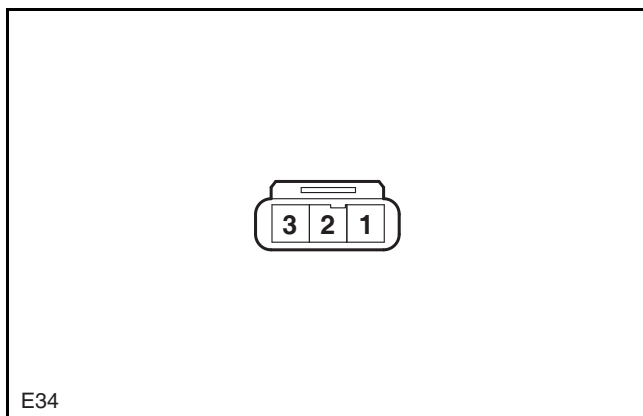
Electric Auxiliary Water Pump



E33 Wiring Harness Connector Pin Definition

Pin No.	Wire Diameter/Color	Function
1	0.85 BK	Electric Auxiliary Water Pump Grounding
2	0.85 RD/GN	Electric Auxiliary Water Pump Power Supply
3	0.5 VT/BK	Electric Auxiliary Water Pump Signal

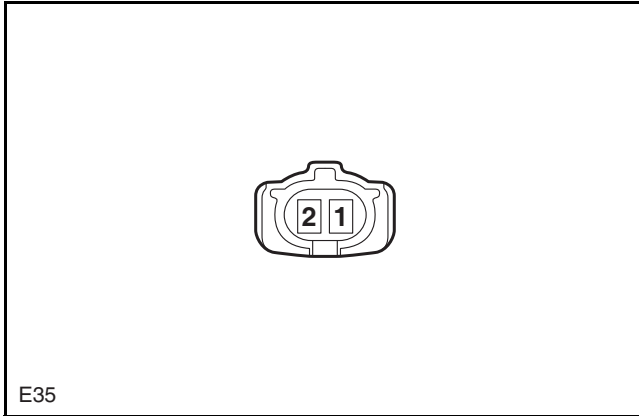
Crankshaft Position Sensor



E34 Wiring Harness Connector Pin Definition

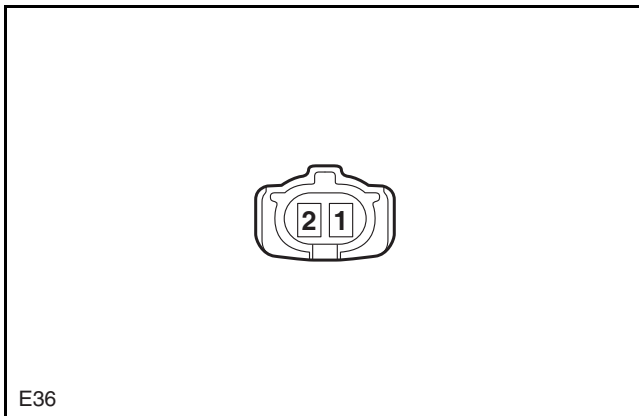
Pin No.	Wire Diameter/Color	Function
1	0.5 WH	Crankshaft Position Sensor 5V Power Supply
2	0.5 RD	Crankshaft Position Sensor Grounding
3	0.5 BK	Crankshaft Position Sensor Signal

Fuel Injector - 1

**E35 Wiring Harness Connector Pin Definition**

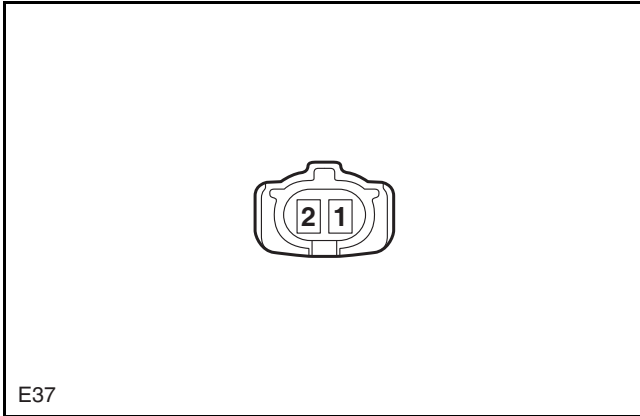
Pin No.	Wire Diameter/Color	Function
1	0.85 RD/BK	Cylinder 1 Fuel Injector -
2	0.85 PK/WH	Cylinder 1 Fuel Injector +

To Fuel Injector - 2

**E36 Wiring Harness Connector Pin Definition**

Pin No.	Wire Diameter/Color	Function
1	0.85 YE/RD	Cylinder 2 Fuel Injector -
2	0.85 RD/GN	Cylinder 2 Fuel Injector +

To Fuel Injector - 3

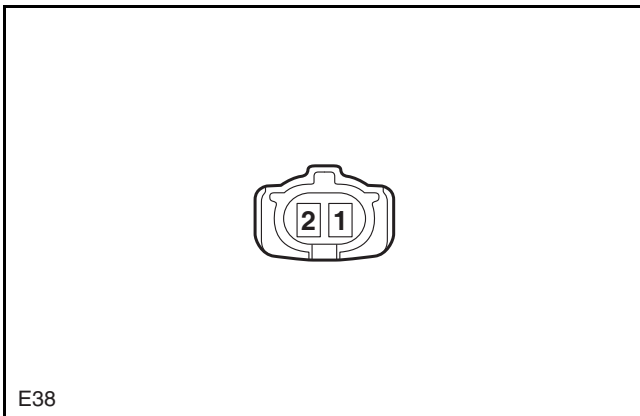


E37

E37 Wiring Harness Connector Pin Definition

Pin No.	Wire Diameter/Color	Function
1	0.85 BU/BK	Cylinder 3 Fuel Injector -
2	0.85 GY/BK	Cylinder 3 Fuel Injector +

To Fuel Injector - 4



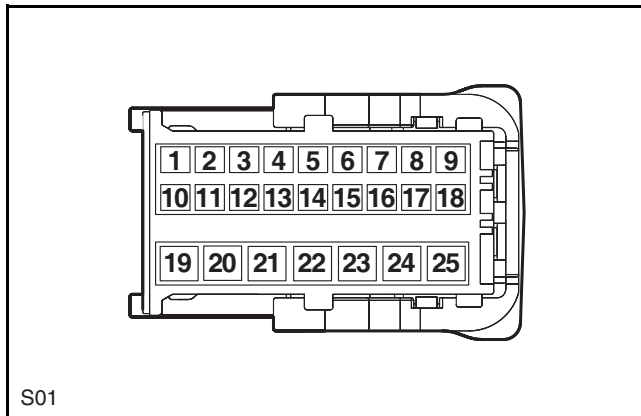
E38

E38 Wiring Harness Connector Pin Definition

Pin No.	Wire Diameter/Color	Function
1	0.85 BN/WH	Cylinder 4 Fuel Injector -
2	0.85 GN/WH	Cylinder 4 Fuel Injector +

Chassis Wiring Harness Connector (S--)

BDC-J4

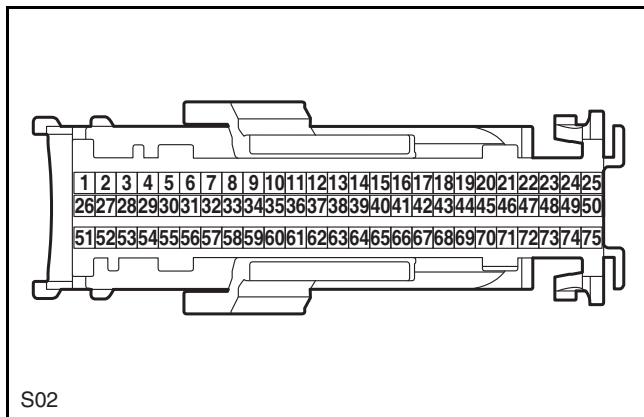


S01 Wiring Harness Connector Pin Definition

Pin No.	Wire Diameter/Color	Function
1	0.3 RD/YE	Backlight
2	1.25 PK/BN	Right Low Beam Output
3	0.5 GN/YE	Right Daytime Running Lamp
4	0.5 RD/BU	High Mounted Brake Lamp
5	-	-
6	1.25 GY/BU	Left Low Beam Output
7	0.5 WH/VT	Left Daytime Running Lamp
8	-	-
9	0.3 WH/BU	Rearview Mirror Folding Output
10	-	-
11	-	-
12	-	-
13	0.5 WH/RD	Brake Lamp
14	0.5 BK/RD	Back-up Lamp Output
15	0.5 GN/BK	Right Rear Turn Lamp
16	0.5 GN/RD	Left Rear Turn Lamp
17	0.5 GN/WH	Left Front Turn Lamp
18	0.3 WH/YE	Rearview Mirror Extending Output
19	0.3 RD/BK	Energy Saving Output
20	0.5 WH/VT	Luggage Compartment Door Release Output

Pin No.	Wire Diameter/Color	Function
21	0.5 YE/BN	Left Front Door Unlock Output
22	0.5 YE/BU	Lock Output
23	0.5 YE/WH	Other Three Doors Unlock
24	0.3 WH/BN	Dome Lamp Output

BDC-J3



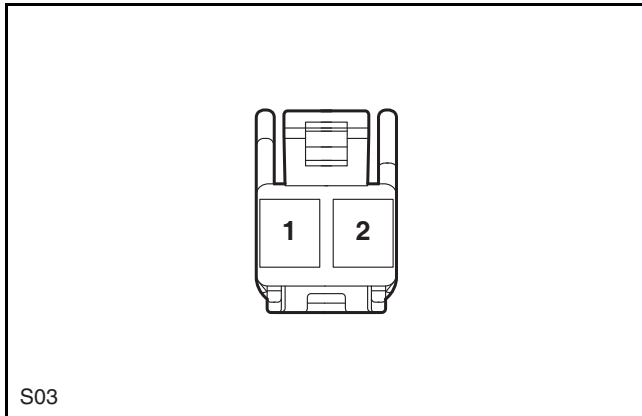
S02 Wiring Harness Connector Pin Definition

Pin No.	Wire Diameter/Color	Function
1	0.5 RD/GN	Front Position Lamp and License Plate Lamp Output
2	-	-
3	-	-
4	0.3 WH/RD	Collision Input
5	0.3 GN/BK	Central Lock Switch
6	-	-
7	0.3 GN/YE	Central Unlock Switch
8	-	-
9	-	-
10	0.3 WH/YE	Right Rear Dome Lamp Switch (Input)
11	-	-
12	-	-
13	0.3 GN/BU	Luggage Compartment Status
14	0.3 WH	Left Rear Door Status
15	0.3 WH/BK	Left Front Door Status
16	0.3 RD/WH	Right Rear Door Status
17	-	-
18	0.5 BU	Rear Wiper Stop Signal
19	0.3 BN	Wireless Charging Enable
20	0.3 GN/RD	Left Rear Dome Lamp Output/Rear Dome Lamp Output
21	0.3 BU/WH	Right Rear Dome Lamp Output

Pin No.	Wire Diameter/Color	Function
22	0.5 BN/WH	Right Door Low Frequency Antenna +
23	0.5 BN/BK	Rear Low Frequency Antenna +
24	0.5 BU/GN	Front Low Frequency Antenna -/Immo
25	0.5 PK/BU	Front Low Frequency Antenna +/Immo
26	-	-
27	-	-
28	0.3 WH/BN	Drive Mode 1 (AD)
29	0.3 BU/RD	Rearview Mirror Folding Switch
30	-	-
31	-	-
32	0.3 PK	LIN3: Rain Sensor, Battery Sensor
33	0.3 OG	Luggage Compartment Door Release Switch
34	-	-
35	0.3 YE	Left Front Door Handle Switch/Left Front Door Unlock Switch
36	-	-
37	0.3 GN/BU	Left Rear Dome Lamp Switch (Input)
38	0.3 RD/BK	Left Front Lock Status
39	-	-
40	0.3 WH/RD	Right Front Door Status
41	0.3 BN/BU	Door Handle Signal Grounding
42	-	-
43	-	-
44	-	-
45	-	-
46	-	-
47	0.5 BU	Left Door Low Frequency Antenna -
48	0.5 BN	Left Door Low Frequency Antenna +
49	0.5 BU/WH	Right Door Low Frequency Antenna -
50	0.5 BU/BK	Rear Low Frequency Antenna -
51	-	-
52	-	-

Pin No.	Wire Diameter/Color	Function
53	0.5 BN/RD	Rear Position Lamp I (Left, Right)
54	0.3 VT	Lock Indicator
55	0.3 BU	SCANx Terminal Resistance H
56	0.3 BU/YE	SCANx Terminal Resistance L
57	0.3 GN	LIN2: Window Controller, Sunroof Controller etc.
58	0.3 GY	LIN1: RFR (Radio Frequency Receiving Module)
59	-	-
60	-	-
61	-	-
62	-	-
63	0.3 GN/BK	CAN_L
64	0.3 GN	CAN_H
65	0.5 GN/BK	Right Turn Lamp
66	0.5 GN/BN	Left Rear Fog Lamp Output
67	0.5 RD/BK	Luggage Compartment Lamp

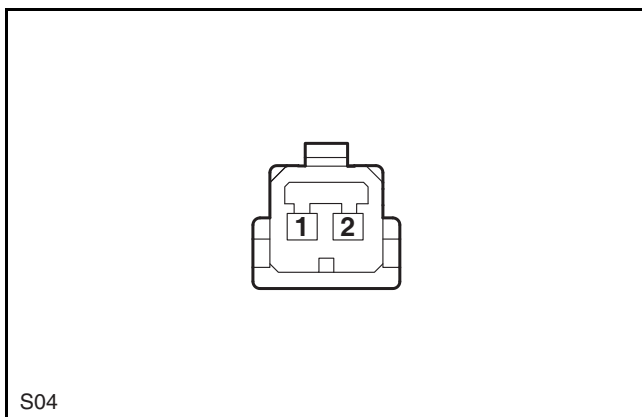
Front Passenger Seat Belt Switch



S03 Wiring Harness Connector Pin Definition

Pin No.	Wire Diameter/Color	Function
1	0.35 RD/GN	Front Passenger Seat Belt Switch Power Supply
2	0.35 WH/RD	Front Passenger Seat Belt Switch Grounding

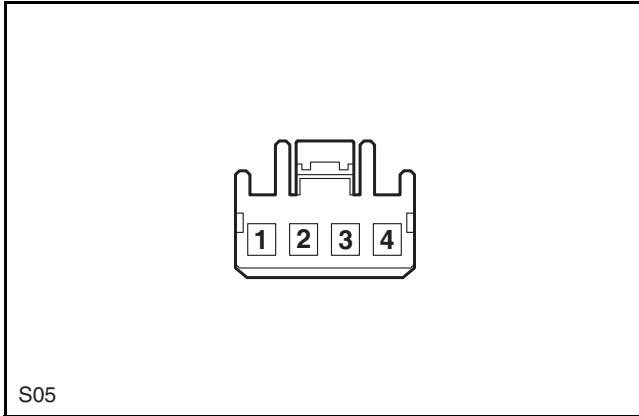
Front Passenger Seat Sensor



S04 Wiring Harness Connector Pin Definition

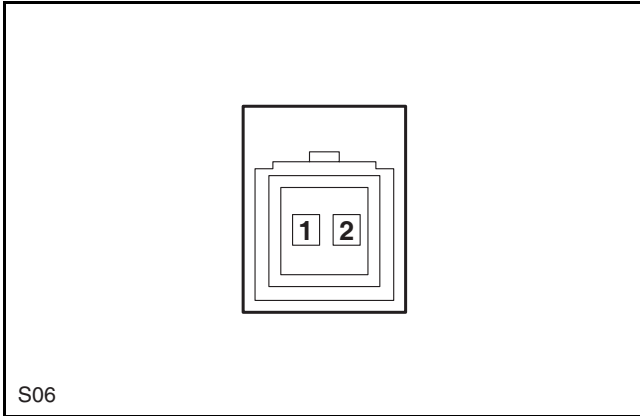
Pin No.	Wire Diameter/Color	Function
1	0.3 WH/GN	Front Passenger Seat Sensor Grounding
2	0.3 RD/WH	Front Passenger Seat Sensor Power Supply

Front Passenger Seat Heater Module

**S05 Wiring Harness Connector Pin Definition**

Pin No.	Wire Diameter/Color	Function
1	0.5 BK	Grounding
2	0.5 BU/WH	NTC Grounding
3	0.5 RD/GN	R_NTC
4	0.5/BU/GN	R_HEAT_OUT

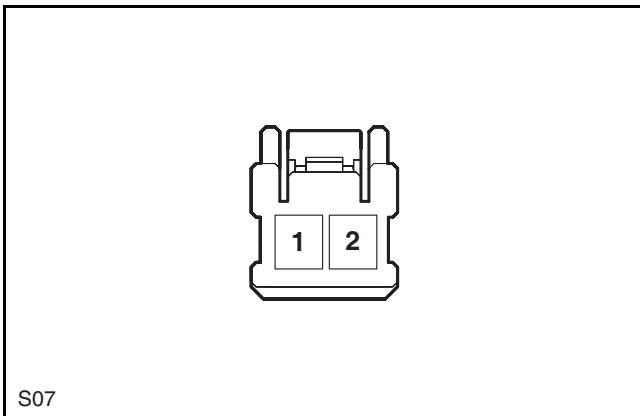
Front Passenger Side Airbag



S06 Wiring Harness Connector Pin Definition

Pin No.	Wire Diameter/Color	Function
1	0.5 RD/GN	Passenger Side Airbag Positive
2	0.5 WH/RD	Passenger Side Airbag Negative

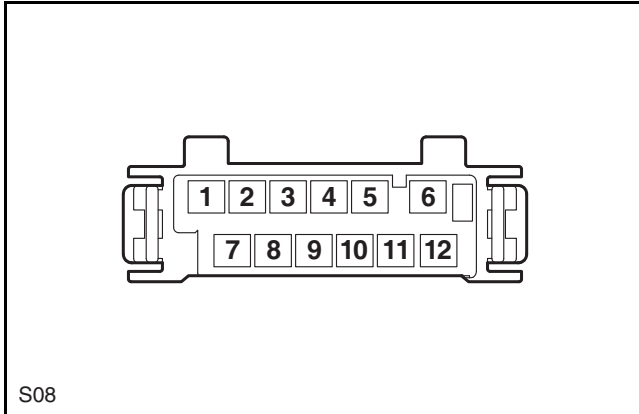
Front Passenger Power Seat



S07 Wiring Harness Connector Pin Definition

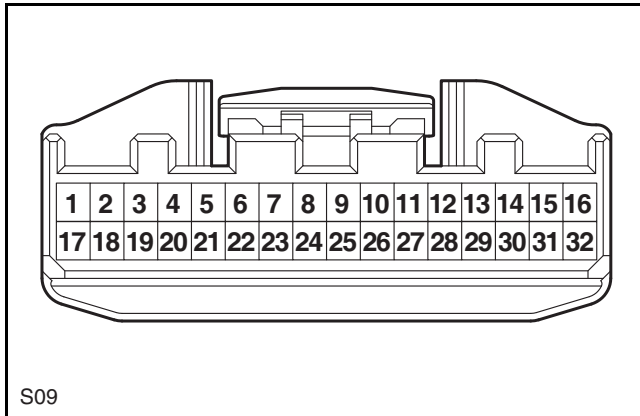
Pin No.	Wire Diameter/Color	Function
1	2.5 BK	Front Passenger Power Seat Grounding
2	2.5 BU/BK	Front Passenger Power Seat Power Supply

Window Anti-pinch Controller A

**S08 Wiring Harness Connector Pin Definition**

Pin No.	Wire Diameter/Color	Function
1	2.0 YE/VT	Constant Power Supply
2	2.0 YE	Constant Power Supply
3	2.0 BK	Grounding
4	2.0 BK	Grounding
5	2.0 BM/YE	Right Rear Down
6	2.0 BN	Right Rear Up
7	2.0 WH	Left Front Up
8	2.0 RD/GN	Left Front Down
9	2.0 BU	Right Front Up
10	2.0 BU/BK	Right Front Down
11	2.0 GN	Left Rear Up
12	2.0 GN/BK	Left Rear Down

Window Anti-pinch Controller B

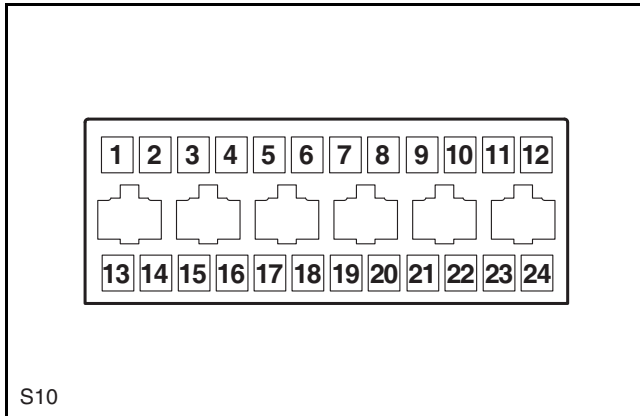


S09 Wiring Harness Connector Pin Definition

Pin No.	Wire Diameter/Color	Function
1	0.5 BK/RD	Constant Power Supply
2	0.5 BK/WH	Grounding
3	-	-
4	0.3 WH/GN	Cab Left Front Up/Down Input
5	-	-
6	0.3 WH/VT	Cab Right Front Up/Down Input
7	0.3 WH/BK	Right Front Window Down Input
8	0.3 WH/BN	Driver Side Window Left Rear Up/Down Input
9	0.3 PK	Left Rear Window Down Input
10	0.3 WH/RD	Driver Side Window Right Rear Up/Down Input
11	0.3 BN/BU	Right Rear Window Down Input
12	0.3 PK/BN	Passenger Inhibiting Input
13	0.3 BU/YE	Right Front Window Up Input
14	-	-
15	0.3 GN/BK	CAN_L
16	0.3 GB	CAN_H
17	0.3 OG/BK	Right Front Window Auto Input
18	-	-
19	0.5 OG/GN	IGN Signal Input
20	0.3 OG/BU	Left Rear Window Auto Input
21	0.3 GN/OG	Right Rear Window Auto Input

Pin No.	Wire Diameter/Color	Function
22	0.3 RD/WH	Passenger Inhibiting Indicator Output
23	0.3 PK/WH	Left Rear Window Up Input
24	0.3 BN	Right Rear Window Up Input

Airbag Control Unit B

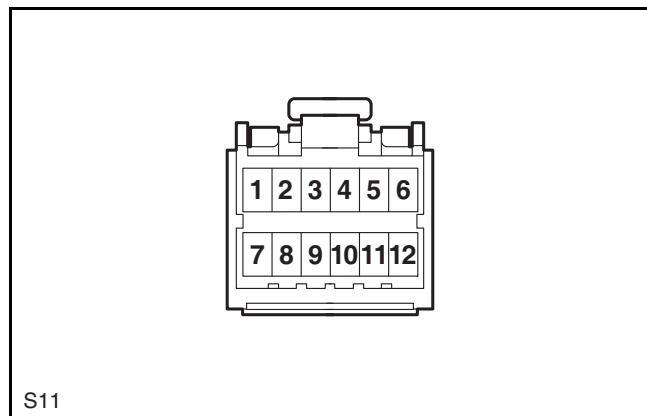


S10 Wiring Harness Connector Pin Definition

Pin No.	Wire Diameter/Color	Function
1	-	-
2	-	-
3	-	-
4	-	-
5	-	-
6	-	-
7	-	-
8	-	-
9	0.5 WH/RD	Passenger Peripheral Acceleration Sensor Positive
10	0.5 PK/GN	Passenger Peripheral Acceleration Sensor Negative
11	0.5 BN/GN	Driver Peripheral Acceleration Sensor Negative
12	0.5 VT/OG	Driver Peripheral Acceleration Sensor Positive
13	-	-
14	-	-
15	-	-
16	-	-
17	0.5 WH/RD	Passenger Side Airbag Negative
18	0.5 RD/GN	Passenger Side Airbag Positive
19	0.5 VT/GN	Driver Side Airbag Positive
20	0.5 PK/BU	Driver Side Airbag Negative
21	0.5 VT/GN	Passenger Curtain Shield Airbag Negative

Pin No.	Wire Diameter/Color	Function
22	0.5 GY/BU	Passenger Curtain Shield Airbag Positive
23	0.5 GY	Driver Curtain Shield Airbag Positive
24	0.5 YE/BK	Driver Curtain Shield Airbag Negative

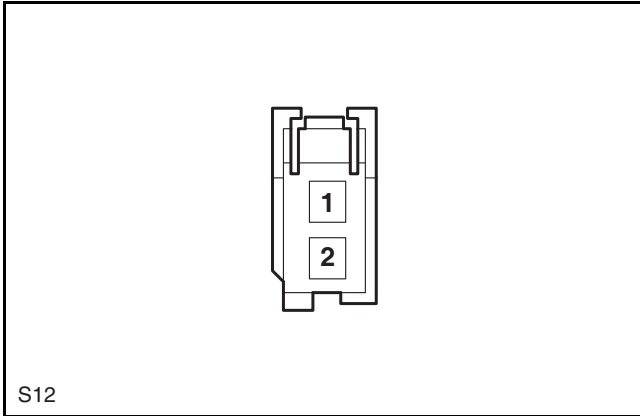
Rear Seat Heater Switch



S11 Wiring Harness Connector Pin Definition

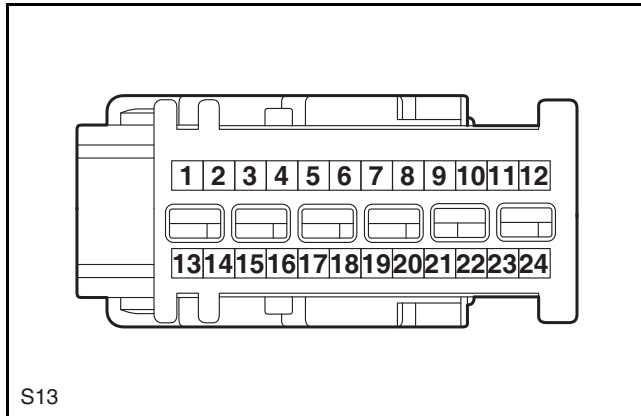
Pin No.	Wire Diameter/Color	Function
1	0.5 YE	Heater Switch Signal
2	0.5 WH	Heater Switch Signal
3	0.5 GY	9. Right Heater Low Gear Indicator Signal
4	0.5 VT	10. Right Heater High Gear Indicator Signal
5	0.5 RD/YE	Background Lamp
6	0.5 BK	Grounding
7	0.5 BK	Signal Grounding
8	-	-
9	-	-
10	0.5 RD/GB	Heater High Gear Indicator Signal
11	0.5 BU	Left Heater Low Gear Indicator Signal
12	0.5 WH/BK	Power Supply

Rear USB Interface

**S12 Wiring Harness Connector Pin Definition**

Pin No.	Wire Diameter/Color	Function
1	0.5 BK	Grounding
2	0.5 RD/WH	Power Supply

Airbag Control Unit A



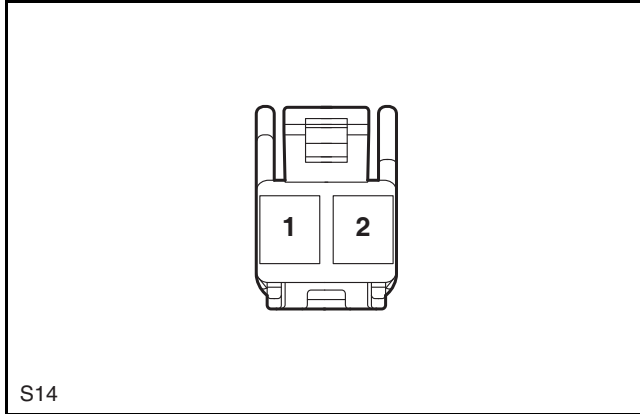
S13

S13 Wiring Harness Connector Pin Definition

Pin No.	Wire Diameter/Color	Function
1	0.5 YE/BK	IG Power Supply
2	0.3 WH/RD	Collision Output
3	0.3 BK/YE	Passenger Seat Belt Buckle
4	-	-
5	-	-
6	0.3 WH/GN	Analog Grounding
7	0.5 VT/OG	Driver Front Sensor Negative
8	0.5 GN/YE	Driver Front Sensor Positive
9	0.5 GN/WH	Passenger Front Sensor Positive
10	0.5 GN/VT	Passenger Front Sensor Negative
11	0.3 LG/BK	CAN_L
12	0.3 LG	CAN_H
13	0.3 VT	Driver Seat Belt Buckle
14	-	-
15	0.5 BK	Grounding
16	-	-
17	-	-
18	-	-
19	-	-
20	-	-
21	0.5 GN	Front Passenger Frontal Airbag Negative

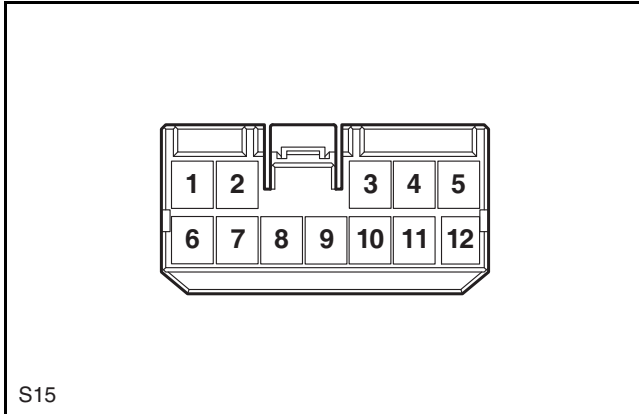
Pin No.	Wire Diameter/Color	Function
22	0.5 OG	Front Passenger Frontal Airbag Positive
23	0.5 RD/BU	Driver Frontal Airbag Positive
24	0.5 VT/GN	Driver Frontal Airbag Negative

Seat Belt Switch (Driver)

**S14 Wiring Harness Connector Pin Definition**

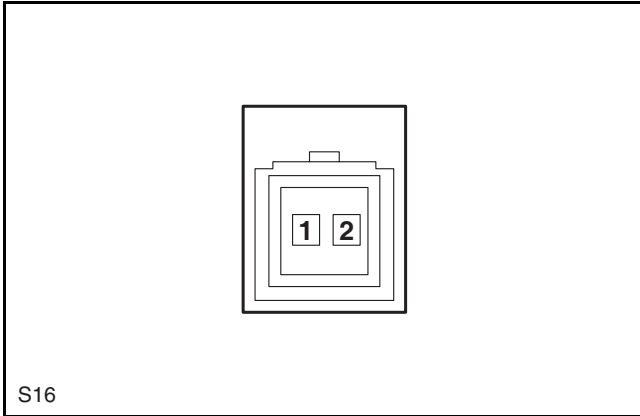
Pin No.	Wire Diameter/Color	Function
1	0.3 VT	Driver Seat Belt Buckle
2	0.3 WH/GN	Analog Grounding

Driver Electric Regulator and Front Heater Controller

**S15 Wiring Harness Connector Pin Definition**

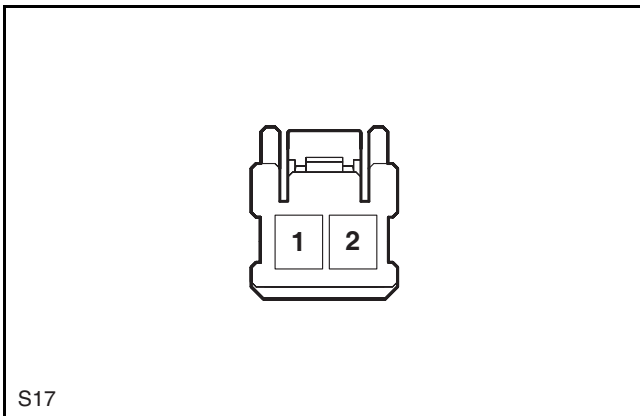
Pin No.	Wire Diameter/Color	Function
1	0.75 RD	Power Supply
2	0.5 OG/BN	IG Ignition Signal
3	0.5 BK	GND
4	0.3 GN	CAN_H
5	0.3 GN/BK	CAN_L
6	-	-
7	-	-
8	0.5 BU/WH	NTC Grounding
9	0.5 RD/GN	R_C_NTC
10	0.5 BU/GN	R_C_heat_out
11	0.5 BK	HEAT_GD

Driver Side Airbag

**S16 Wiring Harness Connector Pin Definition**

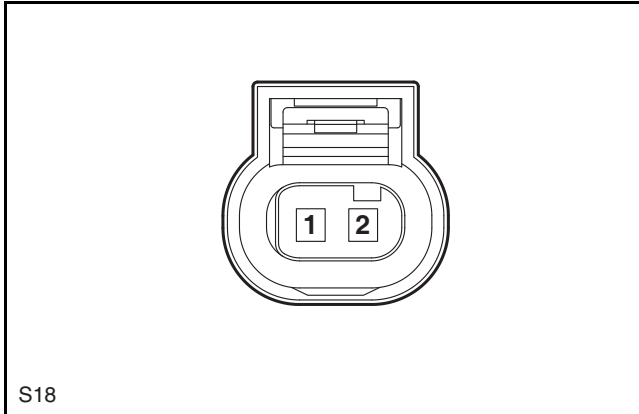
Pin No.	Wire Diameter/Color	Function
1	0.5 VT/GN	Driver Side Airbag Positive
2	0.5 PK/BU	Driver Side Airbag Negative

Driver Power Seat

**S17 Wiring Harness Connector Pin Definition**

Pin No.	Wire Diameter/Color	Function
1	2.5 BK	Power Supply
2	2.5 RD/BU	Grounding

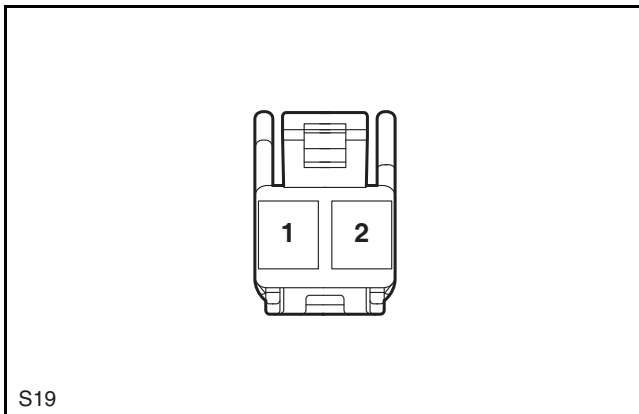
Driver Side Collision Sensor



S18 Wiring Harness Connector Pin Definition

Pin No.	Wire Diameter/Color	Function
1	0.5 BN/GN	Driver Peripheral Acceleration Sensor Negative
2	0.5 VT/OG	Driver Peripheral Acceleration Sensor Positive

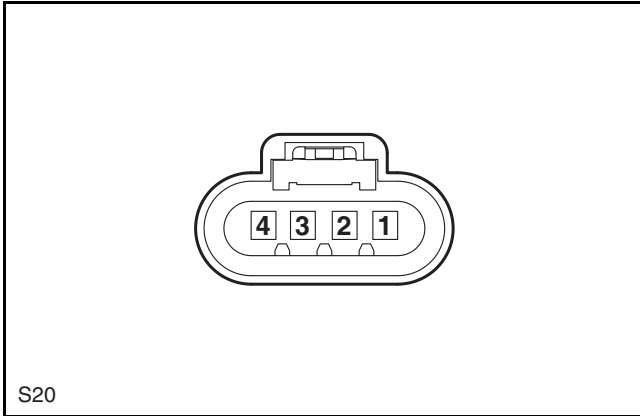
Door Contact Switch (Left Front)



S19 Wiring Harness Connector Pin Definition

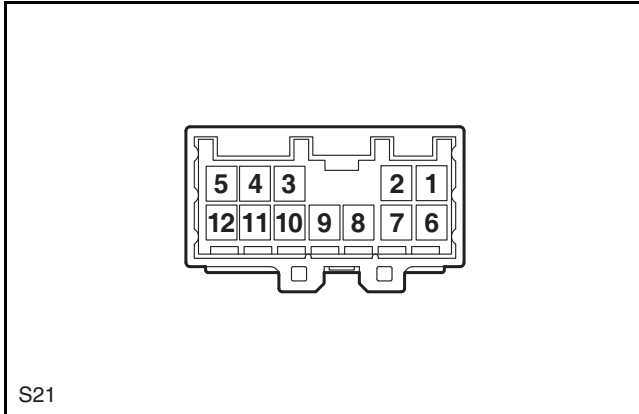
Pin No.	Wire Diameter/Color	Function
1	0.3 BK	Left Front Door Signal Status
2	0.3 WH/BK	Grounding

Fuel Pump

**S20 Wiring Harness Connector Pin Definition**

Pin No.	Wire Diameter/Color	Function
1	2.0 BU/GN	Fuel Pump Positive
2	0.3 BN/WH	Oil Amount Sensor Positive
3	0.3 YE/RD	Oil Amount Sensor Negative
4	2.0 BK	Grounding

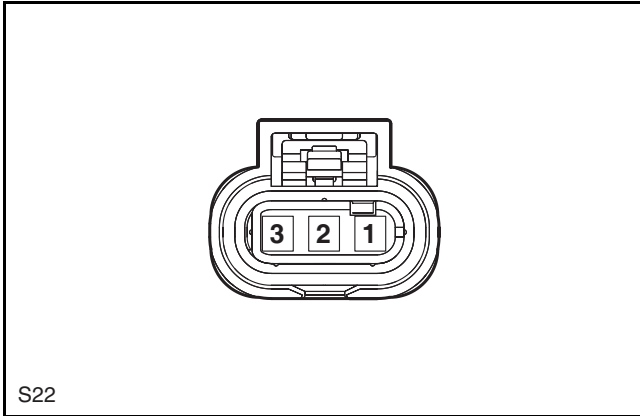
Rear Seat Heater Controller



S21 Wiring Harness Connector Pin Definition

Pin No.	Wire Diameter/Color	Function
1	0.5 PK/BK	Constant Power Supply
2	0.5 WH/BK	IG Power Supply
3	0.5 BU	Left Seat Heater Low Gear Indicator
4	0.5 RD/GN	Left Seat Heater High Gear Indicator
5	0.5 WH	Seat Heater Switch
6	0.5 BK	Heater Power Supply Negative Grounding KL31
7	-	-
8	-	-
9	-	-
10	0.5 GY	Heater Low Gear Indicator
11	0.5 VT	Heater High Gear Indicator
12	0.5 YE	Heater Switch

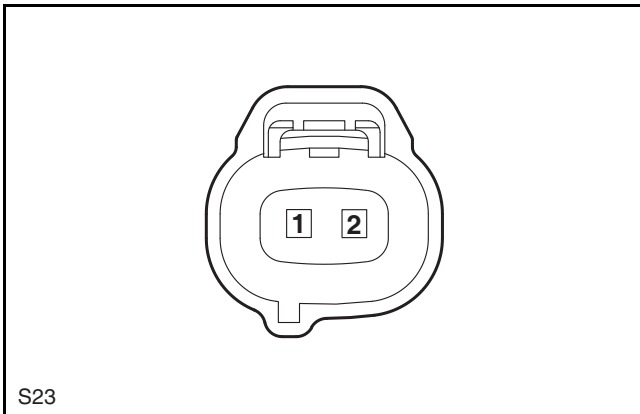
Fuel Tank Pressure Sensor



S22 Wiring Harness Connector Pin Definition

Pin No.	Wire Diameter/Color	Function
1	0.3 RD/BU	Pressure Signal Output
2	0.3 GN/YE	Grounding
3	0.3 GY/BK	Power Supply

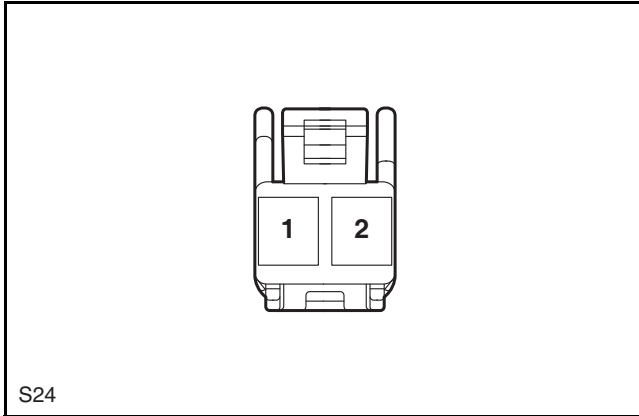
Carbon Canister Stop Valve



S23 Wiring Harness Connector Pin Definition

Pin No.	Wire Diameter/Color	Function
1	0.5 GN/BU	Power Supply
2	0.5 WH/GN	Carbon Canister Stop Valve Signal

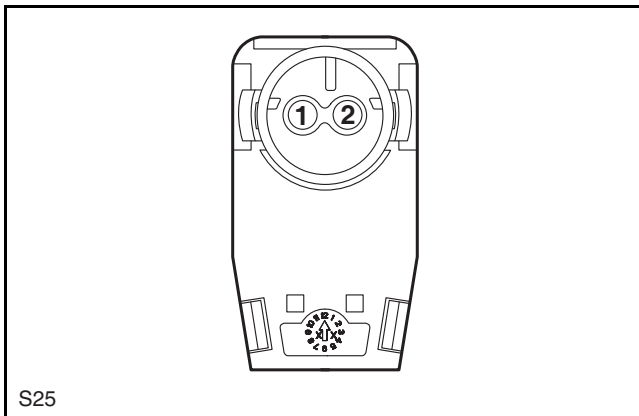
Door Contact Switch (Left Rear)



S24 Wiring Harness Connector Pin Definition

Pin No.	Wire Diameter/Color	Function
1	0.35 BK	Left Rear Door Contact Switch Signal Grounding
2	0.35 GN/BU	Left Rear Door Contact Switch Signal Power Supply

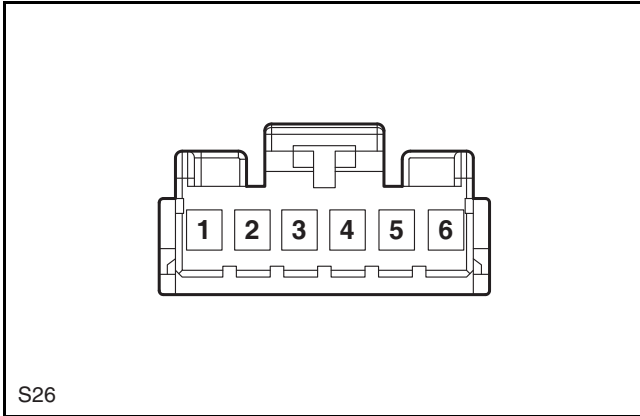
Left Curtain Shield Airbag



S25 Wiring Harness Connector Pin Definition

Pin No.	Wire Diameter/Color	Function
1	0.5 GY	Driver Curtain Shield Airbag Positive
2	0.5 YE/BK	Driver Curtain Shield Airbag Negative

Radio Frequency Receiver

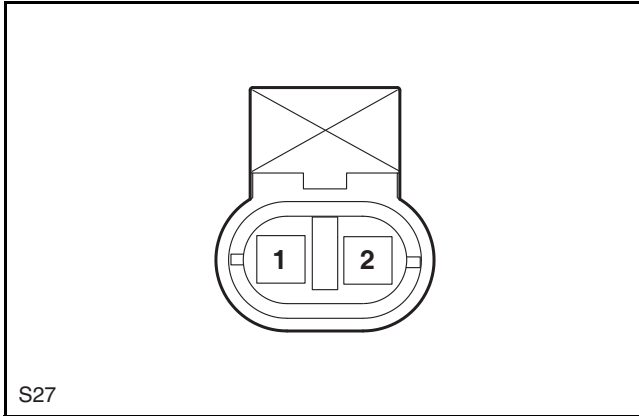


S26

S26 Wiring Harness Connector Pin Definition

Pin No.	Wire Diameter/Color	Function
1	-	-
2	0.3 GY	LIN1 Bus
3	-	-
4	0.3 BK	Grounding
5	-	-
6	0.3 RD	Power Supply
12	-	-
13	-	-
14	-	-

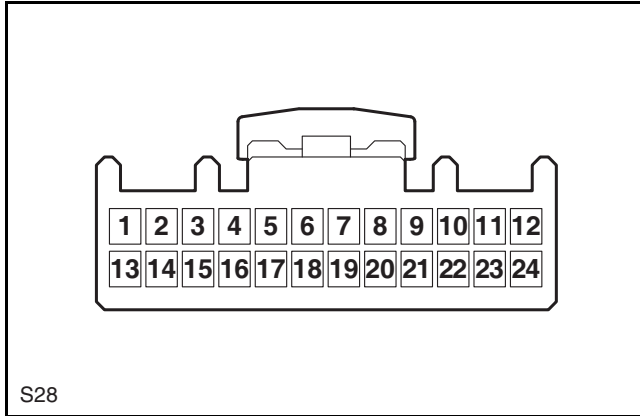
Luggage Compartment Lamp



S27 Wiring Harness Connector Pin Definition

Pin No.	Wire Diameter/Color	Function
1	0.5 RD/BK	Luggage Compartment Lamp Power Supply
2	0.3 BK	Luggage Compartment Lamp Grounding

Reversing Radar Controller

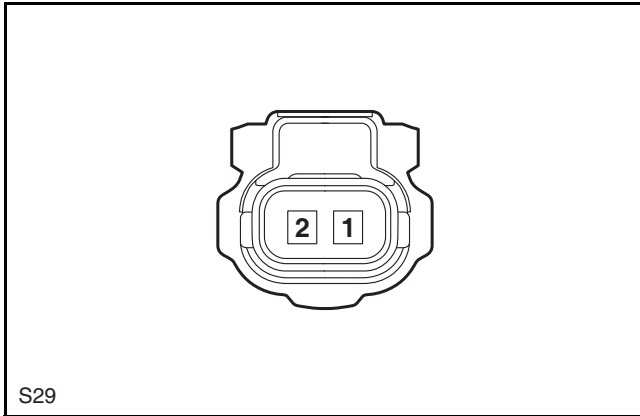


S28 Wiring Harness Connector Pin Definition

Pin No.	Wire Diameter/Color	Function
1	-	-
2	-	-
3	-	-
4	-	-
5	0.3 PK	CAN_H
6	0.3 PK/BK	CAN_L
7	-	-
8	-	-
9	0.3 GN/YE	Rear Center Right Sensor
10	0.3 GN	Rear Outside Right Sensor
11	-	-
12	0.3 OG/BU	Ignition Power Supply
13	-	-
14	0.3 WH	Rear Sensor Grounding
15	0.5 BK	Grounding
16	-	-
17	-	-
18	-	-
19	-	-
20	-	-
21	-	-

Pin No.	Wire Diameter/Color	Function
22	0.3 GN/BU	Rear Outside Left Sensor
23	0.3 WH/RD	Rear Sensor Power Supply

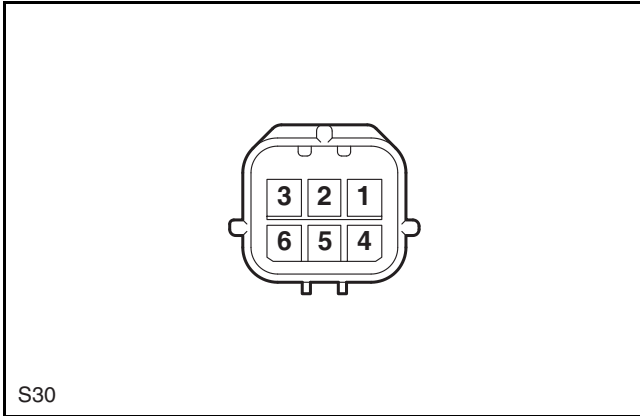
Inside Rear Antenna



S29 Wiring Harness Connector Pin Definition

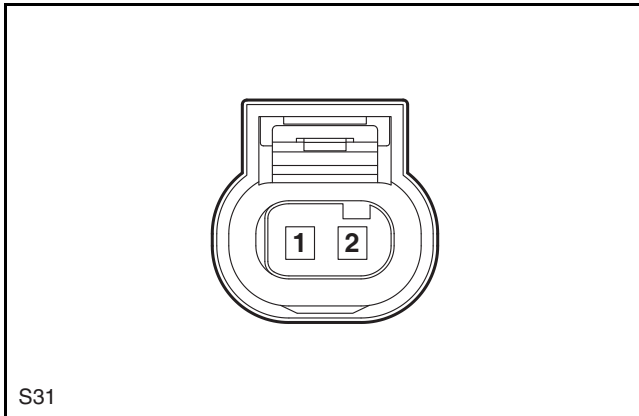
Pin No.	Wire Diameter/Color	Function
1	0.5 BN/BK	Inside Rear Antenna +
2	0.5 BU/BK	Inside Rear Antenna -

Left Rear Combination Lamp I

**S30 Wiring Harness Connector Pin Definition**

Pin No.	Wire Diameter/Color	Function
1	-	-
2	0.5 BN/RD	Power Supply
3	0.5 GN/RD	Left Rear Turn Lamp
4	0.5 BK	Grounding
5	-	-
6	-	-

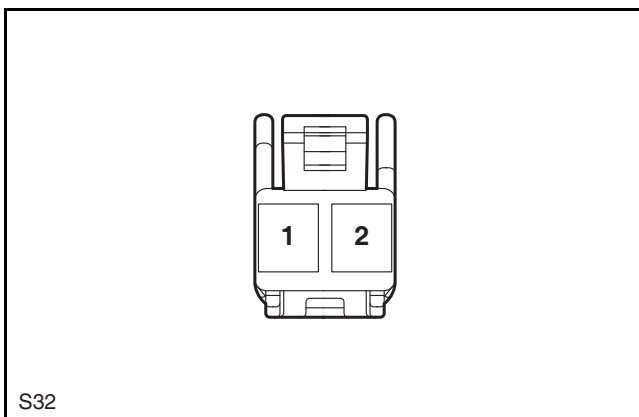
Front Passenger Side Collision Sensor



S31 Wiring Harness Connector Pin Definition

Pin No.	Wire Diameter/Color	Function
1	0.5 PK/GN	Passenger Peripheral Acceleration Sensor Positive
2	0.5 WH/RD	Passenger Peripheral Acceleration Sensor Negative

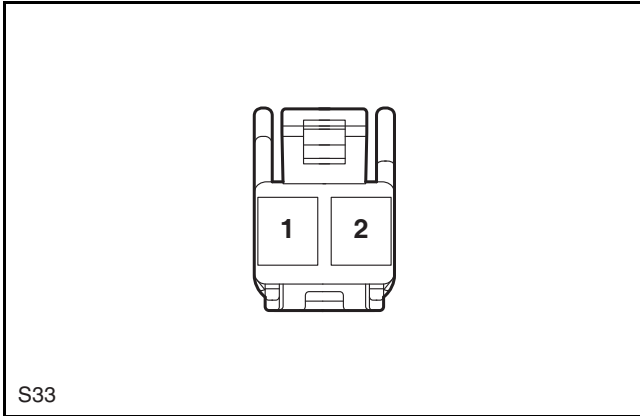
Right Front Door Contact Switch



S32 Wiring Harness Connector Pin Definition

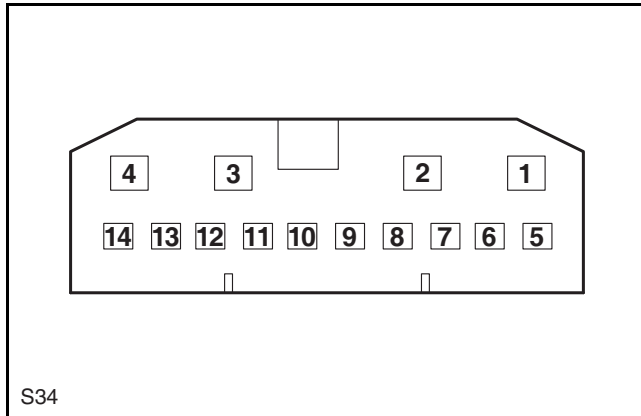
Pin No.	Wire Diameter/Color	Function
1	0.3 BK	Right Front Door Contact Switch Grounding
2	0.3 WH/RD	Right Front Door Contact Switch Status

Right Rear Door Contact Switch

**S33 Wiring Harness Connector Pin Definition**

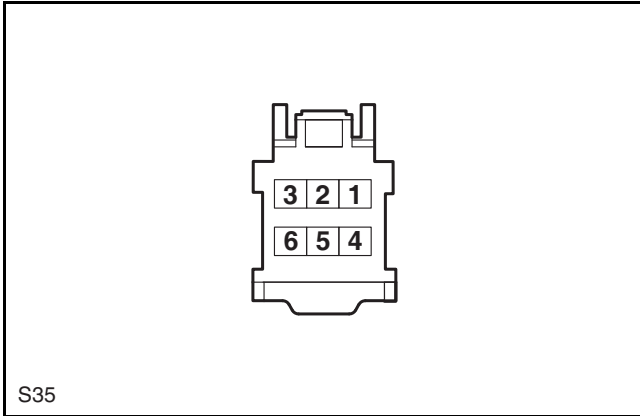
Pin No.	Wire Diameter/Color	Function
1	0.3 BK	Left Rear Door Contact Switch Grounding
2	0.3 RD/WH	Left Rear Door Contact Switch Status

Back Door Controller 3

**S34 Wiring Harness Connector Pin Definition**

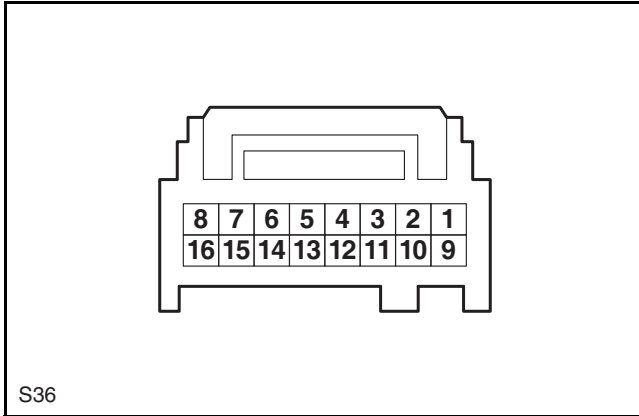
Pin No.	Wire Diameter/Color	Function
1	2.0 RD/WH	Stay Bar Door Close Signal
2	2.0 RD/BK	Stay Bar Door Open Signal
3	-	-
4	-	-
5	-	-
6	-	-
7	-	-
8	0.3 GN	Hall Power Supply
9	-	-
11	0.3 OG	Hall Grounding
12	-	-
13	0.3 YE/GN	Buzzer Drive Power Supply
14	0.3 BK/YE	Buzzer Grounding

Back Door Controller 2

**S35 Wiring Harness Connector Pin Definition**

Pin No.	Wire Diameter/Color	Function
1	0.75 GY	Lock Self-engagement
2	0.75 PK	Lock Unlocking
3	2.5 RD	Power Supply
4	0.5 BK/RD	Power Supply
5	-	-
6	3.0 BK	Grounding

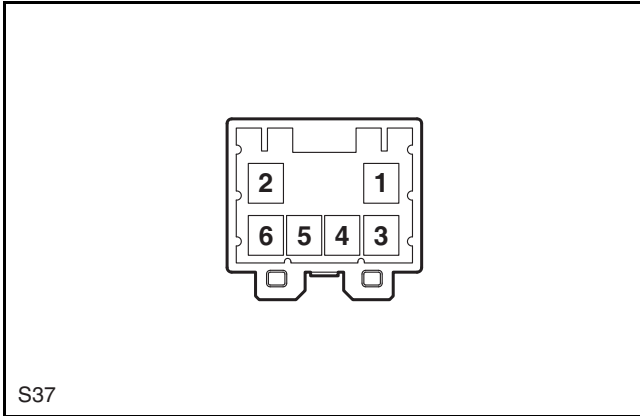
Back Door Controller 1



S36 Wiring Harness Connector Pin Definition

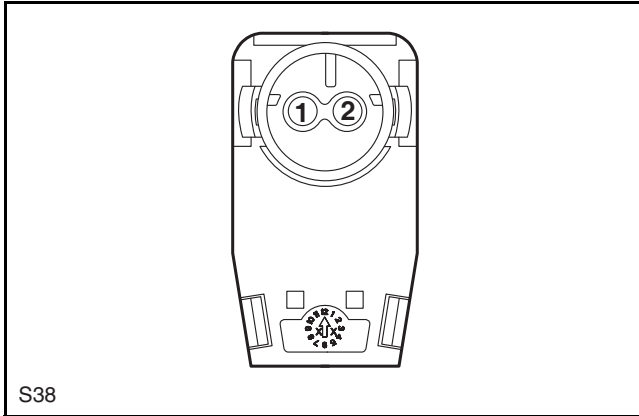
Pin No.	Wire Diameter/Color	Function
1	-	-
2	-	-
3	0.3 RD/WH	Back Door Close Switch Signal
4	-	-
5	0.3 GN	Half Lock Position
6	0.3 RD/BK	Full Lock Position
7	0.3 GN/BK	CAN_L
8	-	-
9	-	-
10	-	-
11	-	-
12	0.3 RD/BU	Drive Side Switch
13	-	-
14	0.3 BU	Reset
15	0.3 GN	CAN_H
16	0.3 BK/WH	Signal Grounding

Left Electric Stay Bar

**S37 Wiring Harness Connector Pin Definition**

Pin No.	Wire Diameter/Color	Function
1	2.0 RD/WH	Door Close Control Signal
2	2.0 RD/BK	Door Open Control Signal
3	0.3 GN	Hall Power Supply
4	0.3 BU	Hall Signal 1
5	0.3 OG	Hall Signal 2
6	0.3 WH	Hall Grounding

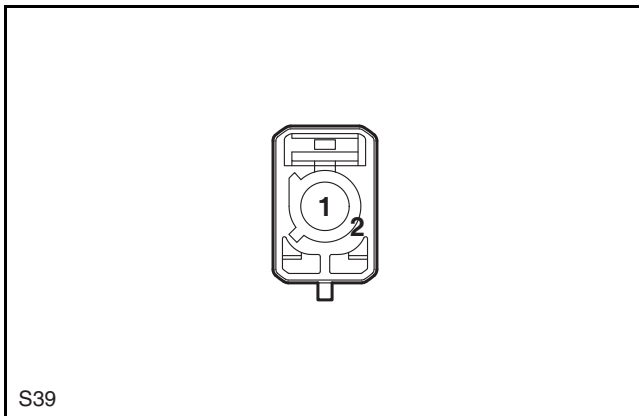
Right Curtain Shield Airbag



S38 Wiring Harness Connector Pin Definition

Pin No.	Wire Diameter/Color	Function
1	0.5 GY/BU	Passenger Curtain Shield Airbag Positive
2	0.5 VT/GN	Passenger Curtain Shield Airbag Negative

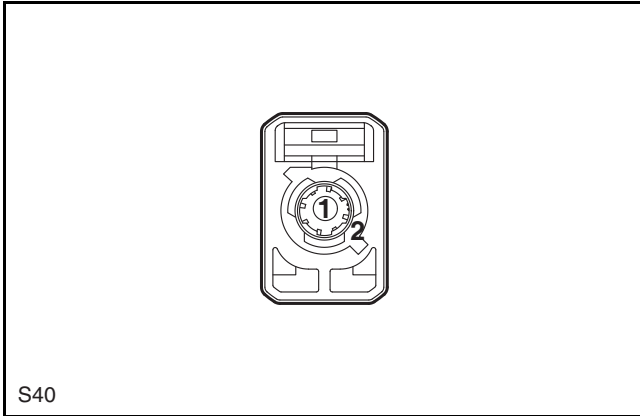
Radio/DVD



S39 Wiring Harness Connector Pin Definition

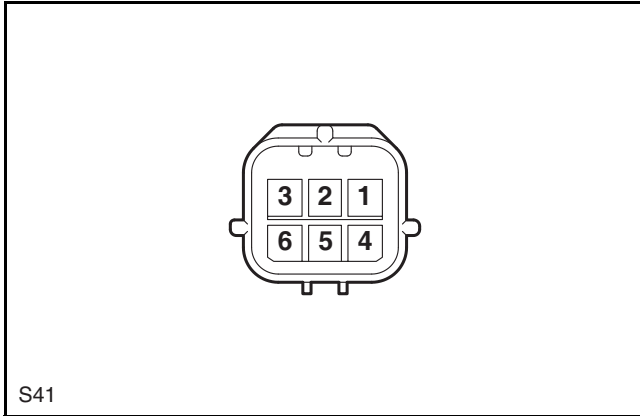
Pin No.	Wire Diameter/Color	Function
1	0.5 WH	Radio Signal, Axis Power Supply +
2	0.3 BK	Radio Signal Grounding

GPS Antenna

**S40 Wiring Harness Connector Pin Definition**

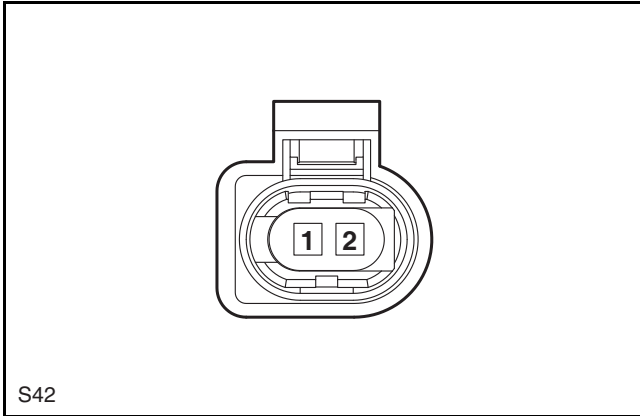
Pin No.	Wire Diameter/Color	Function
1	0.5 WH	GPS Antenna +
2	0.3 BK	GPS Antenna -

Right Rear Combination Lamp I

**S41 Wiring Harness Connector Pin Definition**

Pin No.	Wire Diameter/Color	Function
1	-	-
2	0.5 BN/RD	Right Rear Position Lamp
3	0.5 GN/BK	Right Rear Turn Lamp
4	0.5 BK	Grounding
5	-	-
6	-	-

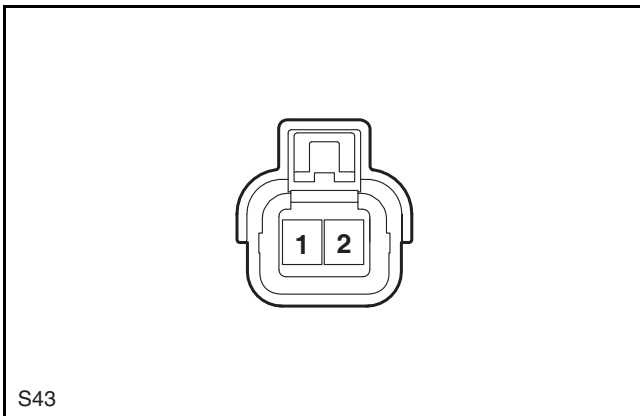
Electronic Parking Brake (Left)



S42 Wiring Harness Connector Pin Definition

Pin No.	Wire Diameter/Color	Function
1	2.5 BK	Motor Negative
2	2.5 RD	Motor Positive

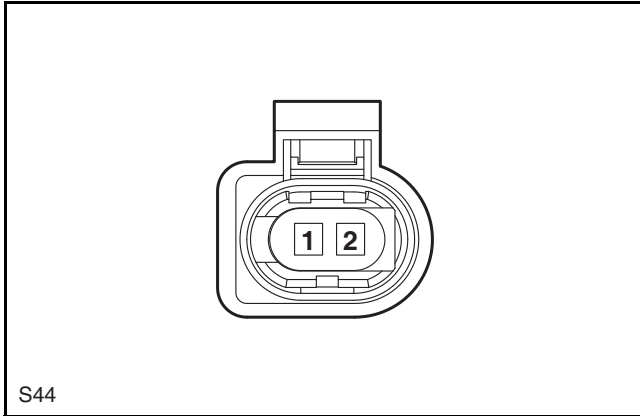
Left Rear Wheel Speed Sensor



S43 Wiring Harness Connector Pin Definition

Pin No.	Wire Diameter/Color	Function
1	0.5 YE	Left Rear Wheel Speed Sensor -
2	0.5 GN	Left Rear Wheel Speed Sensor +

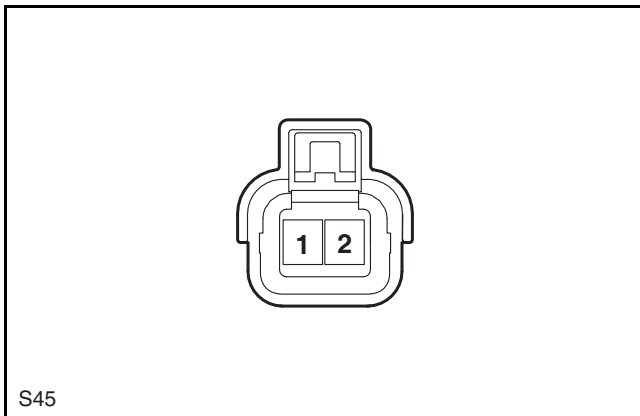
Electronic Parking Brake (Right)



S44 Wiring Harness Connector Pin Definition

Pin No.	Wire Diameter/Color	Function
1	2.5 BK	Motor Negative
2	2.5 RD	Motor Positive

Right Rear Wheel Speed Sensor

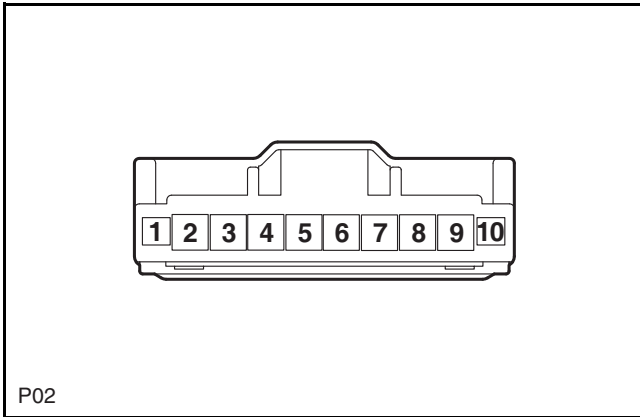


S45 Wiring Harness Connector Pin Definition

Pin No.	Wire Diameter/Color	Function
1	0.5 YE	Right Rear Wheel Speed Sensor -
2	0.5 GN	Right Rear Wheel Speed Sensor +

Instrument Panel Wiring Harness Connector (P--)

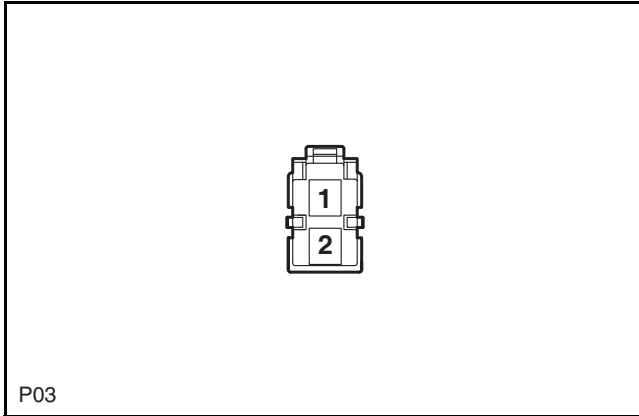
EPS Signal



P02 Wiring Harness Connector Pin Definition

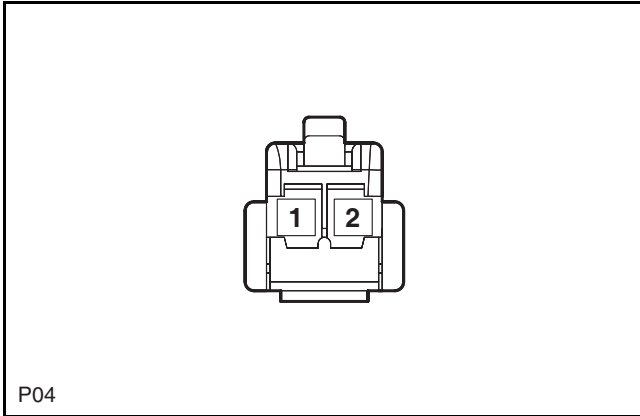
Pin No.	Wire Diameter/Color	Function
1	0.5 YE/VT	IG1 Power Supply
2	-	-
3	-	-
4	-	-
5	-	-
6	0.3 VT/WH	EPS CAN-L
7	0.3 VT	EPS CAN-H
8	-	-
9	-	-
10	-	-

EPS Power Supply

**P03 Wiring Harness Connector Pin Definition**

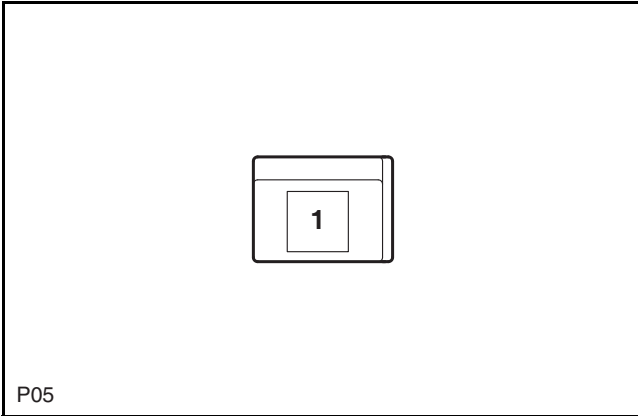
Pin No.	Wire Diameter/Color	Function
1	8.0 RD	EPS Power Supply
2	8.0 BK	EPS Grounding

Tweeter - Left Front

**P04 Wiring Harness Connector Pin Definition**

Pin No.	Wire Diameter/Color	Function
1	0.5 VT/YE	Positive
2	0.5 WH/BK	Negative

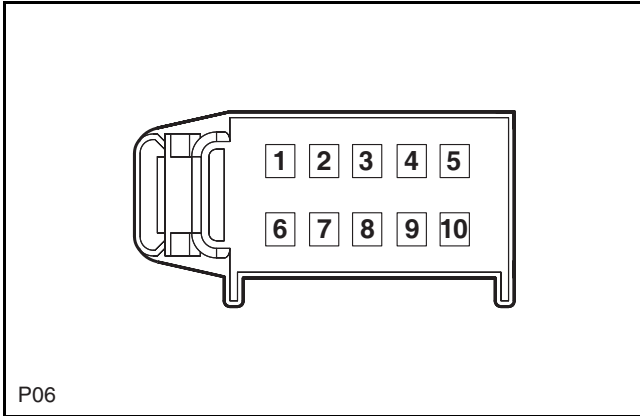
Front Windshield Heater - Left Positive



P05 Wiring Harness Connector Pin Definition

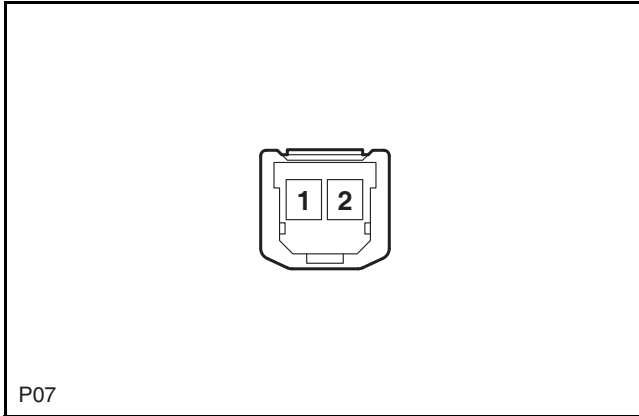
Pin No.	Wire Diameter/Color	Function
1	2.5 BU	Power Supply

Combination Switch - Light

**P06 Wiring Harness Connector Pin Definition**

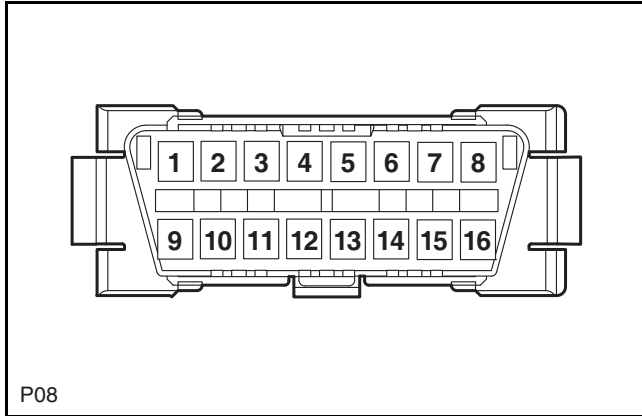
Pin No.	Wire Diameter/Color	Function
1	-	-
2	0.3 OG/BK	Rear Fog Lamp Switch
3	0.3 PK/WH	High Beam
4	0.3 WH/GN	Overtaking Lamp
5	0.3 BN	Right Turn Lamp Switch
6	0.3 PK/BU	Position Lamp Switch
7	0.3 BK	Grounding
8	0.3 BU/WH	AUTO Switch
9	0.3 GN/OG	Low Beam Switch
10	0.3 VT/WH	Left Turn Lamp Switch

Emergency Alarm Speaker

**P07 Wiring Harness Connector Pin Definition**

Pin No.	Wire Diameter/Color	Function
1	0.5 VT	Speaker +
2	0.5 WH	Speaker -

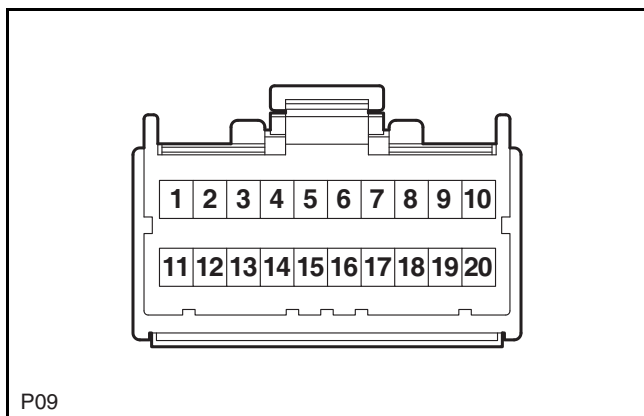
Data Link Connector



P08 Wiring Harness Connector Pin Definition

Pin No.	Wire Diameter/Color	Function
1	-	-
2	-	-
3	-	-
4	0.5 BK	Grounding
5	0.5 BK	Grounding
6	0.3 YE	Diagnosis CANH
7	-	-
8	-	-
9	0.3 LG	TBOX CAN-H
10	0.3 LG/BK	TBOX CAN-L
11	-	-
12	-	-
13	-	-
14	0.3 YE/BK	Diagnosis CANL
15	-	-
16	0.5 WH/YE	Constant Power Supply

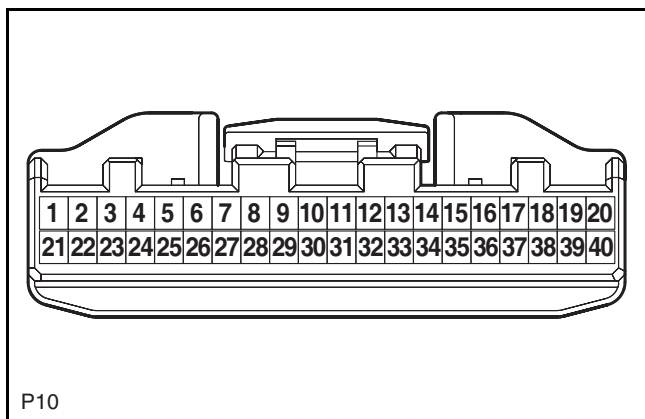
Instrument Panel Switch Box



P09 Wiring Harness Connector Pin Definition

Pin No.	Wire Diameter/Color	Function
1	-	-
2	-	-
3	-	-
4	0.3 RD/BU	Back Door Switch Signal
5	-	-
6	0.35 BK	Back Door Switch Grounding
7	0.35 BK	Backlight Grounding
8	0.3 RD/YE	Backlight Power Supply
9	0.3 LG/RD	Right Rearview Mirror Up-Down Adjustment
10	0.3 BK/WH	Left Rearview Mirror Up-Down Adjustment
11	0.3 BU/RD	Folding Control Signal
12	0.3 YE/GN	Rearview Mirror Adjustment Switch Common End
13	0.3 RD	Motor Power Supply Positive
14	0.3 BK	Switch Grounding
15	-	-
16	0.5 GY/BU	Headlamp Leveling Power Supply
17	0.3 GN/VT	Headlamp Leveling Switch Output
18	0.3 BK	Headlamp Leveling Grounding
19	0.3 BU/BK	Right Rearview Mirror Left-Right Adjustment
20	0.3 BU	Left Rearview Mirror Left-Right Adjustment

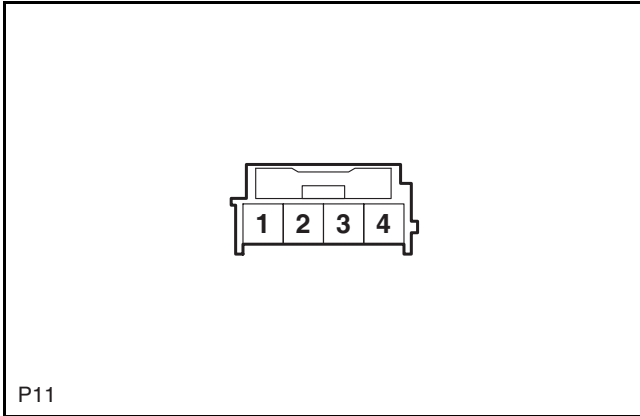
SOS-TCU Telematics Control System (TBOX)

**P10 Wiring Harness Connector Pin Definition**

Pin No.	Wire Diameter/Color	Function
1	0.5 PK/GN	Power Supply + (12V)
2	0.5 GY/BU	ACC
3	0.3 WH/BU	Mute -
4	-	-
5	-	-
6	0.3 LG	CAN_H
7	0.3 LG/BK	CAN_L
8	-	-
9	-	-
10	-	-
11	-	-
12	-	-
13	-	-
14	0.5 VT	Speaker +
15	0.5 WH	Speaker -
16	0.3 BK/YE	Speaker +
17	0.3 RD/WH	Speaker -
18	-	-
19	-	-
20	-	-
21	-	-

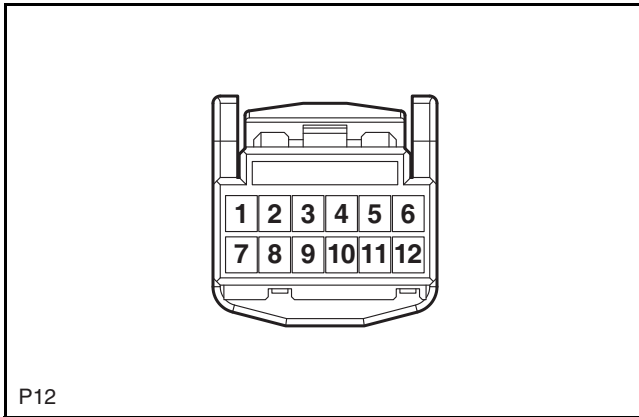
Pin No.	Wire Diameter/Color	Function
22	-	-
23	-	-
24	-	-
25	-	-
26	-	-
27	-	-
28	0.5 BK	Grounding
29	-	-
30	-	-
31	-	-
32	-	-
33	-	-
34	-	-
35	-	-
36	-	-
37	-	-
38	-	-
39	-	-
40	-	-

Rotary Connector (Driver Airbag)

**P11 Wiring Harness Connector Pin Definition**

Pin No.	Wire Diameter/Color	Function
1	-	-
2	-	-
3	0.5 VT/GN	Airbag Circuit 2
4	0.5 RD/BU	Airbag Circuit 1

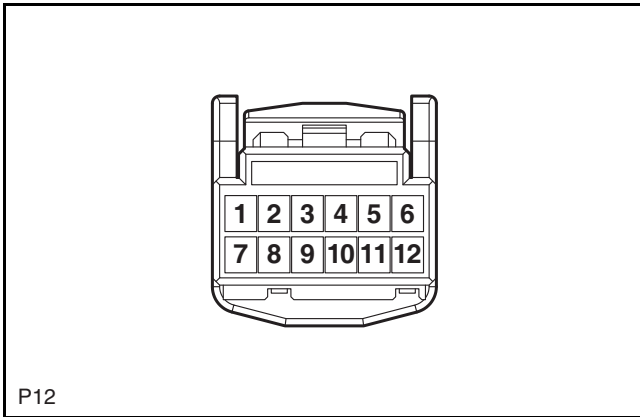
Rotary Connector (Multi-functional Switch, High Configuration)



P12 Wiring Harness Connector Pin Definition

Pin No.	Wire Diameter/Color	Function
1	0.3 GN/WH	Power Supply
2	0.3 BK	Grounding
3	0.3 BU/GN	Steering Wheel LIN
4	0.3 BK/YE	Horn
5	0.3 RD/YE	Backlight Power Supply
6	0.3 BK	Backlight Grounding
7	-	-
8	-	-
9	-	-
10	-	-
11	-	-
12	-	-

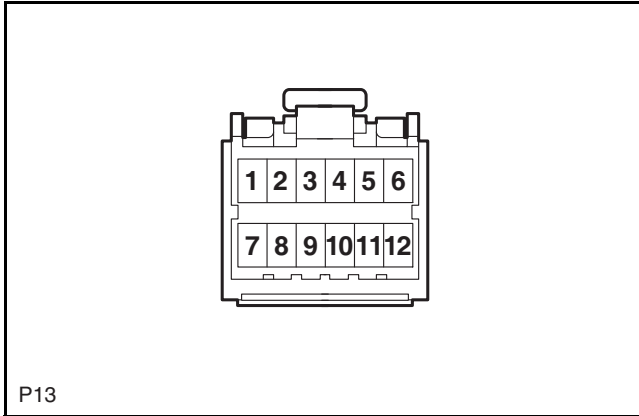
Rotary Connector (Multi-functional Switch, Low Configuration)



P12 Wiring Harness Connector Pin Definition

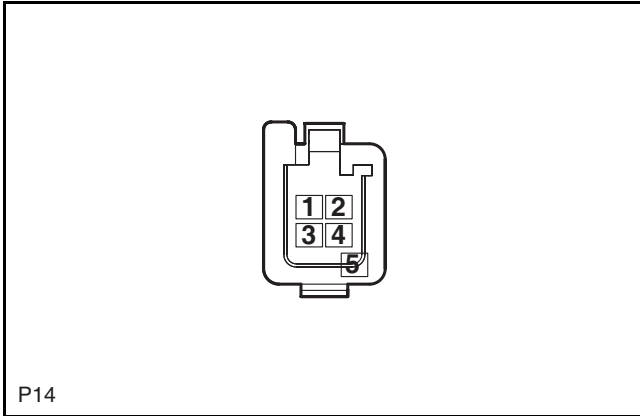
Pin No.	Wire Diameter/Color	Function
1	-	-
2	-	-
3	0.3 VT/WH	Entertainment System Voice, Customization
4	0.3 BK/YE	Horn Positive
5	0.3 RD/YE	Backlight Power Supply
6	0.3 BK	Grounding (Horn/Backlight)
7	0.3 BU/GN	Instrument Cluster Display Grounding
8	0.3 BU/RD	Instrument Cluster Display Grounding
9	-	-
10	-	-
11	0.3 BU/YE	Cruise Negative
12	0.3 YE	Cruise Positive

Combination Switch - Wiper

**P13 Wiring Harness Connector Pin Definition**

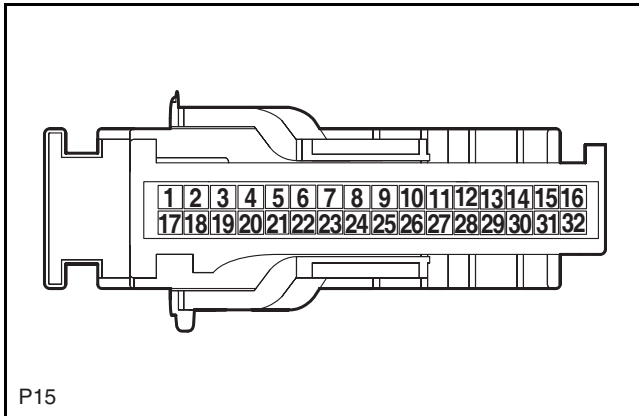
Pin No.	Wire Diameter/Color	Function
1	0.75 BU/RD	Rear Washer Switch
2	0.5 BK/WH	Sensitivity
3	0.5 BU	Automatic
4	0.5 GN	Low Speed
5	-	-
6	0.5 GN	MIST Inching
7	0.75 WH/RD	Rear Wiper and Washer IGN
8	0.75 WH/BN	Front Washer Switch
9	0.75 WH/RD	Front Wiper and Washer IGN
10	0.5 PK/GN	High Speed
11	0.5 BU	Intermittent
12	0.5 YE/WH	Rear Wiper Switch

Instrument Cluster Head Unit Controller (Display)

**P14 Wiring Harness Connector Pin Definition**

Pin No.	Wire Diameter/Color	Function
1	-	-
2	-	-
3	0.5 BK	USB_DATA+
4	0.5 WH	USB_DATA-
5	0.3 WH	Display Shielded Wire

Instrument Cluster Head Unit Controller

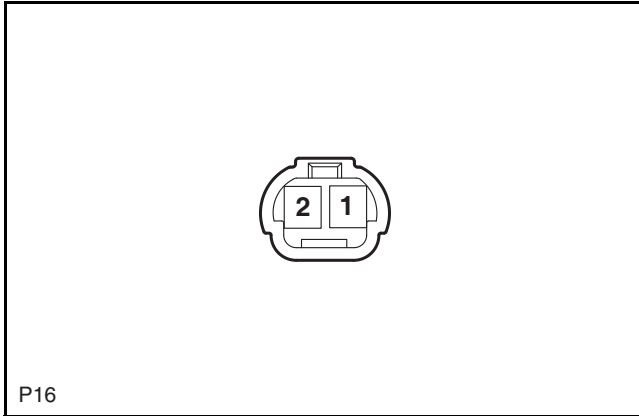


P15 Wiring Harness Connector Pin Definition

Pin No.	Wire Diameter/Color	Function
1	-	-
2	-	-
3	-	-
4	0.3 VT/GN	Brake Fluid Level Signal
5	0.5 RD/BK	Oil Pressure Alarm
6	0.3 GY/YE	Anti-theft Indicator
7	-	-
8	-	-
9	0.3 BN/WH	Fuel Level Signal
10	-	-
11	-	-
12	0.3 YE/RD	Fuel Level Sensor Grounding
13	0.5 BK	Instrument Cluster Grounding
14	-	-
15	0.5 WH/BU	IG1 Power Supply
16	0.5 GN/WH	Constant Power Supply
17	0.3 VT/WH	Entertainment System Voice, Customization
18	-	-
19	0.3 BU/RD	Button Switch Signal 2
20	-	-
21	-	-

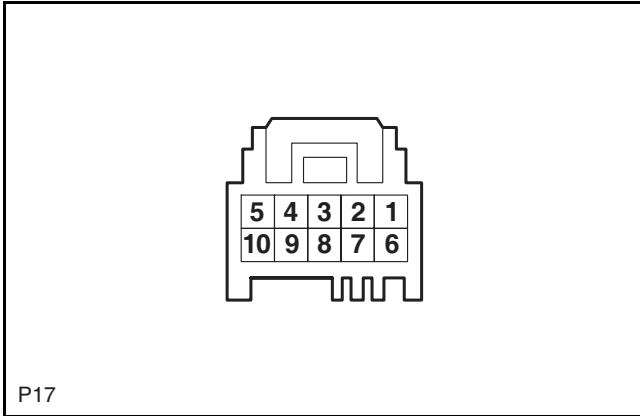
Pin No.	Wire Diameter/Color	Function
22	-	-
23	0.3 BU/GN	Button Switch Signal 1
24	-	-
25	-	-
26	0.3 YE/BK	Private CAN-L
27	0.3 YE	Private CAN-H
28	-	-
29	0.3 PK/BK	CAN-L
30	0.3 PK	CAN-H
31	-	-
32	-	-

Room Temperature Sensor

**P16 Wiring Harness Connector Pin Definition**

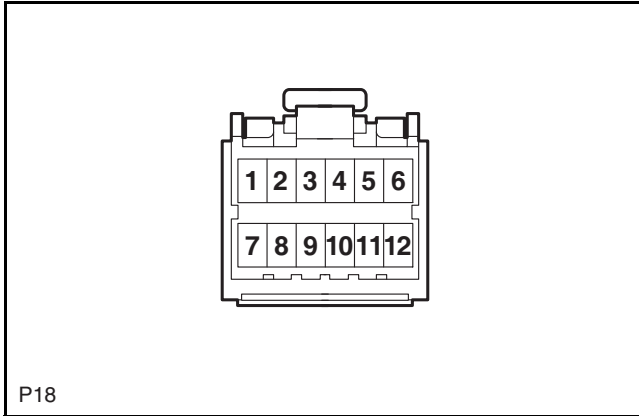
Pin No.	Wire Diameter/Color	Function
1	0.3 BU/RD	Front Passenger Side Room Temperature Sensor Input
2	0.3 GN/WH	Grounding

ENGINE START STOP Switch

**P17 Wiring Harness Connector Pin Definition**

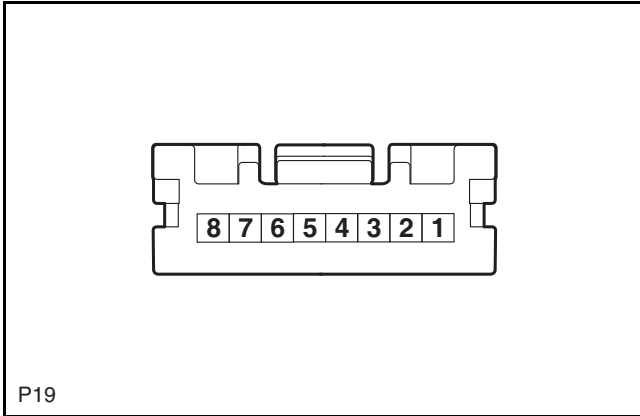
Pin No.	Wire Diameter/Color	Function
1	0.3 LG/VT	SW-IN1
2	0.3 WH/BU	SW-IN2
3	0.3 YE/RD	Grounding
4	0.3 RD/YE	W-LED (Backlight Power Supply)
5	0.3 YE/GN	Y-LED
6	0.3 GN/WH	G-LED
7	-	-
8	-	-
9	-	-
10	-	-

Center Control Panel (Automatic)

**P18 Wiring Harness Connector Pin Definition**

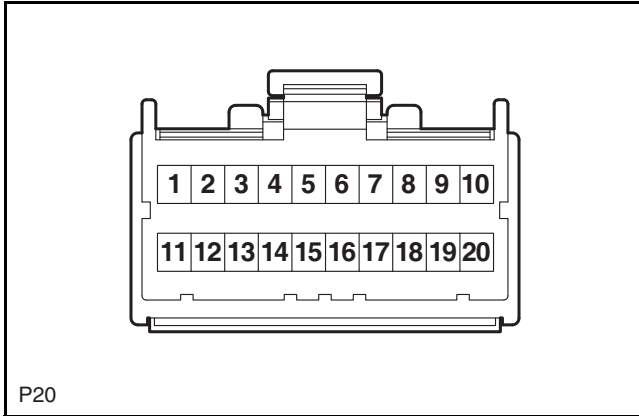
Pin No.	Wire Diameter/Color	Function
1	-	-
2	0.3 BN	LIN-BUS
3	0.3 RD/YE	LL+
4	-	-
5	-	-
6	0.5 WH/BU	IGN Power Supply
7	-	-
8	-	-
9	0.5 GN/YE	BAT+
10	-	-
11	-	-
12	0.5 BK	Grounding

Wireless Charging

**P19 Wiring Harness Connector Pin Definition**

Pin No.	Wire Diameter/Color	Function
1	0.3 RD/WH	ACC Power Supply
2	-	-
3	0.3 BN	PEPS
4	0.3 BK	Grounding
5	0.3 PK	CAN-H
6	0.3 PK/BK	CAN-L
7	-	-
8	-	-

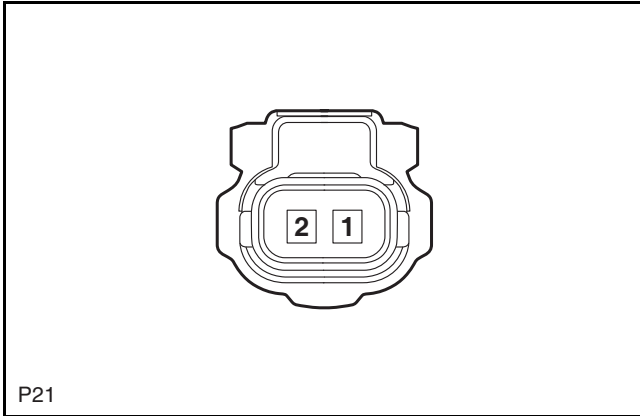
Central Box Switch Box



P20 Wiring Harness Connector Pin Definition

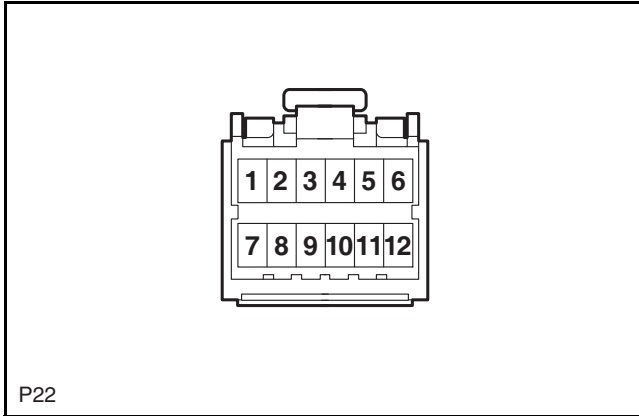
Pin No.	Wire Diameter/Color	Function
1	0.3 YE/RD	360 Switch Output Signal
2	-	-
3	-	-
4	-	-
5	0.3 WH/BN	Drive Mode Select Switch Output Signal
6	-	-
7	0.5 BK	Switch Grounding Signal
8	0.75 BU/RD	SAVE Switch Output Signal
9	0.3 RD/YE	Backlight
10	0.5 BK	Backlight Grounding
11	-	-
12	-	-
13	0.5 WH/GN	Power Supply
14	-	-
15	0.3 YE/GN	EPB Indicator Input Signal
16	0.3 WH/BK	EPB Signal SW3
17	0.3 PK/BU	EPB Signal SW6
18	0.3 OG/GN	EPB Signal SW4
19	0.3 YE/BK	EPB Signal SW1
20	-	-

Front Antenna (Electronic Shift)

**P21 Wiring Harness Connector Pin Definition**

Pin No.	Wire Diameter/Color	Function
1	0.5 PK/BU	Antenna Positive
2	0.5 BU/GN	Antenna Negative

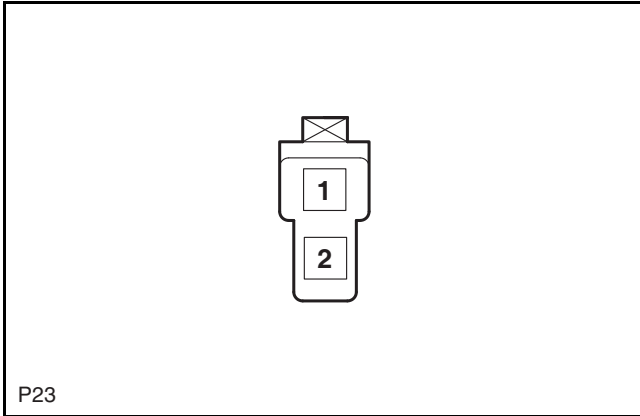
Electronic Shift Control Assembly



P22 Wiring Harness Connector Pin Definition

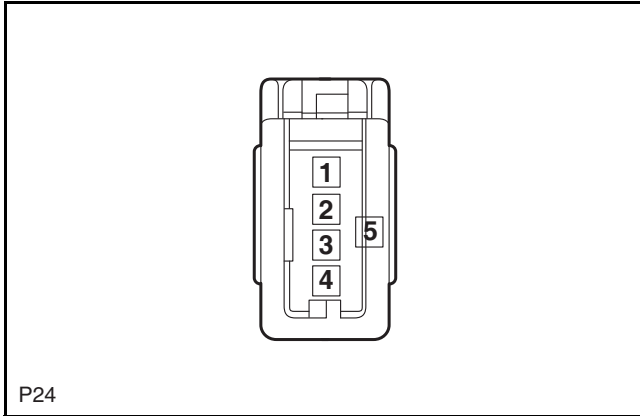
Pin No.	Wire Diameter/Color	Function
1	-	-
2	0.3 LG/BK	CAN_L
3	0.3 LG	CAN_H
4	0.3 RD/YE	Day/Night Mode Switching (Backlight Input)
5	0.5 OG	KL15 Power Supply
6	0.5 RD/GN	KL30 Constant Power Supply
7	-	-
8	-	-
9	0.5 BK	Power Grounding
10	-	-
11	-	-
12	-	-

Power Outlet

**P23 Wiring Harness Connector Pin Definition**

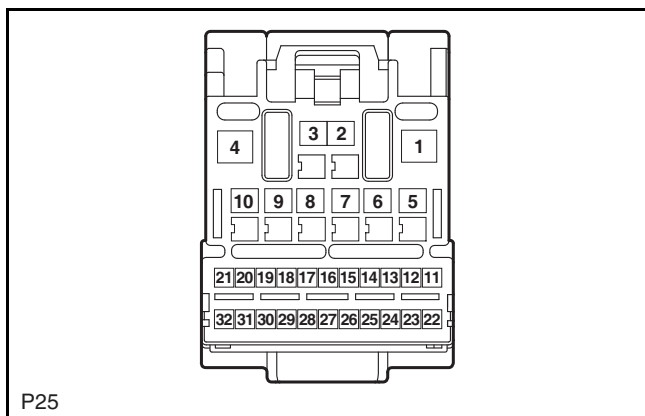
Pin No.	Wire Diameter/Color	Function
1	1.25 BK	Grounding
2	1.25 BU/RD	Power Supply

TF-Card Slot

**P24 Wiring Harness Connector Pin Definition**

Pin No.	Wire Diameter/Color	Function
1	0.5 WH	USB_5V Transmission Line
2	0.5 WH	USB_GND Transmission Line
3	0.5 WH	USB_data+ Transmission Line
4	0.5 WH	USB_data- Transmission Line
5	0.3 WH	Shielded Wire

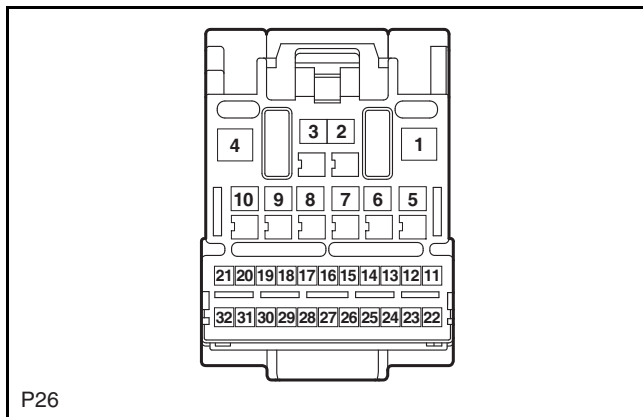
Entertainment and Audio Head Unit - A

**P25 Wiring Harness Connector Pin Definition**

Pin No.	Wire Diameter/Color	Function
1	1.25 BK	Power Supply GND
2	0.5 VT/YE	Tweeter
3	0.5 WH/BK	Left Front Door Speaker +
4	1.25 GY/VT	Constant Power Supply
5	0.5 PK/BK	Left Rear Woofer -
6	0.5 OG/GN	Left Rear Woofer +
7	0.5 VT/GN	Right Front Door Speaker +
8	0.5 VT/OG	Tweeter
9	0.5 GN/VT	Right Rear Woofer +
10	0.5 GN	Right Rear Woofer -
11	0.5 RD/BU	ACC Power Supply
12	-	-
13	0.3 PK/BK	Vehicle CAN_L
14	0.3 PK	Vehicle CAN_H
15	-	-
16	0.3 YE/BK	Private CAN-L
17	0.3 YE	Private CAN-H
18	0.3 YE/RD	Central Box Switch
19	0.3 BK	Video Signal Shield Grounding
20	0.3 WH	Video Signal
21	-	-

Pin No.	Wire Diameter/Color	Function
22	0.3 BU/RD	Camera Power Supply
23	0.3 GY/RD	Camera Power Supply Grounding
24	0.3 YE	Right Standard Definition Panoramic View Camera Power Supply
25	0.3 BK/YE	Right Standard Definition Panoramic View Camera Power Supply Grounding
26	0.3 WH	Right Standard Definition Panoramic View Camera Video Signal
27	0.3 BK	Right Standard Definition Panoramic View Camera Shielded Wire
28	-	-
29	0.3 VT	Microphone 1 Signal
30	0.3 BK	Microphone 1 Signal Grounding
31	0.3 BU/GN	Bluetooth Microphone +
32	0.3 RD	Bluetooth Microphone -

Entertainment and Audio Head Unit - B

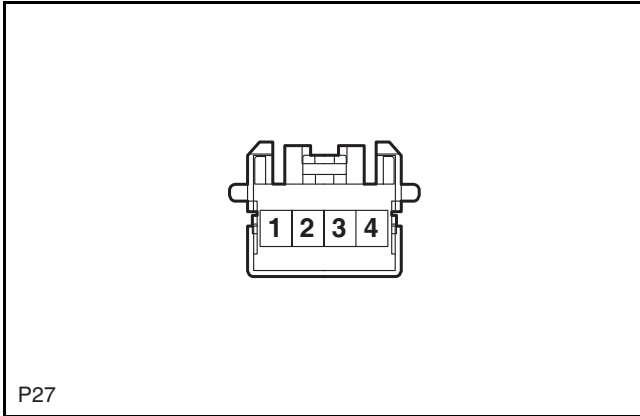


P26 Wiring Harness Connector Pin Definition

Pin No.	Wire Diameter/Color	Function
1	-	-
2	-	-
3	-	-
4	-	-
5	-	-
6	-	-
7	-	-
8	-	-
9	-	-
10	0.75 BU/RD	HD Panoramic Emergency Recording
11	-	-
12	-	-
13	-	-
14	-	-
15	-	-
16	-	-
17	-	-
18	-	-
19	-	-
20	-	-
21	-	-

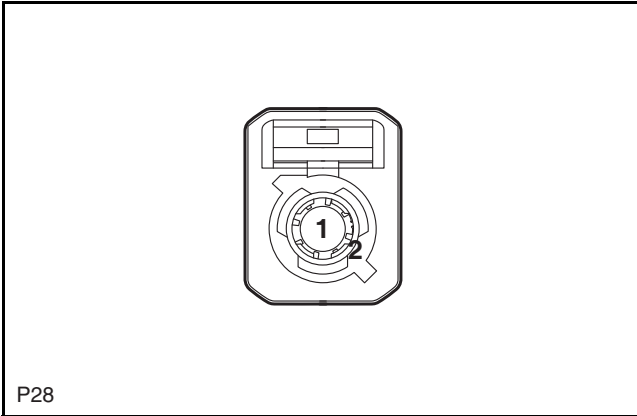
Pin No.	Wire Diameter/Color	Function
22	-	-
23	-	-
24	-	-
25	0.3 WH/BU	Mute Signal Input
26	-	-
27	-	-
28	-	-
29	-	-
30	-	-
31	-	-
32	-	-

Emergency Alarm Switch

**P27 Wiring Harness Connector Pin Definition**

Pin No.	Wire Diameter/Color	Function
1	0.3 BK	Backlight Grounding
2	0.3 RD/BK	Emergency Alarm Switch
3	0.3 BK	Signal Grounding
4	0.3 RD/YE	Backlight Power Supply

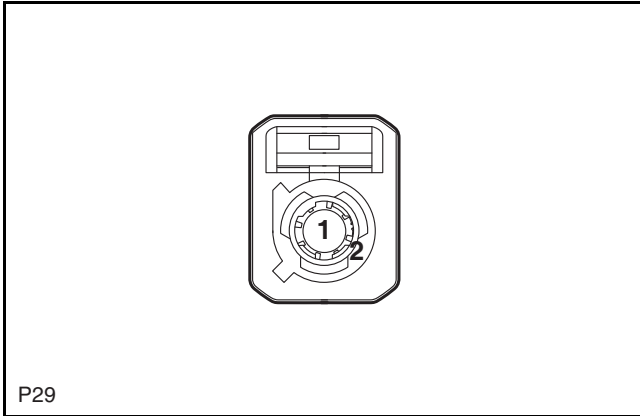
Entertainment and Audio Head Unit (GPS Antenna)



P28 Wiring Harness Connector Pin Definition

Pin No.	Wire Diameter/Color	Function
1	0.5 WH	GPS Antenna +
2	0.3 BK	GPS Shielded Wire

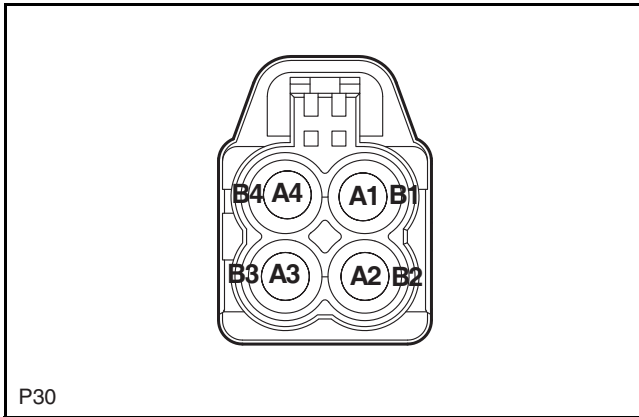
Entertainment and Audio Head Unit (Radio Antenna)



P29 Wiring Harness Connector Pin Definition

Pin No.	Wire Diameter/Color	Function
1	0.5 WH	Radio Antenna +
2	0.3 BK	Radio Shielded Wire

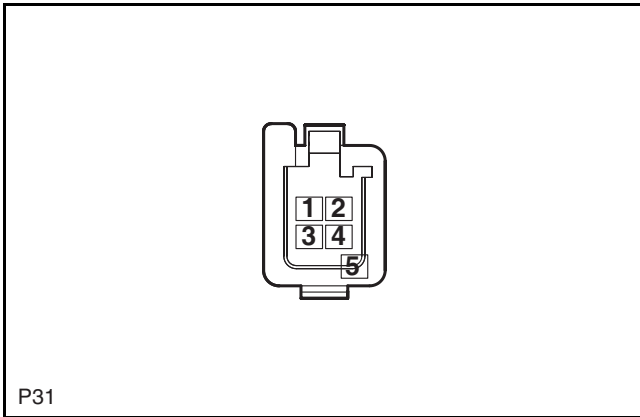
Entertainment and Audio Head Unit (Integrated
Panoramic View Controller)



P30 Wiring Harness Connector Pin Definition

Pin No.	Wire Diameter/Color	Function
A1	0.5 BU	Panoramic Front Camera Signal
A2	0.5 BU	Panoramic Rear Camera Signal
A3	0.5 BU	Panoramic Left Camera Signal
A4	0.5 BU	Panoramic Right Camera Signal
B1	0.3 WH	Panoramic Front Camera Shielded Wire
B2	0.3 WH	Panoramic Rear Camera Shielded Wire
B3	0.3 WH	Panoramic Left Camera Shielded Wire
B4	0.3 WH	Panoramic Right Camera Shielded Wire

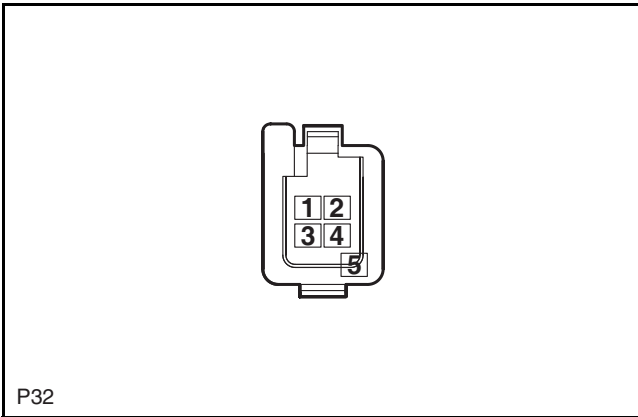
Entertainment and Audio Head Unit (USB for
Instrument Cluster)



P31 Wiring Harness Connector Pin Definition

Pin No.	Wire Diameter/Color	Function
1	-	-
2	-	-
3	0.5 BK	USB_DATA+
4	0.5 WH	USB_DATA-
5	0.3 WH	USB Shielded Wire

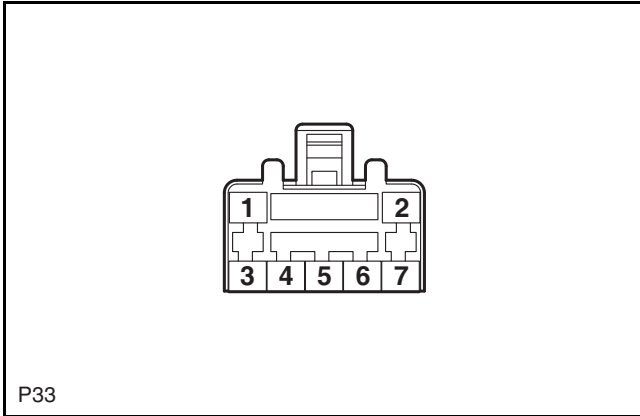
Entertainment and Audio Head Unit (Panoramic
Remote Viewing)



P32 Wiring Harness Connector Pin Definition

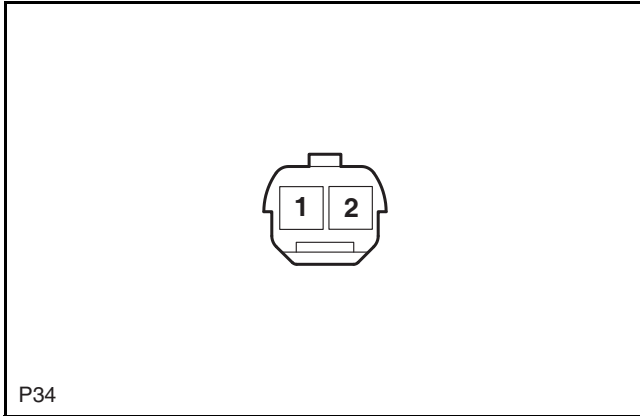
Pin No.	Wire Diameter/Color	Function
1	0.5 WH	USB_5V
2	0.5 WH	USB_GND
3	0.5 WH	USB_data+
4	0.5 WH	USB_data-
5	0.5 WH	USB Shielded Wire

Mode Damper Actuator

**P33 Wiring Harness Connector Pin Definition**

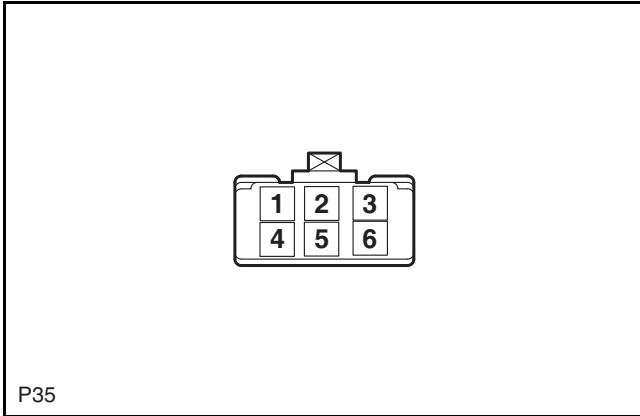
Pin No.	Wire Diameter/Color	Function
1	-	-
2	-	-
3	0.3 BU/YE	Mode Damper Drive Signal (Face at +)
4	0.3 GN/YE	Mode Damper Drive Signal (Defrost at +)
5	0.3 WH/GN	5V Power Supply +
6	0.3 VT	Mode Damper Position Feedback
7	0.3 BU/RD	Signal Grounding

Evaporator Temperature Sensor

**P34 Wiring Harness Connector Pin Definition**

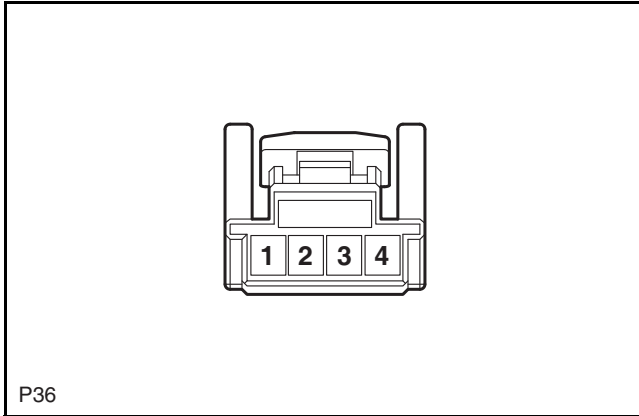
Pin No.	Wire Diameter/Color	Function
1	0.3 GY	Evaporator Temperature Sensor
2	0.3 BU/RD	SGND Signal Grounding

Speed Regulation Module

**P35 Wiring Harness Connector Pin Definition**

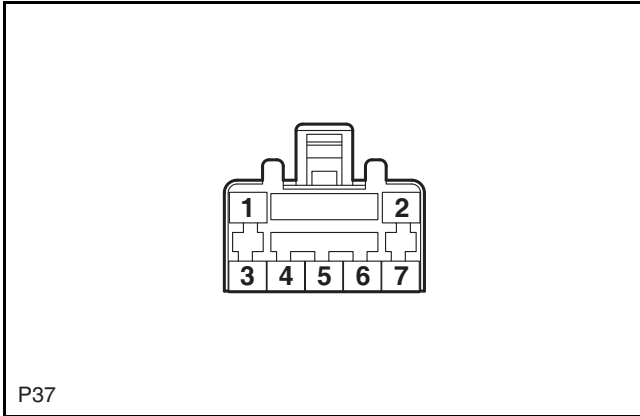
Pin No.	Wire Diameter/Color	Function
1	0.5 BN/WH	Blower Control Signal
2	-	-
3	3.0 BU	Blower Feedback Signal
4	-	-
5	-	-
6	3.0 BK	Negative -

Ion Generator

**P36 Wiring Harness Connector Pin Definition**

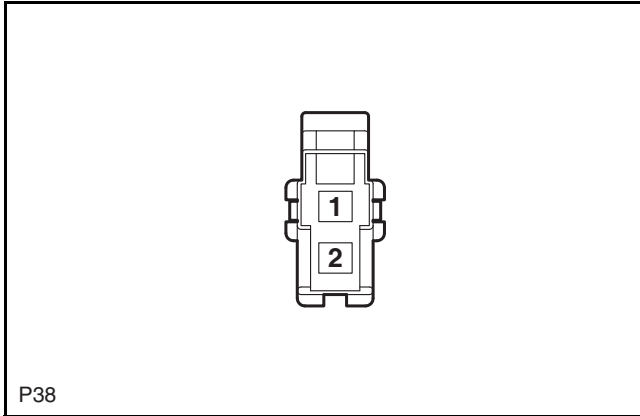
Pin No.	Wire Diameter/Color	Function
1	0.3 VT/WH	Ion Generator Control Signal
2	-	-
3	0.5 BK	Ion Generator
4	0.5 WH/BU	Ion Generator Power Supply +

Right Mix Damper Actuator

**P37 Wiring Harness Connector Pin Definition**

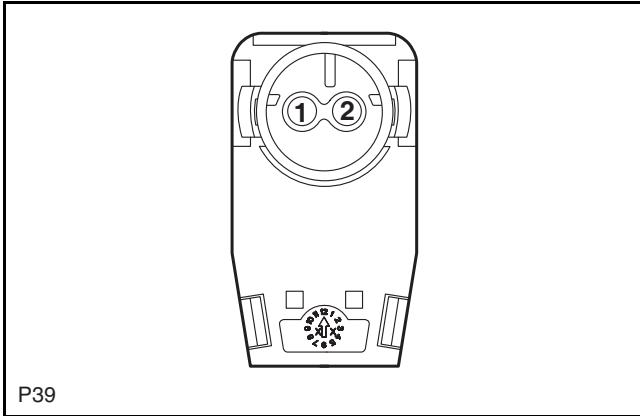
Pin No.	Wire Diameter/Color	Function
1	-	-
2	-	-
3	0.3 LG	Cool and Warm Damper Drive (Full Warm at +)
4	0.3 LG/YE	Cool and Warm Damper Drive (Full Cold at +)
5	0.3 WH/GN	5V Power Supply +
6	0.3 GN/VT	Cool and Warm Damper Position Feedback
7	0.3 BU/RD	Signal Grounding

Blower

**P38 Wiring Harness Connector Pin Definition**

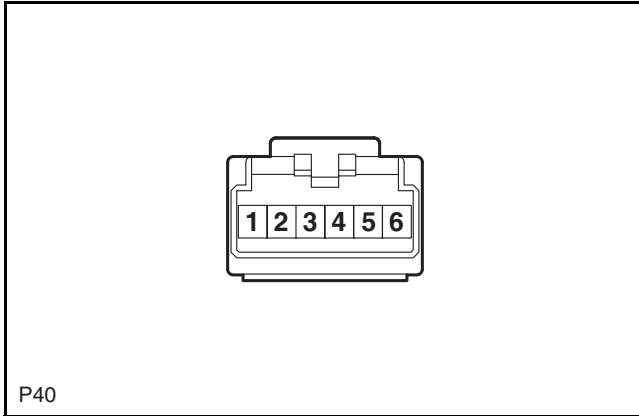
Pin No.	Wire Diameter/Color	Function
1	3.0 RD	Blower Motor (+)
2	3.0 BU	Blower Negative

Front Passenger Airbag

**P39 Wiring Harness Connector Pin Definition**

Pin No.	Wire Diameter/Color	Function
1	0.5 OG	Supply Ignition Current to Deploy PAB-
2	0.5 GN	Supply Ignition Current to Deploy PAB+

Ambient Light Sensor/Sunlight Sensor

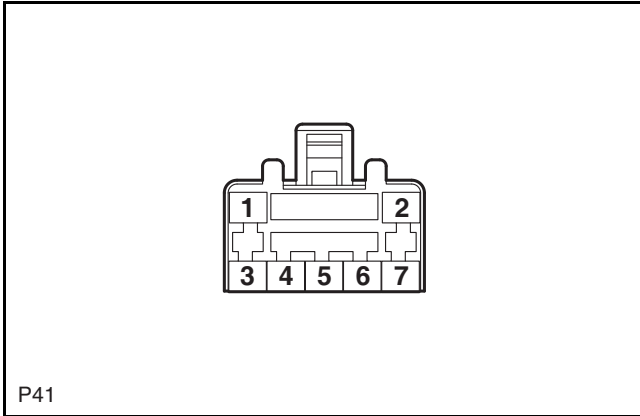


P40

P40 Wiring Harness Connector Pin Definition

Pin No.	Wire Diameter/Color	Function
1	-	-
2	0.3 YE/WH	Left Solar Sensor Output End
3	0.3 BU/RD	Signal Grounding
4	-	-
5	-	-
6	-	-

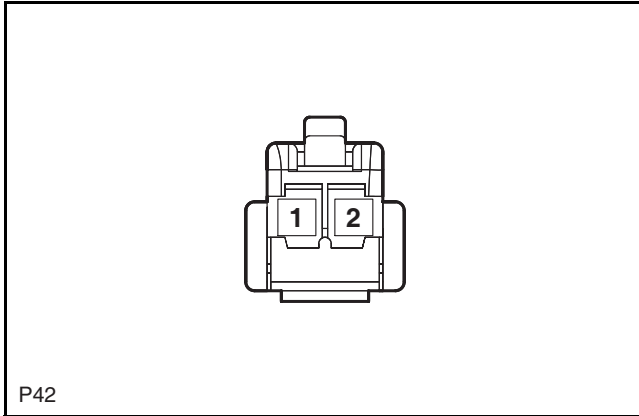
Inner and Outer Recirculation Damper Actuator



P41 Wiring Harness Connector Pin Definition

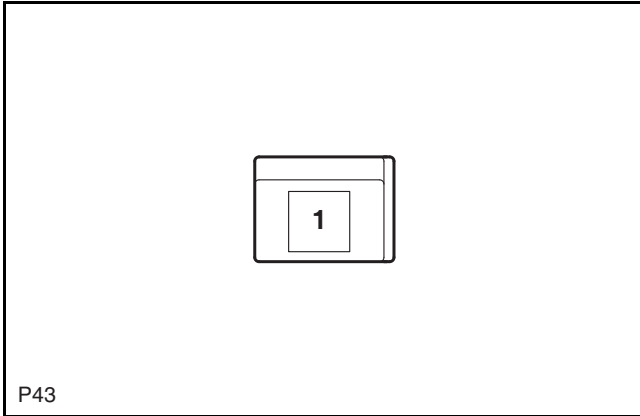
Pin No.	Wire Diameter/Color	Function
1	-	-
2	-	-
3	0.3 GN/RD	Recirculation Damper Drive (Outer Circulation at +)
4	0.3 BU/BK	Recirculation Damper Drive (Inner Circulation at +)
5	0.3 WH/GN	5V Power Supply +
6	0.3 PK/BN	Recirculation Damper Position Feedback
7	0.3 BU/RD	Signal Grounding

Tweeter - Right Front

**P42 Wiring Harness Connector Pin Definition**

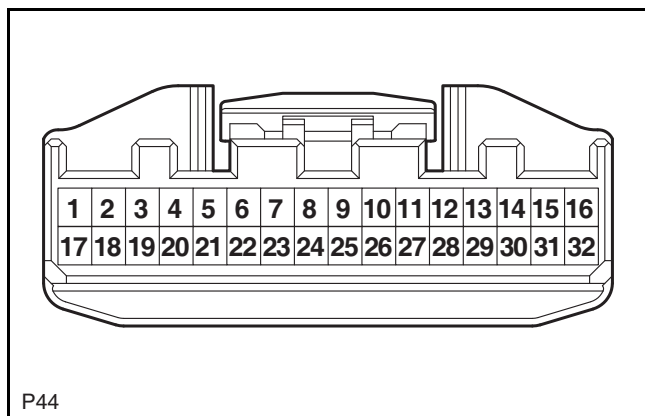
Pin No.	Wire Diameter/Color	Function
1	0.5 VT/OG	Positive
2	0.5 VT/GN	Negative

Right Front Windshield Heater - Positive

**P43 Wiring Harness Connector Pin Definition**

Pin No.	Wire Diameter/Color	Function
1	2.5 RD/WH	Right Front Windshield Heater - Positive

BDC-J1

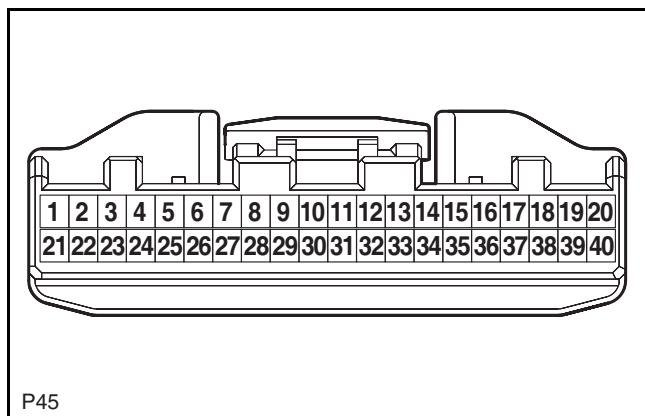


P44 Wiring Harness Connector Pin Definition

Pin No.	Wire Diameter/Color	Function
1	0.3 VT	Front Passenger Side Mode Motor Position Input
2	0.3 GN/BU	Pressure Switch
3	-	-
4	0.3 BU/RD	SGND A/C Motor Signal Grounding
5	-	-
6	-	-
7	0.3 OG/BN	Front Passenger Side Blower Relay Control
8	0.3 VT/WH	Ion Generator
9	0.3 LG	Driver Side Temperature Motor Hot Side Output
10	-	-
11	0.3 BU/BK	Inner and Outer Recirculation Motor Inner Recirculation Side Output
12	0.3 GN/RD	Inner and Outer Recirculation Motor Outer Recirculation Side Output
13	0.3 BU/YE	Front Passenger Side Mode Motor Face Side Output
14	-	-
15	0.3 GN/YE	Front Passenger Side Mode Motor DEF Side Output
16	0.3 LG/YE	Driver Side Temperature Motor Cool Side Output
17	0.3 GN/BK	BCAN Terminal Resistance -L
18	0.3 GN	BCAN Terminal Resistance -H
19	0.3 GN/WH	Front Passenger Side Room Temperature Sensor Input
20	-	-

Pin No.	Wire Diameter/Color	Function
21	0.3 YE/WH	Sunlight Sensor Da Side Input
22	0.3 GY	Front Passenger Side Evaporator Sensor
23	0.3 PK/BN	Inner and Outer Recirculation Motor Position Input
24	-	-
25	0.3 WH/RD	Outside Temperature Input
26	0.3 GN/VT	Driver Side Temperature Motor Position Input
27	0.3 WH/GN	5V Power Supply
28	-	-
29	-	-
30	0.5 BU	Front Passenger Side Blower Feedback Signal Input
31	0.5 BN/WH	Front Passenger Side Blower Motor Drive Output
32	0.3 BN	Panel for Communication

BDC-J2

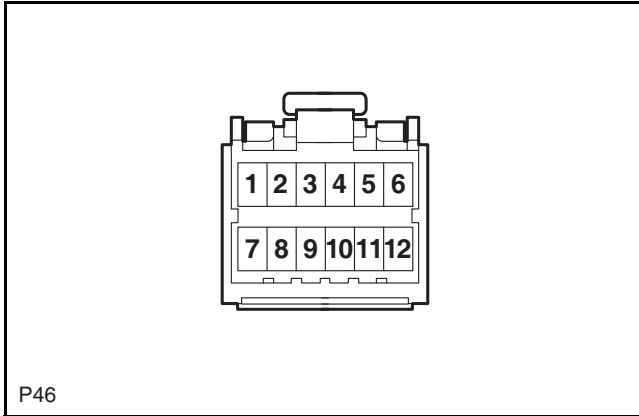


P45 Wiring Harness Connector Pin Definition

Pin No.	Wire Diameter/Color	Function
1	0.3 YE/RD	ENGINE START STOP Switch Assembly Grounding
2	0.3 LG/VT	Start and Stop Switch 1
3	0.3 WH/BU	Start and Stop Switch 2
4	0.5 RD/BU	ACC Relay Feedback
5	0.5 OG/BK	IG1 Power Supply Feedback
6	-	-
7	0.3 BU/WH	Automatic Light Switch
8	0.3 GN/OG	Low Beam Lamp Switch
9	0.3 PK/WH	High Beam Lamp Switch
10	-	-
11	0.5 BU	Front Wiper Automatic/Intermittent Switch
12	0.5 GN	Front Wiper Low Speed Switch
13	0.5 PK/GN	Front Wiper High Speed Switch
14	0.5 YE/BN	Front Washer Switch
15	-	-
16	0.5 BK/WH	Front Wiper Intermittent Adjustment Switch Analog Input
17	0.3 GN/RD	Ambient Light Sensor
18	0.3 BU/RD	Rear Washer Switch
19	0.5 YE/WH	Rear Wiper Low Speed Switch
20	-	-
21	0.3 YE/GN	Red Indicator

Pin No.	Wire Diameter/Color	Function
22	0.3 GN/WH	Green Indicator
23	0.3 RD/YE	Start and Stop Switch Background Lamp (PWM)
24	0.3 BU/GN	Steering Wheel LIN
25	0.5 WH/RD	Front Wiper Intermittent Adjustment Switch Reference Power Supply
26	-	-
27	0.3 OG/BN	Rear Fog Lamp Switch
28	0.3 BN	Right Turn Lamp Switch
29	0.3 VT/WH	Left Turn Lamp Switch
30	0.3 BK/YE	Horn Switch
31	0.3 WH/GN	Overtaking Lamp Switch
32	0.3 PK/BU	Position Lamp Switch
33	0.3 RD/BK	Emergency Alarm Switch
34	0.3 GY/YE	Anti-theft Indicator
35	0.3 BU/BK	ACC Relay
36	0.3 OG/WH	IG1 Relay
37	0.3 PK	INFOCAN-H
38	0.3 PK/BK	INFOCAN-L
39	0.3 YE	Diagnosis CANH
40	0.03 YE/BK	Diagnosis CANL

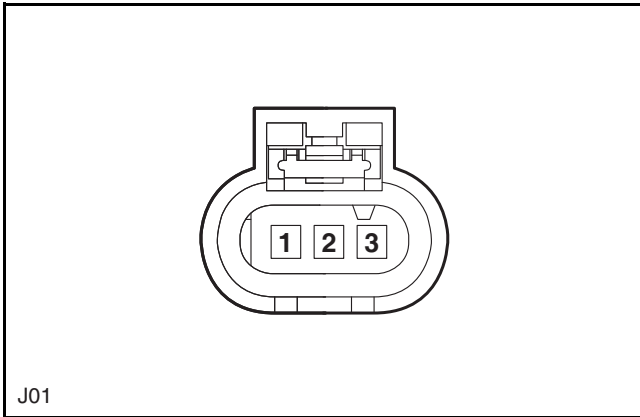
Central Box Switch Box* (Low Configuration)

**P46 Wiring Harness Connector Pin Definition**

Pin No.	Wire Diameter/Color	Function
1	0.3 WH/BN	Mode Switch Signal Output
2	0.5 BK	Switch Signal Grounding
3	0.5 BK	Backlight Grounding
4	-	-
5	0.3 WH/BK	EPB_SW3
6	0.3 PK/BU	EPB_SW6
7	0.3 YE/RD	Right Blind Spot_SW
8	0.3 YE/BK	EPB_SW1
9	0.3 OG/GN	EPB_SW4
10	0.3 YE/GN	LED_EPB
11	0.5 WH/GN	Indicator Power Supply
12	0.3 RD/YE	Backlight Power Supply

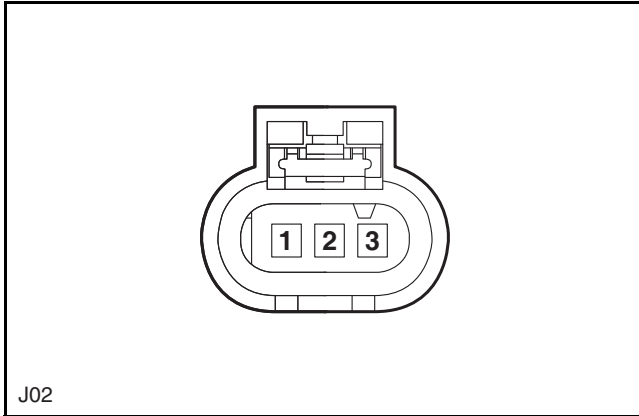
Rear Bumper Wiring Harness Connector (J--)

Reversing Radar Sensor (Left Rear Corner)

**J01 Wiring Harness Connector Pin Definition**

Pin No.	Wire Diameter/Color	Function
1	0.3 WH	Sensor Grounding
2	0.3 GN/BU	Left Rear Corner Reversing Radar Sensor Signal
3	0.3 WH/RD	Sensor Power Supply

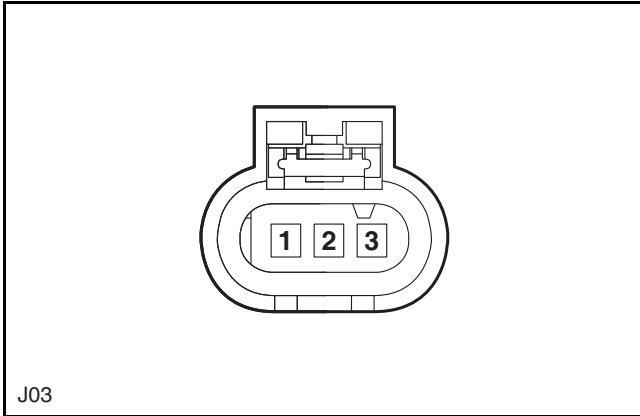
Reversing Radar Sensor (Right Rear Center)



J02 Wiring Harness Connector Pin Definition

Pin No.	Wire Diameter/Color	Function
1	0.3 WH	Sensor Grounding
2	0.3 GN/YE	Right Rear Center Reversing Radar Sensor Signal
3	0.3 WH/RD	Sensor Power Supply

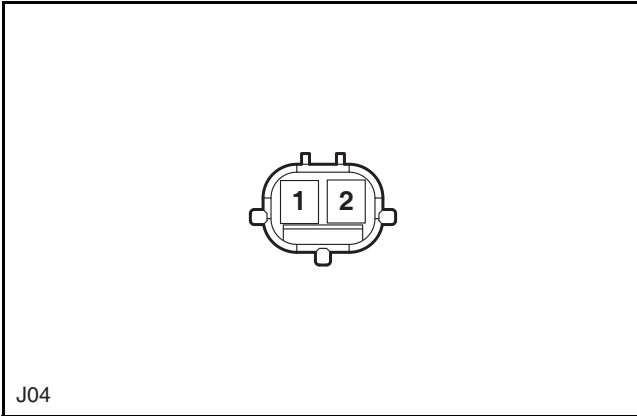
Reversing Radar Sensor (Right Rear Corner)



J03 Wiring Harness Connector Pin Definition

Pin No.	Wire Diameter/Color	Function
1	0.3 WH	Sensor Grounding
2	0.3 GN	Right Rear Corner Reversing Radar Sensor Signal
3	0.3 WH/RD	Sensor Power Supply

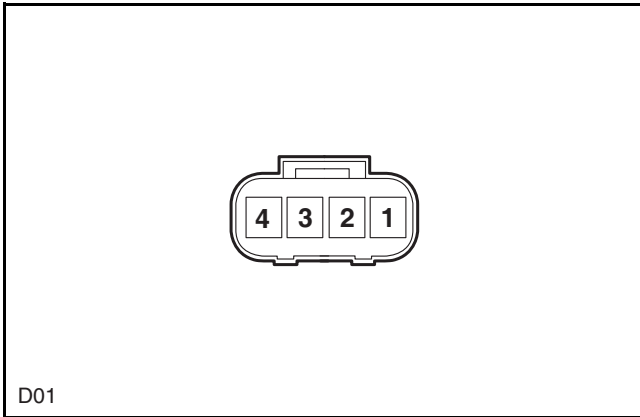
Rear Combination Lamp - Rear Fog Lamp

**J04 Wiring Harness Connector Pin Definition**

Pin No.	Wire Diameter/Color	Function
1	0.5 GN/BN	Rear Fog Lamp Power Supply
2	0.5 BK	Rear Fog Lamp Grounding Wire

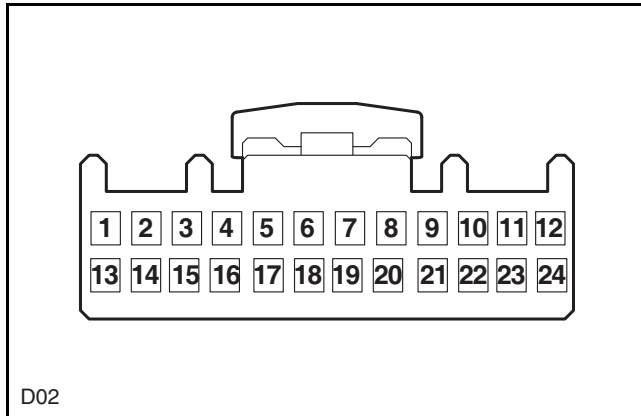
5-Door Wiring Harness Connector (D--)

Door Handle Button and Antenna (Left Front Door)

**D01 Wiring Harness Connector Pin Definition**

Pin No.	Wire Diameter/Color	Function
1	-	-
2	-	-
3	0.3 BN/BU	Signal Output
4	0.3 YE	Signal Output

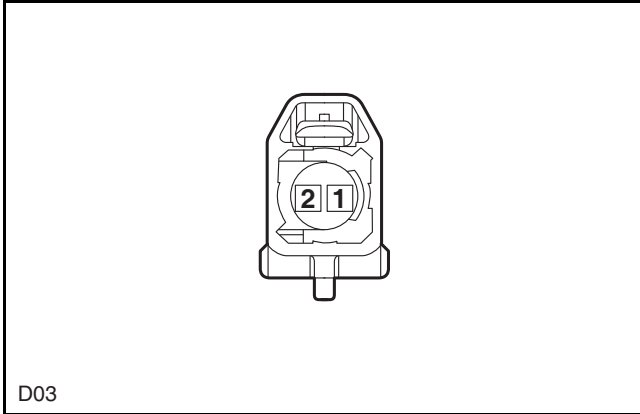
Rearview Mirror (Left Front Door)

**D02 Wiring Harness Connector Pin Definition**

Pin No.	Wire Diameter/Color	Function
1	-	-
2	-	-
3	-	-
4	-	-
5	-	-
6	-	-
7	0.3 RD	Heating Element Power Supply
8	0.5 GN/WH	Left Turn Lamp Power Supply
9	0.5 BK	Side Turn Lamp Grounding Wire
10	0.35 BU	Left Rearview Mirror Left-Right Adjustment
11	0.3 YE/GN	Rearview Mirror Adjustment Switch Common End
12	0.3 BK/WH	Left Rearview Mirror Up-Down Adjustment
13	-	-
14	-	-
15	-	-
16	-	-
17	-	-
18	-	-
19	-	-
20	-	-
21	-	-

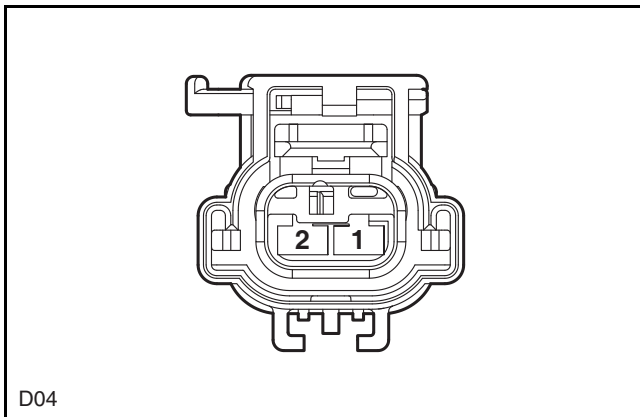
Pin No.	Wire Diameter/Color	Function
22	0.3 WH/YE	Rearview Mirror Extending
23	0.3 WH/BU	Rearview Mirror Folding
24	-	-

Left Panoramic View Camera

**D03 Wiring Harness Connector Pin Definition**

Pin No.	Wire Diameter/Color	Function
1	0.5 BU	Left Camera Signal
2	0.3 WH	Left Camera Signal

Window Motor 1 (Left Front Door Four Doors
Anti-pinch)

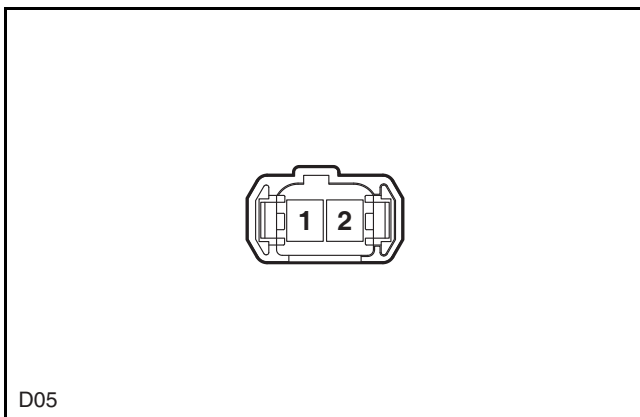


D04

D04 Wiring Harness Connector Pin Definition

Pin No.	Wire Diameter/Color	Function
1	2.0 WH	Window Motor Up
2	2.0 RD/GN	Window Motor Down

Speaker 1 (Left Front Door)

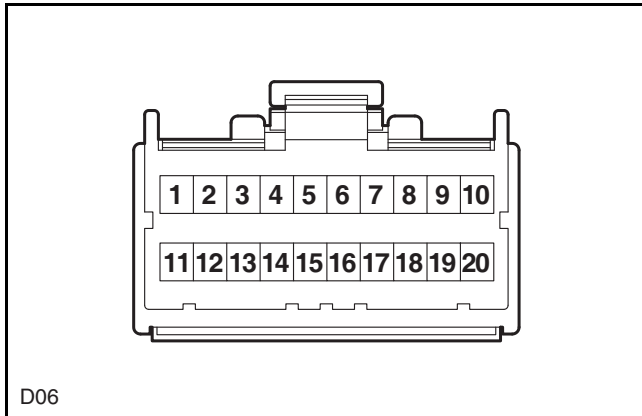


D05

D05 Wiring Harness Connector Pin Definition

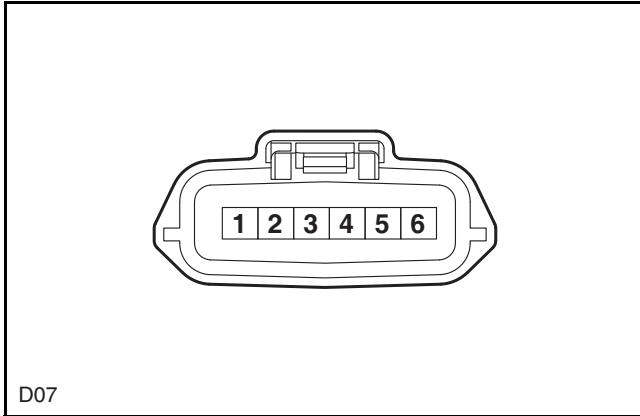
Pin No.	Wire Diameter/Color	Function
1	0.5 WH/BK	Negative -
2	0.5 VT/YE	Positive +

Window Switch - Main (Four Doors Anti-pinch)

**D06 Wiring Harness Connector Pin Definition**

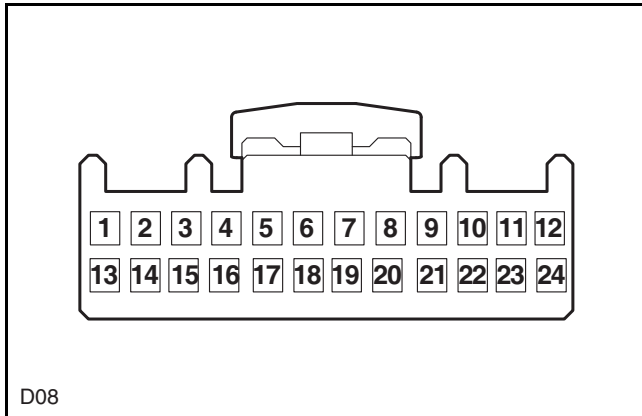
Pin No.	Wire Diameter/Color	Function
1	0.3 WH/BN	Left Rear Door Button Signal
2	0.3 WH/VT	Right Front Door Button Signal
3	0.3 GN/BK	Central Lock Signal (Lock)
4	0.3 GN/YE	Central Lock Signal (Unlock)
5	-	-
6	-	-
7	0.3 RD/WH	Window Lock Indicator Input
8	0.3 WH/GN	Left Front Door Button Signal
9	0.3 VT	Door Lock Indicator Signal
10	0.5 BK/WH	Power Supply Grounding
11	0.3 RD/YE	Backlight
12	0.5 OG	IG1 Power Supply
13	-	-
14	-	-
15	-	-
16	0.3 PK/BN	Window Lock
17	-	-
18	-	-
19	-	-
20	0.3 WH/RD	Right Rear Door Button Signal

Door Lock Motor (Left Front Door)

**D07 Wiring Harness Connector Pin Definition**

Pin No.	Wire Diameter/Color	Function
1	0.3 RD/BK	Lock Status Signal
2	0.3 BK	Signal Common End
3	-	-
4	-	-
5	0.5 YE/BN	Central Release Lock
6	0.5 YE/BU	Central Lock

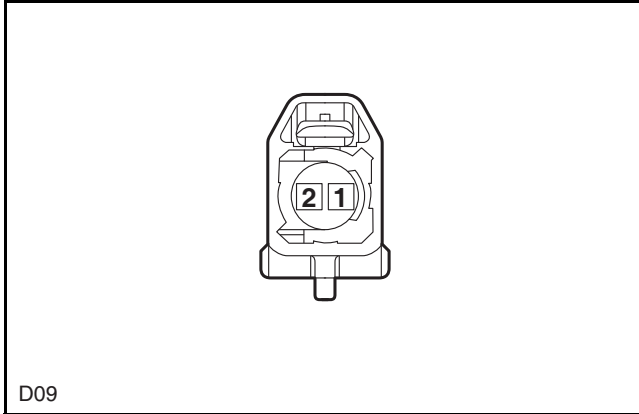
Rearview Mirror (Right Front Door)

**D08 Wiring Harness Connector Pin Definition**

Pin No.	Wire Diameter/Color	Function
1	-	-
2	-	-
3	-	-
4	0.3 YE	Video Power Supply Positive
5	0.3 BK	Video Signal Grounding
6	0.3 WH	Video Signal +
7	0.3 RD	Heating Element Power Supply
8	0.5 GN/BK	Right Turn Lamp Power Supply
9	0.5 BK	Side Turn Lamp Grounding Wire
10	0.3 BU/BK	Right Rearview Mirror Left-Right Adjustment
11	0.3 YE/GN	Rearview Mirror Adjustment Switch Common End
12	0.3 LG/RD	Right Rearview Mirror Up-Down Adjustment
13	-	-
14	-	-
15	-	-
16	-	-
17	-	-
18	-	-
19	-	-
20	-	-
21	-	-

Pin No.	Wire Diameter/Color	Function
22	0.3 WH/YE	Rearview Mirror Extending
23	0.3 WH/BU	Rearview Mirror Folding
24	0.3 BK/YE	Grounding

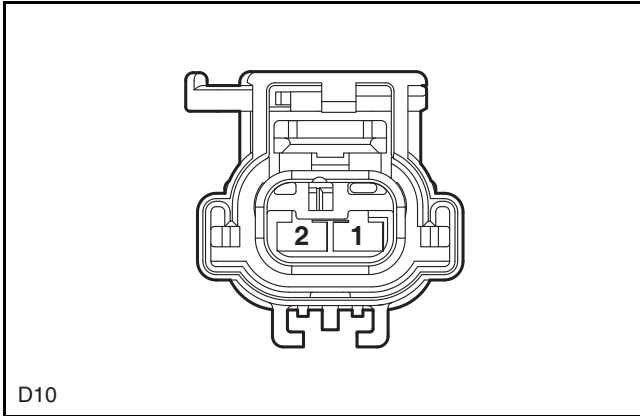
Right Panoramic View Camera



D09 Wiring Harness Connector Pin Definition

Pin No.	Wire Diameter/Color	Function
1	0.5 BU	Right Camera Signal
2	0.3 WH	Right Camera Signal

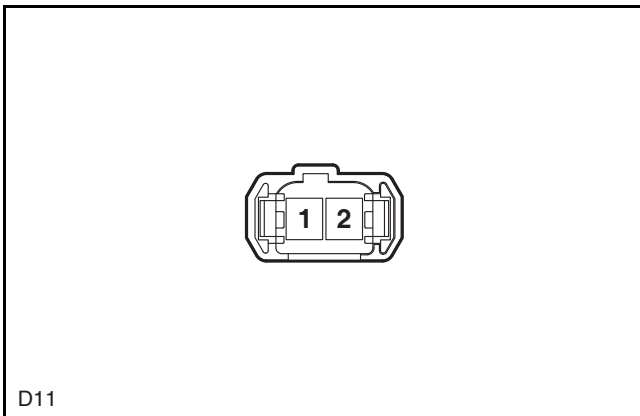
Window Motor (Right Front Door)



D10 Wiring Harness Connector Pin Definition

Pin No.	Wire Diameter/Color	Function
1	2.0 BU	Window Motor Up
2	2.0 BU/BK	Window Motor Down

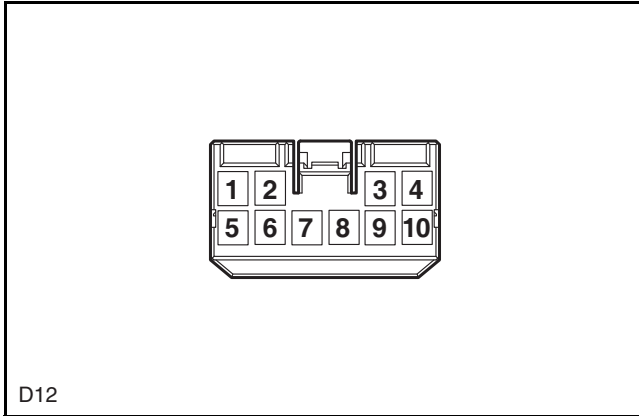
Speaker 1 (Right Front Door)



D11 Wiring Harness Connector Pin Definition

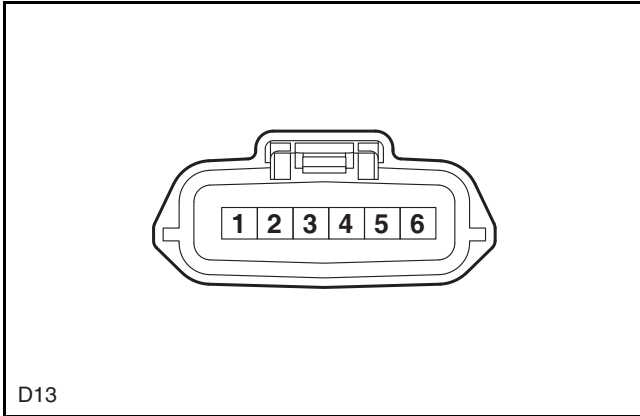
Pin No.	Wire Diameter/Color	Function
1	0.5 VT/GN	Negative -
2	0.5 VT/OG	Positive +

Window Switch - Sub (Anti-pinch)

**D12 Wiring Harness Connector Pin Definition**

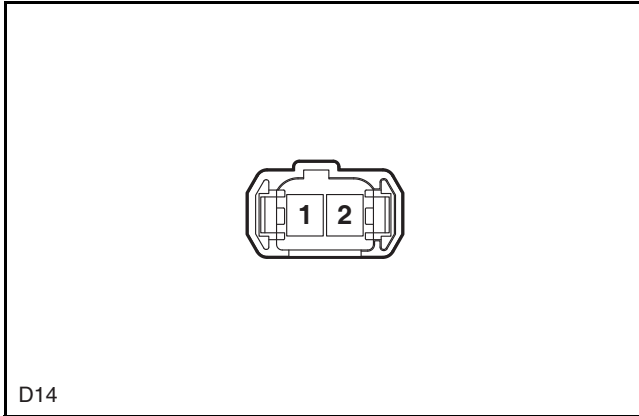
Pin No.	Wire Diameter/Color	Function
1	0.3 RD/YE	Backlight Power Supply
2	0.3 OG/BK	Automatic Button Signal
3	-	-
4	-	-
5	0.3 WH/BK	Down Signal
6	0.3 BU/YE	Up Signal
7	-	-
8	-	-
9	-	-
10	0.5 BK/WH	Grounding

Door Lock Motor (Right Front Door)

**D13 Wiring Harness Connector Pin Definition**

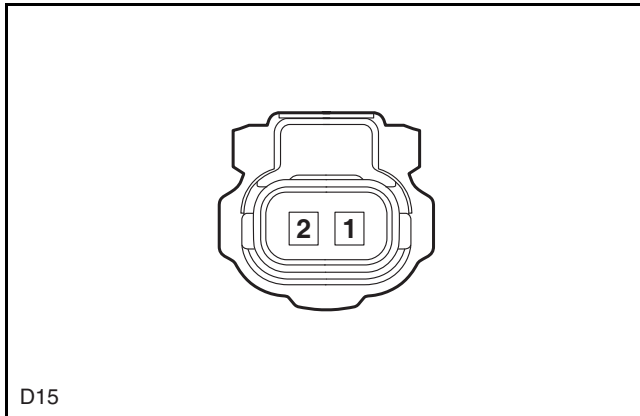
Pin No.	Wire Diameter/Color	Function
1	0.5 YE/WH	Central Release Lock
2	0.5 YE/BU	Central Lock
3	-	-
4	-	-
5	-	-
6	-	-

Speaker 1 (Left Rear Door)

**D14 Wiring Harness Connector Pin Definition**

Pin No.	Wire Diameter/Color	Function
1	0.5 PK/BK	Negative -
2	0.5 OG/GN	Positive +

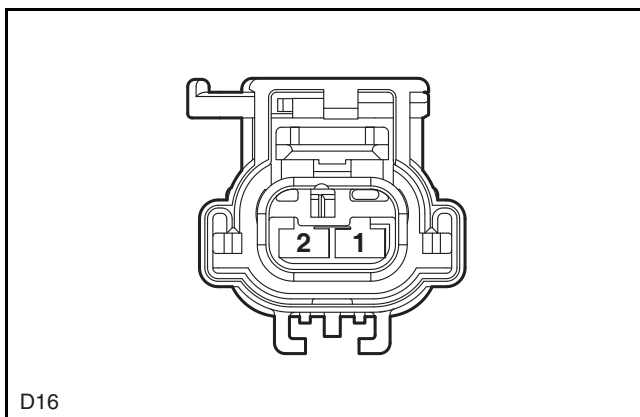
Left Side Antenna



D15 Wiring Harness Connector Pin Definition

Pin No.	Wire Diameter/Color	Function
1	0.5 BN	Antenna Positive
2	0.5 BU	Antenna Negative

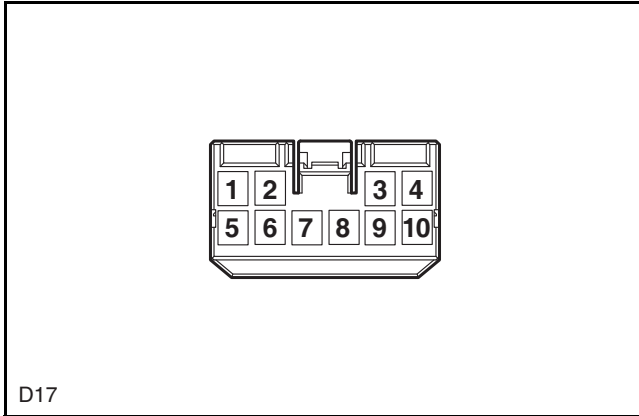
Window Motor (Left Rear Door)



D16 Wiring Harness Connector Pin Definition

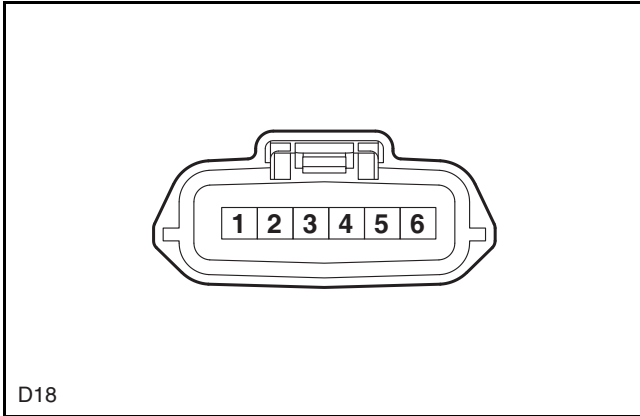
Pin No.	Wire Diameter/Color	Function
1	2.0 GN	Up
2	2.0 GN/BK	Down

Window Switch - Left Rear Door (Anti-pinch)

**D17 Wiring Harness Connector Pin Definition**

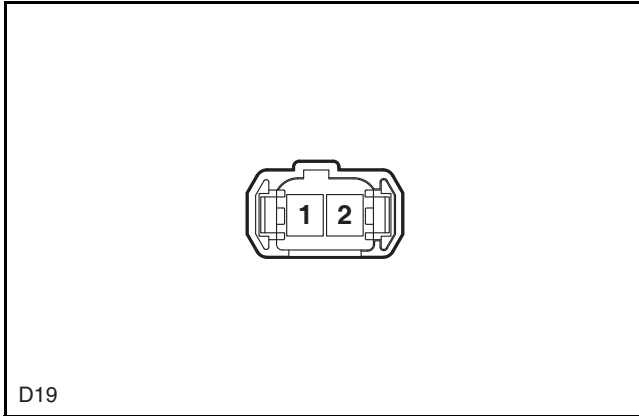
Pin No.	Wire Diameter/Color	Function
1	0.3 RD/YE	Backlight Power Supply
2	0.3 OG/BU	Automatic Button Signal
3	-	-
4	-	-
5	0.3 PK	Down Signal
6	0.3 PK/WH	Up Signal
7	-	-
8	-	-
9	-	-
10	0.5 BK/WH	Grounding

Door Lock Motor (Left Rear Door)

**D18 Wiring Harness Connector Pin Definition**

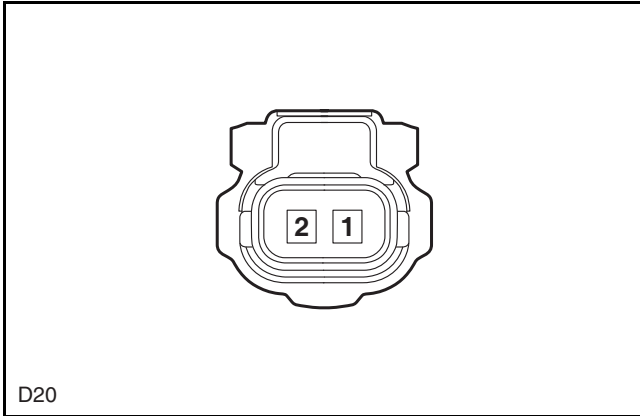
Pin No.	Wire Diameter/Color	Function
1	-	-
2	-	-
3	-	-
4	-	-
5	0.5 YE/WH	Central Release Lock
6	0.5 YE/BU	Central Lock

Speaker 1 (Right Rear Door)

**D19 Wiring Harness Connector Pin Definition**

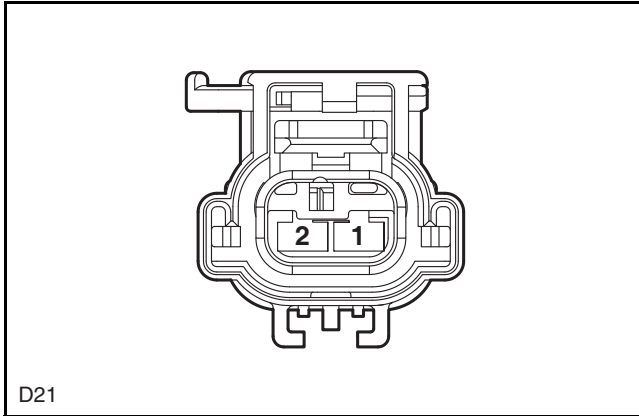
Pin No.	Wire Diameter/Color	Function
1	0.5 GN	Negative
2	0.5 GN/VT	Positive

Right Side Antenna

**D20 Wiring Harness Connector Pin Definition**

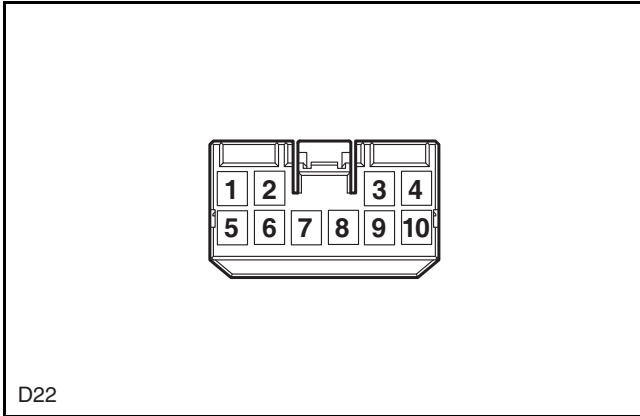
Pin No.	Wire Diameter/Color	Function
1	0.5 BN/WH	Antenna Positive
2	0.5 BU/WH	Antenna Negative

Window Motor (Right Rear Door)

**D21 Wiring Harness Connector Pin Definition**

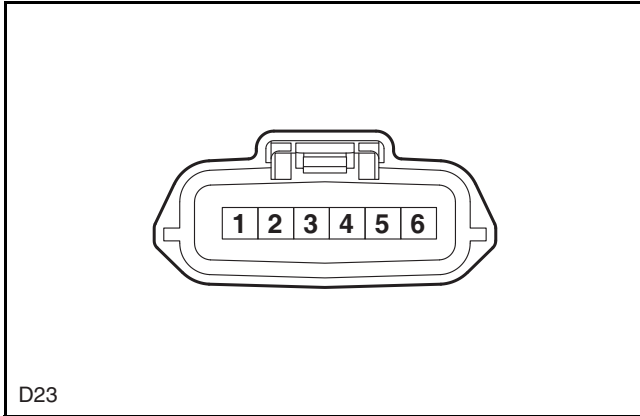
Pin No.	Wire Diameter/Color	Function
1	2.0 BN	Up
2	2.0 BN/YE	Down

Window Switch - Right Rear Door (Anti-pinch)

**D22 Wiring Harness Connector Pin Definition**

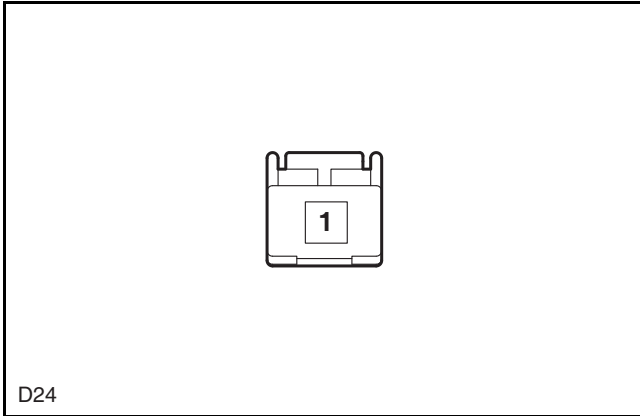
Pin No.	Wire Diameter/Color	Function
1	0.3 RD/YE	Backlight Power Supply
2	0.3 GN/OG	Automatic Button Signal
3	-	-
4	-	-
5	0.3 BN/BU	Down Signal
6	0.3 BN	Up Signal
7	-	-
8	-	-
9	-	-
10	0.5 BK/WH	Grounding

Door Lock Motor (Right Rear Door)

**D23 Wiring Harness Connector Pin Definition**

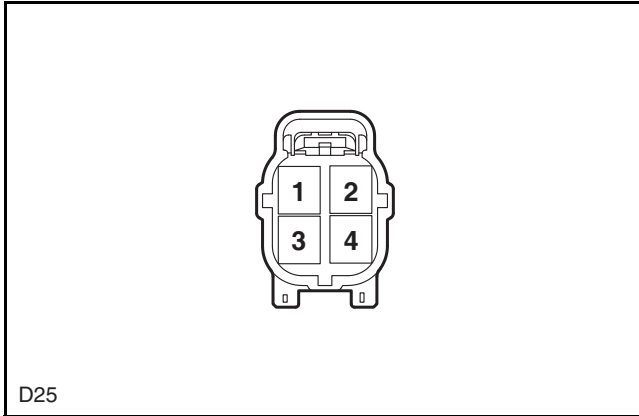
Pin No.	Wire Diameter/Color	Function
1	0.5 YE/WH	Central Release Lock
2	0.5 YE/BU	Central Lock
3	-	-
4	-	-
5	-	-
6	-	-

Rear Defroster Negative

**D24 Wiring Harness Connector Pin Definition**

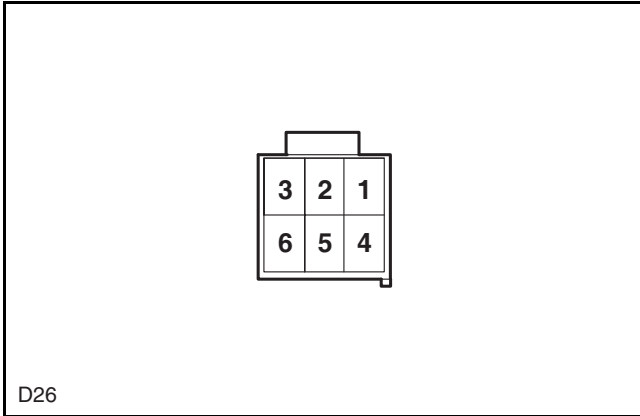
Pin No.	Wire Diameter/Color	Function
1	2.5 BK	Grounding

Right Rear Combination Lamp II

**D25 Wiring Harness Connector Pin Definition**

Pin No.	Wire Diameter/Color	Function
1	0.5 BK/RD	Back-up Lamp Positive
2	0.5 BK	Right Rear Position Lamp Negative
3	0.5 WH/RD	Right Brake Lamp
4	-	-

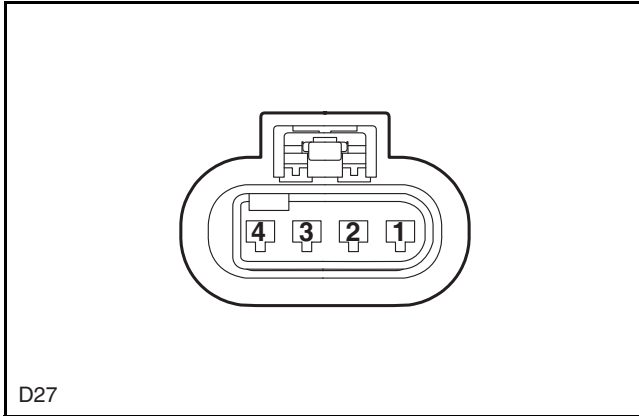
Door Lock Motor - Back Door (High Configuration 1)



D26 Wiring Harness Connector Pin Definition

Pin No.	Wire Diameter/Color	Function
1	0.3 RD/GN	Full Lock
2	0.3 GN	Half Lock
3	0.3 BK/WH	Signal Grounding
4	0.75 PK	Motor to Wire End
5	0.075 GY	Motor to Wire End
6	0.3 BU	Reset

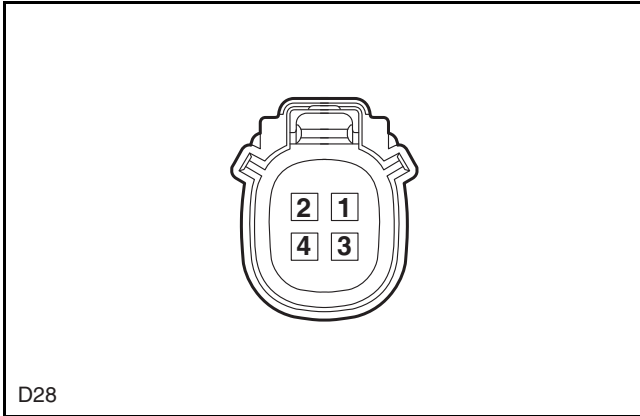
Door Lock Motor - Back Door (Low Configuration)



D27 Wiring Harness Connector Pin Definition

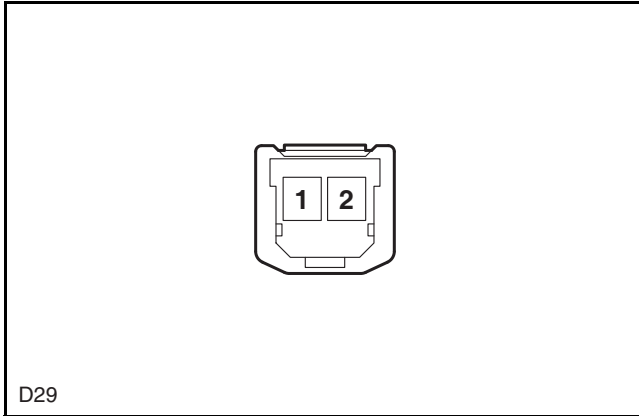
Pin No.	Wire Diameter/Color	Function
1	0.3 GN/BU	Signal
2	0.5 BK	Signal Grounding
3	0.5 WH/VT	Motor Positive +
4	0.5 BK	Motor Negative -

Back Door Close Switch

**D28 Wiring Harness Connector Pin Definition**

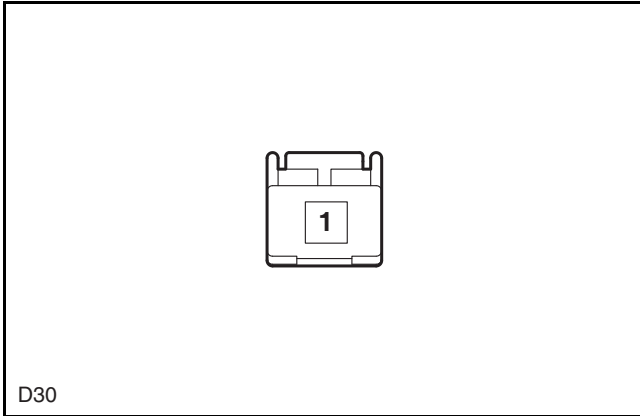
Pin No.	Wire Diameter/Color	Function
1	0.3 RD/WH	Control Signal
2	0.3 RD/YE	Backlight Power Supply
3	0.3 BK/WH	Control Signal Grounding
4	0.3 BK	Backlight Power Supply Grounding

High Mounted Brake Lamp

**D29 Wiring Harness Connector Pin Definition**

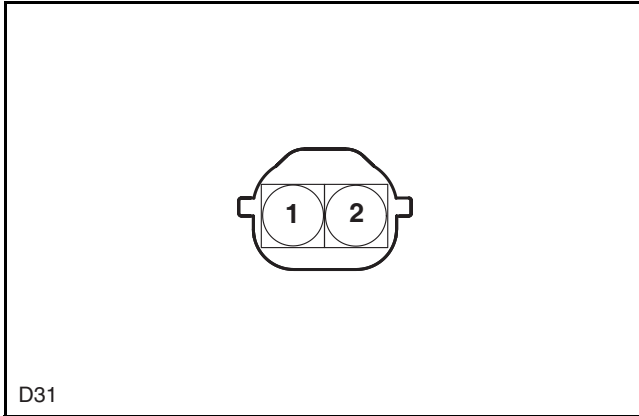
Pin No.	Wire Diameter/Color	Function
1	0.5 BK	Grounding
2	0.5 RD/BU	Positive

Rear Defroster Positive

**D30 Wiring Harness Connector Pin Definition**

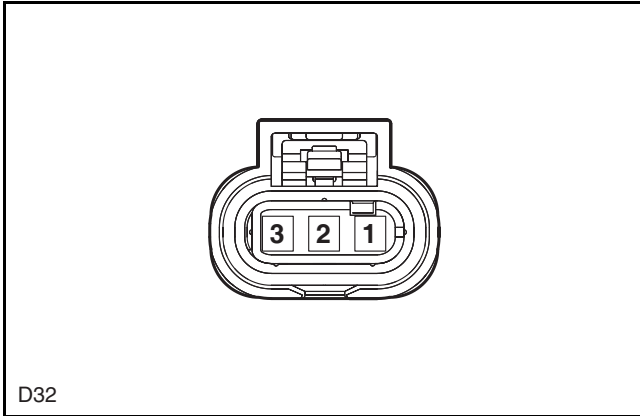
Pin No.	Wire Diameter/Color	Function
1	2.5 VT	Power Supply

Back Door Buzzer

**D31 Wiring Harness Connector Pin Definition**

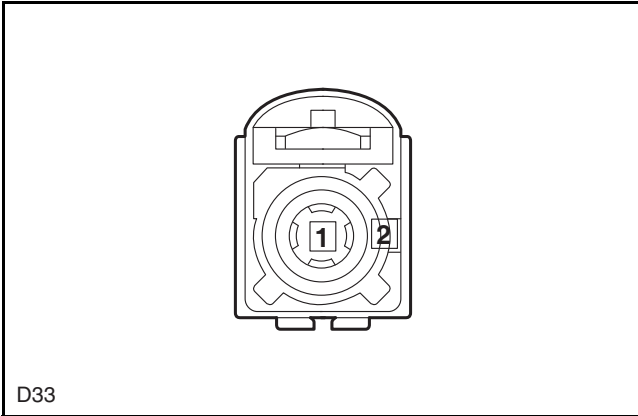
Pin No.	Wire Diameter/Color	Function
1	0.3 BK/YE	Buzzer Grounding
2	0.3 YE/GN	Buzzer Drive

Left License Plate Lamp

**D32 Wiring Harness Connector Pin Definition**

Pin No.	Wire Diameter/Color	Function
1	0.3 OG	Luggage Compartment Door Release Switch
2	0.5 RD/GN	License Plate Lamp Positive
3	0.3 BK	Grounding

HD Panoramic Rear Camera

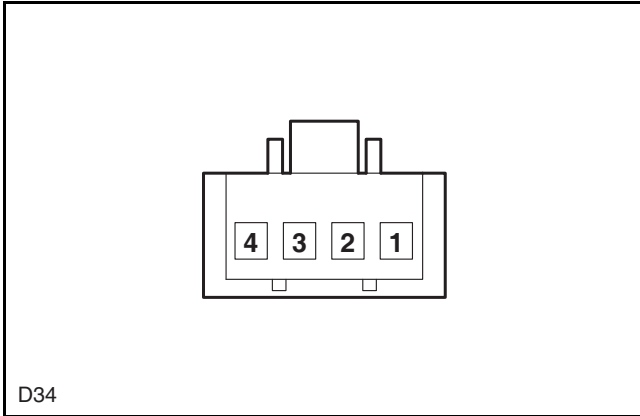


D33

D33 Wiring Harness Connector Pin Definition

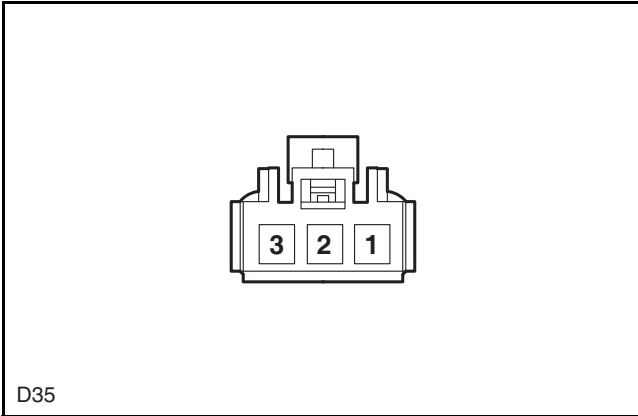
Pin No.	Wire Diameter/Color	Function
1	0.5 BU	Rear Camera
2	0.3 WH	Rear Camera Signal

Reversing Camera

**D34 Wiring Harness Connector Pin Definition**

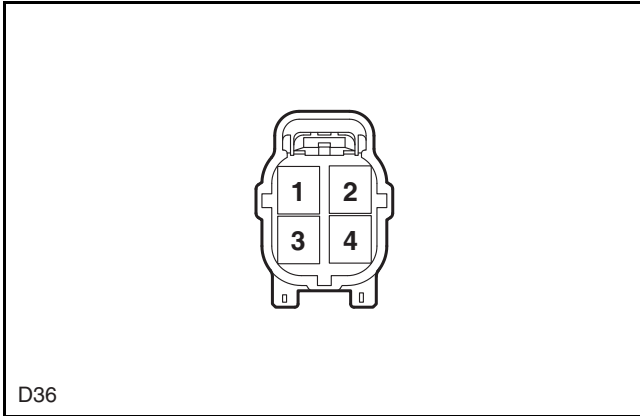
Pin No.	Wire Diameter/Color	Function
1	0.3 BU/RD	Camera Power Supply
2	0.3 GY/RD	Camera Power Supply Grounding
3	0.3 WH	Video Signal
4	0.3 BK	Video Signal Shield Grounding

Rear Wiper Motor

**D35 Wiring Harness Connector Pin Definition**

Pin No.	Wire Diameter/Color	Function
1	1.25 RD/WH	Rear Wiper Operation
2	0.5 BU	Output Return Signal
3	1.25 BK	Negative

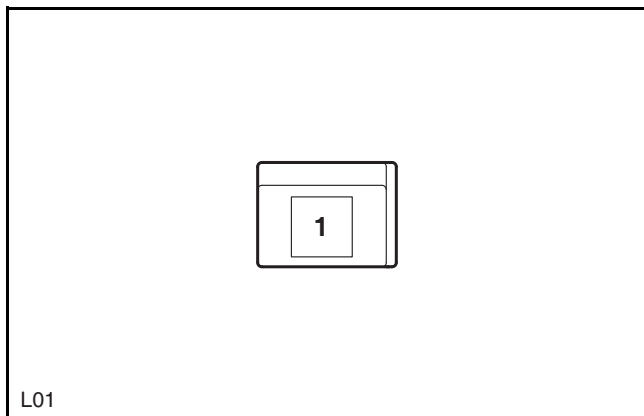
Reversing Camera

**D36 Wiring Harness Connector Pin Definition**

Pin No.	Wire Diameter/Color	Function
1	0.5 BK/RD	Back-up Lamp Positive
2	0.5 BK	Rear Position Lamp Negative
3	0.5 WH/RD	Left Brake Lamp
4	-	-

Roof Wiring Harness Connector (L--)

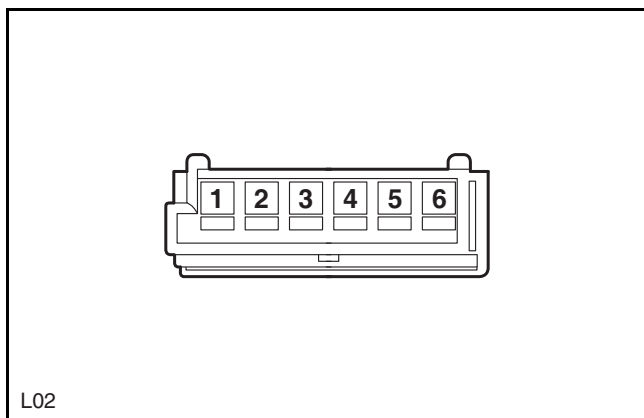
Front Windshield Heater - Left Negative



L01 Wiring Harness Connector Pin Definition

Pin No.	Wire Diameter/Color	Function
1	2.5 BK	Grounding

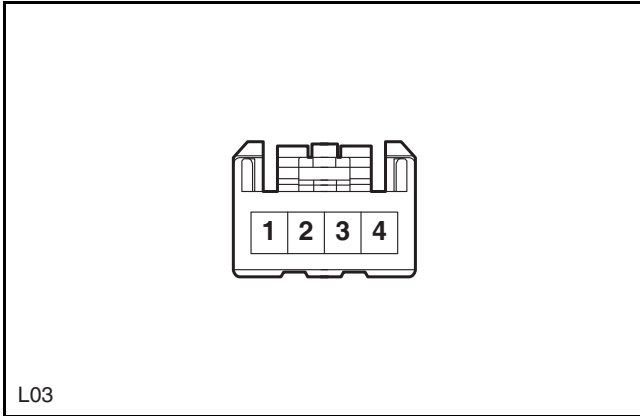
Left Rear Dome Lamp (Panoramic Sunroof)



L02 Wiring Harness Connector Pin Definition

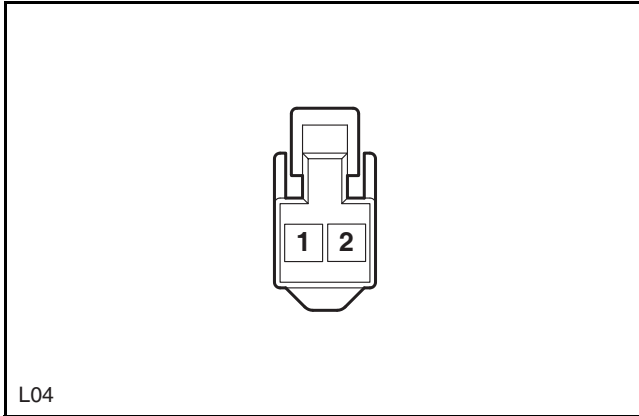
Pin No.	Wire Diameter/Color	Function
1	0.3 RD/BK	Map Lamp Power Supply
2	0.3 BK	Grounding
3	0.3 GN/RD	Left Map Lamp Input
4	0.3 BU/WH	Right Map Lamp Input
5	0.3 GN/BU	Left Map Lamp Signal Output
6	0.3 WH/YE	Right Map Lamp Signal Output

Rear Dome Lamp (Small Sunroof)

**L03 Wiring Harness Connector Pin Definition**

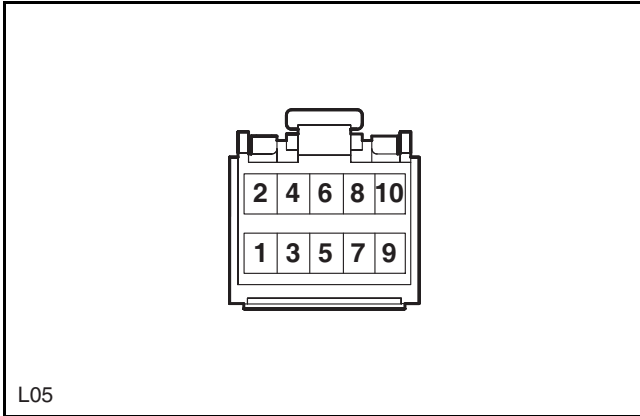
Pin No.	Wire Diameter/Color	Function
1	-	-
2	0.3 BK	Grounding
3	0.3 WH/BN	Map Lamp Control Signal
4	0.3 RD/BK	Map Lamp Power Supply

Vanity Lamp (Left)

**L04 Wiring Harness Connector Pin Definition**

Pin No.	Wire Diameter/Color	Function
1	0.3 BK	Grounding
2	0.3 RD/BK	Power Supply

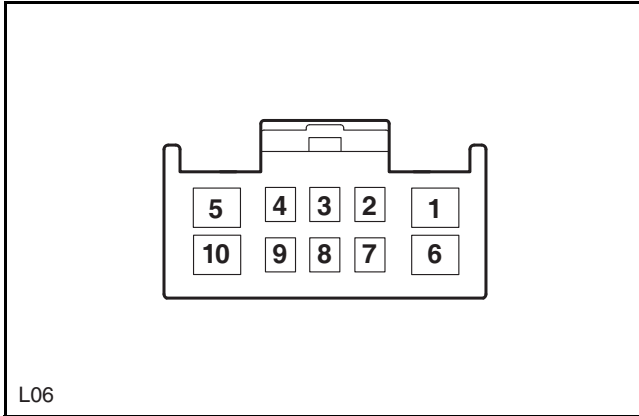
SOS Switch



L05 Wiring Harness Connector Pin Definition

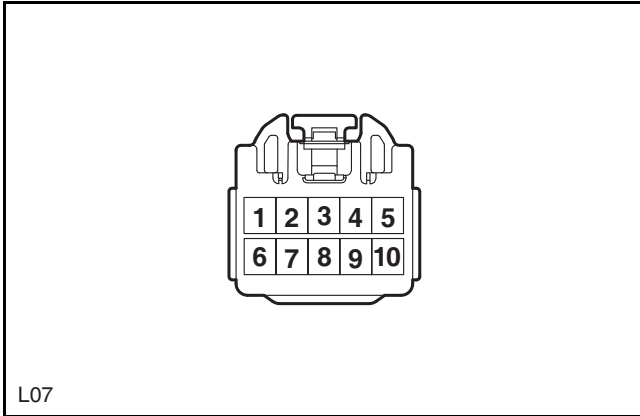
Pin No.	Wire Diameter/Color	Function
1	-	-
2	-	-
3	-	-
4	-	-
5	-	-
6	-	-
7	-	-
8	0.22 BK/YE	Speaker +
9	-	-
10	0.22 RD/WH	Speaker -

Sunroof Controller (Panoramic)

**L06 Wiring Harness Connector Pin Definition**

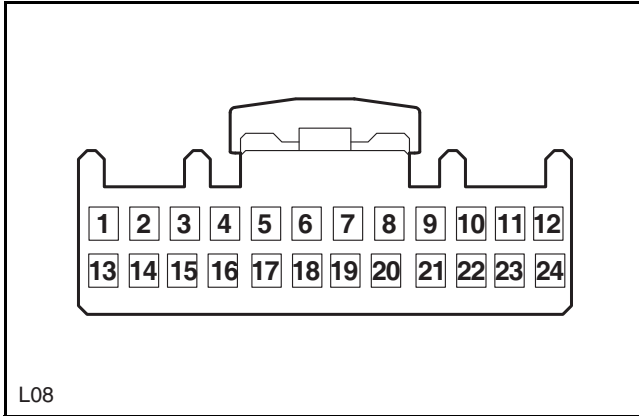
Pin No.	Wire Diameter/Color	Function
1	1.25 BK	Grounding
2	0.3 RD/GN	Sunroof Open Signal
3	0.3 BN	Sunroof Close Signal
4	-	-
5	2.0 RD/BK	Constant Power Supply
6	-	-
7	-	-
8	-	-
9	0.3 GN	LIN Line
10	0.3 YE/BK	Sunroof Tilt

Sunroof Controller (Normal)

**L07 Wiring Harness Connector Pin Definition**

Pin No.	Wire Diameter/Color	Function
1	0.5 BK	Switch Signal Grounding
2	0.5 GN/VT	IG1 Power Supply
3	0.3 GN	LIN Line
4	-	-
5	1.5 RD/BK	Constant Power Supply
6	1.25 BK	Grounding
7	0.3 RD/GN	Sunroof Open/Tilt Down
8	0.3 BN	Sunroof Close/Tilt Up
9	-	-
10	-	-

Front Dome Lamp + Sunroof

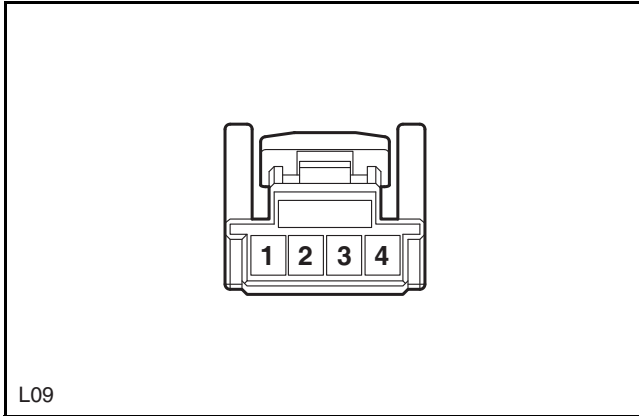


L08 Wiring Harness Connector Pin Definition

Pin No.	Wire Diameter/Color	Function
1	0.3 RD/BK	Map Lamp Power Supply
2	-	-
3	0.3 RD/YE	Backlight Power Supply
4	-	-
5	-	-
6	-	-
7	0.3 YE/BK	Sunroof Tilt Signal
8	0.3 RD/GN	Sunroof Open Signal Output
9	0.3 BN	Sunroof Close Signal Output
10	-	-
11	0.5 BK	Grounding
12	-	-
13	-	-
14	-	-
15	-	-
16	-	-
17	0.5 BK	Sunroof Button Signal Grounding
18	-	-
19	-	-
20	-	-
21	0.3 WH/BN	Map Lamp BCM Control Signal

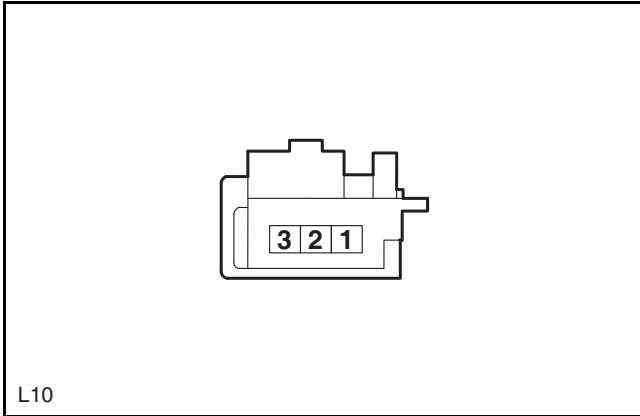
Pin No.	Wire Diameter/Color	Function
22	-	-
23	-	-
24	-	-

Microphone

**L09 Wiring Harness Connector Pin Definition**

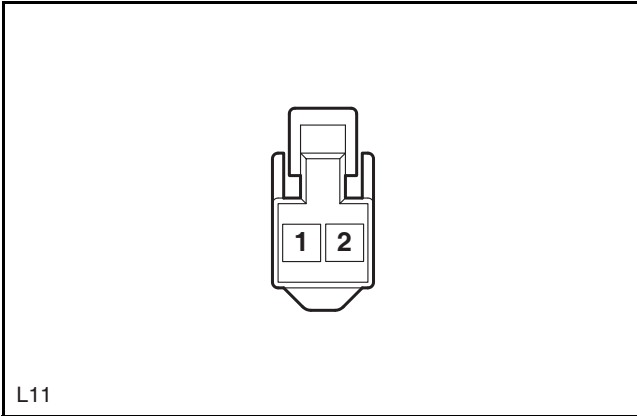
Pin No.	Wire Diameter/Color	Function
1	0.3 BU/GN	Driver Microphone Signal +
2	0.3 VT	Front Passenger Microphone Signal +
3	0.3 RD	Driver Microphone Signal Grounding
4	0.3 BK	Front Passenger Microphone Signal Grounding

Rain/Ambient Light Sensor

**L10 Wiring Harness Connector Pin Definition**

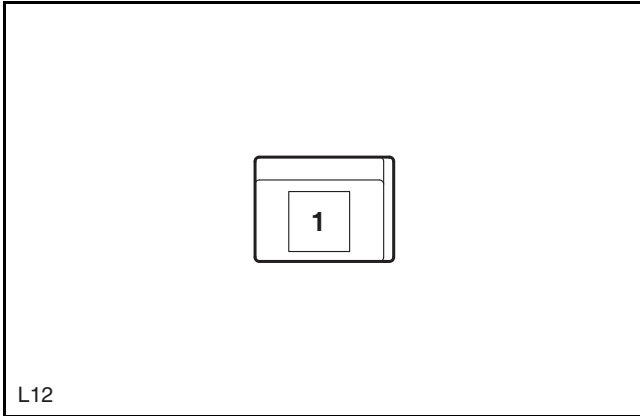
Pin No.	Wire Diameter/Color	Function
1	0.3 YE/WH	Constant Power Supply
2	0.3 BK	Grounding
3	0.3 PK	LIN

Vanity Lamp (Right)

**L11 Wiring Harness Connector Pin Definition**

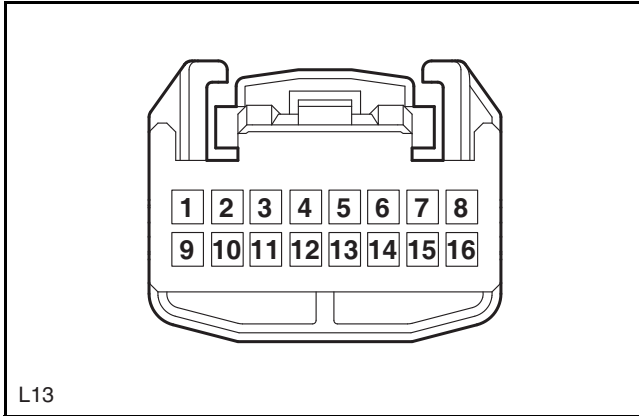
Pin No.	Wire Diameter/Color	Function
1	0.3 BK	Grounding
2	0.3 RD/BK	Power Supply

Right Front Windshield Heater - Negative

**L12 Wiring Harness Connector Pin Definition**

Pin No.	Wire Diameter/Color	Function
1	2.5 BK	Grounding

Lane Departure Controller

**L13 Wiring Harness Connector Pin Definition**

Pin No.	Wire Diameter/Color	Function
1	0.5 GN/VT	IG1 Power Supply
2	0.3 BU	CAN FD High
3	0.3 BU/YE	CAN FD Low
4	-	-
5	0.5 BK	Power Supply Grounding
6	-	-
7	-	-
8	-	-
9	-	-
10	0.3 WH	Private CAN FD High
11	0.3 WH/GN	Private CAN FD Low
12	-	-
13	-	-
14	-	-
15	-	-
16	-	-

Abbreviation List

Abbreviation	English Full Name	Chinese Name
A/C	Air Conditioning	空调
AAT	Ambient Air Temperature	大气温度
ABS	Anti-lock Brake System	防抱死制动系统
AM/FM	Amplitude Modulation/Frequency Modulation	调幅 / 调频
APP	Accelerator Pedal Position	加速踏板位置
ASR	Acceleration Slip Regulation	加速防滑控制系统
AT	Automatic Transmission	自动变速器
ATF	Automatic Transmission Fluid	自动变速器油
BCM	Body Control Module	车身控制模块
CAN	Controller Area Network	控制器局域网
CD	Compact Disc	CD
CHMSL	Center High Mounted Stop Lamp	中央高位制动灯
CKP	Crankshaft Position Sensor	曲轴位置传感器
CMP	Camshaft Position Sensor	凸轮轴位置传感器
CRK	Crank	曲轴
DDM	Driver Door Module	驾驶员门控模块
DLC	Data Link Connector	诊断接口
DOHC	Double Overhead Camshaft	双顶置凸轮轴
DTC	Diagnostic Trouble Code	故障代码
DVD	Digital Video Disk	DVD
EBD	Electric Brakeforce Distribution	电子制动力分配
ECM	Engine Control Module	发动机控制模块
ECT	Engine Coolant Temperature	发动机冷却液温度
EGR	Exhaust-Gas Recirculation	废气再循环
EOBD	European On Board Diagnostic	欧洲车载诊断系统
ESP	Electronic Stability Program	电子稳定程序
ETC	Electronic Throttle Control	电子节气门控制
EVAP	Evaporative Emission Control System	燃油蒸发排放系统
FWD	Front Wheel Drive	前轮驱动
GPS	Global Positioning System	全球定位系统

Abbreviation	English Full Name	Chinese Name
GVM	Gross Vehicle Mass	车辆总重量
HCU	Hydraulic Control Unit	液压控制单元
HFM	Hands Free Module	免提电话模块
HID	High Intensity Discharge	高强度放电
HO2S	Heated Oxygen Sensor	氧传感器
HVAC	Heating, Ventilation and Air Conditioning	暖风、通风和空调总成
I/P	Instrument Panel	仪表盘
IAC	Idle Air Control Valve	怠速空气控制阀
IAT	Intake Air Temperature	进气温度
ICU	Integrated Control Unit	集成控制单元
IPC	Instrument Panel Cluster	组合仪表
ISO	International Standards Organization	国际标准化组织
ISS	Input Shaft Speed	输入轴转速传感器
KS	Knock Sensor	爆震传感器
LED	Light Emitting Diode	发光二极管
LF	Left Front	左前
LIN	Local Interconnect Network	局部互连网络
LR	Left Rear	左后
MAF	Mass Air Flow	质量空气流量
MAP	Manifold Absolute Pressure	进气歧管绝对压力
MIL	Malfunction Indicator Lamp	故障指示灯
MP3	MPEG Audio Layer 3	MP3
MT	Manual Transmission	手动变速器
MTC	Manual Temperature Control	手动温度控制
MY	Model Year	车型年款
OBD-II	On Board Diagnostic II	第二代车载诊断系统
OEM	Original Equipment Manufacturer	原始设备制造商
PAM	Parking Aid Module	停车辅助模块
PCV	Positive Crankcase Ventilation	曲轴箱强制通风
PDC	Power Distribution Center	配电中心
PDM	Passenger Door Module	乘客门控模块

Abbreviation	English Full Name	Chinese Name
PIN	Personal Identification Number	个人身份号码
PWM	Pulse Width Modulation	脉宽调制
RF	Right Front	右前
RR	Right Rear	右后
SAE	Society of Automotive Engineers	美国汽车工程师学会
SAS	Steering Angle Sensor	转向角度传感器
SCCM	Steering Column Control Module	转向管柱控制模块
SDM	Supplemental Diagnostic Module	安全气囊控制模块
SFI	Sequential Fuel Injection	顺序燃油喷射
SOHC	Single Overhead Camshaft	单顶置凸轮轴
SRI	Service Reminder Indicator	维修提示指示灯
SRS	Supplemental Restraint System	安全气囊系统
TCC	Torque Converter Clutch	变矩器离合器
TCM	Transmission Control Module	变速器控制模块
TIR	Total Indicator Reading	百分表总读数
TPMS	Tire Pressure Monitoring System	轮胎压力监控系统
TPS	Throttle Position Switch	节气门位置开关传感器
TRS	Transmission Range Sensor	变速器档位传感器
TSB	Technical Service Bulletin	技术服务公报
TWC	Three-way Catalyst	三元催化转换剂
VFD	Vacuum Fluorescent Display	真空荧光显示器
VIN	Vehicle Identification Number	车辆识别码
VSS	Vehicle Speed Sensor	车速传感器
WSS	Wheel Speed Sensor	轮速传感器



CAUTION: For abbreviations not in this list, please refer to the New CS55PLUS Service Manual.

